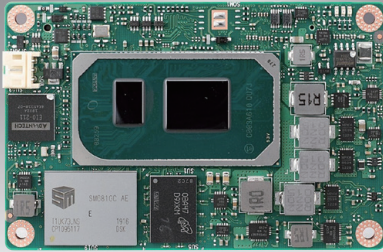


SOM-7583

11th Gen. Intel® Core™ Processor U-Series (Code Name: Tiger Lake-UP3) COM Express® Mini Type 10

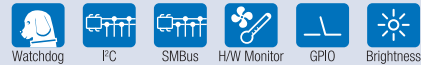
NEW



Features

- Up to 4Cores Intel Core Processor, Intel Iris Xe Graphics 96EUs
- Max. 16GB LPDDR4 onboard, IBEC support. 32/64GB NVMe SSD
- Super Speed I/O Expansion: USB3.2 Gen2(10Gbps), PCIe Gen3, SATAIII
- Extended Temp. -40~85 °C
- Supports iManager, Edge-AI Suite, DeviceOn

Software APIs:

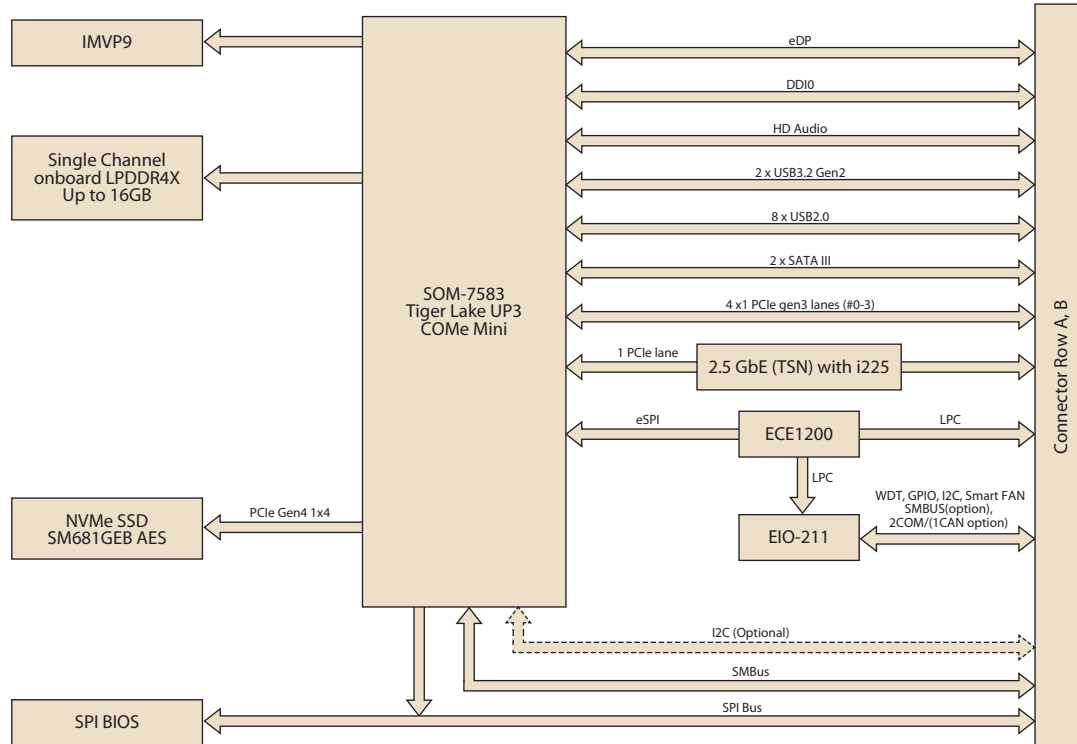


iManager WISE-DeviceOn

Specifications

Form Factor	Form Factor	COM Express Mini Module						
	Pin-out Type	COM Express R3.0 Type 10 compatible						
Processor System	CPU	Core™ i7-1185G7E	Core™ i5-1145G7E	Core™ i3-1115G4E	Celeron® 6305E	Core™ i7-1185GRE	Core™ i5-1145GRE	Core™ i3-1115GRE
	Base Frequency	2.8GHz	2.6GHz	3.0GHz	1.8GHz	2.8GHz	2.6GHz	3.0GHz
	Turbo Frequency	4.4GHz	4.1GHz	3.9GHz	N/A	4.4GHz	4.1GHz	3.9GHz
	Cores	4	4	2	2	4	4	2
	Cache	12 MB	8 MB	6 MB	4 MB	12 MB	8 MB	6 MB
	CPU TDP	28W	28W	28W	15W	28W	28W	28W
	Configurable TDP-up Frequency	15W/1.8GHz	15W/1.5GHz	15W/2.2GHz	N/A	15W/1.8GHz	15W/1.5GHz	15W/2.2GHz
	Configurable TDP-down Frequency	12W/1.2GHz	12W/1.1GHz	12W/1.7GHz	N/A	12W/1.2GHz	12W/1.1GHz	12W/1.7GHz
Memory	Technology	LPDDR4						
	Speed	up to 4266						
	ECC Support	IBEC supported by Industrial SKU						
	Onboard Memory	8GB or 16GB						
	SODIMM Memory	Not supported						
Graphics	Controller	Intel® Iris® Xe Graphics/Intel® UHD Graphics						
	Graphics Max Dynamic Frequency	1.35GHz	1.30GHz	1.25GHz	1.25GHz	1.35GHz	1.30GHz	1.25GHz
	2D&3D/HW Acceleration	HW Encode: Supports AVC, MPEG-2, HEVC, and VP9 HW Decode: Supports Direct3D* 9 Video API (DXVA2),Direct3D12 Video API,Intel Media SDK,MFT (Media Foundation Transform) filters,Intel VA API						
Display	VGA	Not supported						
	LCD	eDP: eDP1.4: 3840x2160 @ 60Hz, 30bpp Or 4096x2304 @ 60Hz, 24bpp						
	DDI	DDI port support configurable HDMI/DisplayPort						
		DisplayPort 1.4: 4096x2304 60Hz 36bpp; 5120x3200 60Hz 24bpp (with DSC: 5120x3200 120Hz 30bpp; 7680x4320 60Hz 30bpp)						
		HDMI 2.0b: 4Kx2K 48-60Hz 24bpp HDMI 1.4: 4Kx2K 24-30Hz 24bpp HDMI2.1 Can be supported using LSPCON (DP1.4 to HDMI2.1 protocol converter)						
Type C	DP 1.4 (option from USB Type-C); HDMI 2.0b; 1 port							
Multiple Display	Dual Display (DDI & eDP)							
Expansion	PCI Express x1 (Gen3)	1 PCIe x4, configurable to 4 PCIe x1						
Serial Bus	SMBus	Yes						
	I2C Bus	Yes						
Ethernet	Gigabit	Intel I225IT controller ; Speed: 10M / 100M / 1000M / 2.5G speeds						
	TSN	Support by I225						
I/O	SATA3.0	2 Ports (6Gbps)						
	USB3.2 (Gen2)	2 Ports (10 Gbps)						
	USB2.0	8 Ports (480 Mbps)						
	LPC	Yes						
	SPI Bus	Yes						
	GPIO	8-bit GPIO						
	Watchdog	65536 level, 0 ~ 65535 sec						
	CAN Bus	Optional						
	COM Port	2 Ports (2-Wire)						
	TPM	Intel fTPM						
Smart Fan	2 Ports: 1 port on COM module (Notice: the input voltage of fan is aligned to Vin); 1 port on carrier board							
Power	Type	ATX: Vin, VSB; AT: Vin						
	Supply Voltage	Vin: 8.5V ~ 20V; VSB: 4.75V ~ 5.25 V, RTC Battery: 2.0V ~ 3.3V						
Environment	Operating Temperature	Standard: 0 ~ 60 °C (32 ~ 140 °F)						
		Extend: -40 ~ 85 °C (-40 ~ 185 °F)						
	Storage Temperature	Standard: 0 ~ 60 °C (32 ~ 140 °F)						
		Extend: -40 ~ 85 °C (-40 ~ 185 °F)						
Humidity	Operating: 40 °C @ 95% relative humidity, non-condensing							
	Storage: 60 °C @ 95%relative humidity, non-condensing							
Vibration Resistance	3.5 Grms							
Mechanical	Dimensions	84 x 55 mm						

Block Diagram



Ordering Information

Part Number	CPU	Base Freq.	Maximum TDP	LLC	GFX Gen. 11	IBECC	USB4	On Board LPDDR4	NVMe SSD	LAN speed (max.)	vPro	Thermal Solution	Operating Temp
SOM-7583C7-S8A1	i7-1185G7E	1.8 GHz	28W	12MB	96EUs	-	N/A	16GB	64GB	2.5G	Y	Active	0 - 60 °C
SOM-7583C5-S5A1	i5-1145G7E	1.5 GHz	28W	8MB	80EUs	-	N/A	8GB	32GB	2.5G	Y	Active	0 - 60 °C
SOM-7583C3-U2A1	i3-1115G4E	2.2 GHz	28W	6MB	48EUs	-	N/A	8GB	32GB	2.5G	-	Active	0 - 60 °C
SOM-7583CR-S8A1	Celeron 6305E	1.8 GHz	15W	4MB	48EUs	-	N/A	8GB	32GB	2.5G	-	Active	0 - 60 °C
SOM-7583R7X-S8A1	i7-1185GRE	1.8 GHz	28W	12MB	96EUs	Y	N/A	16GB i-grade	64GB	2.5G	Y	Active	-40 - 85 °C
SOM-7583R5X-S5A1	i5-1145GRE	1.5 GHz	28W	8MB	80EUs	Y	N/A	8GB i-grade	32GB	2.5G	Y	Active	-40 - 85 °C
SOM-7583R3X-U2A1	i3-1115GRE	2.2 GHz	28W	6MB	48EUs	Y	N/A	8GB i-grade	32GB	2.5G	-	Active	-40 - 85 °C
SOM-7583C7A-S8A1	i7-1185G7E	1.8 GHz	28W	12MB	96EUs	-	Option*	16GB	64GB	2.5G	Y	Active	0 - 60 °C

* SOM-MZ10 is not included in SOM-7583C7A-S8A1, need to be purchased from optional accessories.
 * Any other sku or combination is project based support. Please contact sales for details.

Development Board

Part No.	Description
SOM-DB5830-00A2	COMe R3.0 Devel. Board Type6/Type10. Rev A2

Optional Accessories

Part No.	Description
1970004886N001	SOM-7583 semi-cooler
SOM-MZ10-00A1	SOM-MZ10 USB4 card

Packing List

Part No.	Description	Quantity
1970004887T001	SOM-7583 heat spreader	1

Embedded OS

OS	Part No.	Description
Win10	20706WX9EM0025	img W10 19EL SOM-7583 64b 1809 ENU (Audio_NV)
Win10	20706WX9HM0021	img W10 19HL SOM-7583 64b 1809 ENU (Audio_NV)
Win10	20706WX9VM0018	img W10 19VL SOM-7583 64b 1809 ENU (Audio_NV)

X-ON Electronics

Largest Supplier of Electrical and Electronic Components

Click to view similar products for [System-On-Modules - SOM category](#):

Click to view products by [Advantech manufacturer](#):

Other Similar products are found below :

[COMX-CORE-310](#) [PICOIMX6U10R1GBNI4G](#) [PICOIMX6U10R1GBNI4GBW](#) [MC27561-TIGER](#) [MC27561-LION](#) [CC-WMX6UL-SMPL](#)
[BD63725BEFV-EVK-002](#) [A00150](#) [BKCM11EBV58W](#) [BKCM11EBV716W](#) [BKCM11EBI716W](#) [BKCM11EBC4W](#)
[Nit8M_Plus_SOM_2r16eWB](#) [A20-SOM-EVB](#) [A13-SOM-256](#) [RK3188-SOM](#) [RK3188-SOM-4GB](#) [RXCA10S027PF34-SOM00L](#)
[RXCA10S066PF34-SOM00T](#) [A20-SOM-N8GB](#) [PER-TAICX-A10-001](#) [PER-TAIX2-A10-2280](#) [EDL-mPCIe-MA2485](#) [SOM-5897C7-U0A1E](#)
[SOM-6872VC-U9A1](#) [SOM-6883C7-S8A1](#) [SOM-6883C3-U2A1](#) [SOM-6883CR-S8A1](#) [SOM-6896C7-U2A1E](#) [SOM-7567CM8CB-U0A1](#)
[SOM-7583C7-S8A1](#) [SOM-7583CR-S8A1](#) [SOM-7583C3-U2A1](#) [SCM180-Dual-2G_Industrial](#) [3354-HX-X38-RC](#) [5728-PJ-4AA-RC](#) [5728-PJ-](#)
[4AA-RI](#) [6455-JE-3X5-RC](#) [20-101-0405](#) [20-101-0446](#) [20-101-0454](#) [CC-WMX-FS7D-NN](#) [G400D-SM-400](#) [G400S-SM-480](#) [IFC6502-00-P1](#)
[IFC67A1-00-P1](#) [IFC6701-00-P1](#) [BKCM11EBI38W](#) [BKCM11EBI58W](#) [iW-G24M-CU2F-4E001G-S008G-LIG](#)