

# A/AH ATTENUATORS

SMA, up to 18GHz, 2 Watts

## SPECIFICATIONS:

Models: A, AH

**RoHS**  
Compliant

**AEROFLEX**  
A passion for performance.

### Electrical:

Frequency Range \_\_\_\_\_ DC - 18 GHz  
 Standard Freq. Values \_\_\_\_\_ 2.5, 6, 18 GHz  
 Standard dB Values \_\_\_\_\_ 0-10, 12, 15, 20, 30 & 40 dB  
In 1 dB Increments

Attenuation Accuracy \_\_\_\_\_ DC - 18 GHz  
 0 - 6 dB \_\_\_\_\_ ±0.3 dB  
 7 - 20 dB \_\_\_\_\_ ±0.5 dB  
 21 - 30 dB \_\_\_\_\_ ±0.75 dB  
 40 dB \_\_\_\_\_ ± 1.5 dB

VSWR \_\_\_\_\_  
 DC - 4 GHz \_\_\_\_\_ 1.15:1 Max.  
 4 - 8 GHz \_\_\_\_\_ 1.20:1 Max.  
 8 - 12.4 GHz \_\_\_\_\_ 1.25:1 Max.  
 12.4 - 18 GHz \_\_\_\_\_ 1.35:1 Max.

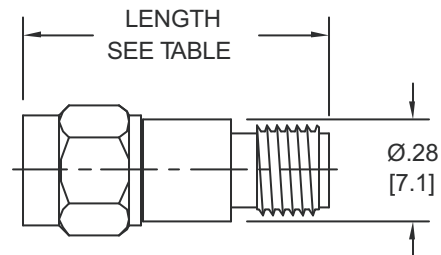
Input Power \_\_\_\_\_ 2 Watts Avg. @ 25°C  
Derated Linearly to 0.5 Watts @ +125°C

Peak Power \_\_\_\_\_ 250 Watts Max.  
(5uSec Pulse, .05% Duty Cycle)

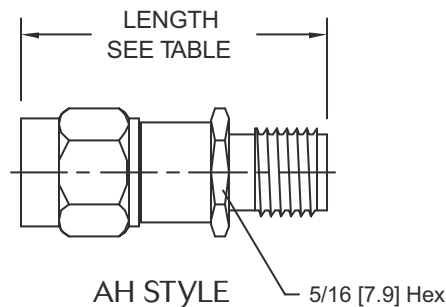
Impedance \_\_\_\_\_ 50 Ohms  
 Operating Temp Range \_\_\_\_\_ -65°C to +125°C

### Mechanical:

SMA Connectors \_\_\_\_\_ Passivated Stainless Steel  
Mates with MIL-STD-348  
 Conductors \_\_\_\_\_ Gold Plated Beryllium Copper



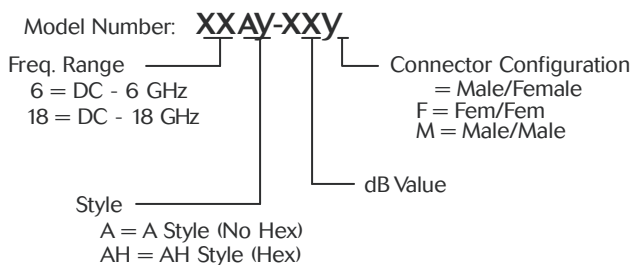
A STYLE



AH STYLE

Connector Configuration	LENGTH			
	0 - 12 dB		13 - 40 dB	
	Inches	Millimeters	Inches	Millimeters
Male/Female	.86 ±.03	[21.8 ±0.8]	.99 ±.03	[25.1 ±0.8]
Male/Male	.98 ±.03	[24.9 ±0.8]	1.11 ±.03	[28.2 ±0.8]
Female/Female	.87 ±.03	[22.1 ±0.8]	1.00 ±.03	[25.4 ±0.8]

## HOW TO ORDER:



## Ordering Examples:

Model Number: **18A-20**  
 DC - 18 GHz; 20 dB; SMA - Male/Fem; Style A

Model Number: **18AH-6F**  
 DC - 18 GHz; 6 dB; SMA - Fem/Fem; Style AH

Model Number: **6AH-3M**  
 DC - 6 GHz; 3 dB; SMA - Male/Male; Style AH

Model Number: **6A-03**  
 DC - 6 GHz; 3 dB; SMA - Male/Fem; Style A

Note: Dimensions in Brackets are Expressed in Millimeters and are for Reference Only.  
 \*Other dB values, units that operate over a more specific frequency band and/or offer very low return loss (VSWR); gold plated units and/or connectors optimized for RF leakage also available.

18A-ATT: REV L (M)

**AEROFLEX**  
INMET

Aeroflex / Inmet, Inc. • 300 Dino Drive, Ann Arbor, MI 48103 • U.S.A.  
 888-244-6638 or 734-426-5553 • FAX: 734-426-5557  
 www.aeroflex.com/inmet • inmet-sales@eroflex.com

## X-ON Electronics

Largest Supplier of Electrical and Electronic Components

*Click to view similar products for [Attenuators](#) category:*

*Click to view products by [Aeroflex](#) manufacturer:*

Other Similar products are found below :

[MAATCC0010](#) [HMC305SLP4ETR](#) [MAAD-009195-000100](#) [MAADSS0012TR](#) [TGL4201-02](#) [ATN3590-15](#) [20-50TPC](#) [D10AA5Z4](#)  
[HMC346LP3TR](#) [18AH-01](#) [18AH-03](#) [18AH-08](#) [ATN3590-09](#) [20-50RP](#) [MASW-008322-000000](#) [MAAVSS0004](#) [PCAF-10](#) [EXB-](#)  
[24AT9AR5X](#) [ATN3580-06](#) [HMC539ALP3ETR](#) [HMC291SETR](#) [HMC941A-SX](#) [HMC1119LP4METR](#) [F1977NBGI8](#) [HMC802ALP3ETR](#)  
[HMC-VVD106-SX](#) [WA04P006XCTL](#) [SKY12408-321LF](#) [TGL2226](#) [WA04P005XBTL](#) [EXB-14AT3AR3X](#) [HMC-VVD104-SX](#) [SKY12236-](#)  
[11](#) [MAATSS0018TR-3000](#) [HMC656-SX](#) [WA04P001XBTL](#) [MAAV-007941-TR3000](#) [WA04P004XBTL](#) [HMC425ALP3ETR](#)  
[WA04P002XBTL](#) [MAT10010](#) [MAT10040](#) [EXB-24N182JX](#) [EXB-24N181JX](#) [EXB-24N183JX](#) [20-50TPR](#) [HMC941A](#) [PAT0816-C-0DB-T5](#)  
[PAT0816-C-8DB-T5](#) [PAT0816-C-3DB-T5](#)