

A-AH ATTENUATORS

SMA, up to 23 GHz, 2 Watts

RoHS
Compliant

AEROFLEX
A passion for performance.

SPECIFICATIONS: _____ LENGTH _____

Models: A, AH

Electrical:

Frequency Range _____ DC – 23.0 GHz
 Standard Freq. Values 2.5, 4, 6, 12.4, 18 & 23 GHz
 Standard dB Values _____ 0–10, 12, 15, 20 & 30 dB
In 1 dB Increments

Attenuation Accuracy DC–18 GHz 18–23 GHz
 0 – 6 dB _____ ±0.3 dB _____ ±0.4 dB
 7 – 20 dB _____ ±0.5 dB _____ ±0.6 dB
 21 – 30 dB _____ ±0.75 dB _____ ±0.8 dB

VSWR

@ 30 MHz _____ 1.05:1 Max.
 DC – 4 GHz _____ 1.15:1 Max.
 4 – 8 GHz _____ 1.20:1 Max.
 8 – 12.4 GHz _____ 1.25:1 Max.
 12.4 – 18 GHz _____ 1.35:1 Max.
 18 – 23 GHz _____ 1.40:1 Max.

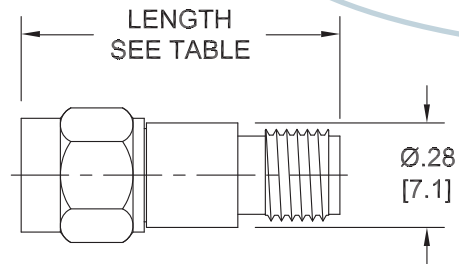
Input Power _____ 2 Watts Avg. @ 25°C
DERATED LINEARLY TO 0.5 WATTS @ +125°C

Peak Power _____ 250 Watts Max.
(5uSec Pulse, .05% Duty Cycle)

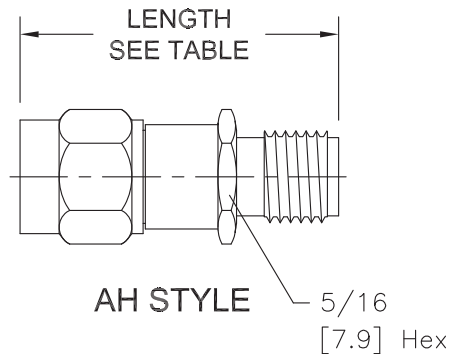
Impedance _____ 50 Ohms
 Operating Temp Range _____ -65°C to +125°C

Mechanical:

SMA Connectors _____ Passivated Stainless Steel
Mates with MIL-STD-348
 Conductors _____ Gold Plated Beryllium Copper



A STYLE



AH STYLE

Connector Configuration	LENGTH			
	0 – 12 dB		13 – 30 dB	
	Inches	Millimeters	Inches	Millimeters
Male/Female	.86 ±.03	[21.8 ±0.8]	.99 ±.03	[25.1 ±0.8]
Male/Male	.98 ±.03	[24.9 ±0.8]	1.11 ±.03	[28.2 ±0.8]
Female/Female	.87 ±.03	[22.1 ±0.8]	1.00 ±.03	[25.4 ±0.8]

HOW TO ORDER:

Model Number: **XXAY-XXY**

Freq. Range _____
 6 = DC–6 GHz
 12 = DC–12.4 GHz
 23 = DC–23 GHz

Connector Config.
 F = Male/Female
 F = Fem/Fem
 M = Male/Male

dB Value _____

Style _____
 A = A Style (No Hex)
 AH = AH Style (Hex)

Ordering Examples:

Model Number: **18A-20**
 DC–18 GHz; 20 dB; SMA – Male/Fem; Style A

Model Number: **12AH-6F**
 DC–12.4 GHz; 6 dB; SMA – Fem/Fem; Style AH

Model Number: **6AH-3M**
 DC–6 GHz; 3 dB; SMA – Male/Male; Style AH

Model Number: **23A-30**
 DC–23 GHz; 30 dB; SMA – Male/Fem; Style A

Note: Dimensions in Brackets are Expressed in Millimeters and are for Reference Only.
 Design specifications are subject to change without notice.
 Contact factory for technical specifications before purchasing or use.

23A-ATT ; REV M

23A-ATT ; REV M



Aeroflex / Inmet, Inc. • 300 Dino Drive, Ann Arbor, MI 48103 • U.S.A.
 888-244-6638 or 734-426-5553 • FAX: 734-426-5557
 www.aeroflex-inmet.com • inmet-sales@eroflex.com

X-ON Electronics

Largest Supplier of Electrical and Electronic Components

Click to view similar products for [Attenuators](#) category:

Click to view products by [Aeroflex](#) manufacturer:

Other Similar products are found below :

[MAATCC0010](#) [HMC305SLP4ETR](#) [MAAD-009195-000100](#) [MAADSS0012TR](#) [TGL4201-02](#) [ATN3590-15](#) [20-50TPC](#) [D10AA5Z4](#)
[HMC346LP3TR](#) [18AH-01](#) [18AH-03](#) [18AH-08](#) [ATN3590-09](#) [20-50RP](#) [MASW-008322-000000](#) [MAAVSS0004](#) [PCAF-10](#) [EXB-](#)
[24AT9AR5X](#) [ATN3580-06](#) [HMC539ALP3ETR](#) [HMC291SETR](#) [HMC941A-SX](#) [HMC1119LP4METR](#) [F1977NBGI8](#) [HMC802ALP3ETR](#)
[HMC-VVD106-SX](#) [WA04P006XCTL](#) [SKY12408-321LF](#) [TGL2226](#) [WA04P005XBTL](#) [EXB-14AT3AR3X](#) [HMC-VVD104-SX](#) [SKY12236-](#)
[11](#) [MAATSS0018TR-3000](#) [HMC656-SX](#) [WA04P001XBTL](#) [MAAV-007941-TR3000](#) [WA04P004XBTL](#) [HMC425ALP3ETR](#)
[WA04P002XBTL](#) [MAT10010](#) [MAT10040](#) [EXB-24N182JX](#) [EXB-24N181JX](#) [EXB-24N183JX](#) [20-50TPR](#) [HMC941A](#) [PAT0816-C-0DB-T5](#)
[PAT0816-C-8DB-T5](#) [PAT0816-C-3DB-T5](#)