

DC BLOCKS TYPE N

10 MHz - 18 GHz 200 VOLTS



MODELS: 8046, 8047, 8048, 8049, 8050, 8051, 8052, 8053, 8054

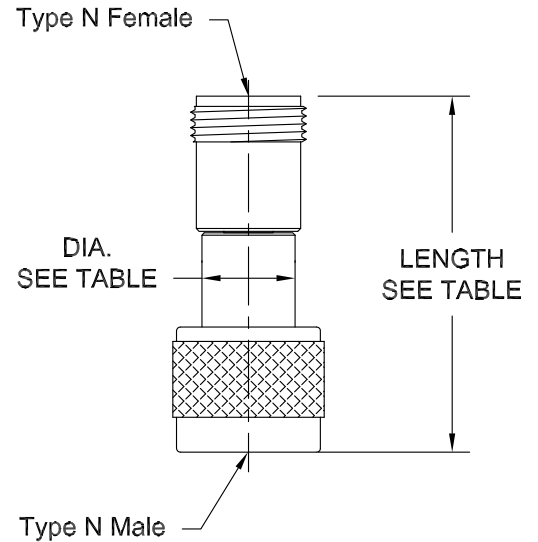
SPECIFICATIONS:

Electrical:

Frequency Range _____ 10 MHz – 18 GHz
 VSWR _____ 1.35:1 Max.
 Impedance _____ 50 Ohms
 Insertion Loss _____ 0.60 dB Max.
 Voltage Rating _____ 200 Volts Max.
 Operating Temp. Range _____ -65°C to +125°C

Mechanical:

Type N Connectors _____ Passivated Stainless Steel
Mates with MIL-STD-348
 Conductors _____ Gold Plated Beryllium Copper
 Housings:
 Inner Only Blocks _____ Passivated Stainless Steel
 Outer and Inner/Outer Blocks _____ High Temperature Plastic



Model Shown **8047**



TABLE					
MODEL NUMBER	BLOCK TYPE	CONN. CONFIG.	WEIGHT GRAMS MAX.	DIAMETER	LENGTH
8046	INNER ONLY	MALE/FEMALE	65.6	ø.63 [16.0]	1.76 ±.03 [44.7 ±0.8]
8047	OUTER ONLY		50.9	ø.50 [12.7]	1.91 ±.03 [48.5 ±0.8]
8048	INNER-OUTER	FEMALE/FEMALE	56.6	ø.56 [14.2]	1.99 ±.03 [50.6 ±0.8]
8049	INNER ONLY		44.4	ø.50 [12.7]	
8050	OUTER ONLY		69.7	ø.56 [14.2]	
8051	INNER-OUTER	MALE/MALE	57.5	ø.50 [12.7]	1.83 ±.03 [46.5 ±0.8]
8052	INNER ONLY		57.5	ø.50 [12.7]	
8053	OUTER ONLY		57.5	ø.50 [12.7]	
8054	INNER-OUTER				

Note: Dimensions in Brackets are Expressed in Millimeters and are for Reference Only.
 Design specifications are subject to change without notice.
 Contact factory for technical specifications before purchasing or use.

X-ON Electronics

Largest Supplier of Electrical and Electronic Components

Click to view similar products for [aeroflex](#) manufacturer:

Other Similar products are found below :

[69A-30-11](#) [1444-2](#) [57-40-33](#) [980-2](#) [40-3-34](#) [M1406A](#) [3M-6](#) [3M-40](#) [4H-3](#) [ACT4404N-201](#) [1N4744A](#) [18A-05](#) [18A-04](#) [23A-03](#) [5085](#) [18A-06](#) [JANTX1N6642U](#) [18B10W-06](#) [1N5313-1JANTX](#) [18A-30](#) [PPT1250-400-50R0J](#) [JANS1N6638US](#) [JANTXV2N6301](#) [6AH-15](#) [JANTXV2N3715](#) [JANTX1N4150-1](#) [6AH-10](#) [18A-10](#) [6AH-30](#) [JANTX2N2222AUB](#) [18AH-20](#) [40AH-03](#) [JANTX1N5524B-1](#) [JAN1N752AUR-1](#) [A3WH09-5R](#) [PCA-3](#) [PCAF-10](#) [JANTXV1N6638U](#) [18AH-00](#) [JANTXV1N827-1](#) [18AH-04](#) [18AH-08](#) [PPA20-5](#) [JANTX2N3715](#) [JANTXV1N4106UR-1](#) [18AH-09](#) [PCAF-16](#) [PCAF-3](#) [40AH-10](#) [18AH-07](#)