

DC BLOCKS TYPE N

10 MHz - 18 GHz 200 VOLTS



MODELS: 8046, 8047, 8048, 8049, 8050, 8051, 8052, 8053, 8054

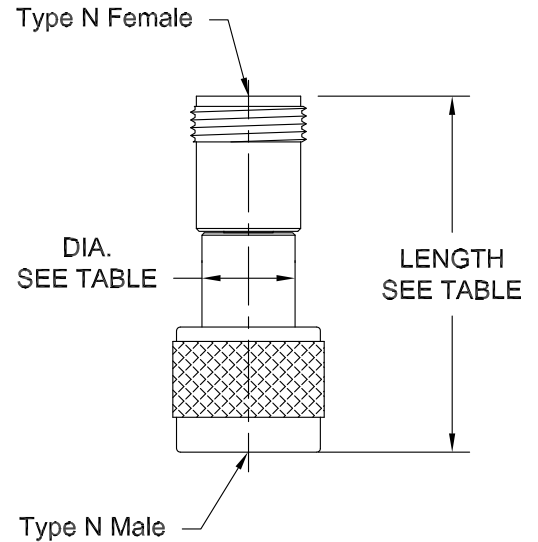
SPECIFICATIONS:

Electrical:

Frequency Range _____ 10 MHz – 18 GHz
 VSWR _____ 1.35:1 Max.
 Impedance _____ 50 Ohms
 Insertion Loss _____ 0.60 dB Max.
 Voltage Rating _____ 200 Volts Max.
 Operating Temp. Range _____ -65°C to +125°C

Mechanical:

Type N Connectors _____ Passivated Stainless Steel
Mates with MIL-STD-348
 Conductors _____ Gold Plated Beryllium Copper
 Housings:
 Inner Only Blocks _____ Passivated Stainless Steel
 Outer and Inner/Outer Blocks _____ High Temperature Plastic



Model Shown **8047**



TABLE					
MODEL NUMBER	BLOCK TYPE	CONN. CONFIG.	WEIGHT GRAMS MAX.	DIAMETER	LENGTH
8046	INNER ONLY	MALE/ FEMALE	65.6	ø.63 [16.0]	1.76 ±.03 [44.7 ±0.8]
8047	OUTER ONLY		50.9	ø.50 [12.7]	1.91 ±.03 [48.5 ±0.8]
8048	INNER- OUTER	FEMALE/ FEMALE	56.6	ø.56 [14.2]	1.99 ±.03 [50.6 ±0.8]
8049	INNER ONLY		44.4	ø.50 [12.7]	
8050	OUTER ONLY		69.7	ø.56 [14.2]	
8051	INNER- OUTER	MALE/ MALE	57.5	ø.50 [12.7]	1.83 ±.03 [46.5 ±0.8]
8052	INNER ONLY		57.5	ø.50 [12.7]	
8053	OUTER ONLY		57.5	ø.50 [12.7]	
8054	INNER- OUTER				

Note: Dimensions in Brackets are Expressed in Millimeters and are for Reference Only.
 Design specifications are subject to change without notice.
 Contact factory for technical specifications before purchasing or use.

X-ON Electronics

Largest Supplier of Electrical and Electronic Components

Click to view similar products for [Test Accessories - Other](#) category:

Click to view products by [Aeroflex](#) manufacturer:

Other Similar products are found below :

[AO1026](#) [AO1035](#) [AO1051](#) [AO1059](#) [149118](#) [C20](#) [RS40](#) [RS41](#) [AO1030](#) [AO1032](#) [AO1036](#) [AO1058](#) [4742](#) [KTS288540](#) [00415](#) [00163](#)
[046450](#) [GPR10](#) [ADPTR-HDV](#) [VS-AVT-C02-L03](#) [VS-AVT-CABLE-04](#) [VS-AVT-CABLE-16](#) [VS-AVT-CABLE-20](#) [VS-AVT-CABLE-30](#)
[VS-CKP14-6](#) [VS-CKP4-000](#) [VS-AVT2-C02L03](#) [VS-AVT2-C08L10](#) [CKSB1-00](#) [CKSB6-2](#) [CKSB10-8](#) [GP73800080](#) [MPT-VF](#) [98-CAL020](#)
[LSP08-RTS](#) [1-1437358-1](#) [4408 POMONA](#) [AX-904](#) [DME D110 T1](#) [LMLH 50](#) [1508-POM](#) [00836](#) [85392-12](#) [207P18.2222.F](#) [CR-31](#) [7708](#)
[ST18/SMAM/SMAM/72](#) [CT2299](#) [C700](#) [34192A](#)