

AHC ATTENUATORS

SMA, 6 GHz, 2 Watts

SPECIFICATIONS:

Models: AHC

RoHS
Compliant

AEROFLEX
A passion for performance.

Electrical:

Frequency Range _____ DC - 6.0 GHz

Standard dB Values _____ 0 - 10, 12, 15, 20, 30 & 40 dB

Attenuation Accuracy:

0 - 10 dB _____ ±0.5 dB

12, 15, 20 dB _____ ±0.7 dB

30 dB _____ ±0.9 dB

40 dB _____ ±1.5 dB

VSWR _____ 1.20:1 Max.

Input Power _____ 2 Watts Avg. @ 25°C

Derated Linearly to 1.1 Watts at +85°C

Impedance _____ 50 Ohms

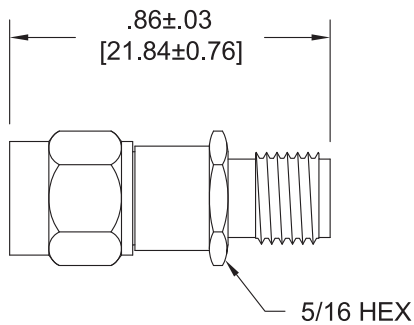
Operating Temp Range _____ -20°C to +85°C

Mechanical:

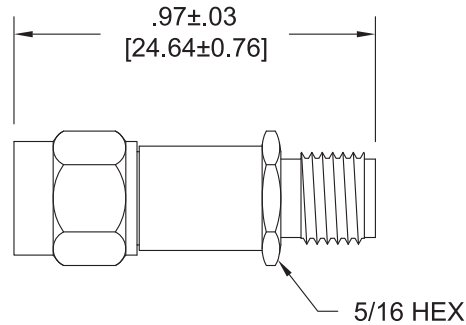
SMA Connectors _____ Passivated Stainless Steel

Mates with MIL-STD-348

Conductors _____ Gold Plated Beryllium Copper



0-12, 15 & 20dB



30 & 40dB

HOW TO ORDER:

Model Number: AHC-XX

dB Value

Ordering Examples:

Model Number: AHC-3
DC - 6 GHz; 3 dB; SMA - Male/Fem

Model Number: AHC-10
DC - 6 GHz; 10 dB; SMA - Male/Fem

Note: Dimensions in Brackets are Expressed in Millimeters and are for Reference Only.
Design specifications are subject to change without notice.
Contact factory for technical specifications before purchasing or use.

AHC-ATT: REV E

AEROFLEX
INMET

Aeroflex / Inmet, Inc. • 300 Dino Drive, Ann Arbor, MI 48103 • U.S.A.
888-244-6638 or 734-426-5553 • FAX: 734-426-5557
www.aeroflex.com/inmet • inmet-sales@eroflex.com

X-ON Electronics

Largest Supplier of Electrical and Electronic Components

Click to view similar products for [Attenuators](#) category:

Click to view products by [Aeroflex](#) manufacturer:

Other Similar products are found below :

[MAATCC0010](#) [HMC305SLP4ETR](#) [MAAD-009195-000100](#) [MAADSS0012TR](#) [TGL4201-02](#) [ATN3590-15](#) [20-50TPC](#) [D10AA5Z4](#)
[HMC346LP3TR](#) [18AH-01](#) [18AH-03](#) [18AH-08](#) [ATN3590-09](#) [20-50RP](#) [MASW-008322-000000](#) [MAAVSS0004](#) [PCAF-10](#) [EXB-](#)
[24AT9AR5X](#) [ATN3580-06](#) [HMC539ALP3ETR](#) [HMC291SETR](#) [HMC941A-SX](#) [HMC1119LP4METR](#) [F1977NBGI8](#) [HMC802ALP3ETR](#)
[HMC-VVD106-SX](#) [WA04P006XCTL](#) [SKY12408-321LF](#) [TGL2226](#) [WA04P005XBTL](#) [EXB-14AT3AR3X](#) [HMC-VVD104-SX](#) [SKY12236-](#)
[11](#) [MAATSS0018TR-3000](#) [HMC656-SX](#) [WA04P001XBTL](#) [MAAV-007941-TR3000](#) [WA04P004XBTL](#) [HMC425ALP3ETR](#)
[WA04P002XBTL](#) [MAT10010](#) [MAT10040](#) [EXB-24N182JX](#) [EXB-24N181JX](#) [EXB-24N183JX](#) [20-50TPR](#) [HMC941A](#) [PAT0816-C-0DB-T5](#)
[PAT0816-C-8DB-T5](#) [PAT0816-C-3DB-T5](#)