

# ATTENUATOR CHIP

**DC - 18 GHz  
PCAAW**



MODELS: PCAA-W-X, PCAA-W-TX, PCAA-W-HX, PCAA-W-GX

## SPECIFICATIONS:

### Electrical:

Frequency Range \_\_\_\_\_ DC - 18 GHz  
 Nominal Impedance \_\_\_\_\_ 50 Ohms  
 Standard dB Values \_\_\_\_\_ 0 thru 20 dB  
 Attenuation Accuracy (dB)

dB Value	DC-4 GHz	4-8 GHz	8-12.4 GHz	12.4-18 GHz
0	+0.5/-0	+0.5/-0	+0.5/-0	+0.5/-0
1-3	±0.5	±0.5	±0.5	±0.5
4-6	±0.5	±0.5	±0.5	±0.75
7-10	±0.5	±0.5	±0.75	±1.00
11-15	±0.75	+0.5/-3	+0.5/-4	
16-20	±1.00	+0.5/-4		

### VSWR

DC - 4 GHz \_\_\_\_\_ 1.25:1 Max.  
 4 - 8 GHz \_\_\_\_\_ 1.35:1 Max.  
 8 - 18 GHz \_\_\_\_\_ 1.50:1 Max.

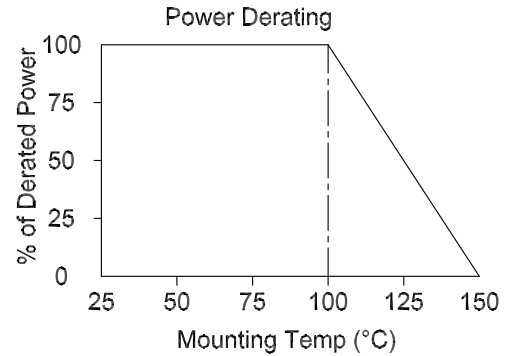
### Rated Power (Mounted Circuit side up or down)

dB Value	Watts	dB Value	Watts
0	4.0	10	1.0
1	4.0	12	0.75
2	2.0	15	0.75
3	2.0	20	0.75
6	1.0		

Attenuation Stability \_\_\_\_\_ 0.0001 dB/dB/°C  
 Operating Temp. Range \_\_\_\_\_ -55°C to +150°C

### Mechanical:

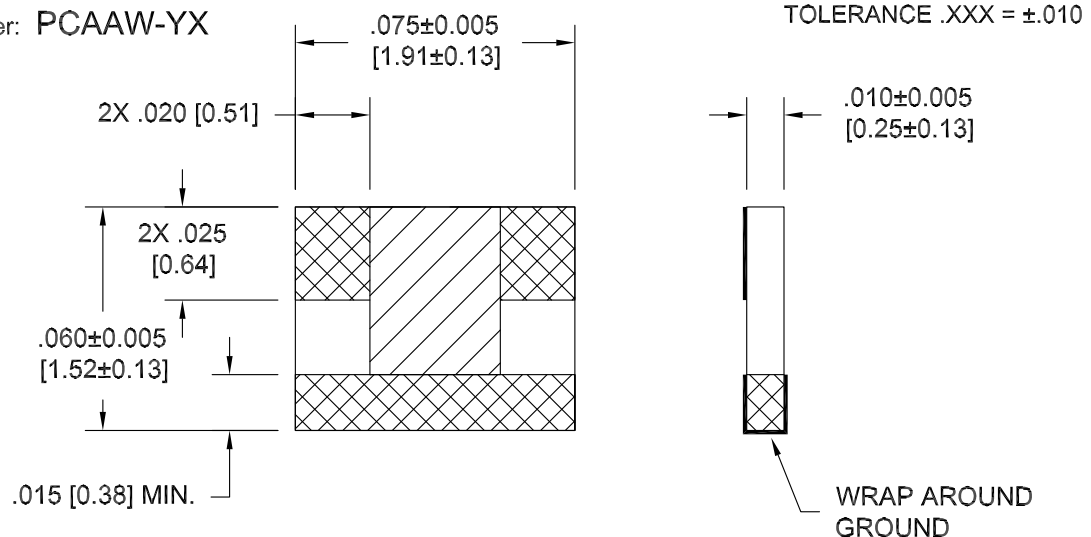
Substrate \_\_\_\_\_ Alumina  
 Solderable Terminals \_\_\_\_\_ Electroplated Silver over Nickel  
 See "How to Order" for Tinning & other options



## HOW TO ORDER:

Model Number: **PCAAW-YX**  
 Terminal Options  
 = Silver over Nickel  
 T = Tin Lead Solder  
 H = Lead Free Solder  
 G = Gold Plated  
 dB Value \_\_\_\_\_

Model Number: **PCAAW-YX**



Note: Dimensions in Brackets are Expressed in Millimeters and are for Reference Only.  
 Design specifications are subject to change without notice.

## X-ON Electronics

Largest Supplier of Electrical and Electronic Components

*Click to view similar products for [Attenuators](#) category:*

*Click to view products by [Aeroflex](#) manufacturer:*

Other Similar products are found below :

[MAATCC0010](#) [HMC305SLP4ETR](#) [MAAD-009195-000100](#) [MAADSS0012TR](#) [TGL4201-02](#) [ATN3590-15](#) [20-50TPC](#) [D10AA5Z4](#)  
[HMC346LP3TR](#) [18AH-01](#) [18AH-03](#) [18AH-08](#) [ATN3590-09](#) [20-50RP](#) [MASW-008322-000000](#) [MAAVSS0004](#) [PCAF-10](#) [EXB-](#)  
[24AT9AR5X](#) [ATN3580-06](#) [HMC539ALP3ETR](#) [HMC291SETR](#) [HMC941A-SX](#) [HMC1119LP4METR](#) [F1977NBGI8](#) [HMC802ALP3ETR](#)  
[HMC-VVD106-SX](#) [WA04P006XCTL](#) [SKY12408-321LF](#) [TGL2226](#) [WA04P005XBTL](#) [EXB-14AT3AR3X](#) [HMC-VVD104-SX](#) [SKY12236-](#)  
[11](#) [MAATSS0018TR-3000](#) [HMC656-SX](#) [WA04P001XBTL](#) [MAAV-007941-TR3000](#) [WA04P004XBTL](#) [HMC425ALP3ETR](#)  
[WA04P002XBTL](#) [MAT10010](#) [MAT10040](#) [EXB-24N182JX](#) [EXB-24N181JX](#) [EXB-24N183JX](#) [20-50TPR](#) [HMC941A](#) [PAT0816-C-0DB-T5](#)  
[PAT0816-C-8DB-T5](#) [PAT0816-C-3DB-T5](#)