

ATTENUATOR CHIP

**DC - 4 GHz
PCAF**



MODELS: PCAF-X, PCAF-TX, PCAF-HX, PCAF-GX

SPECIFICATIONS:

Electrical:

Frequency Range _____ DC - 4 GHz
 Nominal Impedance _____ 50 Ohms
 Standard dB Values _____ 0 thru 20 dB
 Attenuation Accuracy (dB)

dB Value	DC-4 GHz
0	+0.5/-0
1-6	±0.5
7-10	±0.5
11-15	±0.75
15-20	±1.00

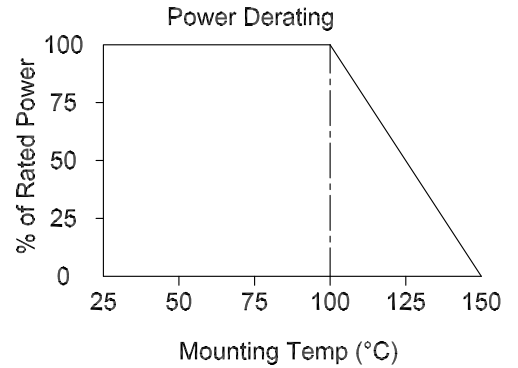
VSWR

DC - 4 GHz _____ 1.25:1 Max.

Rated Power (20dB Value) _____ 1.5W Avg.
 dB Value Specific

Attenuation Stability _____ 0.0001 dB/dB/°C

Operating Temp. Range _____ -55°C to +150°C



Mechanical:

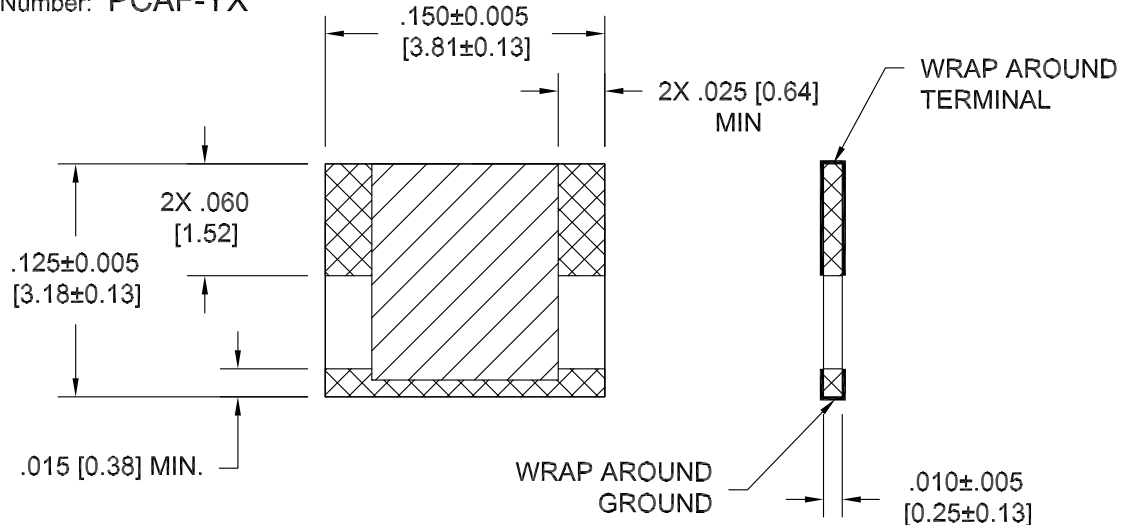
Substrate _____ Alumina
 Solderable Terminals _____ Electroplated Silver over Nickel
 See "How to Order" for Tinning & other options

HOW TO ORDER:

Model Number: **PCAF-YX**
 Terminal Options
 = Silver over Nickel
 T = Tin Lead Solder
 H = Lead Free Solder
 G = Gold Plated
 dB Value _____

Model Number: **PCAF-YX**

TOLERANCE .XXX = ±.010



Note: Dimensions in Brackets are Expressed in Millimeters and are for Reference Only.
 Design specifications are subject to change without notice.
 Contact factory for technical specifications before purchasing or use.

X-ON Electronics

Largest Supplier of Electrical and Electronic Components

Click to view similar products for [Attenuators](#) category:

Click to view products by [Aeroflex](#) manufacturer:

Other Similar products are found below :

[MAATCC0010](#) [HMC305SLP4ETR](#) [MAAD-009195-000100](#) [MAADSS0012TR](#) [TGL4201-02](#) [ATN3590-15](#) [20-50TPC](#) [D10AA5Z4](#)
[HMC346LP3TR](#) [18AH-01](#) [18AH-03](#) [18AH-08](#) [ATN3590-09](#) [20-50RP](#) [MASW-008322-000000](#) [MAAVSS0004](#) [PCAF-10](#) [EXB-](#)
[24AT9AR5X](#) [ATN3580-06](#) [HMC539ALP3ETR](#) [HMC291SETR](#) [HMC941A-SX](#) [HMC1119LP4METR](#) [F1977NBGI8](#) [HMC802ALP3ETR](#)
[HMC-VVD106-SX](#) [WA04P006XCTL](#) [SKY12408-321LF](#) [TGL2226](#) [WA04P005XBTL](#) [EXB-14AT3AR3X](#) [HMC-VVD104-SX](#) [SKY12236-](#)
[11](#) [MAATSS0018TR-3000](#) [HMC656-SX](#) [WA04P001XBTL](#) [MAAV-007941-TR3000](#) [WA04P004XBTL](#) [HMC425ALP3ETR](#)
[WA04P002XBTL](#) [MAT10010](#) [MAT10040](#) [EXB-24N182JX](#) [EXB-24N181JX](#) [EXB-24N183JX](#) [20-50TPR](#) [HMC941A](#) [PAT0816-C-0DB-T5](#)
[PAT0816-C-8DB-T5](#) [PAT0816-C-3DB-T5](#)