

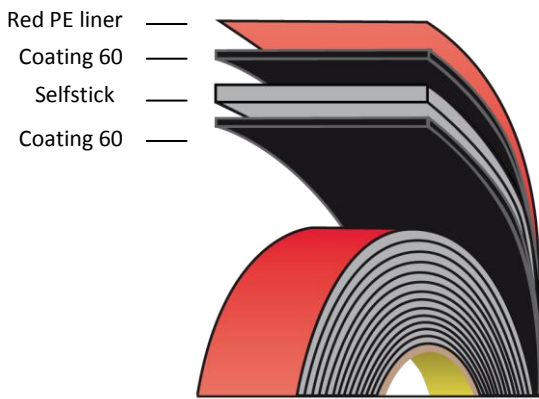
AFTC Industrial 6411

PRODUCT INFORMATION 02.2014

1/2

SilverTape 6411

This product is a double sided acrylic based adhesive tape, which is especially designed for a wide variety of materials with low surface. The tape is capable of absorbing the differing thermal expansions of the two different materials. This type maintains a high impact resistance even at temperatures below 0 °Celsius. This modified multipurpose adhesive tape is suitable for (powder) coatings and several plastics with low energy surfaces (LSE) and has been specifically developed for applications where the use of a primer or adhesion promoter is not needed. High performance tape like the 6411 LSE has an excellent initial tack and adhesion during the application of powder coated surfaces, plastics, coated glass and other low surface energy surfaces. Other features include good plasticizer resistance and very good adaptability.



Thickness:	1,2mm (0.047 inch)
Core:	Conformable acrylic
Adhesive:	Acrylic coating 60
Density:	600kg/m ³ (37lb/ft ³)
Color:	Black
Liner:	Red PE liner or white paper liner
Solvent Resistance:	Excellent
UV Resistance:	Excellent
Temperature Resistance:	
short term	120°C
long term	90°C

90° Peel Adhesion	N/10mm (lb/in)	40 (22)		ASTM D3330
Dynamic Shear Strength	kPa (lb/in ²)	650 (94)		ASTM D-1002
Normal Tensile	kPa (lb/in ²)	650 (94)		ASTM D-897
Static Shear Strength	grams	22°C (72°F)	1000	ASTM 3654
		66°C (150°F)	500	
		93°C (200°F)	500	
		121°C (250°F)	250	
		177°C (350°F)		

Suitable for:

- several LSE surfaces like, powder coatings, plastics, coated glass, ceramics, silicones, teflon, PP, PE *

Available sizes:

- jumbo: 900mm x 330 meters (core 3")
- log: 900mm x 33/66 meters (core 3")
- slit roll: 4 – 250mm x 33/66 meters (core 3")
- spool roll: 5 – 25mm x max 900 meters (core 6")

AFTC Industrial 6411

PRODUCT INFORMATION 02.2014

2/2

Manual Production

Every good bond starts with good preparation. This preparation consists of several steps, such as cleaning, use of a primer and the right working area. Please ensure that your workshop area is in a dust free environment and has a minimum room temperature of ca. 15 °Celsius.

Cleaning

Before you begin, always check how dirty the materials that you want to bond are. If they are highly contaminated with oil or grease, clean it with an industrial cleaner (SilverTape® Cleaner) or a heptanes solution. Even when the surface is clean, use our SilverTape® Cleaner, which is a 100% Isopropanol solution. Ensure that you wipe the surface in just one direction, so that the dirt is wiped off. If you do not do this you will always leave some dust or dirt on the substrate.

Quality

The quality of the bond also depends largely on the contact that the two surfaces make with each other. Because of its viscoelasticity, the tape is able to flow into the microscopic pores of the materials. However, if there is a big surface mismatch or if the materials are not pressed together the bond will reach its end strength more slowly, or not at all. Therefore we advise you to put pressure on the bond of at least 100 kPa to allow the tape to make a perfect bond between the two materials.

Maximum Bond

The end strength will be reached much faster if you use our SilverTape® Primer no. 22. This enables the tape to reach its end bond within 5 – 20 minutes instead of taking 72 hours. On making the bond the tape without the primer normally has 50% of its final bond strength and with use of the primer this will be boosted up to 80%. If you have any questions regarding the primer, the manual or the mechanical application, please contact our technical sales team.

Storage & Shelf life

Please make sure that the tape is stored in its original packaging, in a dry place and at a temperature of preferably between 4 °C and 38 °Celsius. When the tape is stored under the right conditions it has a shelf life of 18 months.

*Important Information

All technical data in this product data sheet is based on our own experience and external test institutes. These values are representative and cannot automatically be used for your own specific application. You will first need to test whether the tape is suitable for your application or project. We must point out that you need to follow the rules and regulations that are applicable in the state, county or country that you are using our product in. If you have any questions regarding the use of our acrylic foam tape, please contact our technical service or technical sales team. For questions on the warranty we refer to our delivery terms and conditions, or another warranty document should be agreed on in writing between us and the customer. SilverTape® is a brand name of AFTC.

X-ON Electronics

Largest Supplier of Electrical and Electronic Components

Click to view similar products for [Adhesive Tapes](#) category:

Click to view products by [AFTC](#) manufacturer:

Other Similar products are found below :

[PF24.0W](#) [4718](#) [4516-1/4x36](#) [56-YELLOW-34"X72YD](#) [00-021200-13972-7](#) [021200-64630](#) [60 TAPE \(1"\)](#) [62-GRAY-12"X36YD](#) [62-GRAY-1"X36YD](#) [69-1"X36YD](#) [764-1"x36yd-Red](#) [764-1"x36yd-White](#) [PG ASSY](#) [926-1/4X18YD](#) [967454-1](#) [1194-14"X36YD](#) [1181 19MM X 16,5 METERS](#) [1182-7.7X10](#) [1245-34"X18YD](#) [1267](#) [130C-1X15FT](#) [130-1x10FT](#) [1345-3/8x18yrd](#) [1380-2"X8"](#) [E39-RS1-CA](#) [1900-48mm](#) [22-1/2X36YD](#) [2229-P-2-1/2x3-3/4](#) [88-SUPER-34X44FT](#) [890103N001](#) [2670](#) [SJ3527N-Black-1.5"x50yd](#) [EVK-TA-TM047NBH01](#) [AD-UCUSB-DCAUD-SPL](#) [20-1"X60YDS](#) [2020-18mmx55m](#) [H150](#) [3900-Blue](#) [3939-24mmx55m](#) [396-1"x36yd](#) [4016-34"x36yd](#) [4462W-12"x72yd](#) [44-TAN-14"X90YD](#) [4504-34x18](#) [471-Trans-1"x36yd-Bulk](#) [5414 34X36](#) [C-22](#) [35-Gray-1/2](#) [371-Tan-48mmx50m](#) [4008-12"X36YD](#)