

# AT78L05SQ-N

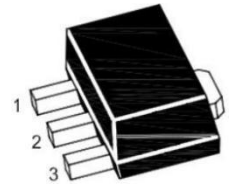
## 3-Terminal Voltage Regulator

### FEATURES

- ◆ Input voltage: up to 35V
- ◆ Output: 5V
- ◆ Output current up to 100 mA, internal thermal overload protection and short-circuit limiting.

Marking: 78L05

SOT-89



1. OUT 2. GND 3. IN

### MAXIMUM RATINGS

Ratings at  $T_A = 25^\circ\text{C}$  ambient temperature unless otherwise specified.

Parameter	Symbols	Value	Units
Input Voltage	$V_I$	35	V
Output Current	$I_O$	100	mA
Junction Temperature	$T_J$	150	$^\circ\text{C}$
Storage Temperature Range	$T_{STG}$	-55~150	$^\circ\text{C}$

### ELECTRICAL CHARACTERISTICS

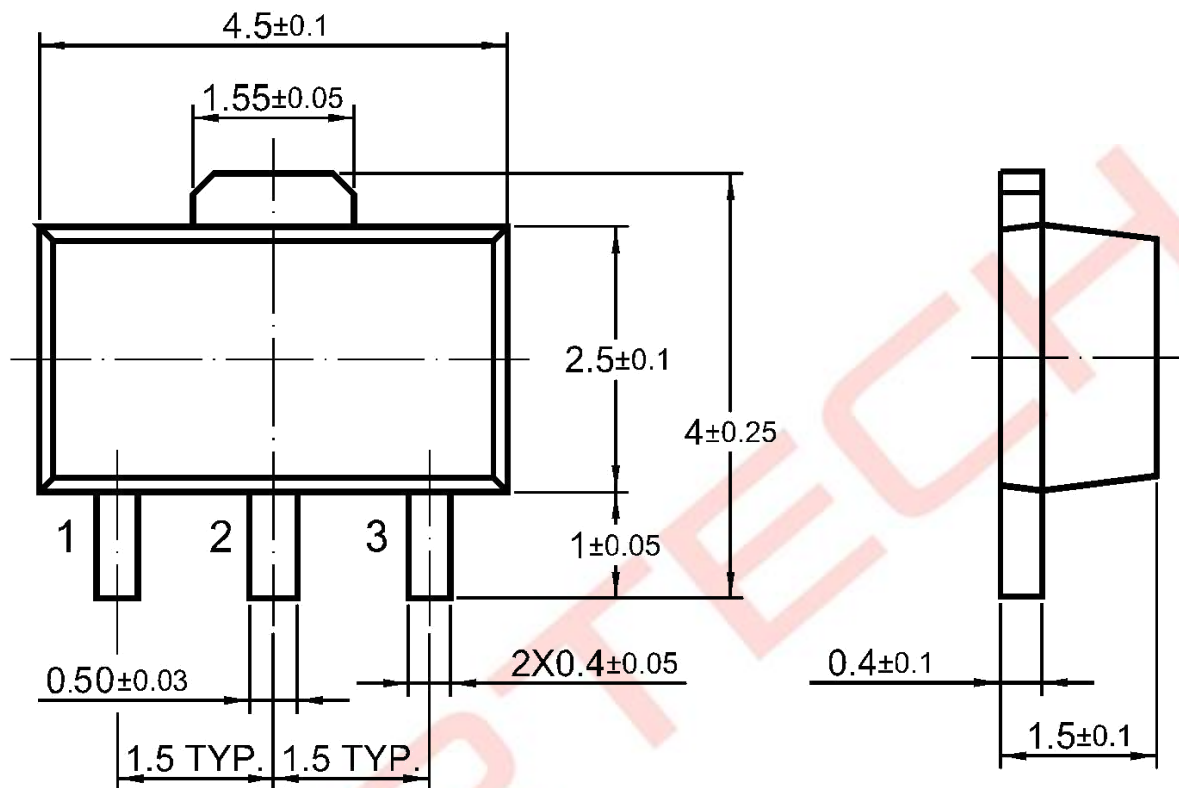
Parameter	Symbol	Test Conditions	Min.	Typ.	Max.	Unit
Output Voltage	$V_O$	$V_i=10\text{V}, I_o=40\text{mA}$	4.85	5.0	5.15	V
		$I_o=1\text{mA to }40\text{mA}, V_i=7\text{V to }25\text{V}$	4.8	---	5.2	V
		$I_o=1\text{mA to }100\text{mA}$	4.75	---	5.25	V
Line Regulation	$\Delta V_O$	$V_i=7\text{V to }25\text{V}, T_j=25^\circ\text{C}$	---	18	75	mV
		$V_i=8\text{V to }25\text{V}, T_j=25^\circ\text{C}$	---	10	54	mV
Load Regulation	$\Delta V_O$	$I_o=1\text{mA to }100\text{mA}, T_j=25^\circ\text{C}$	---	20	60	mV
		$I_o=1\text{mA to }40\text{mA}, T_j=25^\circ\text{C}$	---	5	30	mV
Ripple Rejection	RR	$V_i=8\text{V to }16\text{V}, f=100\text{Hz}, T_j=25^\circ\text{C}$	47	62	---	dB
Quiescent Current	$I_Q$		---	3.75	6	mA
Quiescent Current Change	$\Delta I_Q$	$V_i=8\text{V to }25\text{V}$	---	---	1.0	mA
		$I_o=1\text{mA to }40\text{mA}$	---	---	0.3	mA
Output Noise Voltage	$V_N$	$10\text{Hz} \leq f \leq 100\text{kHz}, T_j=25^\circ\text{C}$	---	40	---	$\mu\text{V}$

# AT78L05SQ-N

## 3-Terminal Voltage Regulator

### PACKAGE OUTLINE

SOT-89



## X-ON Electronics

Largest Supplier of Electrical and Electronic Components

*Click to view similar products for [Linear Voltage Regulators](#) category:*

*Click to view products by [Agertech](#) manufacturer:*

Other Similar products are found below :

[LV5684PVD-XH](#) [MCDTSA6-2R](#) [L7815ACV-DG](#) [LV56801P-E](#) [UA7805CKC](#) [714954EB](#) [ZMR500QFTA](#) [BA033LBSG2-TR](#)

[NCV78M05ABDTRKG](#) [LV5680P-E](#) [L79M05T-E](#) [L78LR05D-MA-E](#) [NCV317MBTG](#) [NTE7227](#) [MP2018GZD-33-P](#) [MP2018GZD-5-P](#)

[LV5680NPVC-XH](#) [ZTS6538SE](#) [UA78L09CLP](#) [UA78L09CLPR](#) [CAT6221-PPTD-GT3](#) [MC78M09CDTRK](#) [NCV51190MNTAG](#)

[BL1118CS8TR1833](#) [BL8563CKETR18](#) [BL8077CKETR33](#) [BL9153-33CC3TR](#) [BL9161G-15BADRN](#) [BL9161G-28BADRN](#)

[BRCO7530MMC](#) [CJ7815B-TFN-ARG](#) [LM317C](#) [GM7333K](#) [GM7350K](#) [XC6206P332MR](#) [HT7533](#) [LM7912S/TR](#) [LT1764S/TR](#) [LM7805T](#)

[LM338T](#) [LM1117IMP-3.3/TR](#) [HT1117AM-3.3](#) [HT7550S](#) [AMS1117-3.3](#) [HT7150S](#) [78L12](#) [HT7550](#) [HT7533-1](#) [HXY6206I-2.5](#) [HT7133](#)