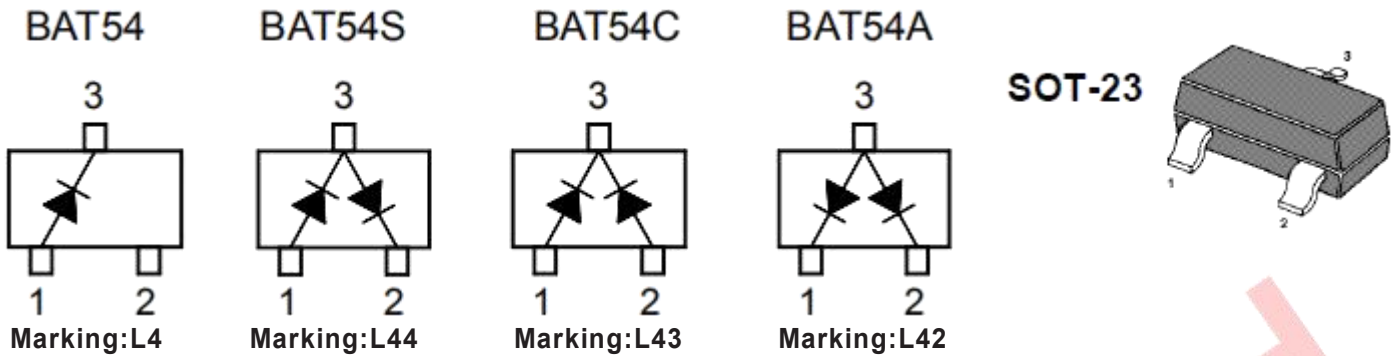


# BAT54 Series

## Schottky Barrier Diodes

### FEATURES



### Absolute Maximum Ratings at 25 °C

Parameter	Symbol	Limits	Units
Maximum Repetitive Peak Reverse Voltage	VRRM	30	V
Forward Current	IF(AV)	200	mA
Repetitive Peak Forward Current	IFRM	300	mA
Non-repetitive Peak Forward surge current at Pulse Width=1second	IFSM	600	mA
Power Dissipation	PD	290	mW
Thermal Resistance Junction to Ambient Air	RθJA	430	°C/W
Operating and Storage Temperature Range	Tj, Tstg	-55 ~ +150	°C

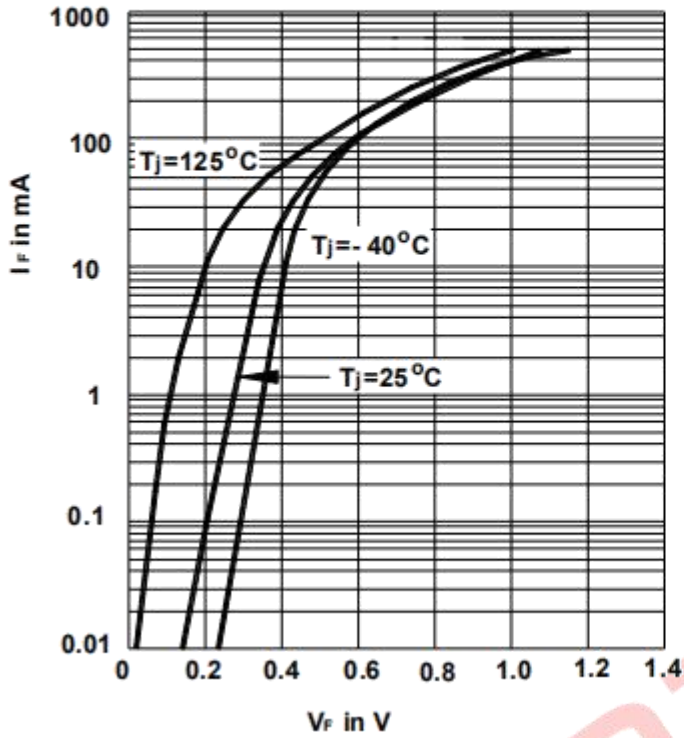
### Characteristics at Ta = 25 °C

Parameter	Symbol	Min.	Max.	Units
Maximum Forward Voltage at IF=0.1mA at IF=1 mA at IF=10 mA at IF=30 mA at IF=100 mA	VF	- - - - -	240 320 400 500 1000	mV
Reverse Current at VR=25V	IR	-	2	uA
Breakdown Voltage at IR=10uA	VR	30	-	V
Total Capacitance at VR=1V,f=1MHz	Ctot	-	10	pF
Maximum Reverse Recovery Time Measured with IF=IR=30mA,Irr=1mA,RL=100Ω	trr	-	5	ns

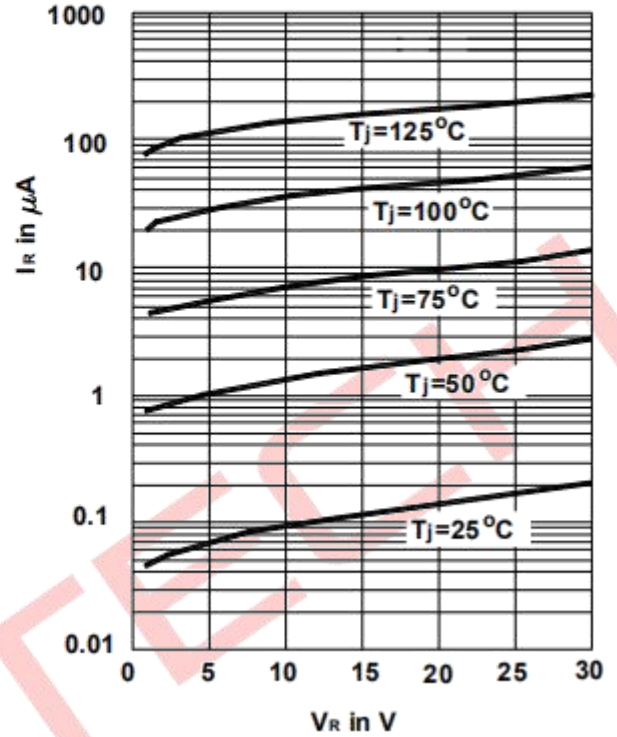
# BAT54 Series

## RATINGS AND CHARACTERISTIC CURVES

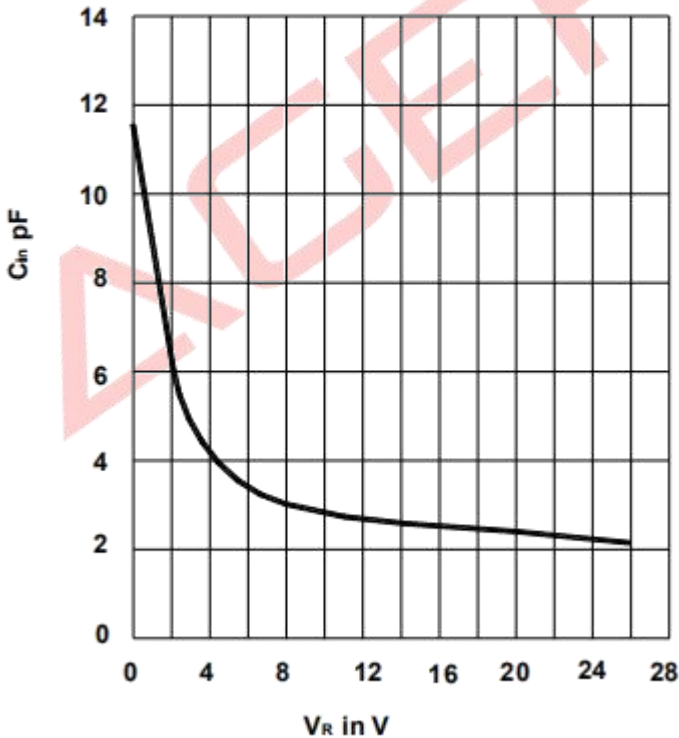
Typical Forward Voltage  
Forward Current  
at Various Temperatures



Typical Variation of Reverse  
Current at Various Temperatures



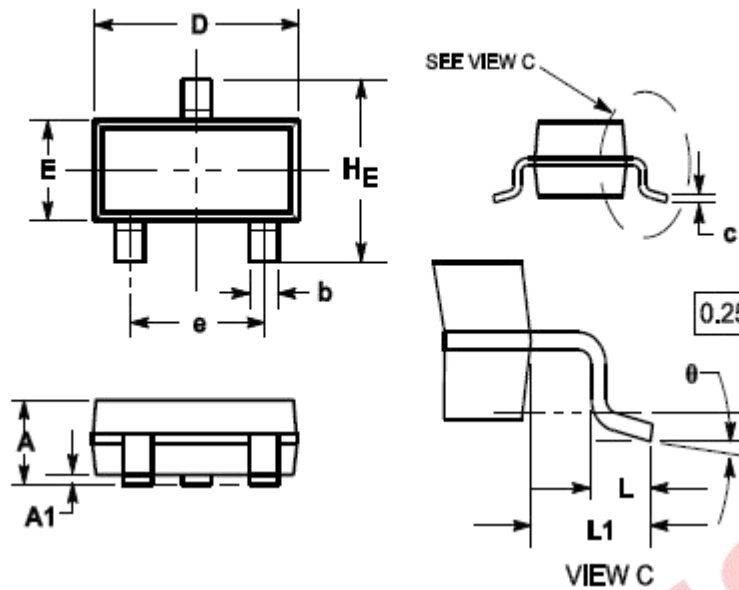
Typical Capacitance  $^{\circ}\text{C}$  vs.  
Reverse Applied Voltage  $V_R$



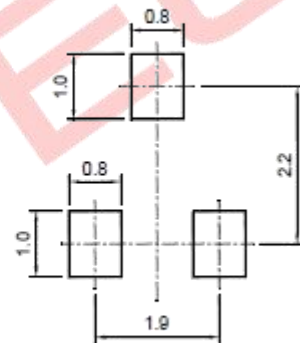
# BAT54 Series

## PACKAGE OUTLINE

SOT-23



Symbol	Dimensions in millimeter		
	Min.	Typ.	Max.
A	0.900	1.025	1.150
A1	0.000	0.050	0.100
b	0.300	0.400	0.500
c	0.080	0.115	0.150
D	2.800	2.900	3.000
E	1.200	1.300	1.400
HE	2.250	2.400	2.550
e	1.800	1.900	2.000
L1	0.550REF		
L	0.300		0.500
θ	0°		8°



SOT-23 (TO-236)

Recommended soldering pad

### Ordering Information

Device	Package	Shipping
BAT54 Series	SOT-23	3000/Reel&Tape(7 inch)

## X-ON Electronics

Largest Supplier of Electrical and Electronic Components

*Click to view similar products for [Schottky Diodes & Rectifiers](#) category:*

*Click to view products by [Agertech](#) manufacturer:*

Other Similar products are found below :

[MA4E2039](#) [MA4E2508M-1112](#) [MBR10100CT-BP](#) [MBR1545CT](#) [MMBD301M3T5G](#) [GS1JE-TP](#) [RB160M-50TR](#) [BAS16E6433HTMA1](#)  
[BAS 3010S-02LRH E6327](#) [BAT 54-02LRH E6327](#) [NSR05F40QNXT5G](#) [NSVR05F40NXT5G](#) [NTE555](#) [JANS1N6640](#) [SB07-03C-TB-H](#)  
[SK310-T](#) [SK33A-TP](#) [SK34B-TP](#) [SS3003CH-TL-E](#) [PDS3100Q-7](#) [GA01SHT18](#) [CRS10I30A\(TE85L,QM](#) [MA4E2501L-1290](#)  
[MBRB30H30CT-1G](#) [DMJ3940-000](#) [SB007-03C-TB-E](#) [SK32A-TP](#) [SK33B-TP](#) [SK35A-TP](#) [SK38B-LTP](#) [SK38B-TP](#) [NRVBM120LT1G](#)  
[NTE505](#) [NTSB30U100CT-1G](#) [VS-6CWQ10FNHM3](#) [CRG04\(T5L,TEMQ\)](#) [ACDBA1100LR-HF](#) [ACDBA1200-HF](#) [ACDBA2100-HF](#)  
[ACDBA240-HF](#) [ACDBA3100-HF](#) [CDBQC0530L-HF](#) [ACDBA260LR-HF](#) [ACDBA1100-HF](#) [MA4E2502L-1246](#) [10BQ060-M3/5BT](#)  
[NRVB130LSFT1G](#) [CRS08TE85LQM](#) [PMAD1108-LF](#) [B120Q-13-F](#)