

ESDSRVLC05SG-4

Description

The ESDSRVLC05-4 has ultra low capacitance rail-to-rail diodes with an additional zener diode fabricated in a proprietary silicon avalanche technology to protect each I/O pin providing a high level of protection for electronic equipment that may experience destructive electrostatic discharges (ESD). These robust diodes can safely absorb repetitive ESD strikes at the maximum level (level 4) specified in the IEC 61000-4-2 international standard without performance degradation. Their very low loading capacitance also makes them ideal for protecting high speed signal pins such as HDMI,DVI,USB2.0, and IEEE 1394.

Features

- ◆ Case :JEDEC SOT-23-6L package
- ◆ Low clamping voltage
- ◆ Small packaging options saves board space
- ◆ Low capacitance :0.9 pF typical
- ◆ Protection for 4 Lines
- ◆ Compatible with IEC 61000-4-2(ESD) :Air 18KV , Contact 13KV
- ◆ Compatible with IEC 61000-4-5(Surge):5.5A ,8/20 uS - level 2 (line-GND)&Level 3 (Line-Line)

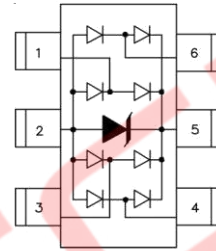
Applications

- ◆ USB Power and Data Line Protection
- ◆ 10/100/1000 Ethernet
- ◆ Video Graphics Cards
- ◆ SIM Ports
- ◆ ATM Interfaces
- ◆ Montors and Flat Panel Displays
- ◆ Digital Video Interface(DVI)
- ◆ IEEE 1394 Fire wire Ports

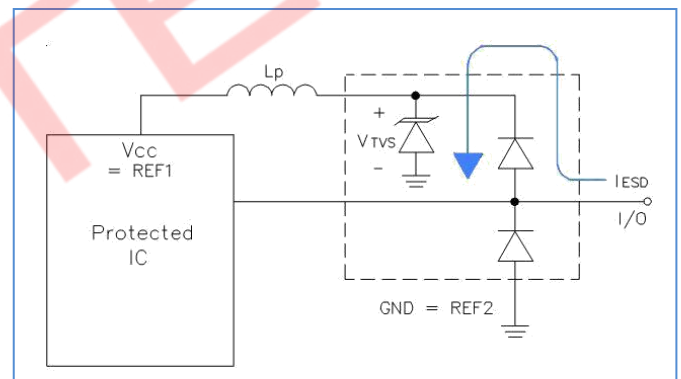
Marking:V05



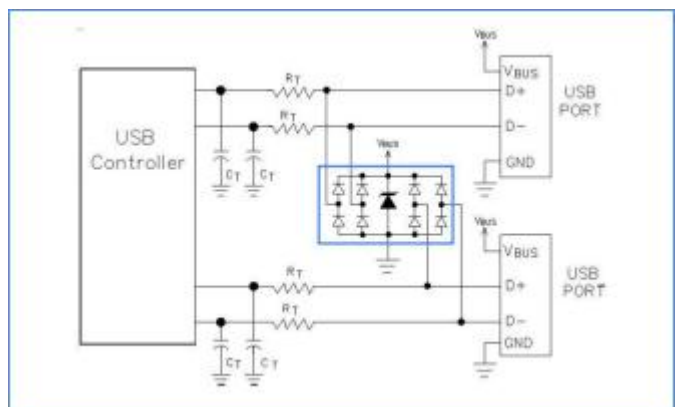
Functional Diagram



Rail-to-Rail Protection



Dual USB Port Protection



ESDSRVLC05SG-4

Absolute Maximum Ratings (Tamb=25°C unless otherwise specified)

Parameter	Symbol	Value	Units
Peak Current (tp =8/20μ s)	PPK	150	W
Peak Current (tp =8/20μ s)	IPP	5.5	A
IEC61000-4-2 (Contact)	VESD	± 13	kV
IEC61000-4-2 (Air)	VESD	± 18	kV
Lead Soldering Temperature	TL	260 (10 sec)	°C
Operating Temperature	TJ	-50 to 125	°C
Storage Temperature Range	TSTG	-50 to 150	°C

Electrical Characteristics (TA = 25 °C unless otherwise noted)

Parameter	Symbol	Conditions	Min.	Typ.	Max.	Units
Reverse Stand-off Voltage	VRWM	Any I/O pin to ground			5	V
Reverse Breakdown Voltage	VBR	It = 1mA Any I/O pin to ground	6			V
Reverse Leakage Current	IR	VRWM =5.0V, T=25°C Any I/O pin to ground			1	μ A
Clamping Voltage	VC	IPP = 1A, tp=8/20μs Any I/O pin to ground		8.5	12	V
Junction Capacitance	CJ1	VR=0V, f = 1MHz Between I/O pins		0.35	0.45	pF
	CJ2	VR=0V, f = 1MHz Any I/O pin to ground			0.9	pF

ESDSRVLC05SG-4

Characteristics Curves

Fig1. Non-Repetitive Peak Pulse Power vs. Pulse time

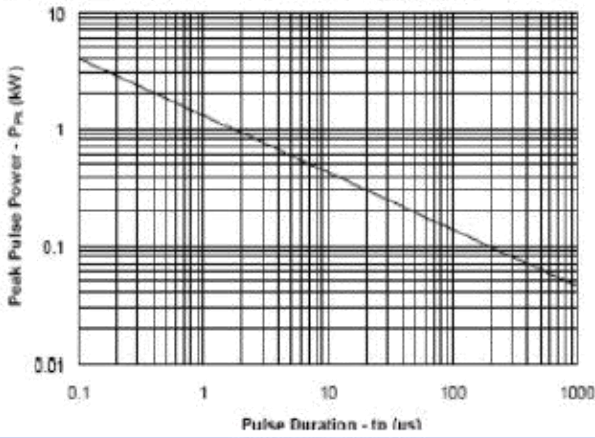


Fig2. Power Derating Curve

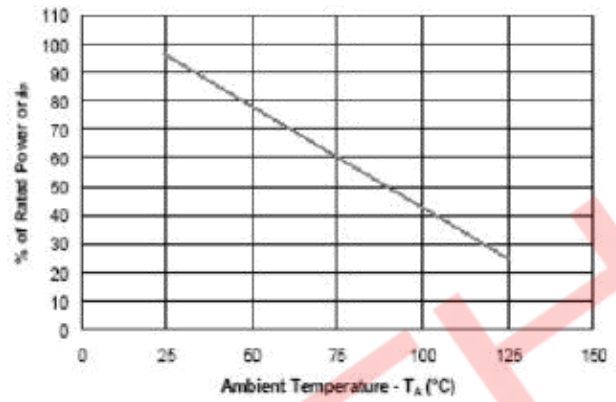


Fig3. Forward Voltage vs. Forward Current

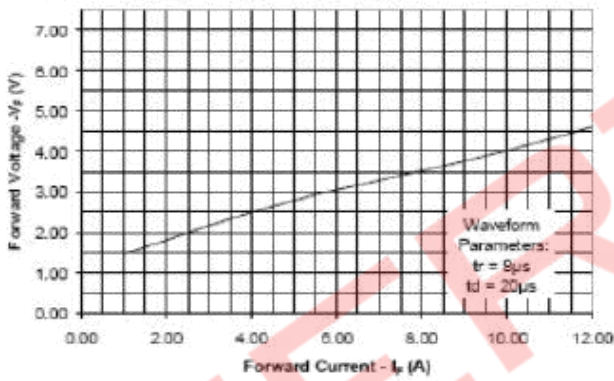


Fig4. Pulse Waveform

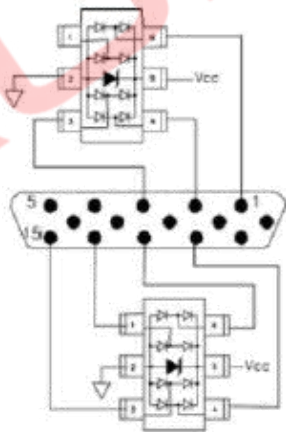
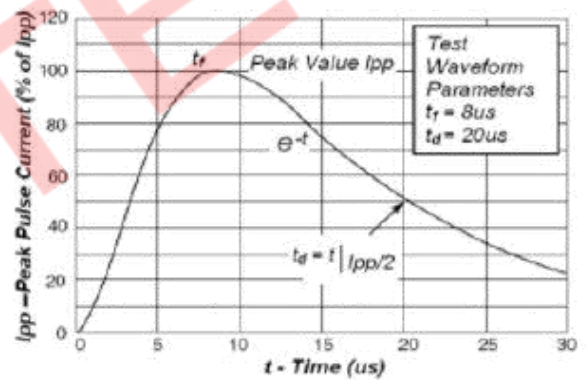


Fig5. Video Interface Protection

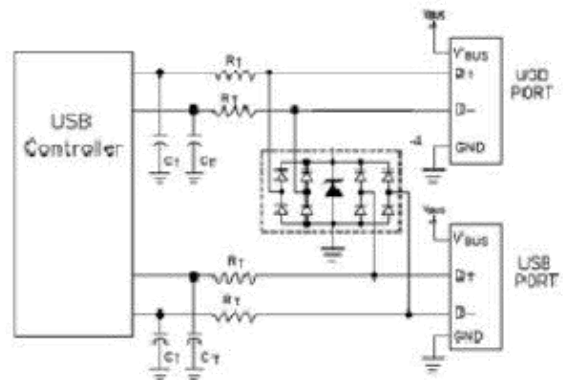
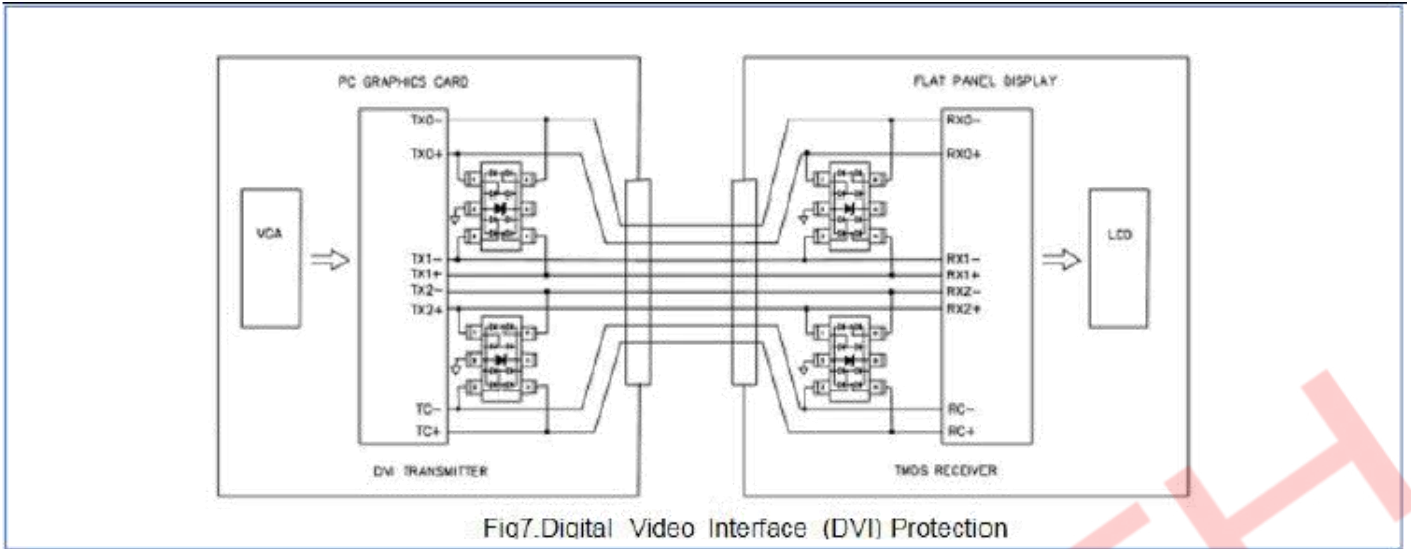


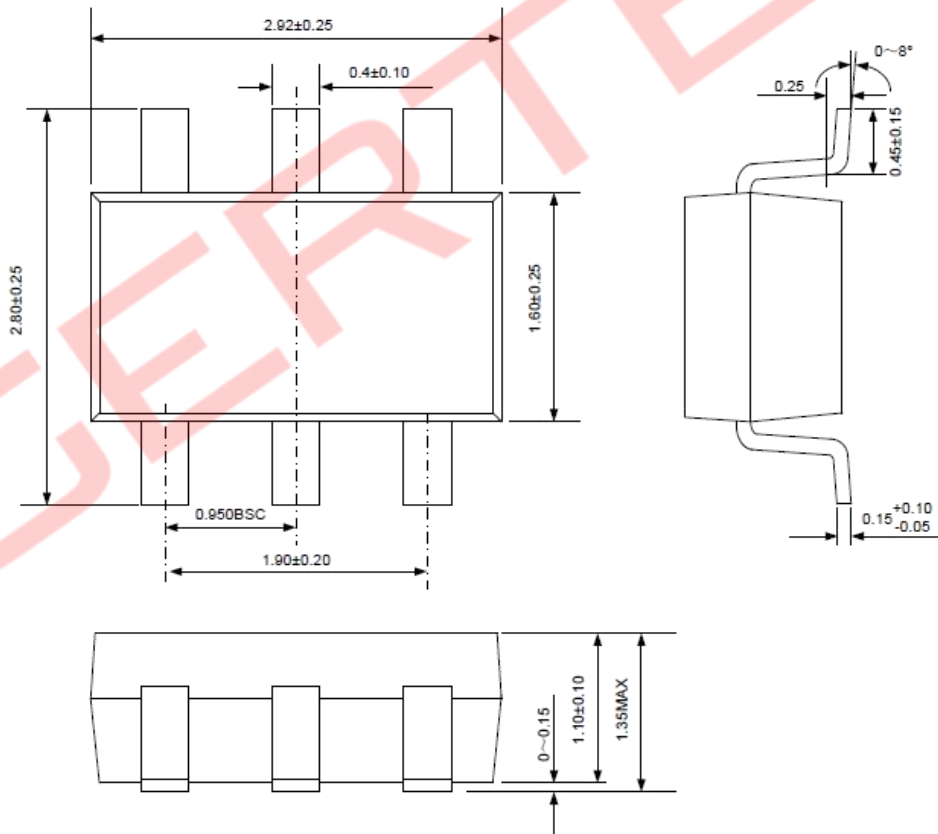
Fig6. Dual USB Port Protection

ESDSRVLC05SG-4



Package Outline

SOT23-6L



X-ON Electronics

Largest Supplier of Electrical and Electronic Components

Click to view similar products for [ESD Suppressors / TVS Diodes](#) category:

Click to view products by [Agertech](#) manufacturer:

Other Similar products are found below :

[60KS200C](#) [D18V0L1B2LP-7B](#) [D5V0F4U5P5-7](#) [DESD5V0U1BB-7](#) [NTE4902](#) [P4KE27CA](#) [P6KE11CA](#) [P6KE39CA-TP](#) [P6KE8.2A](#)
[SA110CA](#) [SA60CA](#) [SA64CA](#) [SMBJ12CATR](#) [SMBJ33CATR](#) [SMBJ8.0A](#) [ESD101-B1-02ELS E6327](#) [ESD105-B1-02EL E6327](#) [ESD112-B1-02EL E6327](#) [ESD119B1W01005E6327XTSA1](#) [ESD5V0L1B02VH6327XTSA1](#) [ESD7451N2T5G](#) [19180-510](#) [CPDT-5V0USP-HF](#)
[3.0SMCJ33CA-F](#) [3.0SMCJ36A-F](#) [HSPC16701B02TP](#) [D3V3Q1B2DLP3-7](#) [D55V0M1B2WS-7](#) [DESD5V0U1BL-7B](#) [DRTR5V0U4SL-7](#)
[SCM1293A-04SO](#) [ESD200-B1-CSP0201 E6327](#) [SM12-7](#) [SMF8.0A-TP](#) [SMLJ45CA-TP](#) [SMQA1000T1G](#) [CEN955 W/DATA](#) [82350120560](#)
[VESD12A1A-HD1-GS08](#) [CPDUR5V0R-HF](#) [CPDQC5V0U-HF](#) [CPDQC5V0USP-HF](#) [CPDQC5V0-HF](#) [IP4042CX5/LF,135](#) [D1213A-01LP4-7B](#) [D1213A-02WL-7](#) [1SMB33CAT3G-XYZ](#) [MMAD1108/TR13](#) [5KP100A](#) [5KP15A](#)