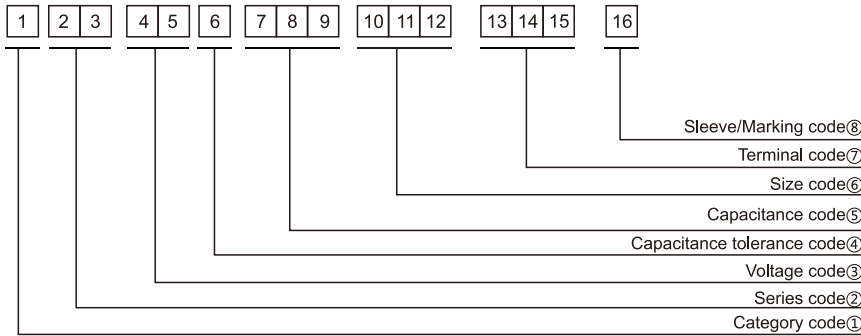


Part Numbering System



① Category code

| Type | Code |
|------------------------|------|
| | 1 |
| Electrolytic Capacitor | E |
| Conductive Polymer | S |

② Series code

| Series name | Code | |
|-------------|------|---|
| | 2 | 3 |
| WH | W | H |
| CD11GE | G | E |
| CD11GES | G | X |
| CD11GAS | G | W |
| CD11GHS | G | S |
| NR | N | R |
| PZ | P | Z |

③ Voltage code

| WV (V _{dc}) | Code | |
|-----------------------|------|---|
| | 4 | 5 |
| 2.5 | 0 | E |
| 3 | 0 | D |
| 4 | 0 | G |
| 6.3 | 0 | J |
| 6.8 | 0 | C |
| 7 | 0 | Q |
| 7.5 | 0 | A |
| 10 | 1 | A |
| 12 | 1 | T |
| 16 | 1 | C |
| 25 | 1 | E |
| 35 | 1 | V |
| 40 | 1 | G |
| 50 | 1 | H |
| 63 | 1 | J |
| 80 | 1 | B |
| 100 | 1 | K |
| 120 | 2 | B |
| 160 | 2 | C |
| 180 | 2 | L |
| 200 | 2 | D |
| 220 | 2 | N |
| 250 | 2 | E |
| 315 | 2 | F |
| 350 | 2 | V |
| 380 | 2 | P |
| 400 | 2 | G |
| 420 | 2 | T |
| 450 | 2 | W |
| 500 | 2 | H |
| 550 | 2 | J |
| 600 | 2 | K |

④ Capacitance tolerance code

| Tol. (%) | Code |
|----------|------|
| | 6 |
| -10~+10 | K |
| -20~+20 | M |
| -10~+30 | Q |
| -10~+20 | V |
| 0~+20 | A |
| -5~+20 | C |
| -10~-20 | B |
| -5~+5 | D |
| 0~+10 | E |
| -5~-20 | F |
| -15~+5 | N |

⑤ Capacitance code

| Cap (μF) | Code | | |
|----------|------|---|---|
| | 7 | 8 | 9 |
| 0.10 | R | 1 | 0 |
| 0.22 | R | 2 | 2 |
| 0.33 | R | 3 | 3 |
| 0.47 | R | 4 | 7 |
| 0.68 | R | 6 | 8 |
| 1 | 0 | 1 | 0 |
| 2.2 | 2 | R | 2 |
| 3.3 | 3 | R | 3 |
| 4.7 | 4 | R | 7 |
| 6.8 | 6 | R | 8 |
| 10 | 1 | 0 | 0 |
| 22 | 2 | 2 | 0 |
| 33 | 3 | 3 | 0 |
| 47 | 4 | 7 | 0 |
| 68 | 6 | 8 | 0 |
| 100 | 1 | 0 | 1 |
| 220 | 2 | 2 | 1 |
| 330 | 3 | 3 | 1 |
| 470 | 4 | 7 | 1 |
| 680 | 6 | 8 | 1 |
| 1000 | 1 | 0 | 2 |
| 2200 | 2 | 2 | 2 |
| 3300 | 3 | 3 | 2 |
| 4700 | 4 | 7 | 2 |
| 6800 | 6 | 8 | 2 |
| 10000 | 1 | 0 | 3 |
| 22000 | 2 | 2 | 3 |
| 33000 | 3 | 3 | 3 |
| 68000 | 6 | 8 | 3 |

⑥ Size code

| ΦD (mm) | Code |
|---------|------|
| 10 | |
| 4 | C |
| 5 | D |
| 6.3 | E |
| 8 | F |
| 10 | G |
| 11 | H |
| 12 | J |
| 12.5 | W |
| 13 | K |
| 14 | X |
| 16 | L |
| 18 | M |
| 19 | Z |
| 20 | N |
| 22 | O |
| 25 | P |
| 30 | Q |
| 35 | R |
| 40 | Y |
| 51.6 | S |
| 64.3 | T |
| 76.9 | U |
| 91 | V |
| 100 | A |

| L (mm) | Code | |
|--------|------|----|
| | 11 | 12 |
| 5 | 0 | 5 |
| 7 | 0 | 7 |
| 11 | 1 | 1 |
| 12 | 1 | 2 |
| 16 | 1 | 6 |
| 20 | 2 | 0 |
| 25 | 2 | 5 |
| 30 | 3 | 0 |
| 35 | 3 | 5 |
| 40 | 4 | 0 |
| 46 | 4 | 6 |
| 50 | 5 | 0 |
| 60 | 6 | 0 |
| 80 | 8 | 0 |
| 100 | A | 0 |
| 115 | B | 5 |
| 120 | C | 0 |
| 130 | D | 0 |
| 140 | E | 0 |
| 160 | G | 0 |
| 200 | K | 0 |
| 220 | M | 0 |
| 236 | N | 6 |
| 250 | P | 0 |

⑦ Terminal code

| Specification | Code | Size | |
|---------------------------------------|------|------|----|
| | 13 | 14 | 15 |
| Bulk packing | O | - | - |
| Taping (SMD Type) | D | 0 | 0 |
| Φ4~8 Taping F=5.0mm | P | 5 | 0 |
| Φ10~12.5 Taping F=5.0mm | B | 5 | 0 |
| Lead Cut L=3.5mm | C | 3 | 5 |
| Lead Cut L=11.0mm | C | B | 0 |
| Lead Forming & Cut L=4.5mm | F | - | - |
| Kink & Cut L=4.5mm | J | - | - |
| Snap-in type Terminal 4.0mm in length | K | - | - |
| Three Terminals | T | - | - |
| Ring clip mounting standard design | A | 0 | 0 |
| Ring clip mounting special design | S | - | - |

⑧ Sleeve/Marking code

| Sleeve/Marking | Code |
|----------------|------|
| | 16 |
| PVC | C |
| PET | T |
| Dark blue | B |
| Bright red | R |
| Sky-blue | S |
| Light blue | T |
| Pink | Z |
| Black | H |
| Purple-blue | V |
| Red | O |

Lead Forming
Taping Specifications

Fig.1 code: X

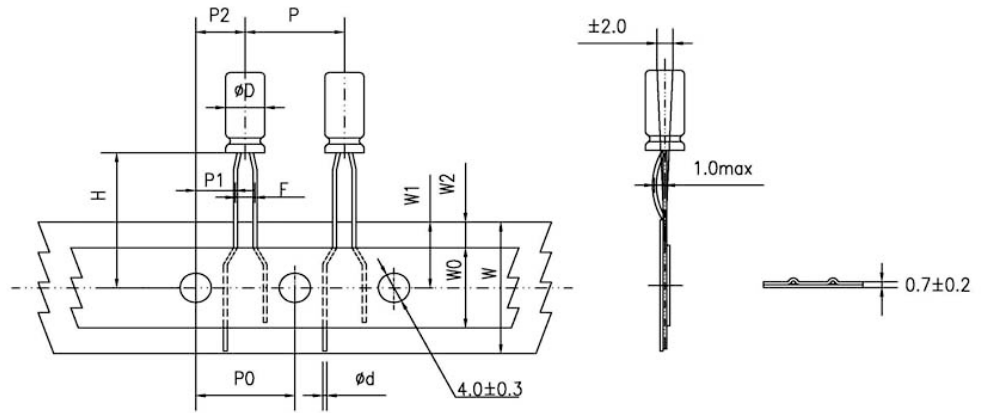


Fig.2 code: B

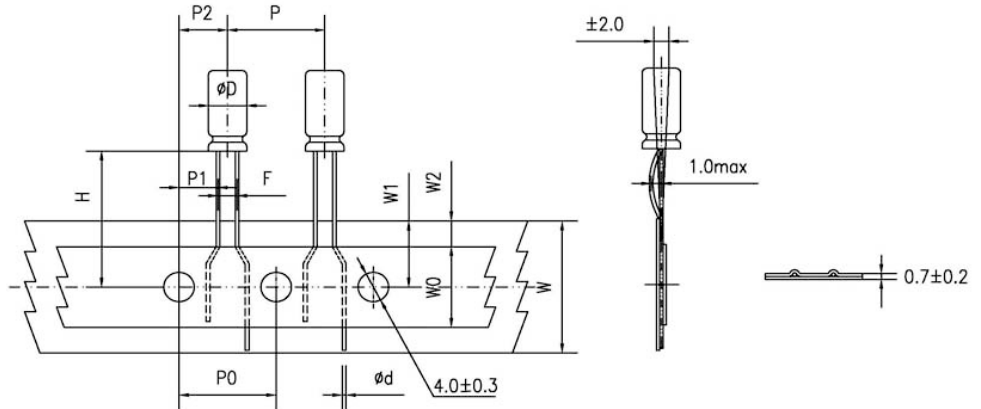


Fig.3 code: B

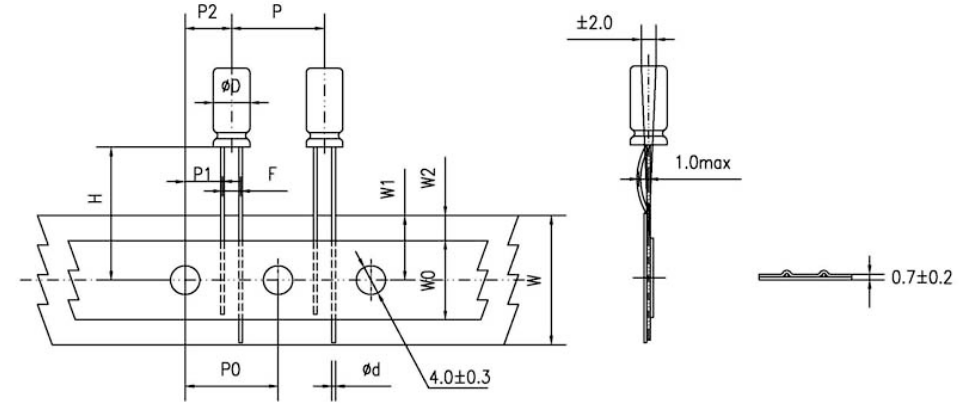
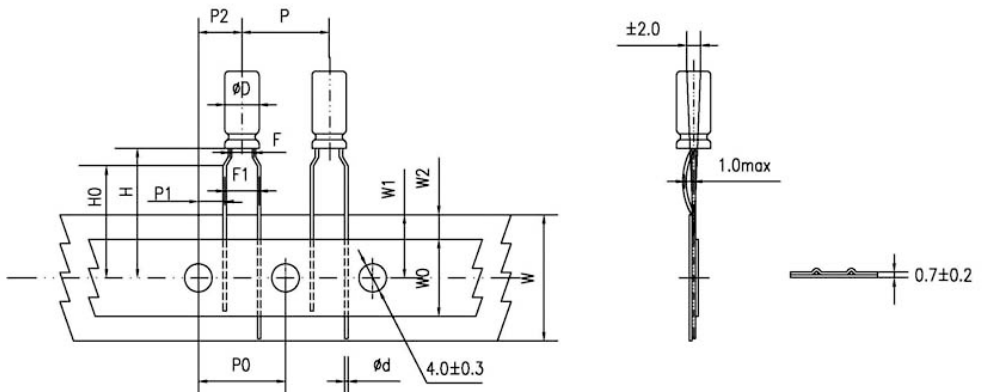


Fig.4 code: P



Lead Forming

Specification Fig.1 & Fig.2 & Fig.3

| Items | Symbol | Case size | | | | | | | | | | Tolerance | | |
|---|--------|------------|-----|------------|------|------|------|-------|----------------|------------------|-----------------------------------|-----------|--------------|--|
| | | 4*5 4*7 | | 5*5 5*7 | | 5*11 | | 6.3*5 | 6.3*7 6.3*9 | 6.3*11 6.3*12 | 8*5/7 8*9/11 8*11.5 8*12 | | 8*16 8*20 | 10*9/12 10*12.5 10*13/16 10*20/25 |
| Pin Code | | X | B | X | B | X | B | B | B | B | B | B | B | |
| Lead wire diameter | Φd | 0.45 | | 0.45 | | 0.5 | | 0.45 | 0.5 | 0.5 | 0.45/0.5 | 0.6 | 0.6 | ±0.05 |
| Pitch of body | P | 12.7 | | 12.7 | | 12.7 | | 12.7 | 12.7 | 12.7 | 12.7 | 12.7 | 12.7 | ±1.0 |
| Feed hole pitch | P0 | 12.7 | | 12.7 | | 12.7 | | 12.7 | 12.7 | 12.7 | 12.7 | 12.7 | 12.7 | ±0.2 |
| Distance from hole center to lead | P1 | 5.1 | 5.6 | 5.1 | 5.35 | 5.1 | 5.35 | 5.1 | 5.1 | 5.1 | 4.6 | 4.6 | 3.85 | ±0.7 |
| Distance from feed hole center to body center | P2 | 6.35 | | 6.35 | | 6.35 | | 6.35 | 6.35 | 6.35 | 6.35 | 6.35 | 6.35 | ±1.0 |
| Lead-to-lead distance | F | 2.5 | 1.5 | 2.5 | 2.0 | 2.5 | 2.0 | 2.5 | 2.5 | 2.5 | 3.5 | 3.5 | 5.0 | ±0.5 |
| Height of body from tape center | H | 18.5 | | 18.5 | | 18.5 | | 18.5 | 18.5 | 18.5 | 18.5 | 18.5 | 18.5 | ±0.75 |
| Base tape width | W | 18.0 | | 18.0 | | 18.0 | | 18.0 | 18.0 | 18.0 | 18.0 | 18.0 | 18.0 | ±0.5 |
| Adhesive tape width | W0 | 6.0 | | 6.0 | | 6.0 | | 6.0 | 6.0 | 8.0 | 8.0 | 8.0 | 11.0 | min |
| Hole position | W1 | 9.0 | | 9.0 | | 9.0 | | 9.0 | 9.0 | 9.0 | 9.0 | 9.0 | 9.0 | +0.75 -0.5 |
| Hole down tape position | W2 | 3.0 | | 3.0 | | 3.0 | | 3.0 | 3.0 | 3.0 | 3.0 | 3.0 | 3.0 | max |

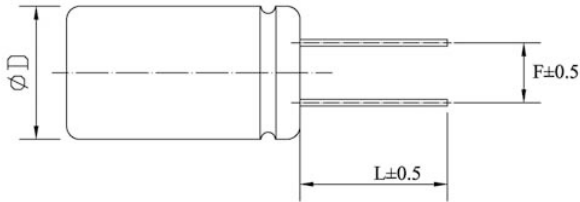
Specification Fig.4

| Items | Symbol | Case size | | | | | | | | | Tolerance |
|---|--------|------------|------|------|------|-------|----------------|------------------|------------------------------|--------------|---------------|
| | | 4*5 4*7 | 5*5 | 5*7 | 5*11 | 6.3*5 | 6.3*7 6.3*9 | 6.3*11 6.3*12 | 8*5/7 8*9/11 8*11.5/12 | 8*16 8*20 | |
| Pin Code | | P | P | P | P | P | P | P | P | P | |
| Lead wire diameter | Φd | 0.45 | 0.45 | 0.45 | 0.5 | 0.45 | 0.5 | 0.5 | 0.45/0.5 | 0.6 | ±0.05 |
| Pitch of body | P | 12.7 | 12.7 | 12.7 | 12.7 | 12.7 | 12.7 | 12.7 | 12.7 | 12.7 | ±1.0 |
| Feed hole pitch | P0 | 12.7 | 12.7 | 12.7 | 12.7 | 12.7 | 12.7 | 12.7 | 12.7 | 12.7 | ±0.2 |
| Distance from hole center to lead | P1 | 3.85 | 3.85 | 3.85 | 3.85 | 3.85 | 3.85 | 3.85 | 3.85 | 3.85 | ±0.7 |
| Distance from feed hole center to body center | P2 | 6.35 | 6.35 | 6.35 | 6.35 | 6.35 | 6.35 | 6.35 | 6.35 | 6.35 | ±1.0 |
| Lead-to-lead distance | F | 1.5 | 2.0 | 2.0 | 2.0 | 2.5 | 2.5 | 2.5 | 3.5 | 3.5 | ±0.5 |
| Lead to lead distance | F1 | 5.0 | 5.0 | 5.0 | 5.0 | 5.0 | 5.0 | 5.0 | 5.0 | 5.0 | +0.8 -0.2 |
| Height of body from tape center | H | 18.5 | 18.5 | 18.5 | 18.5 | 18.5 | 18.5 | 18.5 | 18.5 | 18.5 | ±0.75 |
| Lead wire clinch height | H0 | 16.0 | 16.0 | 16.0 | 16.0 | 16.0 | 16.0 | 16.0 | 16.0 | 16.0 | ±0.5 |
| Base tape width | W | 18.0 | 18.0 | 18.0 | 18.0 | 18.0 | 18.0 | 18.0 | 18.0 | 18.0 | ±0.5 |
| Adhesive tape width | W0 | 6.0 | 6.0 | 6.0 | 6.0 | 6.0 | 6.0 | 8.0 | 8.0 | 8.0 | min |
| Hole position | W1 | 9.0 | 9.0 | 9.0 | 9.0 | 9.0 | 9.0 | 9.0 | 9.0 | 9.0 | +0.75 -0.5 |
| Hole down tape position | W2 | 3.0 | 3.0 | 3.0 | 3.0 | 3.0 | 3.0 | 3.0 | 3.0 | 3.0 | max |

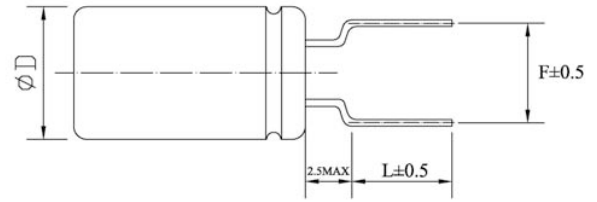
Lead Forming

Lead Forming & Cut

Code:C
RANGE: $\Phi 4 \sim \Phi 18$

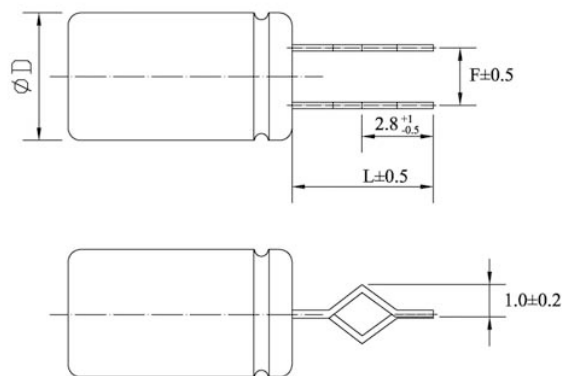


Code:F
RANGE: $\Phi 4 \sim \Phi 8$



| ΦD | F | L | ΦD | F | L |
|----------|-----|----------|----------|-----|--------------------|
| 4 | 1.5 | 3.0~12.0 | 4 | 5.0 | 3.5, 4.5, 5.0, 7.0 |
| 5 | 2.0 | 3.0~12.0 | 5 | 5.0 | 3.5, 4.5, 5.0, 7.0 |
| 6.3 | 2.5 | 3.0~12.0 | 6.3 | 5.0 | 3.5, 4.5, 5.0, 7.0 |
| 8 | 3.5 | 3.0~12.0 | 8 | 5.0 | 3.5, 4.5, 5.0, 7.0 |
| 10 | 5.0 | 3.0~12.0 | - | - | - |
| 12.5 | 5.0 | 3.0~12.0 | - | - | - |
| 16 | 7.5 | 3.0~12.0 | - | - | - |
| 18 | 7.5 | 3.0~12.0 | - | - | - |

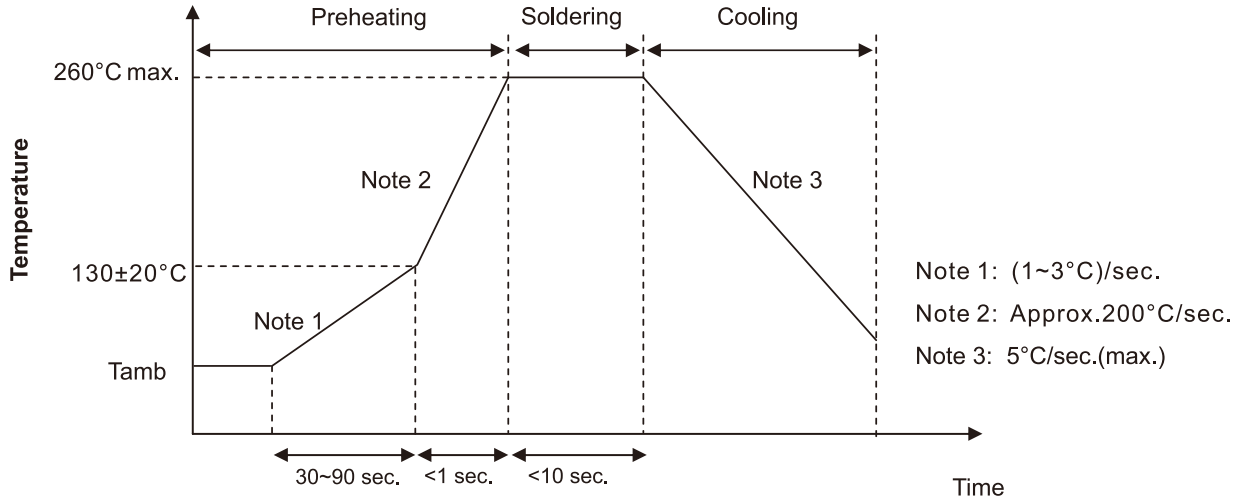
Code:J
RANGE: $\Phi 10 \sim \Phi 18$



| ΦD | F | L |
|----------|-----|---------------|
| 10 | 5.0 | 4.0, 4.5, 5.0 |
| 12.5 | 5.0 | 4.0, 4.5, 5.0 |
| 16 | 7.5 | 4.0, 4.5, 5.0 |
| 18 | 7.5 | 4.0, 4.5, 5.0 |

Solering Recommendation

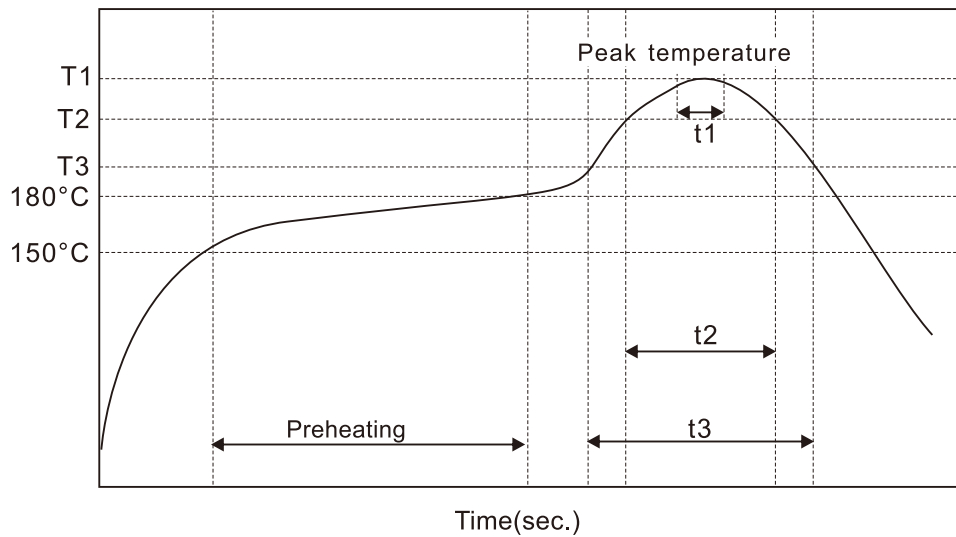
■ Flow Soldering(Radial Lead Type)



■ Reflow Soldering

- (For Polymer SMD Type)

Recommended Reflow Profile

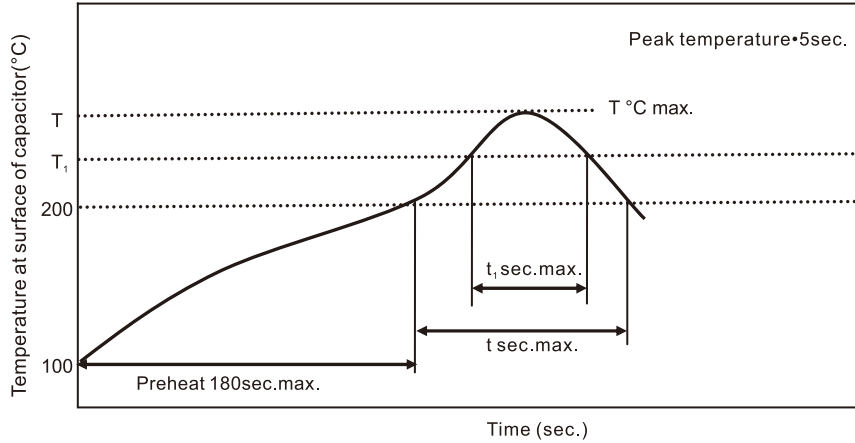


| Item | Preheating | T1(°C) | T2(°C) | T3(°C) | t1(sec.) | t2(sec.) | t3(sec.) | Reflow cycle |
|-------------|---------------------------------|--------|--------|--------|----------|----------|----------|--------------|
| Condition 1 | 150°C to 180°C Within 90sec. | ≤260 | 230 | 200 | ≤10 | ≤40 | ≤60 | 1 |
| Condition 2 | | ≤250 | 230 | 200 | ≤10 | ≤40 | ≤60 | 2 |

● (For Liquid SMD Type)

Case size: $\Phi 6.3$ – $\Phi 10$ mm:

- Temperature at surface of capacitor shall not exceed $T^{\circ}\text{C}$.
- The duration for over 200°C temperature and $T_1^{\circ}\text{C}$ at surface of capacitor shall not exceed t and t_1 seconds, respectively.
- Preheat shall be done at 100°C to 200°C and for Maximum 180 seconds.

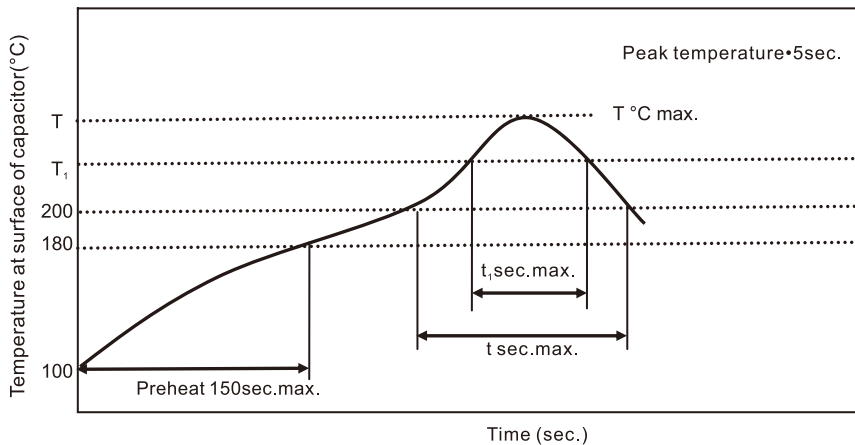


| Case size (mm) | $T(^{\circ}\text{C})$ ① | $T_1(^{\circ}\text{C})$ | $t(\text{sec.})$ ② | $t_1(\text{sec.})$ ③ | Reflow cycle |
|----------------|-------------------------|-------------------------|--------------------|----------------------|--------------|
| $\Phi 6.3$ | 250 | 230 | 90 | 40 | 1 |
| $\Phi 8$ | 240 | 230 | 90 | 30 | 1 |
| $\Phi 10$ | 235 | 230 | 60 | 30 | 1 |

- ① Peak temperature
- ② The duration over 200°C (max.)
- ③ The duration over $T_1^{\circ}\text{C}$
- Please contact us if capacitors are subject to the conditions other than the allowable range of reflow.

Case size: $\Phi 12.5$ – $\Phi 18$ mm:

- Temperature at surface of capacitor shall not exceed $T^{\circ}\text{C}$.
- The duration for over 200°C temperature and $T_1^{\circ}\text{C}$ at surface of capacitor shall not exceed t and t_1 seconds, respectively.
- Preheat shall be done at 100°C to 180°C and for Maximum 150 seconds.



| Case size (mm) | $T(^{\circ}\text{C})$ ① | $T_1(^{\circ}\text{C})$ | $t(\text{sec.})$ ② | $t_1(\text{sec.})$ ③ | Reflow cycle |
|-------------------------|-------------------------|-------------------------|--------------------|----------------------|--------------|
| $\Phi 12.5$ – $\Phi 18$ | 240 | 230 | 60 | 30 | 1 |

- ① Peak temperature
- ② The duration over 200°C (max.)
- ③ The duration over $T_1^{\circ}\text{C}$
- Please contact us if capacitors are subject to the conditions other than the allowable range of reflow.

RH series

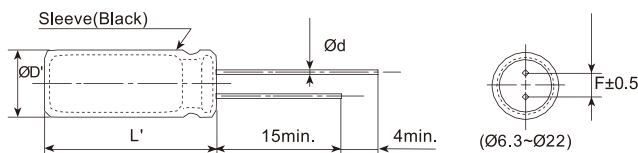
- High frequency, low impedance
- Endurance: +105°C 2,000~3,000 hours
- RoHS Compliant



SPECIFICATIONS

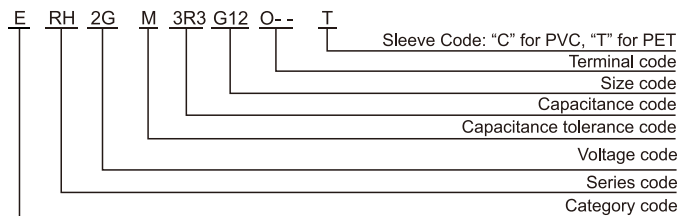
| Items | Characteristics | | | | | | | | |
|--|---|--|---|-----------|-------------------|--------|-------|---------|-------|
| Category Temperature Range | -40~+105°C(160~400 V _{dc}) | -25~+105°C(450 V _{dc}) | | | | | | | |
| Rated Voltage Range | 160~450 V _{dc} | | | | | | | | |
| Capacitance Tolerance | ±20%(M) (at 20°C, 120Hz) | | | | | | | | |
| Leakage Current | I ≤ 0.02CV or 10μA, whichever is greater. Where, I: Max. leakage current (μA), C: Nominal capacitance (μF), V: Rated voltage (V) (at 20°C after 2 minutes) | | | | | | | | |
| Dissipation Factor (tanδ) | Rated Voltage(V _{dc}) | 160 200 250 350 400 450 | | | | | | | |
| | tanδ (max.) | 0.12 0.12 0.12 0.15 0.15 0.20 (at 20°C, 120Hz) | | | | | | | |
| Low Temperature Characteristics (Max. Impedance Ratio) | Rated Voltage(V _{dc}) | 160 200 250 350 400 450 | | | | | | | |
| | Z(-25°C)/Z(+20°C) | 3 5 6 | | | | | | | |
| | Z(-40°C)/Z(+20°C) | 4 7 - (at 120Hz) | | | | | | | |
| Endurance | The following specifications shall be satisfied when the capacitors are restored to 20°C after DC voltage plus the rated ripple current is applied for a specified period of time at 105°C. | | | | | | | | |
| | Capacitance Change | ≤±20% of the initial value | <table border="1"> <tr> <th>Case Dia.</th> <th>Load life (hours)</th> </tr> <tr> <td>ØD ≤ 8</td> <td>2,000</td> </tr> <tr> <td>ØD ≥ 10</td> <td>3,000</td> </tr> </table> | Case Dia. | Load life (hours) | ØD ≤ 8 | 2,000 | ØD ≥ 10 | 3,000 |
| | Case Dia. | Load life (hours) | | | | | | | |
| | ØD ≤ 8 | 2,000 | | | | | | | |
| ØD ≥ 10 | 3,000 | | | | | | | | |
| D.F. (tanδ) | ≤200% of the initial specified value | | | | | | | | |
| Leakage Current | ≤The initial specified value | | | | | | | | |
| Shelf Life | The following specifications shall be satisfied when the capacitors are restored to 20°C after exposing them for 1,000 hours at 105°C without voltage applied. | | | | | | | | |
| | Capacitance Change | ≤±20% of the initial value | | | | | | | |
| | D.F. (tanδ) | ≤200% of the initial specified value | | | | | | | |
| | Leakage Current | ≤200% of the initial specified value | | | | | | | |

DIMENSIONS[mm]



| ØD | 6.3 | 8 | 10 | 12.5 | 16 | 18 | 22 |
|-----|------------|-----|-----|------|-----|-----|------|
| Ød | 0.5 | 0.5 | 0.6 | 0.6 | 0.6 | 0.8 | 0.8 |
| F | 2.5 | 3.5 | 5.0 | 5.0 | 7.5 | 7.5 | 10.0 |
| ØD' | ØD+0.5max. | | | | | | |
| L' | L+2max. | | | | | | |

PART NUMBERING SYSTEM



RATED RIPPLE CURRENT MULTIPLIERS

Frequency correction factor for ripple current

| Freq.(Hz) | 120 | 1k | 10k | 100k |
|---------------|------|------|------|------|
| Cap.<10 | 0.40 | 0.70 | 0.92 | 1.00 |
| 10≤Cap.<100 | 0.56 | 0.83 | 0.95 | 1.00 |
| 100≤Cap.≤1000 | 0.67 | 0.87 | 0.96 | 1.00 |

The endurance of capacitors is shortened with internal heating produced by ripple current at the rate of halving the lifetime with every 5°C rise. When long life performance is required in actual use, the rms ripple current has to be reduced.

RH series

■ STANDARD RATINGS

| WV (V _{dc}) | Cap (μF) | Size ΦDxL(mm) | tanδ | Rated ripple current (mArms/105°C,100kHz) |
|-----------------------|----------|---------------|------|---|
| 160(2C) | 2.2 | 6.3*11 | 0.12 | 80 |
| | 3.3 | 6.3*11 | 0.12 | 103 |
| | 4.7 | 8*12 | 0.12 | 121 |
| | 10 | 10*12 | 0.12 | 150 |
| | 22 | 10*16 | 0.12 | 228 |
| | 33 | 10*20 | 0.12 | 293 |
| | 47 | 12.5*20 | 0.12 | 368 |
| | 100 | 12.5*25 | 0.12 | 587 |
| 220 | 16*30 | 0.12 | 883 | |
| 200(2D) | 1 | 5*11 | 0.12 | 50 |
| | 2.2 | 6.3*11 | 0.12 | 77 |
| | 3.3 | 6.3*11 | 0.12 | 103 |
| | 4.7 | 8*12 | 0.12 | 121 |
| | 10 | 10*12 | 0.12 | 152 |
| | 22 | 10*16 | 0.12 | 228 |
| | | 10*20 | 0.12 | 238 |
| | 33 | 10*20 | 0.12 | 319 |
| | | 12.5*20 | 0.12 | 365 |
| | 47 | 12.5*20 | 0.12 | 405 |
| | 56 | 12.5*25 | 0.12 | 476 |
| | 68 | 12.5*25 | 0.12 | 540 |
| | 82 | 10*30 | 0.12 | 574 |
| | 100 | 16*25 | 0.12 | 774 |
| | 120 | 16*25 | 0.12 | 801 |
| 150 | 18*25 | 0.12 | 908 | |
| 180 | 12.5*35 | 0.12 | 948 | |
| 220 | 18*30 | 0.12 | 1032 | |
| 250(2E) | 0.47 | 6.3*11 | 0.12 | 32 |
| | 1 | 6.3*11 | 0.12 | 59 |
| | 2.2 | 6.3*11 | 0.12 | 77 |
| | 3.3 | 8*12 | 0.12 | 106 |
| | 4.7 | 8*12 | 0.12 | 124 |
| | 10 | 10*12 | 0.12 | 152 |
| | 22 | 10*20 | 0.12 | 244 |
| | 33 | 12.5*20 | 0.12 | 371 |
| | 47 | 12.5*25 | 0.12 | 423 |
| | 56 | 12.5*25 | 0.12 | 472 |
| | 82 | 16*25 | 0.12 | 637 |
| | 100 | 16*30 | 0.12 | 795 |
| | 220 | 18*35 | 0.12 | 1085 |
| | 330 | 18*45 | 0.12 | 1182 |
| 470 | 22*46 | 0.12 | 1290 | |
| 350(2V) | 0.47 | 6.3*11 | 0.15 | 32 |
| | 1 | 6.3*11 | 0.15 | 59 |
| | 2.2 | 8*12 | 0.15 | 80 |
| | 3.3 | 8*12 | 0.15 | 109 |
| | | 10*12 | 0.15 | 118 |
| | 4.7 | 10*16 | 0.15 | 153 |
| | 10 | 10*16 | 0.15 | 179 |
| | 22 | 12.5*25 | 0.15 | 316 |
| | 33 | 16*25 | 0.15 | 365 |
| 47 | 16*30 | 0.15 | 532 | |

| WV (V _{dc}) | Cap (μF) | Size ΦDxL(mm) | tanδ | Rated ripple current (mArms/105°C,100kHz) |
|-----------------------|----------|---------------|------|---|
| 400(2G) | 1 | 8*12 | 0.15 | 59 |
| | 2.2 | 8*12 | 0.15 | 91 |
| | 3.3 | 8*12 | 0.15 | 125 |
| | | 10*12 | 0.15 | 133 |
| | 4.7 | 10*12 | 0.15 | 156 |
| | 10 | 10*16 | 0.15 | 184 |
| | | 10*20 | 0.15 | 211 |
| | 22 | 12.5*20 | 0.15 | 332 |
| | 27 | 10*30 | 0.15 | 426 |
| | 33 | 10*35 | 0.15 | 498 |
| | | 16*20 | 0.15 | 487 |
| | 39 | 10*40 | 0.15 | 543 |
| | 47 | 12.5*30 | 0.15 | 659 |
| | | 16*25 | 0.15 | 647 |
| | 56 | 10*45 | 0.15 | 725 |
| | | 12.5*35 | 0.15 | 720 |
| | 68 | 12.5*40 | 0.15 | 902 |
| | | 16*30 | 0.15 | 864 |
| | 82 | 12.5*40 | 0.15 | 941 |
| | | 18*30 | 0.15 | 924 |
| 100 | 12.5*50 | 0.15 | 956 | |
| | 18*30 | 0.15 | 935 | |
| 120 | 22*31 | 0.15 | 962 | |
| 150 | 12.5*60 | 0.15 | 1021 | |
| | 22*31 | 0.15 | 1010 | |
| 450(2W) | 1 | 8*12 | 0.20 | 59 |
| | 2.2 | 10*12 | 0.20 | 96 |
| | 3.3 | 10*16 | 0.20 | 136 |
| | 4.7 | 10*20 | 0.20 | 159 |
| | 10 | 12.5*20 | 0.20 | 169 |
| | 18 | 10*30 | 0.20 | 221 |
| | 22 | 16*20 | 0.20 | 338 |
| | 27 | 10*30 | 0.20 | 426 |
| | 33 | 10*35 | 0.20 | 509 |
| | | 16*25 | 0.20 | 504 |
| | 39 | 10*40 | 0.20 | 554 |
| | | 10*45 | 0.20 | 703 |
| | 47 | 12.5*30 | 0.20 | 698 |
| | | 18*25 | 0.20 | 686 |
| | 56 | 12.5*35 | 0.20 | 781 |
| | | 18*25 | 0.20 | 769 |
| | 68 | 12.5*40 | 0.20 | 830 |
| | | 18*30 | 0.20 | 808 |
| | 82 | 12.5*45 | 0.20 | 886 |
| | | 18*30 | 0.20 | 853 |
| 100 | 18*35 | 0.20 | 924 | |
| 120 | 18*40 | 0.20 | 1128 | |
| 150 | 22*40 | 0.20 | 1354 | |
| 220 | 22*46 | 0.20 | 1537 | |

X-ON Electronics

Largest Supplier of Electrical and Electronic Components

Click to view similar products for [Aluminium Electrolytic Capacitors - Radial Leaded](#) category:

Click to view products by [Aihua](#) manufacturer:

Other Similar products are found below :

[LXY50VB4.7M-5X11](#) [RFO-100V471MJ7P#](#) [ECE-A1EGE220](#) [B41041A2687M8](#) [B41041A7226M8](#) [B41044A7157M6](#)
[EKXG201EC3101ML20S](#) [EKZM160ETD471MHB5D](#) [NCD681K10KVY5PF](#) [NEV1000M25EF-BULK](#) [NEV100M35DC](#) [NEV100M63DE](#)
[NEV220M25DD-BULK](#) [NEV.33M100AA](#) [NEV4700M50HB](#) [NEV.47M100AA](#) [NEVH1.0M250AB](#) [NEVH3.3M250BB](#) [NEVH3.3M450CC](#)
[KM4700/16](#) [KME50VB100M-8X11.5](#) [SG220M1CSA-0407](#) [ES5107M016AE1DA](#) [ESMG160ETD102MJ16S](#) [ESX472M16B](#)
[SZ010M1500A5S-1015](#) [227RZS050M](#) [476CKH100MSA](#) [UVX1V101KPA1FA](#) [UVX1V222MHA1CA](#) [KME25VB100M-6.3X11](#)
[VTL100S10](#) [VTL470S10](#) [VTL470S16A](#) [511D336M250EK5D](#) [052687X](#) [ECE-A1CF471](#) [EKMA500ELL4R7ME07D](#) [NRE-](#)
[S560M16V6.3X7TBSTF](#) [RGA221M1CTA-0611G](#) [ERZA630VHN182UP54N](#) [UPL1A331MPH](#) [SK035M0100AZS-0611](#) [MAL214658821E3](#)
[NEV1000M6.3DE](#) [NEV100M16CB](#) [NEV100M50DD-BULK](#) [NEV2200M16FF](#) [NEV220M50EE](#) [NEV2.2M50AA](#)