

CUSTOMER:

DATE: **August 22,2020**

# SPECIFICATION

**DESCRIPTION: Aluminium Electrolytic Capacitors**

**AISHI P/N: Part of WH Series**

**SERIES: WH**




**ITEM:**

**CUSTOMER P/N:**

**No.: CRS-JD-2008758**

**APPROVED BY**

Please Return One Copy with Your Approval  
承认后请寄回一份

PREPARED BY	CHECKED BY	APPROVED BY
 陈娟 技术中心	 许雷冰 技术中心	 黄远彬 技术中心



## 1 概述 SCOPE

本承认书规定了WH系列径向引线引出铝电解电容器的技术规范，本技术规范条文解释权归本公司所有。  
This specification covers "WH series" miniature single-ended aluminium electrolytic capacitors, AISHI reserves the right of final interpretation for this technical specification.

## 2 参考标准 APPLICABLE SPECIFICATION

本承认书参考JIS-C-5101-1和 JIS-C-5101-4制定。  
This specification consulted the institute of JIS-C-5101-1 and JIS-C-5101-4.

## 3 工作温度范围 OPERATING TEMPERATURE RANGE

工作温度范围是电容器在施加额定工作电压条件下，可以长期可靠工作的环境温度范围。  
-40°C~+105°C ( 6.3 VDC~100 VDC )  
Operating temperature range is the range of ambient temperature at which the capacitor can be operated continuously at rated voltage.  
-40°C~+105°C ( 6.3V.DC~100V.DC )

## 4 测试环境 CONDITION OF TEST

如果没有其他规定，标准的测试、检验环境条件如下所示：  
环境温度：15°C~35°C  
相对湿度：45%~75%  
大气压力：86kPa~106kPa

如果对测试结果有异议，可以在以下条件测试：  
环境温度：20±1°C  
相对湿度：60%~67%  
大气压力：86kPa~106kPa

Unless otherwise specified, the standard range of atmospheric conditions for making measurements and tests are as follows:

Ambient temperature : 15°C to 35°C  
Relative humidity : 45% to 75%  
Air pressure : 86kPa to 106kPa

If there may be doubt on the results, measurements shall be made within the following limits:  
Ambient temperature : 20±1°C  
Relative humidity : 60% to 67%  
Air pressure : 86kPa to 106kPa

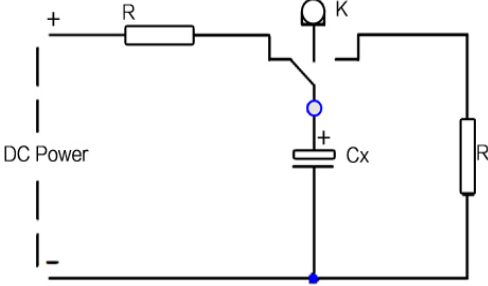
File Description	Approval Sheet				
Component P/N	CRS-WH	Version	01	Page	1
STANDARD MANUAL					

## 5 产品特性 PRODUCT CHARACTERISTICS

### 5.1 电气特性 Electrical Characteristics

序号 No.	项目 Item	测试方法 Test method	性能 Performance
5.1.1	额定工作电压 Rated voltage	电压：直流电压值+交流电压峰值≤额定电压 Voltage: DC voltage + peak ripple voltage ≤ Rated voltage	见表1 See TABLE-1
5.1.2	电容量 Capacitance	测试频率：120Hz(±20%) 测试电路：串联等效 测试电压：0.5Vrms以下+1.5~ 2.0VDC Measuring frequency: 120Hz±20% Measuring circuit: Series equivalent circuit Measuring voltage: 0.5Vrms or less +1.5 to 2.0 VDC	容量偏差： -20%~+20% Capacitance tolerance: -20%~+20%
5.1.3	损失角正切值 Dissipation factor	测试条件与5.1.2电容量测试相同。 Testing conditions are the same as 5.1.2 for capacitance.	DF见表1 DF: See TABLE-1
5.1.4	漏电流 Leakage current	<p>在电容器两端施加额定工作电压，并串联1000±100Ω电阻，在施加电压2分钟后，测量漏电流。</p> <p>测试电路如下图：</p> <p>The rated voltage shall be applied across the capacitor and its protective resistor shall be 1000±100Ω. The leakage current shall then be measured after an electrification period of 2 min.</p> <p>Measurement circuit:</p> <p>Rs: Protective resistor(1000±100Ω) DC ammeter DC voltmeter S1: Switch S2: Protective switch for an ammeter</p>	<p>6.3V~100V: I≤0.01CV或3μA, 取较大值(2分钟后)。</p> <p>6.3V~100V: I≤0.01CV or 3μA Whichever is greater (after 2 min).</p> <p>I: 漏电流(μA) C: 容量(μF) V: 额定工作电压(V) I: Leakage current(μA) C: Capacitance(μF) V: Rated voltage(V)</p>

File Description	Approval Sheet				
Component P/N	CRS-WH	Version	01	Page	2
STANDARD MANUAL					

5.1.5	温度特性 Temperature characteristic	阶段	温度	时间	阶段2： 阻抗值与阶段1阻抗值相比，不大于表2要求； 阶段4： 容量变化应在初值的±20%范围内。 Step 2: Impedance value ratio to the value at step 1 shall be not more than the value given in TABLE-2. Step 4: Variation of capacitance Within ±20% of the initial value.
		1	20±2°C	--	
		2	-25, -40 <sup>+0</sup> <sub>-3</sub> °C	2h	
		3	20±2°C	15min.	
		4	105 <sup>+3</sup> <sub>-0</sub> °C	2h	
阶段1：测量容量和阻抗（ z  20°C 120Hz±20%）； 阶段2：电容器恒温贮存2小时，在热平衡状态测阻抗（ z  -25, -40°C 120Hz±20%）； 阶段4：电容器恒温贮存2小时，在热平衡状态测电容量。 Step 1: Capacitance and impedance shall be measured. ( z  20°C 120Hz±20%); Step 2: After the capacitor being stored for 2 hours, impedance shall be measured at thermal stability. ( z  -25, -40°C 120Hz±20%); Step 4: After the capacitor being stored for 105°C 2 hours, capacitance shall be measured. The measurement shall be made at thermal stability.					
5.1.6	耐浪涌电压 Surge test	施加表1所列浪涌电压，充电30±5秒，放电5.5±0.5分钟作为一个周期，共进行1000次。 测试温度：15°C-35°C 然后在标准大气条件下放置达到热稳定，测试各 Application of DC surge Voltage stated at TABLE-1. 1000 times of charging for 30±5 sec., discharging with a period of 5.5±0.5 min.. Test temperature: 15°C-35°C And the capacitor shall be stored under standard atmospheric conditions to obtain thermal stability, after which measurements shall be made.			容量变化：在初始值的±20%以内。损耗角正切值不大于表1规定值的200%。 漏电流：满足5.1.4要求。 Capacitance change: Within ±20% of the initial value Dissipation factor: Not more than 200% of the specified value in TABLE-1. Leakage current: To satisfy No. 5.1.4 .
		Test circuit 			Note: This requirement is applicable only to instantaneous over voltage which may be applied to terminals of capacitor, therefore, not applicable to such over voltages as often applied.

File Description	Approval Sheet				
Component P/N	CRS-WH	Version	01	Page	3
STANDARD MANUAL					

## 5.2 机械特性 Mechanical Performance

序号 No.	项目 Item	测试方法 Test method	特性 Performance					
5.2.1	端子强度 Terminal strength	端子抗拉强度： 沿电容器端子引线方向施加拉力(如下表)，10±1秒。	测量电容器应无接触不良、开路或短路，无可见机械损伤。 When the capacitor is measured, there shall be no intermittent contacts, or open or short-circuiting. There shall be no visible mechanical damage.					
		引线直径Φ		0.45	0.5	0.6	0.8	1.0
		拉力N		5		10	20	
		端子抗弯强度： 在电容器引线施加固定重力(如下表)，然后将电容体弯折90°后回到原位，再向相反方向弯折90°后回到原位。 上述过程在5秒内完成。						
		引线直径Φ		0.45	0.5	0.6	0.8	1.0
		拉力N		2.5		5	10	
		Tensile strength of terminal: A static load (stated in the table above) shall be applied to the terminal in the axial direction and acting in a direction away from the body for 10±1 sec.. Bending strength of terminal: Hang the specified dead weight (stated in the table above), then bend the body through 90°, return to the original position. Next bend it in opposite direction through 90° with the same speed, again return to the original position. Complete this operation in about 5 sec..						
5.2.2	振动试验 Resistance to vibration	依据JIS-C-5101-1 4.17试验。 在3个互相垂直的方向分别施加2小时振动，共6小时。 频率：10-55Hz 振幅：1.5mm。 振速：1分钟内振速10~55~10Hz To comply with JIS-C-5101-1 4.17 Direction and duration of vibration: 3 orthogonal directions mutually each for 2h, Total 6h. Vibration frequency range :10-55Hz. Peak to peak amplitude: 1.5mm Sweep rate :10 to 55 to 10Hz in about 1 min.	测量电容器应无接触不良开路或短路，无可见机械损伤。 When the capacitor is measured there shall be no intermittent contacts, or open or short circuiting. There shall be no visible mechanical damage.					
		依据JIS-C-5101-1 4.15进行试验。 焊锡温度：235±5°C 浸入时间：2±0.5秒 To comply with JIS-C-5101-1 4.15 Temperature of solder: 235±5°C Dipping time: 2±0.5sec. This specification shall be met after the capacitors are stored under standard atmospheric conditions for 6 months.		浸入焊锡的引线表面积约90%以上应附着新锡。 At least 90% of circumferential surface of the dipping portion of terminal shall be covered with new solder.				

File Description	Approval Sheet				
Component P/N	CRS-WH	Version	01	Page	4
STANDARD MANUAL					

### 5.3 耐久性测试 Endurance Performance

序号 No.	项目 Item	测试方法 Test method	特性 Performance
5.3.1	耐焊接热 Resistance to soldering heat	焊槽法： 焊锡温度：260±5℃ 浸入时间：10±1秒 电路板：1.6mm Solder bath method Solder bath temperature：260±5℃ Immersion time：10±1sec. Printed wiring board: 1.6mm	容量变化：在初始值±10%范围内。 损失角正切值：不大于表1规定值。 漏电流：满足5.1.4要求。 外观：无异状。 Variation of capacitance: Within ±10% of the initial value. Dissipation factor: Not more than the specified value in TABLE-1. Leakage current: To satisfy No. 5.1.4 . Appearance: No remarkable abnormality.
5.3.2	稳态湿热 Resistance to damp heat (steady state)	依据JIS-C-5101-1 4.22进行试验。 试验温度：40±2℃ 试验时间：240±8h 相对湿度：90~95% 试验后，电容器在标准大气条件下1~2小时，然后测试参数。 To comply with JIS-C-5101-1 4.22 Test temperature：40±2℃ Test time：240±8h Relative humidity: 90~95% After completion of test, the capacitor shall be subjected to standard atmospheric conditions for 1 to 2 hours, after which measurements shall be made.	容量变化：在初始值±10%范围内。 损失角正切值：不大于表1规定值。 漏电流：满足5.1.4要求。 外观：无异状。 Variation of capacitance: Within ±10% of the initial value. Dissipation factor: Not more than the specified value in TABLE-1. Leakage current: To satisfy No. 5.1.4 . Appearance: No remarkable abnormality.
5.3.3	高温负荷试验 Load life test	1. 试验温度：105±2℃,施加额定电压和额定纹波电流。 Application of the rated voltage and the rated ripple current, Test temperature:105±2℃. 2. 试验时间：参照TABLE-1寿命要求。 Testing time: refer to TABLE-1 life requirements.	容量变化：在初始值±20%范围内。 损耗角正切值：不大于表1规定值的200%。 漏电流：满足5.1.4要求。 外观：无异状。 Variation of capacitance: Within ±20% of the initial value. Dissipation factor: Not more than 200% of the specified value in TABLE-1. Leakage current: To satisfy No. 5.1.4 . Appearance: No remarkable abnormality.

File Description	Approval Sheet				
Component P/N	CRS-WH	Version	01	Page	5
STANDARD MANUAL					

5.3.4	高温贮存试验 Shelf life test	<p>在105±2°C环境下无负荷贮存1000+48-0 h , 至少恢复16小时后。 The capacitors are stored without voltage load at 105±2°C for 1000+48-0h and then resumed 16 hours.</p>	<p>容量变化：初始值±20%范围内。 损耗角正切值：不大于表1规定值的200% 漏电流：满足5.1.4规定值的200%。 外观：无异状。 Variation of capacitance: Within ±20% of the value before test. Dissipation factor: Not more than 200% of the specified value in TABLE-1. Leakage current: Not more than 200% of the specified value in No. 5.1.4 . Appearance: No remarkable abnormality.</p>
5.3.5	防爆试验 Safety vent	<p>以下试验只适用于铝壳直径≥Φ8产品。 The following tests only apply to those products with vent products at diameter ≥ Φ8 with vent.</p> <p>在电容器两极施加反向直流电压，其中通过的电流为1A，在测试时防爆装置应能在30分钟内动作。 DC Application test: The capacitor shall be subjected to a reverse DC voltage. The current flowing through the capacitor shall be 1A. If the vent does work with the voltage applied for 30 minutes, the test is considered to be passed.</p>	<p>上述过程中应无引线、铝箔等散射，无火花产生。 The safety vent is actuated under the test conditions, thereby preventing terminals, metal pieces, etc. of the capacitor from scattering due to burst, the case from separating from the seal packing, or the capacitor from producing flame.</p>

File Description	Approval Sheet				
Component P/N	CRS-WH	Version	1	Page	6
STANDARD MANUAL					



## 6 标记 MARKING

### 6.1 在电容器体上应注明如下内容：

- |                    |  |
|--------------------|--|
| (1) 生产厂商商标         |  |
| (2) 型号-额定温度        | WH 105°C   |
| (3) 周期代码-我司代码-套管材质 | YyWw□PET (Yy表示年份，Ww表示制<br>□表示我司代码，我司代码：“Z、Y、J、S……”<br>PET表示套管材质) |
| (4) 电压容量           | --V--μF  |
| (5) 负极标志           |  |

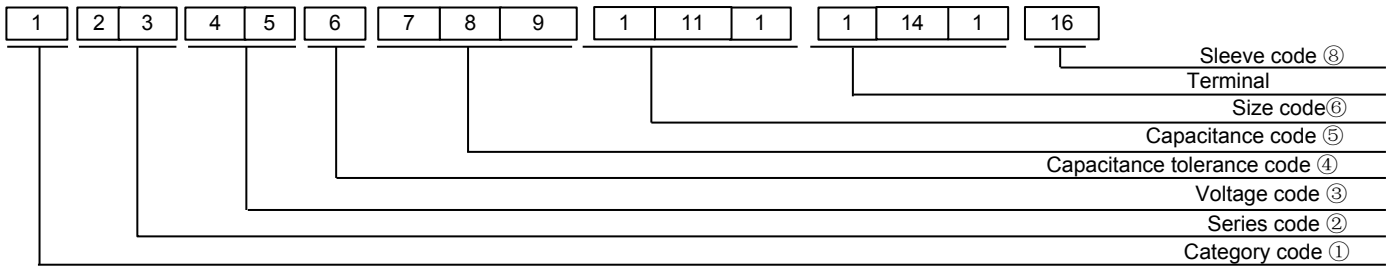
### 6.1 The Following Items Shall Be Marked Indelibly On The Capacitor:

- |  |   |
|--|---|
| (1) Manufacture's name or trade mark.      |   |
| (2) Series - rated temperature             | WH 105°C  |
| (3) Date code- AIHUA code -sleeve material | YyWw□PET (Yy denotes last two digit of years and Ww<br>denotes the week in which the capacitor been manufactured,<br>□denotes the code of AIHUA, AIHUA code: “ Z、Y、J、<br>S……” PET denotes the sleeve material ) |
| (4) Voltage / Capacity                     | --V--μF   |
| (5) Negative polarity                      |   |

### 6.2 标记颜色 Color

套管颜色：黑色  
 标记颜色：白  
 Sleeve color: Black  
 Marking color: White

File Description	Approval Sheet				
Component P/N	CRS-WH	Version	01	Page	7
STANDARD MANUAL					

**7 物料编码 PART NO SYSTEM**

**① Category code**

Type	Code
Electrolytic Capacitor	E

**② Series code**

Series name	Code	
WH	2th	3th
	W	H

**③ Voltage code**

WV (V)	Code	
	4th	5th
4	0	G
6.3	0	J
10	1	A
16	1	C
25	1	E
35	1	V
40	1	G
50	1	H
63	1	J
80	1	B
100	1	K
160	2	C
180	2	L
200	2	D
220	2	N
250	2	E
315	2	F
350	2	V
380	2	P
400	2	G
420	2	T
450	2	W
500	2	H

**④ Capacitance tolerance code**

Tol.(%)	Code
	6th
-10~+10	K
-20~+20	M
-10~+30	Q
-10~+50	T
-10~+20	V
0~+20	A
-5~+20	C
-10~-20	B
-5~+5	D
0~+10	E
-5~-20	F
-15~+5	N

**⑤ Capacitance code**

Cap (μF)	Code		
	7th	8th	9th
0.10	R	1	0
0.22	R	2	2
0.33	R	3	3
0.47	R	4	7
0.68	R	6	8
1	0	1	0
2.2	2	R	2
3.3	3	R	3
4.7	4	R	7
6.8	6	R	8
10	1	0	0
22	2	2	0
33	3	3	0
47	4	7	0
68	6	8	0
100	1	0	1
220	2	2	1
330	3	3	1
470	4	7	1
680	6	8	1
1000	1	0	1
2200	2	2	2
3300	3	3	2
4700	4	7	2
6800	6	8	2
10000	1	0	3
22000	2	2	3
33000	3	3	3
68000	6	8	3

**⑥ Size code**

ΦD	Code
	10th
4	C
5	D
6.3	E
8	F
10	G
11	H
12	J
12.5	W
13	K
14	X
16	L
18	M
19	Z
20	N
22	O
25	P
30	Q
35	R
40	Y
51	S
63.5	T
76	U
89	V

L	Code	
	11th	12th
5	0	5
7	0	7
11	1	1
12	1	2
16	1	6
20	2	0
25	2	5
30	3	0
35	3	5
40	4	0
46	4	6
50	5	0
60	6	0
80	8	0
100	A	0
115	B	5
120	C	0
130	D	0
140	E	0
160	G	0
200	K	0

**⑦ Terminal code**

Specification	Code	Size	
		13th	14th
Bulk packing	O	-	-
编带Taping F=5mm (4Φ~8Φ)	P	5	0
Taping F=2.5mm (4Φ~5Φ)	X	2	5
Taped Straight-pack	B	5	0
		3	5
		2	5
		2	0
		1	5
Lead Cut L=3.5mm	C	3	5
Lead Cut L=11.0mm	C	B	0
Lead Forming & cut L=4.5mm	F	4	5
Kink & cut L=4.5mm	J	4	5

**⑧ Sleeve code**

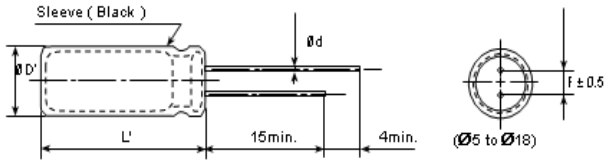
Sleeve	Code
	16th
PVC	C
PET	T

File Description	Approval Sheet				
Component P/N	CRS-WH	Version	01	Page	8
STANDARD MANUAL					

## 8 产品规格 PRODUCT SPECIFICATION

### 8.1 尺寸图 DIMENSIONS (mm)

#### ◆ DIMENSIONS [mm]



ØD	5	6.3	8	10	12.5	16	18
Ød	0.5	0.5	0.5	0.6	0.6	0.6	0.8
F	2.0	2.5	3.5	5.0	5.0	7.5	7.5
ØD'	ØD+0.5max.						
L'	L+2max.						

※  $\Phi D=5 \& L \leq 7, \Phi d=0.45 \text{mm}; \Phi D=5 \& L > 7, \Phi d=0.5 \text{mm}$

※  $\Phi D=8 \& L < 20, \Phi d=0.5 \text{mm}; \Phi D=8 \& L \geq 20, \Phi d=0.6 \text{mm}$

### 8.2 特性参数 CHARACTERISTIC PARAMETERS

#### ※ TABLE-1 : 损耗 Dissipation Factor

损耗 Dissipation Factor	额定工作电压 Rated voltage (Vdc)	6.3	10	16	25	35	50	63	100
	Tan $\delta$ (120Hz) (Max)		0.26	0.19	0.16	0.14	0.12	0.10	0.09

When nominal capacitance exceeds 1,000 $\mu$ F, add 0.02 to the value above for each 1,000 $\mu$ F increase (at 20 $^{\circ}$ C, 120Hz)

#### ※ TABLE-2 : 阻抗比 Max. Impedance Ratio

额定工作电压 Rated voltage (v)	6.3	10	16	25	35	50	63	100
z -25 $^{\circ}$ C/ z 20 $^{\circ}$ C	5	4	3	2				
z -40 $^{\circ}$ C/ z 20 $^{\circ}$ C	12	10	8	5	4	3		

#### ※ TABLE-3 : 浪涌电压 Surge Voltage

额定工作电压 Rated voltage (Vdc)	6.3	10	16	25	35	40	50	63	80	100	120
耐浪涌电压 Surge Test(Vdc)	8	13	20	32	44	50	63	79	100	125	150

#### ※ TABLE-4 : 纹波电流频率因子 RIPPLE CURRENT FREQUENCY

Freq.(Hz)	50	120	300	1k	10k	100k
Cap.<10	0.65	1	1.35	1.75	2.3	2.5
10 $\leq$ Cap.<100	0.75	1	1.25	1.5	1.75	1.8
100 $\leq$ Cap. $\leq$ 1000	0.8	1	1.15	1.3	1.4	1.5
Cap.>1000	0.85	1	1.03	1.05	1.08	1.08

#### ※ TABLE-5 : 纹波电流温度系数 RIPPLE CURRENT TEMPERATURE COEFFICIENT

Capacitor ambient temperature 电容器环境温度	65 $^{\circ}$ C以下	85 $^{\circ}$ C	105 $^{\circ}$ C
Guide limit of max. $\Delta T_x$ 中心温升 $\Delta T_x$ 最大极限值	15 $^{\circ}$ C	10 $^{\circ}$ C	5 $^{\circ}$ C
Temperature coefficient (Actual rms ripple / Rated rms max. ripple) 温度系数 (实际纹波值 / 额定最大纹波值)	1.73	1.41	1.00

NOTE: Temperature coefficient is not used in life formula but for reference.

注: 温度系数不用于寿命计算公式中, 只能作为参考。

File Description	Approval Sheet				
Component P/N	WH	Version	01	Page	9
STANDARD MANUAL					

**8.3标准品一览表 STANDARD RATINGS** (Ripple current :mArms/105°C -120Hz)

WV (V <sub>dc</sub> )	Cap (μF)	Case size ΦD×L(mm)	tanδ	Rated ripple current (mArms)	WV (V <sub>dc</sub> )	Cap (μF)	Case size ΦD×L(mm)	tanδ	Rated ripple current (mArms)	
6.3(0J)	33	5×11	0.26	54	16(1C)	10000	18×35	0.34	2060	
	47	5×11	0.26	64		25(1E)	4.7	5×11	0.14	25
	100	5×11	0.26	94			10	5×11	0.14	36
	220	5×12	0.26	140			22	5×11	0.14	54
	330	6.3×11	0.26	190			33	5×11	0.14	67
	470	6.3×12	0.26	230			47	5×11	0.14	80
	1000	8×12	0.26	380			100	6.3×11	0.14	130
	2200	10×20	0.28	710			220	8×11	0.14	230
	3300	10×20	0.3	840			330	8×12	0.14	310
	4700	12.5×20	0.32	0.9			470	10×13	0.14	380
	6800	12.5×25	0.36	1350			1000	10×20	0.14	680
	10000	16×25	0.44	1650			2200	12.5×25	0.16	1090
	15000	16×35	0.54	2010			3300	16×25	0.18	1400
	22000	18×40	0.68	2350			4700	16×30	0.2	1710
	10(1A)	22	5×11	0.19			46	35(1V)	6800	18×35
33		5×11	0.19	57	4.7		5×11		0.12	28
47		5×11	0.19	68	10	5×11	0.12		41	
100		5×11	0.19	100	22	5×11	0.12		61	
220		6.3×11	0.19	170	33	5×11	0.12		75	
330		6.3×11	0.19	200	47	5×11	0.12		90	
470		8×11	0.19	250	100	6.3×11	0.12		150	
1000		10×13	0.19	460	220	8×12	0.12		270	
2200		10×20	0.21	760	330	10×13	0.12		350	
3300		12.5×20	0.23	1000	470	10×16	0.12		460	
4700		12.5×25	0.25	1260	1000	12.5×20	0.12		810	
6800		16×25	0.29	1570	2200	16×25	0.14		1260	
10000		16×35	0.37	1890	3300	16×35	0.16		1610	
15000		18×35	0.47	2180	4700	18×35	0.18		1910	
16(1C)		10	5×11	0.16	34	50(1H)	0.1		5×11	0.1
	22	5×11	0.16	51	0.22		5×11	0.1	2.9	
	33	5×11	0.16	63	0.33		5×11	0.1	4.3	
	47	5×11	0.16	75	0.47		5×11	0.1	6.2	
	100	5×11	0.16	110	1		5×11	0.1	13	
	220	6.3×11	0.16	180	2.2		5×11	0.1	20	
	330	8×11	0.16	260	3.3		5×11	0.1	25	
	470	8×12	0.16	310	4.7		5×11	0.1	30	
	1000	10×16	0.16	560	10		5×11	0.1	40	
	2200	12.5×20	0.18	920	22		5×11	0.1	65	
	3300	12.5×25	0.2	1170	33		6.3×11	0.1	90	
	4700	16×25	0.22	1480	47		6.3×11	0.1	110	
	6800	16×30	0.26	1780	100		8×11	0.1	180	

File Description	Approval Sheet			
Component P/N	WH	01	Page	10
STANDARD MANUAL				

**8.3标准品一览表 STANDARD RATINGS ( Ripple current :mArms/105°C -120Hz)**

WV (V <sub>ac</sub> )	Cap (μF)	Case size ΦD×L(mm)	tanδ	Rated ripple current (mArms)
50(1H)	220	10×13	0.1	300
	330	10×16	0.1	410
	470	10×20	0.1	530
	1000	12.5×25	0.1	950
	2200	16×25	0.12	1260
	3300	16×35	0.14	1610
	4700	18×35	0.16	1910
63(1J)	22	5×11	0.09	71
	33	6.3×11	0.09	100
	47	6.3×11	0.09	120
	100	10×13	0.09	215
	220	10×16	0.09	335
	330	10×20	0.09	510
	470	12.5×20	0.09	640
	1000	16×25	0.09	930
100(1K)	0.1	5×11	0.08	1.5
	0.22	5×11	0.08	3.4
	0.33	5×11	0.08	5
	0.47	5×11	0.08	7.1
	1	5×11	0.08	15
	2.2	5×11	0.08	21
	3.3	5×11	0.08	29
	4.7	5×11	0.08	62
	10	6.3×11	0.08	54
	22	8×11	0.08	93
	33	8×12	0.08	130
	47	10×12	0.08	165
	100	10×20	0.08	265
	220	12.5×25	0.08	440
	330	16×25	0.08	540
	470	16×30	0.08	715
1000	18×40	0.08	985	

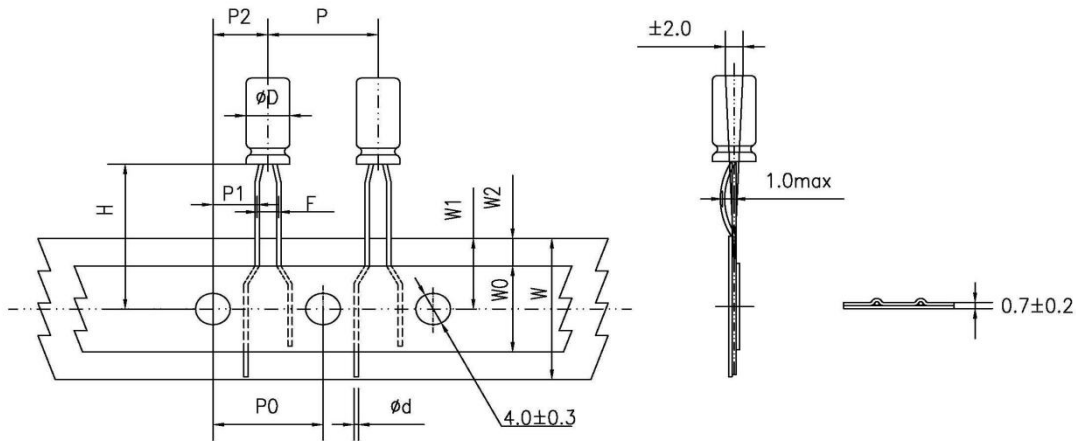
File Description	Approval Sheet				
Component P/N	WH		01	Page	11
STANDARD MANUAL					

## 8 加工型式 LEAD FORMING TYPE

### 8.1 编带 Taping

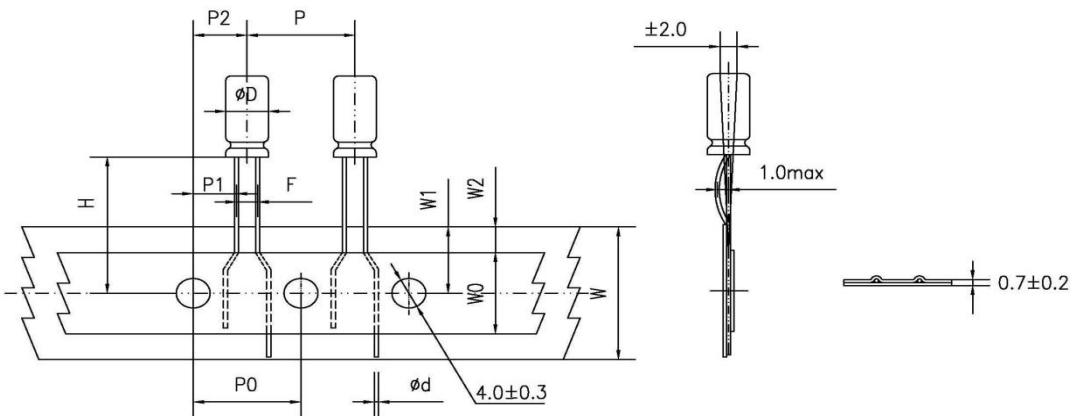
PIN code: X

$\Phi D=4\sim 5$



PIN code: B

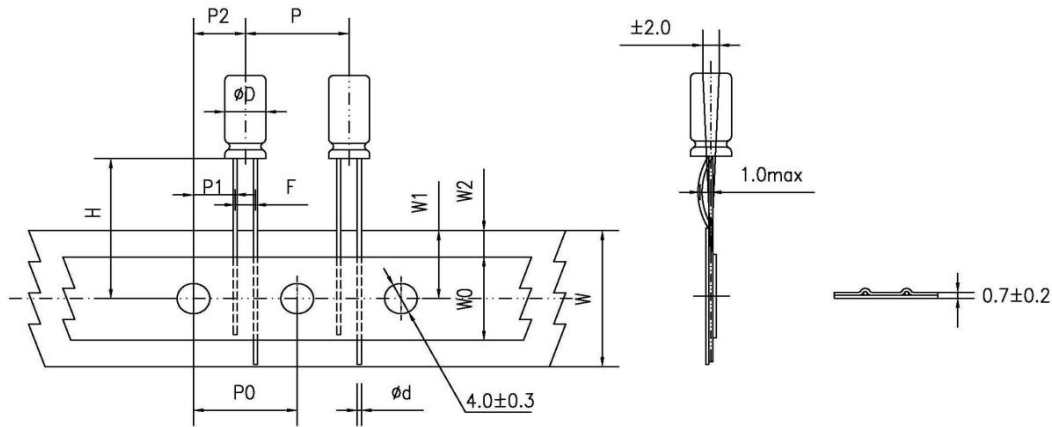
$\Phi D=4\sim 8$



File Description	Approval Sheet				
Component P/N	CRS-WH	Version	01	Page	12
STANDARD MANUAL					

# ALUMINUM ELECTROLYTIC CAPACITOR

PIN code: B  
 $\Phi D=10$

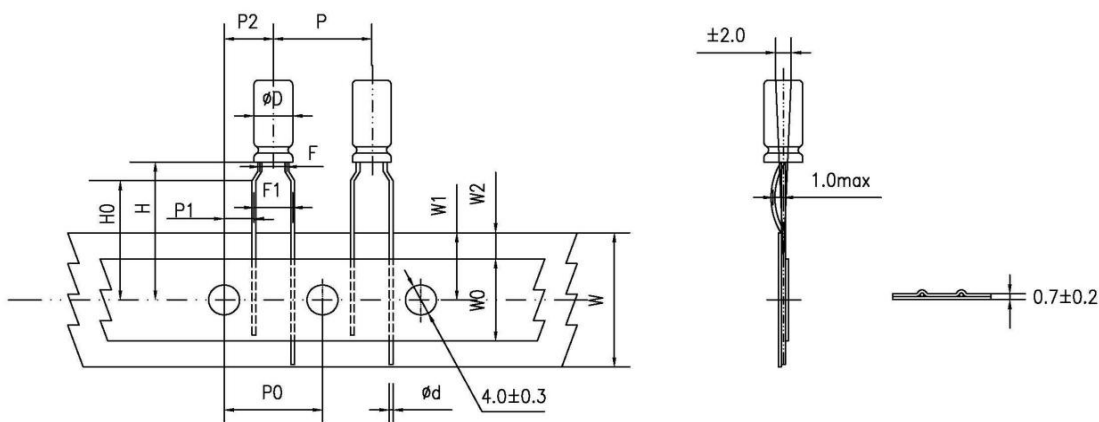


## DIMENSIONS(mm)

Items	Symbol	CASE SIZE											Tolerance			
		4x5 4x7		5x5 5x7		5x11		6.3x5	6.3x7	6.3x11	8x5 8x7 8x11 8x12	8x16 8x20		10x13 10x16 10x20		
Pin Code		X	B	X	B	X	B	B	B	B	B	B	B	B		
Lead wire diameter	$\Phi d$	0.45		0.45		0.5		0.45	0.5	0.5	0.45/0.5		0.5/0.6		0.6	$\pm 0.05$
Pitch of body	P	12.7		12.7		12.7		12.7	12.7	12.7	12.7		12.7		12.7	$\pm 1.0$
Feed hole pitch	P0	12.7		12.7		12.7		12.7	12.7	12.7	12.7		12.7		12.7	$\pm 0.2$
Hole center to lead distance	P1	5.1	5.6	5.1	5.35	5.1	5.35	5.1	5.1	5.1	4.6		4.6		3.85	$\pm 0.7$
Feed hole center to body center distance	P2	6.35		6.35		6.35		6.35	6.35	6.35	6.35		6.35		6.35	$\pm 1.0$
Lead to lead distance	F	2.5	1.5	2.5	2.0	2.5	2.0	2.5	2.5	2.5	3.5		3.5		5.0	$\pm 0.5$
Height of body from tape center	H	18.5		18.5		18.5		18.5	18.5	18.5	18.5		18.5		18.5	$\pm 0.75$
Base tape width	W	18.0		18.0		18.0		18.0	18.0	18.0	18.0		18.0		18.0	$\pm 0.5$
Adhesive tape width	W0	11.0		11.0		11.0		11.0	11.0	11.0	11.0		11.0		11.0	min
Hole position	W1	9.0		9.0		9.0		9.0	9.0	9.0	9.0		9.0		9.0	+0.75 -0.5
Hole down tape position	W2	3.0		3.0		3.0		3.0	3.0	3.0	3.0		3.0		3.0	max

File Description	Approval Sheet				
Component P/N	CRS-WH	Version	01	Page	13
STANDARD MANUAL					

Forming type  
 PIN code: P  
 $\Phi D=4\sim 8$


**DIMENSIONS(mm)**

Items	Symbol	Case Size									Tolerance
		4x5 4x7	5x5	5x7	5x11	6.3x5	6.3x7	6.3x11	8x5 8x7 8x11 8x12	8x16 8x20	
Pin Code		P	P	P	P	P	P	P	P	P	
Lead wire diameter	$\Phi d$	0.45	0.45	0.45	0.5	0.45	0.5	0.5	0.45/0.5	0.5/0.6	$\pm 0.05$
Pitch of body	P	12.7	12.7	12.7	12.7	12.7	12.7	12.7	12.7	12.7	$\pm 1.0$
Feed hole pitch	P0	12.7	12.7	12.7	12.7	12.7	12.7	12.7	12.7	12.7	$\pm 0.2$
Hole center to lead distance	P1	3.85	3.85	3.85	3.85	3.85	3.85	3.85	3.85	3.85	$\pm 0.7$
Feed hole center to body center distance	P2	6.35	6.35	6.35	6.35	6.35	6.35	6.35	6.35	6.35	$\pm 1.0$
Lead to lead distance	F	1.5	2.0	2.0	2.0	2.5	2.5	2.5	3.5	3.5	$\pm 0.5$
Lead to lead distance	F1	5.0	5.0	5.0	5.0	5.0	5.0	5.0	5.0	5.0	+0.8 -0.2
Height of body from tape center	H	18.5	18.5	18.5	18.5	18.5	18.5	18.5	18.5	18.5	$\pm 0.75$
Lead wire clinch height	H0	16.0	16.0	16.0	16.0	16.0	16.0	16.0	16.0	16.0	$\pm 0.5$
Base tape width	W	18.0	18.0	18.0	18.0	18.0	18.0	18.0	18.0	18.0	$\pm 0.5$
Adhesive tape width	W0	11.0	11.0	11.0	11.0	11.0	11.0	11.0	11.0	11.0	min
Hole position	W1	9.0	9.0	9.0	9.0	9.0	9.0	9.0	9.0	9.0	+0.75 -0.5
Hole down tape position	W2	3.0	3.0	3.0	3.0	3.0	3.0	3.0	3.0	3.0	max

File Description	Approval Sheet					
Component P/N	CRS-WH	Version	01	Page	14	
STANDARD MANUAL						



8.2 端子切脚或成型 Lead Cut & Lead Forming

● Lead cut PIN code: C Range: $\Phi 4 \sim \Phi 18$			● Lead forming and cut PIN code: F Range: $\Phi 4 \sim \Phi 8$		
$\Phi D$	F	L	$\Phi D$	F	L
4	1.5	3.0~12.0	4	5.0	3.5, 4.5, 5.0, 7.0
5	2.0	3.0~12.0	5	5.0	3.5, 4.5, 5.0, 7.0
6.3	2.5	3.0~12.0	6.3	5.0	3.5, 4.5, 5.0, 7.0
8	3.5	3.0~12.0	8	5.0	3.5, 4.5, 5.0, 7.0
10	5.0	3.0~12.0	-	-	-
12.5	5.0	3.0~12.0	-	-	-
16	7.5	3.0~12.0	-	-	-
18	7.5	3.0~12.0	-	-	-

● Kink & Cutting PIN code: J Range: $\Phi 10 \sim \Phi 18$		
$\Phi D$	F	L
10	5.0	4.0, 4.5, 5.0
12.5	5.0	4.0, 4.5, 5.0
16	7.5	4.0, 4.5, 5.0
18	7.5	4.0, 4.5, 5.0

File Description	Approval Sheet				
Component P/N	CRS-WH	Version	01	Page	15
STANDARD MANUAL					

### 9 包装PACKING

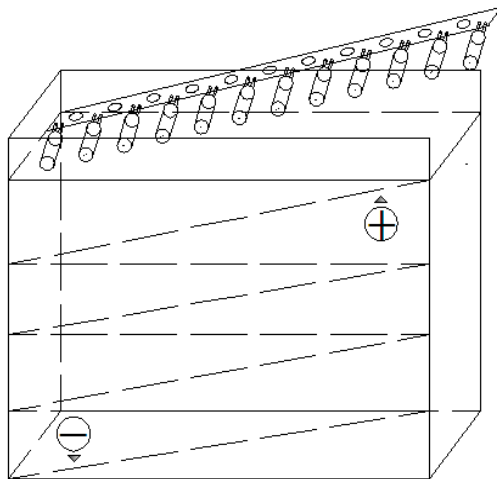
**包装标签内容 Label on the packaging box or bag (The following items shall be marked on the label)**  
(Inside box or bag) :

1 系列 Series    2 料号 P/N    3 容量 Rated Capacitance    4 电压 Rated Voltage  
5 数量 Quantity    6 尺寸 Size

**批号的填写 LOT Number :**

*	*	1	2	3	4	5	6	7	8
代码 Code		月份 Month		年份 Year		序号 Number			

**编带产品按下图包装 Taped Packing**



**散包装按下图包装方式 Bulk Packing**



外箱 carton



内盒 inner box

File Description	Approval Sheet				
Component P/N	CRS-WH	Version	01	Page	16
STANDARD MANUAL					

## 10 其它说明 OTHER REMARKS

### 10.1 铝电解电容器使用注意事项

Important Information On The Application Of Aluminium Electrolytic Capacitors

#### (1) 直流铝电解电容器应按正确的极性使用 DC aluminium electrolytic capacitors are normally polarized

当直流铝电解电容器按反极性接入电路时，电容器会导致电子线路短路，由此产生的电流会引致电容器损坏。若电路中有可能在负引线施加正电压，请选用无极性产品。

When reverse voltage is applied on DC aluminium electrolytic capacitor the circuit will be short out and the capacitor will be damaged due to abnormal current flows through the capacitor. Please use non-polar types of capacitors the positive voltage is applied on the cathode terminal.

#### (2) 在额定工作电压以下使用 Use capacitor within rated voltage

当电容器上所施加电压高于额定工作电压时，电容器的漏电流将上升，其电气特性将在短时间内劣化直至损坏。请注意电压峰值勿超出额定工作电压。

When capacitor is used at higher voltage than the rated voltage, leakage current may increase and characteristics may be deteriorated and damaged in a short period. Please take extra caution that the peak voltage should not exceed the rated voltage.

#### (3) 作快速充放电使用 Sudden charge and discharge

当常规电容器被用作快速充电用途，其使用寿命可能会因为容量下降，温度急剧上升等而缩减。

When aluminium electrolytic capacitors for general purpose-use are employed in rapid charge and discharge its life may be shortened resulted from capacitance decrease, heat rise, etc.

#### (4) 电容器储存 Storage of the capacitor

##### ① 请保管在室温5~35℃，湿度75%以下的环境。

We recommend the following conditions for storage: Ambient temperature: 5~35°C, Ambient humidity: <75%RH;

a) 产品储存期限: ≤12个月; Storage life: ≤12 months;

b) 产品储存期限>12个月时，需充电后再使用; If storage life>12 months, the products need to be charged again before using;

c) 存放时间超过3年的电解电容器应报废处理; If storage time >three years, the products need to be discarded;

d) 库存有效期以套管上印刷的时间开始计算; Expiry date: calculating from the date marked on the sleeve;

e) 请尽量以包装状态保管; Please keep capacitors in the original package;

f) 请避免在以下环境中保管: Avoid storing the capacitors under such circumstances:

※ 溅水、高温高湿及结露的环境。With water and oil or damp & dewing location .

※ 溅油、或者充满气体油成分的环境。With gas and oil.

※ 充满酸性有毒气体（硫化氢，亚硫酸，亚硝酸，氯，溴，溴化甲烷等）的环境。

With toxic gases such as hydrogen sulfide, sulfurous acid, nitrous acid, chlorine, bromine and methane.

※ 阳光、臭氧、紫外线及放射线照射的环境。With direct sunlight, Ozone, ultraviolet rays or radiation.

##### ② 当电容器长期储存后，漏电流会升高，温度愈高，漏电流上升愈快，因此应注意储存环境。在电容器上施加电压后，漏电流值将下降，如铝电解电容器的漏电流上升对电路有不良影响，请在使用前充电处理。

Leakage current tends to increase when capacitors have been stored for long period of time. The higher storage Temp. rise, the higher leakage current increase. Please take caution when selecting the storage location. The leakage current will decrease gradually as voltage is applied to the capacitor. The capacitor is subjected to aging before using where increased leakage may cause problems in the circuit.

#### (5) 施加纹波电流应小于额定值 Use capacitor within rated ripple current

施加纹波电流超过额定值后，会导致电容器体过热，容量下降，寿命缩短。电容器上标注了额定电压，请将和直流电压叠加的纹波电压的峰值控制在额定工作电压以下。

If excessive ripple current is applied on the capacitor, excessive heat will be generated inside, the capacitance be reduced and capacitor's life shall be shortened. Rated voltage has been marked on the capacitor; therefore, the peak value of the ripple voltage should be less than the rated voltage.

File Description	Approval Sheet				
Component P/N	CRS-WH	Version	01	Page	17
STANDARD MANUAL					

### (6) 使用环境温度 Ambient temperature

铝电解电容器使用寿命会受到环境温度的影响。据科学统计，使用环境温度下降10°C其使用寿命增加1倍。

Life of aluminium electrolytic capacitor is affected by the ambient temperature. It is generally known that the life doubles for each 10°C decrease in temperature.

### (7) 引出线强度 Tensile strength of lead wire

当拉力施加到电容器引出线，该拉力将作用于电容器内部，这可能导致电容器内部短路，开路或漏电流上升。在电容器焊装到电路板，请勿强烈摇动电容器。

When a strong force is applied to the lead wires or terminals, stress is put on the internal connections, which may result in short circuit, open circuit or leakage current increase. Therefore it is not advisable to bend or handle a capacitor after it has been to the PC board.

### (8) 焊接过程耐热性 Heat resistance at the soldering process

当电容器装至电路板浸焊或波峰焊时，其塑料套管可能因焊接时间过长、温度过高而发生破裂或二次收缩。

During soldering process, secondary shrinkage or sleeve crack may occur when soldering temperature is too high or soldering time is too long.

### (9) 电路板的安装孔孔距及安装位置 Hole pitch and position of PC board

电路板安装孔的设计应与产品说明书的引线脚距相一致，如果将电容器强行插入孔距不配套的电路板，那么会有应力作用于引出线，这可能导致短路或漏电流上升。

When designing a PC board, its hole pitch should be designed to coincide with the lead pitch(lead spacing) of the specified in the catalog or specifications. When a capacitor is forcibly inserted into an unmatched hole pitch, a will put on the leads and which could result in a short circuit or increased leakage current.

### (10) 关于焊接以后的清洗 Cleaning after soldering

①电容器不能用卤化有机物系列的清洗剂进行清洗。如果必须清洗，请使用能够保证电容器质量的清洗剂。

The aluminium electrolytic capacitors should be free of halogenated solvents during board cleaning after soldering. Use solvent proof capacitors when halogenated solvents are used.

②对于能够保证电容器质量的清洗剂，清洗后请不要在清洗溶液或者密封容器中保管。清洗后的电容器请和电路板一起在热风下干燥10分钟以上，热风的温度不可高于电容器规定上限温度。

After cleaned with the solvent which can guarantee the quality of capacitors, the capacitors should not be kept in solvent environments of non-ventilated places. Let the capacitors after cleaning dry with hot blast fully above 10 mins and the temperature of hot blast should not be over than specified upper limit of that of capacitors.

### (11) 关于固定剂以及镀层（涂层剂） Adhesives、fixative and coating materials(coating agent)

①请不要使用含有卤化有机物系列的固定剂及镀层（涂层剂）。

Do not use halogenated adhesives and coating materials to fix aluminium electrolytic capacitors.

②请不要让固定剂及镀层（涂层剂）将电容器封口部位（端子一侧）全部封住。

Do not cover up all the sealing area of capacitors with adhesives、fixative or coating materials(coating agent),make coverage only partial.

## 10.2 符合 RoHS RoHS Compliance

符合欧盟RoHS的最新标准，若客户有特殊要求，按照双方签订的相关协议为准。

Completely in accordance with the latest standard of RoHS or relevant agreements reached by both parts if customer has special requirements.

File Description	Approval Sheet				
Component P/N	CRS-WH	Version	01	Page	18
STANDARD MANUAL					

## X-ON Electronics

Largest Supplier of Electrical and Electronic Components

*Click to view similar products for [Aluminum Electrolytic Capacitors - Leaded](#) category:*

*Click to view products by [Aihua](#) manufacturer:*

Other Similar products are found below :

[LXY50VB4.7M-5X11](#) [MAL203125221E3](#) [MAL204216159E3](#) [ESMG101ETD100MF11S](#) [RBC-25V-10UF-4X7](#) [RE3-35V222MJ6#](#) [RFO-100V471MJ7P#](#) [B41041A2687M8](#) [B41041A7226M8](#) [B41044A7157M6](#) [EKRG250ELL100MD07D](#) [EKXG201EC3101ML20S](#)  
[EKXG351ETD6R8MJ16S](#) [EKZM160ETD471MHB5D](#) [EPA-201ELL151MM25S](#) [NCD681K10KVY5PF](#) [NRLF103M25V35X20F](#)  
[KM4700/16](#) [KME50VB100M-8X11.5](#) [RXJ222M1EBK-1625](#) [SG220M1CSA-0407](#) [ES5107M016AE1DA](#) [ESX472M16B](#) [MAL211929479E3](#)  
[40D506F050DF5A](#) [TE1202E](#) [36DA273F050BB2A](#) [KME25VB100M-6.3X11](#) [511D336M250EK5D](#) [511D337M035CG4D](#)  
[515D477M035CG8PE3](#) [052687X](#) [EKMA500ELL4R7ME07D](#) [EKRG100ETC221MF09D](#) [NRE-S560M16V6.3X7TBSTF](#)  
[ERZA630VHN182UP54N](#) [MAL214099813E3](#) [MAL211990518E3](#) [MAL204281229E3](#) [NEV680M35EF](#) [686KXM050M](#) [ERS1VM222L30OT](#)  
[EGW2GM150W16OT](#) [EGS2GM6R8G12OC](#) [EHS2GM220W20OT](#) [ERF1VM222L30OT](#) [ERF1KM151G20OT](#) [EKZE500ELL101MHB5D](#)  
[EKMM251VSN221MP25S](#) [RGA221M1HBK-1016G](#)