



湖南艾华集团股份有限公司

HUNAN AIHUA GROUP CO.,LTD

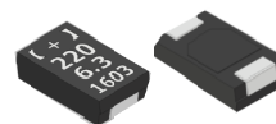
# **POLYMER ALUMINUM SOLID ELECTROLYTIC CAPACITORS**

**CATEGORY: MULTI-LAYER TYPE**

**SERIES: A1**

**EDITION: Rev.A (2019)**

# A1 Series

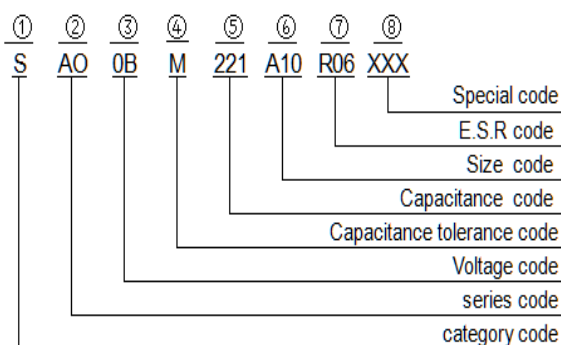


- ▶ Endurance :2000 hours at 105 °C
- ▶ Low ESR
- ▶ Recommended Applications: System Board ,Display Card, Small Changer
- ▶ RoHS Compliance and lead-free

## ◆ Specifications

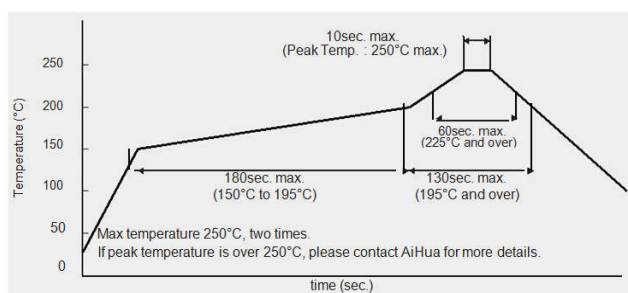
Items	Performance Characteristics
Operating Temperature Range	- 55°C ~ 105°C
Rated Working Voltage Range	2V ~35V.DC
Nominal Capacitance Range	2.2μF~560μF
Capacitance Tolerance	±20%(M) (at 20°C,120Hz)
DC Leakage Current	$I \leq 0.06CV$ ( $\mu A$ ) 2 minutes (2V ~ 10V.DC) $I \leq 0.1CV$ ( $\mu A$ ) 2 minutes (12.5V ~ 35V.DC)
tan $\delta$	$\leq 0.06 \sim 0.1$ (120HZ,20°C)
Surge Voltage	Rated voltage x 1.25 (2V.DC to 16V.DC) ,x1.15(20V.DC to 25V.DC) (15°C ~ 35°C)
Endurance (+105°C, 2,000 hours, rated voltage applied)	$\Delta C/C$ Within $\pm 20\%$ of the initial measured value
	tan $\delta$ $\leq 150\%$ of the initial specified value
	LC $\leq$ The initial specified value
	ESR $\leq 200\%$ of the initial specified value
Moisture Resistance After storing for 500 hours at 60°C, 90%RH	$\Delta C/C$ +70, -20% (2V~2.5V.DC) +60, -20% (4V.DC) +50, -20% (6.3V~7.5V.DC) +40, -20%(8V~35V)
	tan $\delta$ $\leq 200\%$ of the initial specified value
	LC $\leq$ The initial specified value

## ◆ Part Numbering

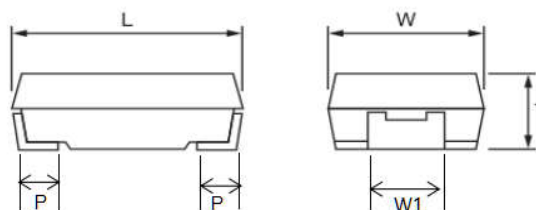
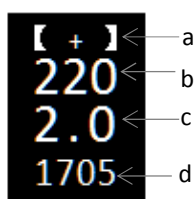


## ◆ Reflow Soldering Conditions

### Recommended Reflow Profile



## ◆ Mark & Dimension



- a): Polarity code
- b): Capacitance code
- c): Rated voltage code
- d): Date code

Series Code	L(±0.3)	W(±0.2)	T(±0.2)	P(±0.2)	W1 (±0.2)
A1	7.3	4.3	1.9	1.3	2.4

◆ STANDARD RATINGS

Rated Voltage VDC	Cap. (uF)120HZ, 20°C	Size (LxWxT mm)	Cap Tolerance(%)	ESR (mΩ),20°C 100kHz (max.)	Rated ripple current(mArms) 100kHz, 20°C -105°C	Leakage Current (uA max) 20°C	Min. Packaging Quantity (PCS)	Part Number
2	68	7.3*4.3*1.9	M	40	1800	13.6	3500	SA10BM680A19R40XXX
2	100	7.3*4.3*1.9	M	16	2000	20.0	3500	SA10BM101A19R16XXX
2	150	7.3*4.3*1.9	M	9	3000	30.0	3500	SA10BM151A19R09XXX
2	220	7.3*4.3*1.9	M	9	3000	44.0	3500	SA10BM221A19R09XXX
2	220	7.3*4.3*1.9	L	9	3000	44.0	3500	SA10BL221A19R09XXX
2	270	7.3*4.3*1.9	M	9	3500	54.0	3500	SA10BM271A19R09XXX
2	300	7.3*4.3*1.9	M	9	3500	60.0	3500	SA10BM301A19R09XXX
2	330	7.3*4.3*1.9	M	6	3500	66.0	3500	SA10BM331A19R06XXX
2	330	7.3*4.3*1.9	M	7	3500	66.0	3500	SA10BM331A19R07XXX
2	330	7.3*4.3*1.9	M	9	3500	66	3500	SA10BM331A19R09XXX
2	330	7.3*4.3*1.9	L	7	3500	66	3500	SA10BL331A19R07XXX
2	330	7.3*4.3*1.9	L	9	3500	66.0	3500	SA10BL331A19R0935X
2	330	7.3*4.3*1.9	L	9	5400	66.0	3500	SA10BL331A19R0954X
2	330	7.3*4.3*1.9	L	9	3500	66	3500	SA10BL331A19R09XXX
2	470	7.3*4.3*1.9	M	4.5	3500	94.0	3500	SA10BM471A19R04XXX
2	470	7.3*4.3*1.9	M	6	3500	94.0	3500	SA10BM471A19R06XXX
2	470	7.3*4.3*1.9	M	9	3500	94.0	3500	SA10BM471A19R09XXX
2.5	47	7.3*4.3*1.9	M	40	1800	11.8	3500	SA10EM470A19R40XXX
2.5	100	7.3*4.3*1.9	M	16	2000	25.0	3500	SA10EM101A19R16XXX
2.5	150	7.3*4.3*1.9	M	9	3000	37.5	3500	SA10EM151A19R09XXX
2.5	180	7.3*4.3*1.9	M	9	3000	45.0	3500	SA10EM181A19R09XXX
2.5	220	7.3*4.3*1.9	M	9	3000	55.0	3500	SA10EM221A19R09XXX
2.5	220	7.3*4.3*1.9	L	9	3000	55.0	3500	SA10EL221A19R0930X
2.5	220	7.3*4.3*1.9	L	9	3000	55.0	3500	SA10EL221A19R09XXX
2.5	270	7.3*4.3*1.9	M	9	3500	67.5	3500	SA10EM271A19R09XXX
2.5	330	7.3*4.3*1.9	M	7	3500	82.5	3500	SA10EM331A19R07XXX
2.5	330	7.3*4.3*1.9	M	4.5	3500	82.5	3500	SA10EM331A19R04XXX
2.5	330	7.3*4.3*1.9	M	9	3500	82.5	3500	SA10EM331A19R09XXX
2.5	470	7.3*4.3*1.9	M	4.5	3500	117.5	3500	SA10EM471A19R04XXX
2.5	470	7.3*4.3*1.9	M	6	3500	117.5	3500	SA10EM471A19R06XXX
4	68	7.3*4.3*1.9	M	20	1900	27.2	3500	SA10GM680A19R20XXX
4	82	7.3*4.3*1.9	M	16	2100	32.8	3500	SA10GM820A19R16XXX
4	120	7.3*4.3*1.9	M	16	2100	48.0	3500	SA10GM121A19R16XXX
4	150	7.3*4.3*1.9	M	16	2100	60.0	3500	SA10GM151A19R16XXX
4	220	7.3*4.3*1.9	M	15	3000	88.0	3500	SA10GM221A19R15XXX
6.3	4.7	7.3*4.3*1.9	M	120	1000	3.0	3500	SA10JM47A19RA2XXX
6.3	10	7.3*4.3*1.9	M	55	1000	6.3	3500	SA10JM100A19R55XXX
6.3	22	7.3*4.3*1.9	M	45	1000	13.9	3500	SA10JM220A19R45XXX
6.3	22	7.3*4.3*1.9	M	80	1000	13.9	3500	SA10JM220A19R80XXX
6.3	33	7.3*4.3*1.9	M	80	1800	20.8	3500	SA10JM330A19R80XXX
6.3	47	7.3*4.3*1.9	M	25	1800	29.6	3500	SA10JM470A19R25XXX
6.3	47	7.3*4.3*1.9	M	35	1800	29.6	3500	SA10JM470A19R35XXX
6.3	47	7.3*4.3*1.9	M	40	1800	29.6	3500	SA10JM470A19R40XXX
6.3	68	7.3*4.3*1.9	M	15	2000	42.8	3500	SA10JM680A19R15XXX
6.3	100	7.3*4.3*1.9	M	15	2000	63.0	3500	SA10JM101A19R15XXX
6.3	100	7.3*4.3*1.9	M	20	1900	63.0	3500	SA10JM101A19R20XXX
6.3	120	7.3*4.3*1.9	M	10	3000	75.6	3500	SA10JM121A19R10XXX
6.3	150	7.3*4.3*1.9	M	10	3000	94.5	3500	SA10JM151A19R10XXX
6.3	150	7.3*4.3*1.9	M	15	3000	94.5	3500	SA10JM151A19R15XXX
6.3	180	7.3*4.3*1.9	M	15	3000	113.4	3500	SA10JM181A19R15XXX
6.3	220	7.3*4.3*1.9	M	10	3000	138.6	3500	SA10JM221A19R10XXX
6.3	220	7.3*4.3*1.9	M	15	3000	138.6	3500	SA10JM221A19R1530X
6.3	220	7.3*4.3*1.9	L	15	3000	138.6	3500	SA10JL221A19R15XXX
6.3	220	7.3*4.3*1.9	M	15	3000	138.6	3500	SA10JM221A19R15XXX
7.5	150	7.3*4.3*1.9	M	10	3000	112.5	3500	SA10AM151A19R10XXX
7.5	200	7.3*4.3*1.9	M	12	3000	150.0	3500	SA10AM201A19R12XXX



## X-ON Electronics

Largest Supplier of Electrical and Electronic Components

*Click to view similar products for [Polymer Capacitors](#) category:*

*Click to view products by [Aihua](#) manufacturer:*

Other Similar products are found below :

[ORZ271M1CCC-08087](#) [SA10JM220A19R45XXX](#) [SA10JM470A19R25XXX](#) [ACAH100S101E40Y](#) [BC6R3M471LC6.3x8L-1A42R5L=10±0.5T](#) [160AR5K101M0609C](#) [160AR5K271M0809G13](#) [160ARCP331M06X8PZ](#) [160ARCP331M06X8PZP00](#) [160ARCP331M06X8PZT](#) [160ARCP471M06A1PZ](#) [160AREP102M10A2](#) [160AREP221M06X8](#) [160AREP331M05A0PFBT](#) [160AREP331M05A1](#) [160AREP681M08A2](#) [160AVCA101M0506E30](#) [160AVEA221M0608](#) [16SVPG270M](#) [6SEPC470MX+TSS](#) [10SVQP120M](#) [250ARCP221M06A0T](#) [250ARHA471M08A2](#) [250AVHA470M0606](#) [OCV221M0JTR0807](#) [20SEF120M](#) [35SVPK82M](#) [16SVF560M](#) [35SVPK47M](#) [OCV470M1DTR-0807](#) [16SVF270M](#) [16SEF560M](#) [OCV221M0JTR-0607](#) [16SEF1000M](#) [35SVPK330M](#) [RNE0J122MDN1](#) [ORE471M1CBK-1012](#) [350ARCP101M06X8P00](#) [350AVCA470M0606E38](#) [6R3ARCP271M05X7P00](#) [6R3ARCP271M05X7PFBT](#) [6R3ARCP471M06X8PZ](#) [6R3ARCP471M06X8PZP00](#) [6R3ARCP561M06X8PZP00](#) [6R3ARCP681M06X8PZ](#) [6R3AREP102M06A0P00](#) [6R3AREP391M05X8](#) [6R3AREP471M05X8](#) [6R3AREP681M05A1](#) [6R3AVEA561M0608](#)