



FEATURES:

- RoHS compliant
- 24 Pin DIP Package
- Wide 2:1 input range
- High efficiency up to 86%
- Operating temperature -40°C to + 85°C
- Input / Output Isolation 1500VDC & 3000VDC
- Pin compatible with multiple manufacturers
- Continuous short circuit protection



Models

Single output

Model	Input Voltage (V)	Output Voltage (V)	Output Current max (mA)	Isolation (VDC)	Max. Cap. Load (µF)	Efficiency (%)
AM3T-0505S-PNZ	4.5-9	5	600	1500	4700	74
AM3T-0512S-PNZ	4.5-9	12	250	1500	2700	77
AM3T-0515S-PNZ	4.5-9	15	200	1500	2200	77
AM3T-1203S-PNZ	9-18	3.3	909	1500	4700	74
AM3T-1205S-PNZ	9-18	5	600	1500	4700	81
AM3T-1212S-PNZ	9-18	12	250	1500	2700	83
AM3T-1215S-PNZ	9-18	15	200	1500	2200	82
AM3T-1224S-PNZ	9-18	24	125	1500	1800	83
AM3T-2403S-PNZ	18-36	3.3	909	1500	4700	78
AM3T-2405S-PNZ‡	18-36	5	600	1500	4700	81
AM3T-2409S-PNZ	18-36	9	333	1500	2700	81
AM3T-2412S-PNZ	18-36	12	250	1500	2700	86
AM3T-2415S-PNZ‡	18-36	15	200	1500	2200	86
AM3T-2424S-PNZ	18-36	24	125	1500	1800	85
AM3T-4803S-PNZ	36-75	3.3	909	1500	4700	76
AM3T-4805S-PNZ	36-75	5	600	1500	4700	82
AM3T-4812S-PNZ	36-75	12	250	1500	2700	86
AM3T-4815S-PNZ	36-75	15	200	1500	2200	86
Isolation 3000VDC						
AM3T-0505SH30-PNZ	4.5-9	5	600	3000	4700	74
AM3T-0512SH30-PNZ	4.5-9	12	250	3000	2700	77
AM3T-0515SH30-PNZ	4.5-9	15	200	3000	2200	77
AM3T-1203SH30-PNZ	9-18	3.3	909	3000	4700	74
AM3T-1205SH30-PNZ	9-18	5	600	3000	4700	81
AM3T-1212SH30-PNZ	9-18	12	250	3000	2700	83
AM3T-1215SH30-PNZ	9-18	15	200	3000	2200	82
AM3T-1224SH30-PNZ	9-18	24	125	3000	1800	83
AM3T-2403SH30-PNZ	18-36	3.3	909	3000	4700	78
AM3T-2405SH30-PNZ‡	18-36	5	600	3000	4700	81
AM3T-2412SH30-PNZ	18-36	12	250	3000	2700	86
AM3T-2415SH30-PNZ‡	18-36	15	200	3000	2200	86
AM3T-2424SH30-PNZ	18-36	24	125	3000	1800	85
AM3T-4803SH30-PNZ	36-75	3.3	909	3000	4700	76
AM3T-4805SH30-PNZ	36-75	5	600	3000	4700	82
AM3T-4812SH30-PNZ	36-75	12	250	3000	2700	86
AM3T-4815SH30-PNZ	36-75	15	200	3000	2200	86

‡ Reference in the Safety table.

Models

Dual output

Model	Input Voltage (V)	Output Voltage (V)	Output Current max (mA)	Isolation (VDC)	Max. Cap. Load (µF)	Efficiency (%)
AM3T-0505D-PNZ	4.5-9	±5	±300	1500	±2200	76

AM3T-0512D-PNZ	4.5-9	±12	±125	1500	±1800	78
AM3T-0515D-PNZ	4.5-9	±15	±100	1500	±1000	78
AM3T-1205D-PNZ	9-18	±5	±300	1500	±2200	81
AM3T-1209D-PNZ	9-18	±9	±166	1500	±1800	84
AM3T-1212D-PNZ	9-18	±12	±125	1500	±1800	84
AM3T-1215D-PNZ	9-18	±15	±100	1500	±1000	85
AM3T-2405D-PNZ	18-36	±5	±300	1500	±2200	82
AM3T-2412D-PNZ	18-36	±12	±125	1500	±1800	84
AM3T-2415D-PNZ	18-36	±15	±100	1500	±1000	84
AM3T-4805D-PNZ	36-75	±5	±300	1500	±2200	82
AM3T-4812D-PNZ	36-75	±12	±125	1500	±1800	84
AM3T-4815D-PNZ	36-75	±15	±100	1500	±1000	85
AM3T-0505DH30-PNZ	4.5-9	±5	±300	3000	±2200	76
AM3T-0512DH30-PNZ	4.5-9	±12	±125	3000	±1800	78
AM3T-0515DH30-PNZ	4.5-9	±15	±100	3000	±1000	78
AM3T-1205DH30-PNZ	9-18	±5	±300	3000	±2200	81
AM3T-1209DH30-PNZ	9-18	±9	±166	3000	±1800	84
AM3T-1212DH30-PNZ	9-18	±12	±125	3000	±1800	84
AM3T-1215DH30-PNZ	9-18	±15	±100	3000	±1000	85
AM3T-2405DH30-PNZ	18-36	±5	±300	3000	±2200	82
AM3T-2412DH30-PNZ	18-36	±12	±125	3000	±1800	84
AM3T-2415DH30-PNZ	18-36	±15	±100	3000	±1000	84
AM3T-4803DH30-PNZ	36-75	±3.3	±454	3000	±2200	76
AM3T-4805DH30-PNZ	36-75	±5	±300	3000	±2200	82
AM3T-4812DH30-PNZ	36-75	±12	±125	3000	±1800	84
AM3T-4815DH30-PNZ	36-75	±15	±100	3000	±1000	85

NOTE: All specifications are measured at an ambient temperature of 25°C, humidity<75%, nominal input voltage and at rated output load unless otherwise specified.

Input Specifications

Parameters	Nominal	Typical	Maximum	Units
Voltage range	5 Vin	4.5-9		VDC
	12 Vin	9-18		
	24 Vin	18-36		
	48 Vin	36-75		
Filter	π (Pi) Network			
Absolute Maximum (1sec max)	5 Vin		12	VDC
	12 Vin		25	
	24 Vin		50	
	48 Vin		100	
Input Reflected Ripple current		30		mA

Isolation Specifications

Parameters	Conditions	Typical	Maximum	Units
Tested I/O voltage	60 sec, <1mA	1500 & 3000		VDC
Resistance	Isolation Voltage 500VDC	> 1000		MOhm
Capacitance	I/O 1500VDC, 100KHz, 0.1V	120	50	pF
	I/O 3000VDC, 100KHz, 0.1V	30		

Output Specifications

Parameters	Conditions	Typical	Maximum	Units
Voltage accuracy		±1	±3	%
Dual Output Voltage Balance	Balanced Loads	±0.5	±1	%
Short Circuit protection	Continuous			
Short circuit restart	Auto-recovery			
Line voltage regulation	LL-HL, full load	±0.2	±0.5	%
Load voltage regulation	5% - 100% load	±0.2	±0.5	%
Temperature coefficient			±0.03	%/°C

Ripple & Noise	20MHz bandwidth	80		mV p-p
Transient Recovery Time	25% Load Step	0.5	2	ms
Transient Deviation	25% Load Step	±2	±5	%

General Specifications

Parameters	Conditions	Typical	Maximum	Units
Switching frequency	100% load, PFM	200		KHz
Operating temperature	No derating	-40 to +85		°C
Storage temperature		-55 to +125		°C
Max Case temperature			100	°C
Lead Temperature	1.5mm from case for 10 Seconds		300	°C
Cooling	Free air convection			
Humidity			95	%
Case material	Black plastic (UL94-V0)			
Weight		14		g
Dimensions (L x W x H)	1.24 x 0.80 x 0.40 inches 31.60 x 20.30 x 10.20mm			
MTBF	>1 000 000 hrs (MIL-HDBK -217F, Ground Benign, t=+25°C)			

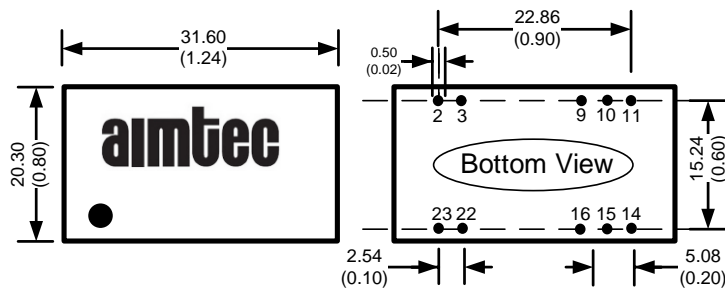
Safety Specifications

Parameters	
Approval	UL (± models)
Standards	IEC/EN/UL60950-1 EN 55022, Class B, with external filter & EN 55024: 2010 IEC 61000-4-2, Contact ±4KV/Air ±8KV, Criteria B IEC 61000-4-3, 10V/m, Criteria A IEC 61000-4-4, ±2KV, Criteria B, with external filter IEC 61000-4-5, ±2KV, Criteria B, with external filter IEC 61000-4-6, 3Vrms, Criteria A IEC 61000-4-29, 0-70%, Criteria B

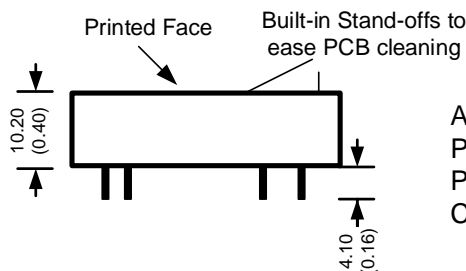
Pin Out Specifications

Pin	Single	Dual
2	-V Input	-V Input
3	-V Input	-V Input
9	N.C.	Common
10	N.C.	N.C.
11	N.C.	-V Output
14	+V Output	+V Output
15	N.C.	N.C.
16	-V Output	Common
22	V+ Input	+V Input
23	V+ Input	+V Input

Dimensions

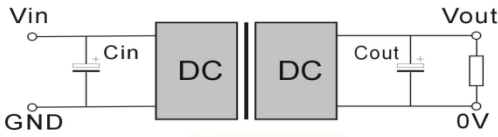


N.C.: not connected

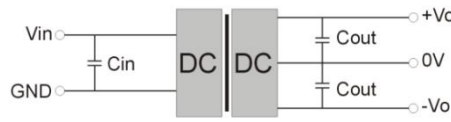


All dimensions are typical: millimeters (inches)
Pin Diameter: 0.50 ± 0.10 (0.02 ± 0.004)
Pin Pitch Tolerance: ± 0.35 (±0.014)
Case Tolerance: ± 0.5 (±0.02)

Filtering Single output

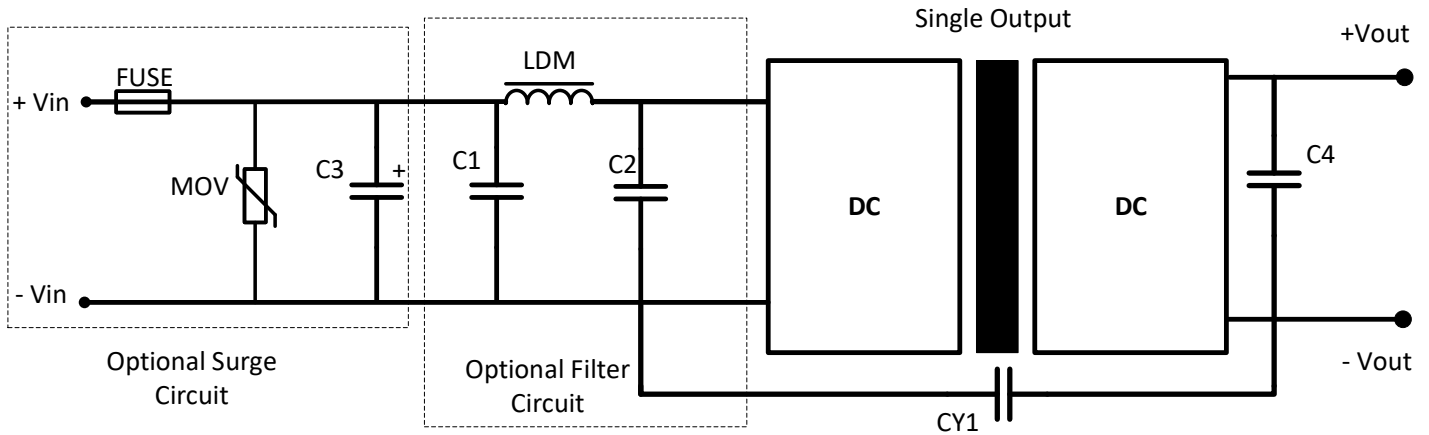


Filtering Dual output



Vin (VDC)	Cin (uF)	Cout (uF)
5 & 12	100	10
24 & 48	10-47	10

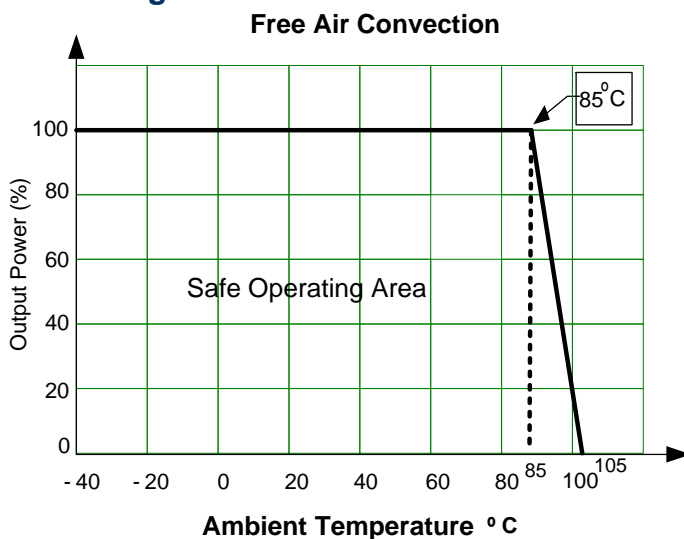
EMC Recommended Circuit



Model	C1 & C2	C3	C4	LDM	MOV	CY1
5 Vin	4.7 μ F / 50V	1000 μ F / 16V	10 μ F	12 μ H	-	1 nF / 2KV – 1500VDC models 1 nF / 3KV – 3000VDC models
12 Vin	4.7 μ F / 50V	1000 μ F / 25V				
24 Vin	4.7 μ F / 50V	330 μ F / 50V				
48 Vin	4.7 μ F / 100V	330 μ F / 100V				

Note: Fuse is user selectable

Derating



NOTE: 1. Datasheets are updated as needed and as such, specifications are subject to change without notice. Once printed or downloaded, datasheets are no longer controlled by Aimtec; refer to www.aimtec.com for the most current product specifications. 2. Product labels shown, including safety agency certifications on labels, may vary based on the date manufactured. 3. Mechanical drawings and specifications are for reference only. 4. All specifications are measured at an ambient temperature of 25°C, humidity < 75%, nominal input voltage and at rated output load unless otherwise specified. 5. Aimtec may not have conducted destructive testing or chemical analysis on all internal components and chemicals at the time of publishing this document. CAS numbers and other limited information are considered proprietary and may not be available for release. 6. This product is not designed for use in critical life support systems, equipment used in hazardous environments, nuclear control systems or other such applications which necessitate specific safety and regulatory standards other than the ones listed in this datasheet. 7. Warranty is in accordance with Aimtec's standard Terms of Sale available at www.aimtec.com.

X-ON Electronics

Largest Supplier of Electrical and Electronic Components

Click to view similar products for [Isolated DC/DC Converters](#) category:

Click to view products by [Aimtec](#) manufacturer:

Other Similar products are found below :

[PSL486-7LR](#) [Q48T30020-NBB0](#) [JAHW100Y1](#) [SPB05C-12](#) [SQ24S15033-PS0S](#) [CE-1003](#) [CE-1004](#) [MAU228](#) [J80-0041NL](#) [DFC15U48D15](#)
[XGS-1205](#) [06322](#) [SPB05B-15](#) [L-DA20](#) [DCG40-5G](#) [XKS-2405](#) [DPA423R](#) [vi-m13-cw-03](#) [VI-L53-CV](#) [24IBX15-50-0ZG](#) [HZZ01204-G](#)
[SPU02L-09](#) [SPU02M-09](#) [SPU02N-09](#) [QUINT4-BUFFER/24DC/40](#) [QUINT4-CAP/24DC/5/4KJ](#) [73-551-5039I](#) [DFC15U48D15G](#) [SEN-6471-](#)
[1EM](#) [AHV2815DF/HBB](#) [MI-LC21-IX](#) [PAH-48/8.5-D48NB1-C](#) [BM3020-7A](#) [QRS2050P025R06](#) [QRS2050P025K00](#) [CM2320-9EG](#)
[SKMW15F-05](#) [V300A28H400BF3](#) [TEN 15-1223](#) [TEQ 100-2418WIR](#) [TEQ 160-7218WIR](#) [R05C05TE05S-R](#) [HQA2W085W033V-N07-S](#)
[AM1SS-2405SJZ](#) [AM2DS-1224SJZ](#) [AM2DS-2405DJZ](#) [AM10SBO-4824SNZ-B](#) [AM15E-2405S-NZ](#) [AM2DS-1212SJZ](#) [AM30SBO-](#)
[4805SNZ-B](#)