

Series AMER120-CAZ

up to 5A | AC-DC / DC-DC | LED Driver / Converter



FEATURES:

- Constant Current or Constant Voltage LED Driver or Converter
- Input range 90-305VAC/47-440Hz
- 115VAC Operating temperature -50 to 85°C
- 230VAC Operating temperature -55 to 85°C
- Dimmable via resistive
- 5 Years Limited Warranty
- Short Circuit Protection
- Over Current Protection
- Waterproof Case rated IP68
- Power Factor Correction
- High Efficiency up to 88%



Models Single output

Model	Max Output Power (W) ^①	Output Voltage Range (V) ^③	Output Current (A) ^③	Input Voltage (VAC/Hz)	Input Voltage (VDC)	Mode of Operation	Efficiency (%)		
							115 VAC	230 VAC	277 VAC
AMER120-50250CAZ	125	36-50	0-2.5	90-305/47-440	130-430	Constant Current	87	88	86
						Constant Voltage ^②	87	88	88
AMER120-36340CAZ	122.4	24-36	0-3.4	90-305/47-440	130-430	Constant Current	87	88	88
						Constant Voltage ^②	87	88	88
AMER120-24500CAZ	120	12-24	0-5	90-305/47-440	130-430	Constant Current	85	86	87
						Constant Voltage ^②	86	86	87
Add Suffix "-F"	No dimming option								

① Exceeding the maximum output power will permanently damage the converter.

② The dimming feature is not supported when units are used in Constant Voltage mode only, Aimtec suggests to order "-F" No dimming option in the case.

③ In constant current mode output current is maximum shown, in constant voltage mode output voltage is the maximum shown. All models can be ordered with optional North American colour input wires (black (L), white (N), green (GND)). Add "-NA" to part number when ordering.

NOTE: Aimtec limited warranty of 5 years is valid based on product operation at datasheet specifications at ambient temperature of 25°C, humidity < 75%, nominal input voltage (115/230/277VAC) and at rated output load unless otherwise specified. See

<http://www.aimtec.com/terms-sale>

AMER120-CAZ's AC/DC LED drivers have electrical safeguards designed within to protect it from conventional electrical abnormalities with the levels listed in the safety table. Applications for use within rural agricultural, heavy industrial, and other areas or regions which are prone to 'dirty' electrical conditions which would subject any of the above models to excessive voltages surges or spikes, may damage or cause early life failure of product. In this case consideration should be made by the end user to ensure that adequate line or mains surge suppression is installed in front of Aimtec device to ensure the longevity of the products. Failure to identify excessive line surges violations prior to installation may damage sensitive equipment permanently.

Input Specifications

Parameters	Conditions	Typical	Maximum	Units
Current (full load)	115 VAC		1800	mA
	230 VAC		800	mA
	277 VAC		700	mA
Inrush current <2ms (cold start)	115 VAC		45	A
	230 VAC		60	A
	277 VAC		70	A
Leakage current	I/O		0.25	mA
	I/FG, O/FG		3.5	mA
Power factor	115 VAC	0.98		
	230 VAC	0.94		
	277 VAC	0.92		
External fuse	Recommended slow blow type	3		A
Start-up time		900		ms

Output Specifications

Parameters	Conditions	Typical	Maximum	Units
Current accuracy		±3		%

Line regulation	LL-HL	±2		%
Load regulation	0-100% load	±3		%
Ripple & Noise ^④	20MHz Bandwidth	150		mV p-p
Hold-up time		80		ms
Current adjustment range ^⑤		100-10		%
Minimum Load Voltage	See the models table			

④ Ripple and Noise are measured at 20MHz bandwidth by using a 0.1µF (M/C) or (C/C) and 47µF (E/C) parallel capacitor.

⑤ Note: from 0% to 10% dimming adjustment signal instability may be present.

Isolation Specifications

Parameters	Conditions	Typical	Rated	Units
Tested voltage	I/O	3sec	3750	VAC
	I/FG		2000	VAC
	O/FG		500	VAC
Isolation resistance	500VDC	>1000		MΩ

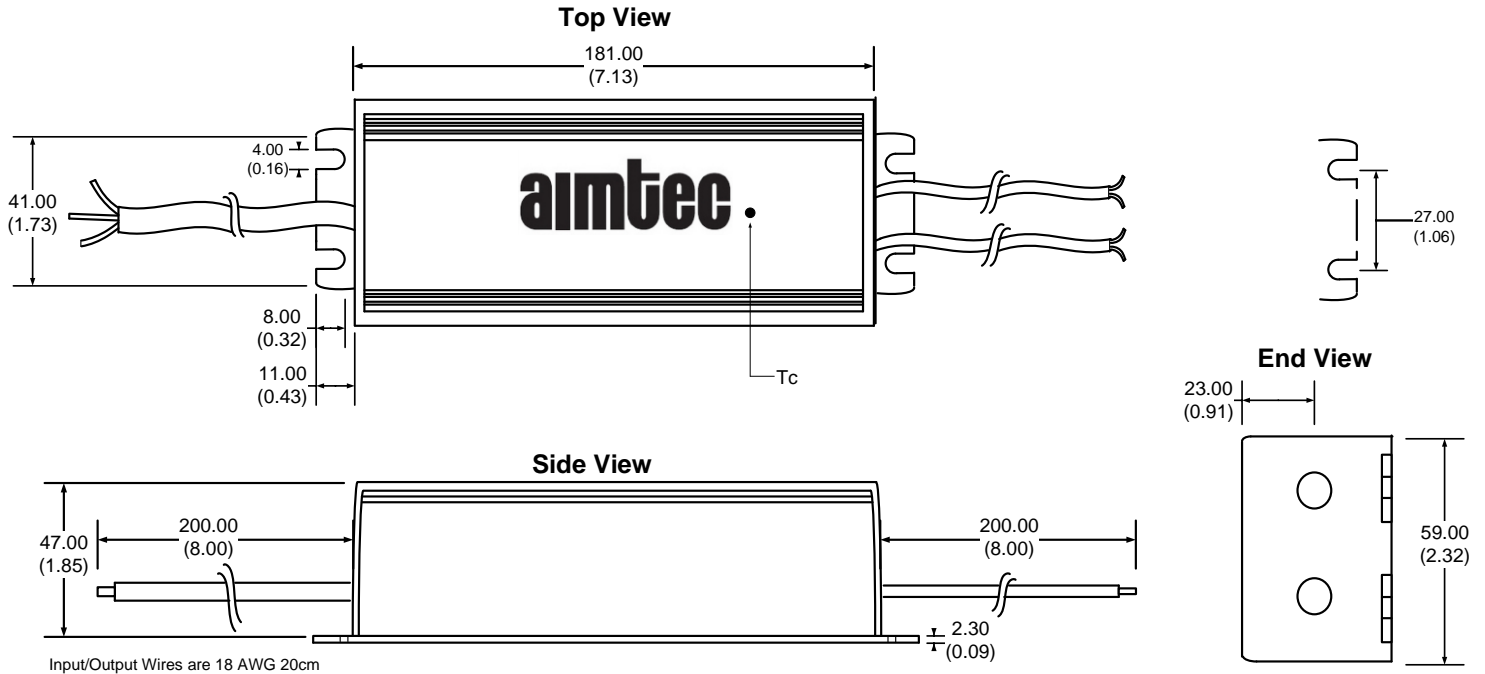
General Specifications

Parameters	Conditions	Typical	Maximum	Units
Switching frequency			125	KHz
Over current protection	AMER120-50250CAZ		2.57	A
	AMER120-36340CAZ		3.47	
	AMER120-24500CAZ		5.07	
Over voltage protection	Refer to Constant Current vs. Constant Voltage Mode curve			
Short circuit protection	Continuous			
Short circuit restart	Auto recovery			
Operating temperature (See Derating Table)	(115VAC)	-50 to +85		°C
	(230VAC)	-55 to +85		°C
Cold Start-up Time	-55°C		30	Sec
Maximum case temperature			100	°C
Storage temperature		-55 to +95		°C
Temperature coefficient		±0.02		% / °C
Cooling	Free air convection			
Humidity			95	% RH
Case material	Aluminum			
Potting	Epoxy (IP68 rated)			
Wires	UL1015 18AWG Input & 14AWG Output *20CM			
Weight		900		g
Dimensions (L X H X W)	7.13 x 2.32 x 1.85 inches	181.00 x 59.00 x 47.00 mm		
MTBF	>400,000 hrs (MIL-HDBK-217F at +25°C)			

Safety Specifications

Parameters		
Agency approvals	CE	
Standards	Designed to meet UL8750, IEC/EN 60950-1 standards, EN55022, class B, EN60529(IP68)	
	Information Technology Equipment	EN55022 Class B
	Harmonic Current Emissions	IEC/EN 61000-3-2, Class C
	Voltage fluctuations and flicker	IEC/EN 61000-3-3, (EN60555-3)
	Electrostatic Discharge Immunity	IEC 61000-4-2 Level 3
	RF, Electromagnetic Field Immunity	IEC 61000-4-3 Level 2
	Electrical Fast Transient / Burst Immunity	IEC 61000-4-4 Level 2
	Surge Immunity	IEC 61000-4-5 Level 3
	RF, Conducted Disturbance Immunity	IEC 61000-4-6 Level 2
	Power frequency Magnetic Field Immunity	IEC 61000-4-8 Level 1
	Voltage dips, Short Interruptions Immunity	IEC 61000-4-11

Dimensions

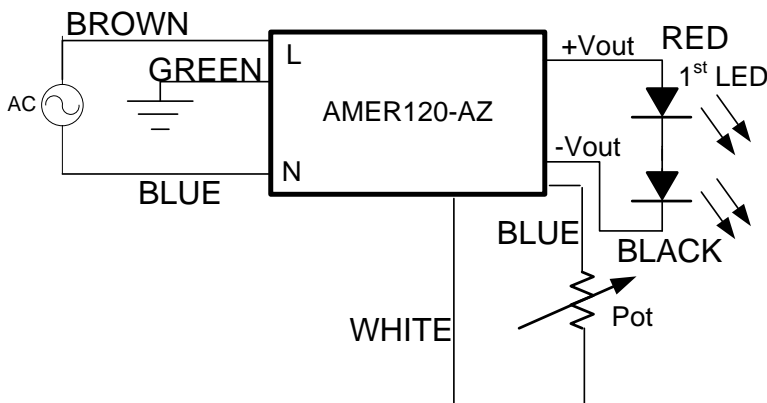


Measurements in Millimeters (inch)
Case Tolerance: ±0.5 (±0.02)

Wire connection:

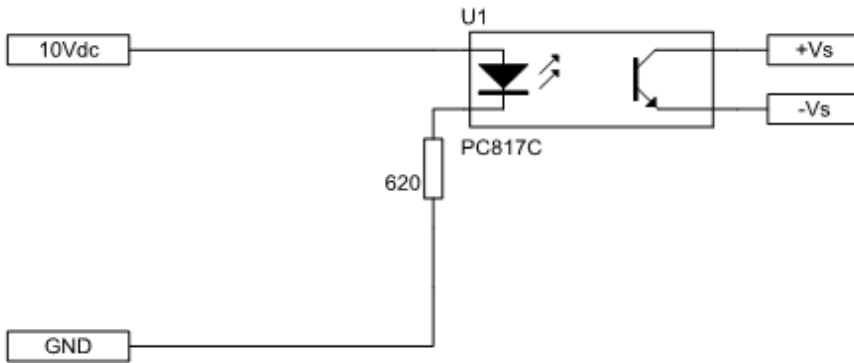
Wire	Connection
Brown	AC L
Blue	AC N
Green	Ground
Red	+V output
Black	-V Output
Blue (Dimming)	+ Vs dimming
White (Dimming)	-Vs dimming

Analog (resistive) Dimming Application Circuit

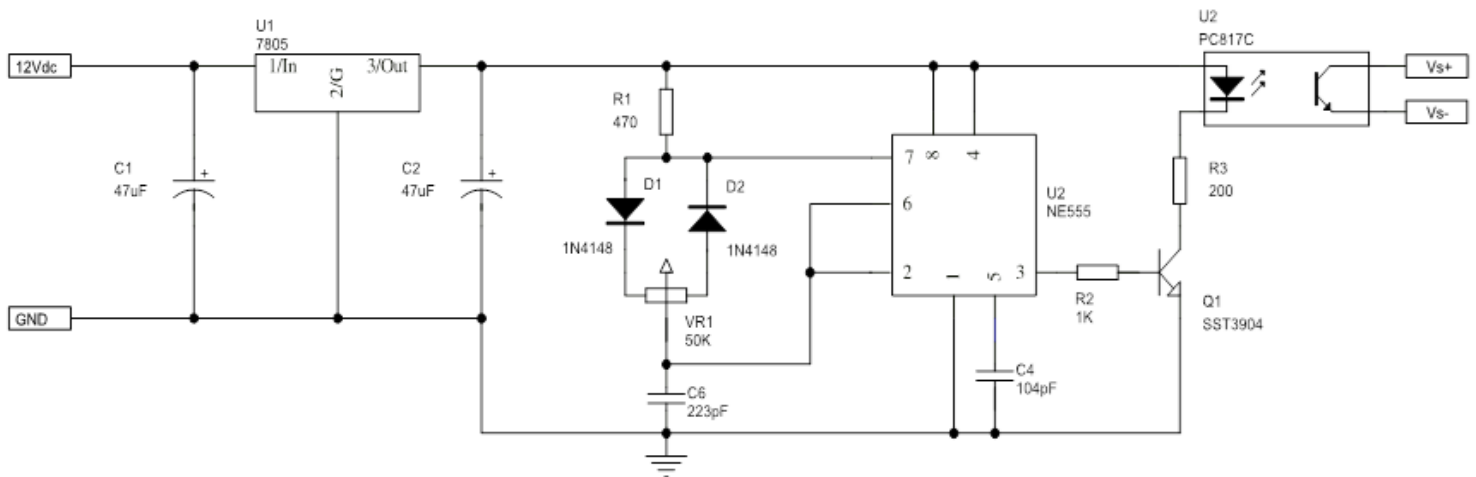


Model Number	Maximum Pot Value (kΩ)
AMER120-50250CAZ	18.22
AMER120-36340CAZ	22.10
AMER120-24500CAZ	34.31

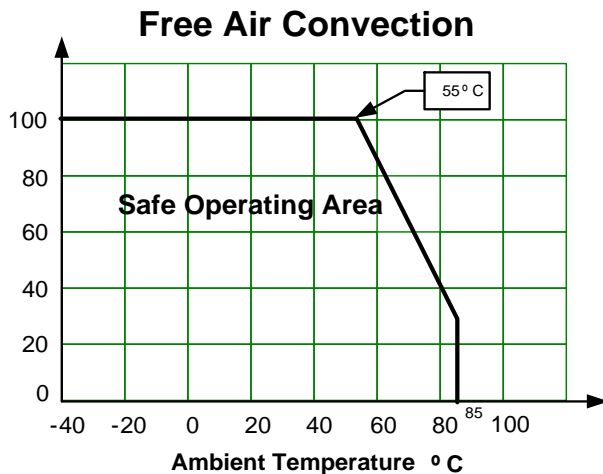
Analog (0-10V) Dimming Application Circuit



PWM (1KHz) Dimming Application Circuit



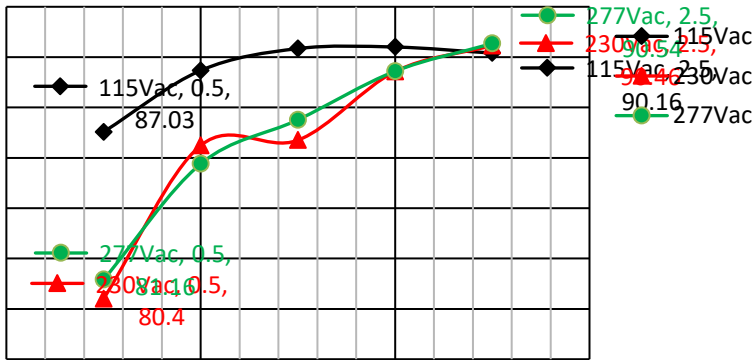
Derating



Efficiency vs. Input Voltage and Output Current (CC Load)

AMER120-50250CAZ

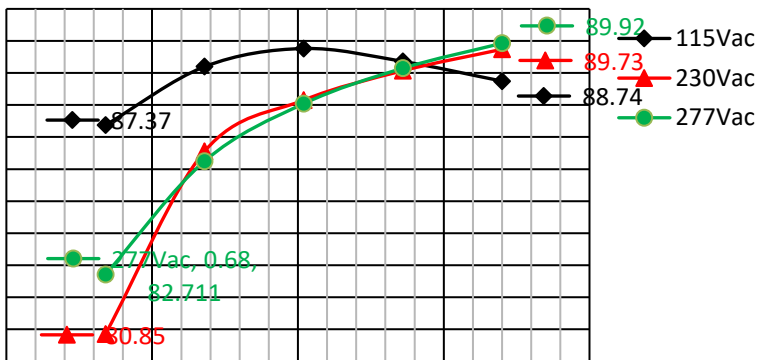
(%) Efficiency VS. Input Voltage & Output Current



(A)

AMER120-36340CAZ

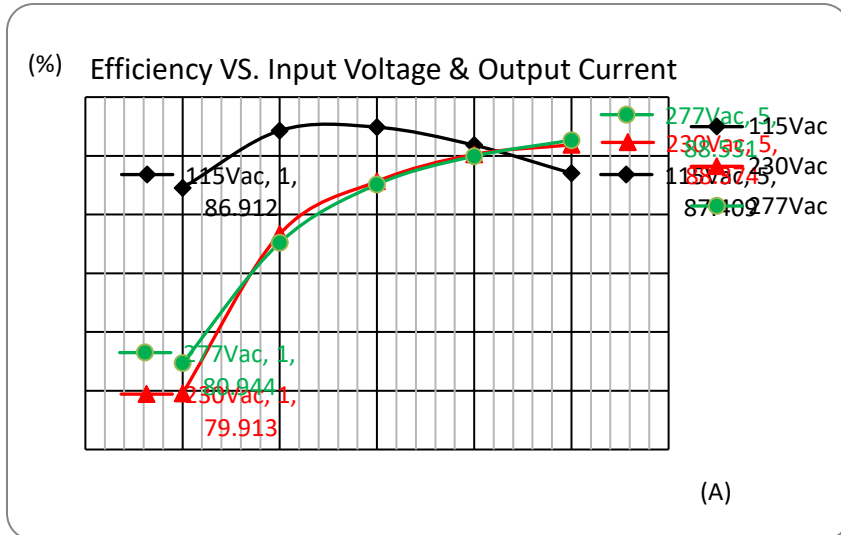
(%) Efficiency VS. Input Voltage & Output Current



(A)

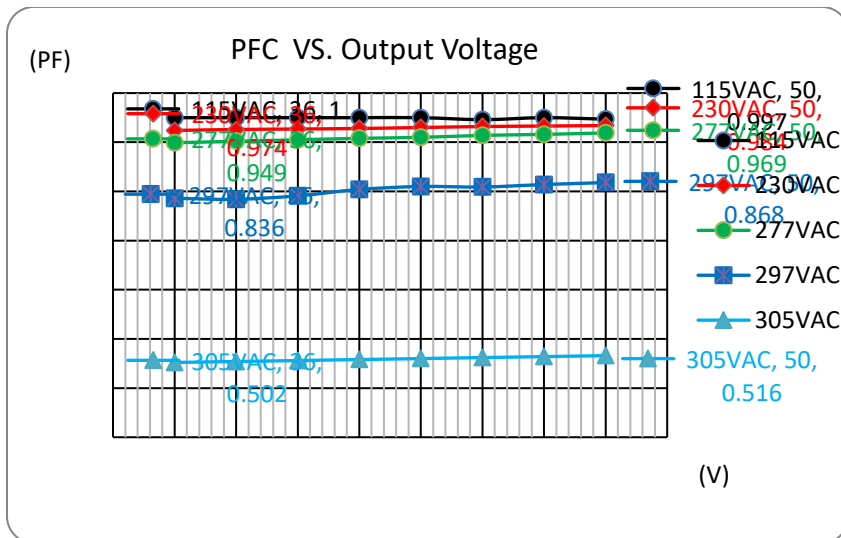
**Efficiency vs. Input Voltage and Output Current (CC Load)
Continued**

AMER120-24500CAZ



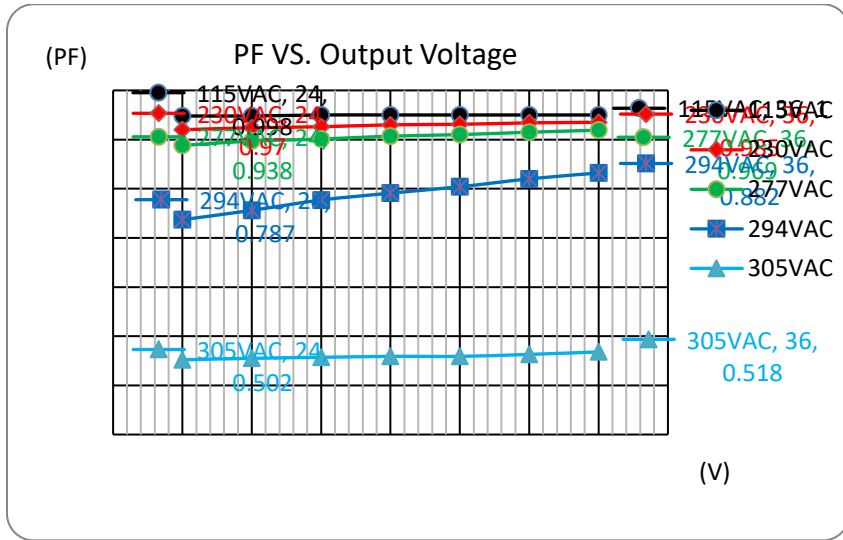
PFC Value vs. Output Load Current (CC Load)

AMER120-50250CAZ

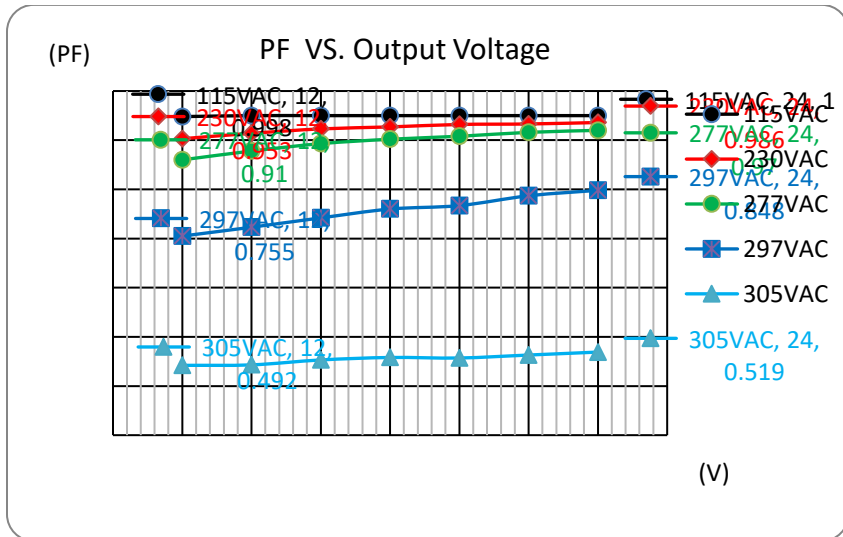


PFC Value vs. Output Load Current (CC Load)

AMER120-36340CAZ

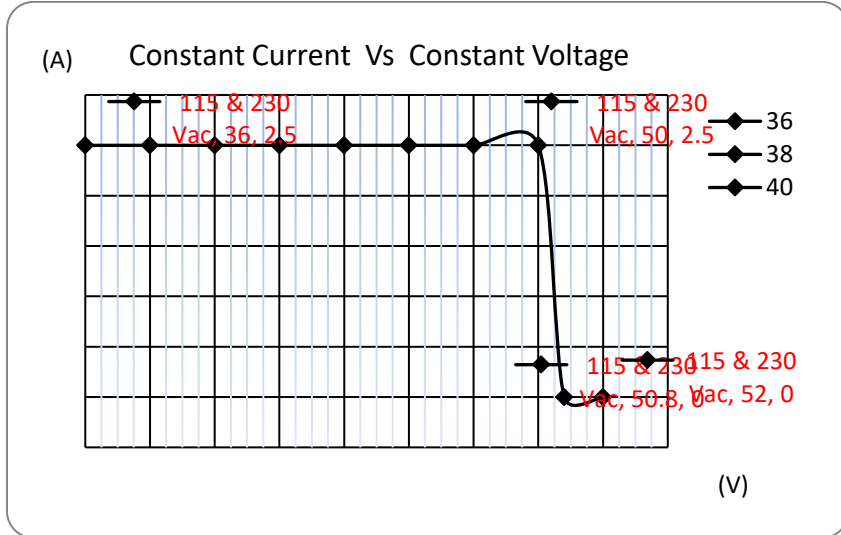


AMER120-24500CAZ

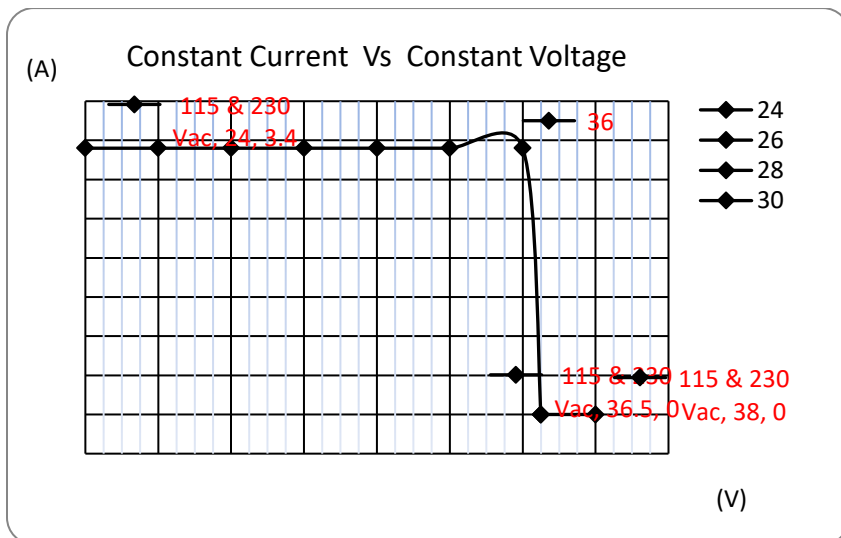


Constant Current Mode vs. Constant Voltage Mode

AMER120-50250CAZ

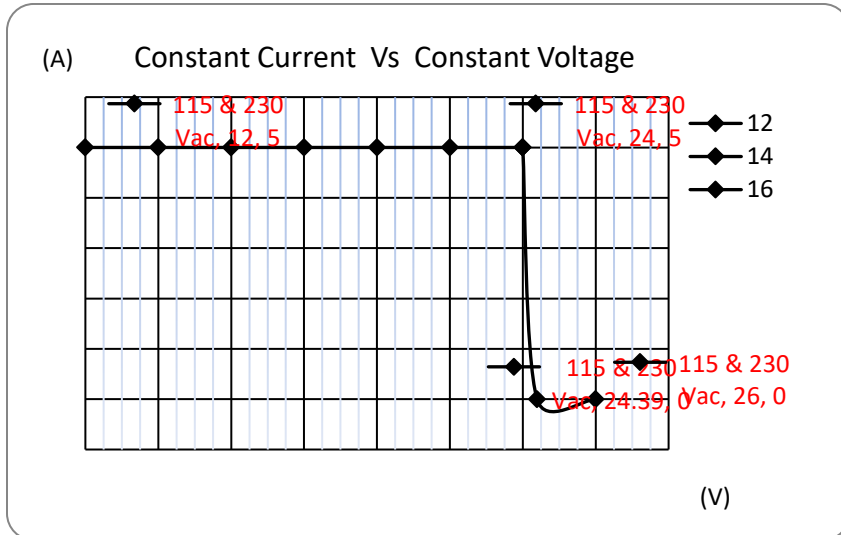


AMER120-36340CAZ



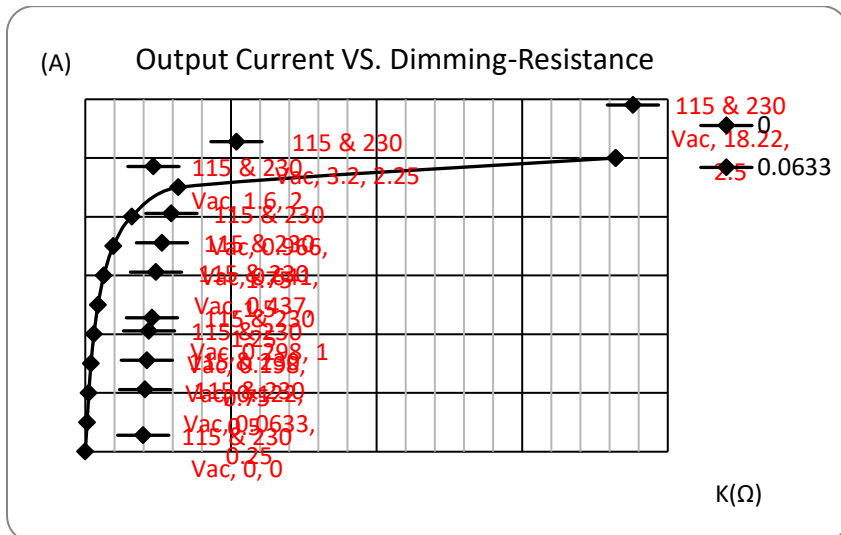
Constant Current Mode vs. Constant Voltage Mode

AMER120-24500CAZ



Output Current vs. Radj

AMER120-50250CAZ



X-ON Electronics

Largest Supplier of Electrical and Electronic Components

Click to view similar products for [aimtec](#) manufacturer:

Other Similar products are found below :

[AM10CW-4812S-FZ](#) [AM10E-2415DZ](#) [AM10W-60009S-NZ](#) [AM15C-2412SZ](#) [AM1D-121212DZ](#) [AM1DE-2405SZ](#) [AM1DS-0303S-NZ](#)
[AM1DS-0512SH30Z](#) [AM1DS-1205SH30-NZ](#) [AM1DS-1205SH60Z](#) [AM1DS-1212DH30-NZ](#) [AM1DS-2405DH40Z](#) [AM1DS-2412DH60Z](#)
[AM1G-2405SH30Z](#) [AM1G-2405SZ](#) [AM1L-1215SH30-NZ](#) [AM1L-2405S-NZ](#) [AM1L-2409DH30-FZ](#) [AM1LS-0503S-NZ](#) [AM1P-0512DZ](#)
[AM1P-0515DZ](#) [AM1P-2412SH30Z](#) [AM1P-2412SZ](#) [AM1PS-0512SZ](#) [AM1S-0503SZ](#) [AM1S-2412SZ](#) [AM20C-2415DZ](#) [AM20EW-2415DZ](#)
[AM2D-0505DZ](#) [AM2D-1205SZ](#) [AM2D-1207DH30Z](#) [AM2D-1209DH52Z](#) [AM2D-1212DH30Z](#) [AM2D-1212SH30Z](#) [AM2D-1215DZ](#) [AM2D-](#)
[1215SZ](#) [AM2D-1218DZ](#) [AM2D-2403SZ](#) [AM2D-2424DH30Z](#) [AM2DS-0505SH30-NZ](#) [AM2GH-4815DZ](#) [AM2S-1205SZ](#) [AM2S-2405SH30Z](#)
[AM30K-4805S-NZ](#) [AM3F-1205SH30Z](#) [AM3G-1215DH30Z](#) [AM3G-2405SZ](#) [AM3TIW-2412SH30-RZ](#) [AM40W-80024S-NZ](#) [AM5T-1205SZ](#)