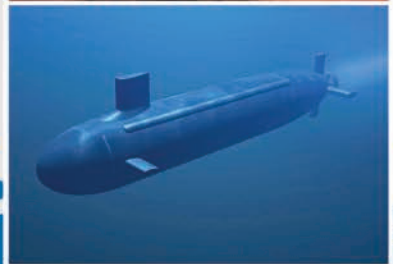


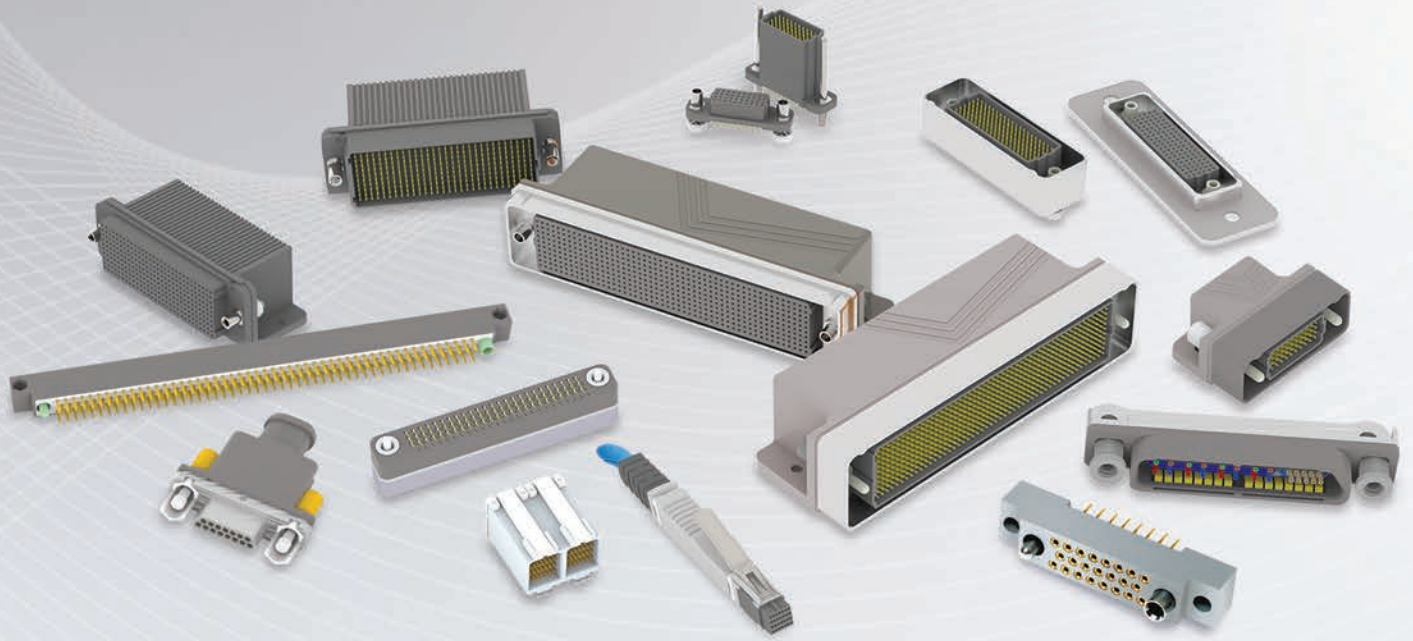


Mission Critical Electronic Components



R-Series Connectors

0.075" (1.905 mm)



About AirBorn

AirBorn is a 100% employee owned company specializing in engineering & manufacturing interconnect solutions for OEMs. AirBorn's rugged & reliable connectors are trusted to perform in the most severe field conditions imaginable. Our products support industries including:

- Aerospace
- Energy
- Geophysical
- Industrial
- Instrumentation
- Marine
- Medical
- Military & Defense
- Space Exploration
- Network & Storage
- Telecommunications

Value-Added Services

AirBorn's value-added services expand our capabilities well beyond standard and custom connectors. With all of our customer-centric services offered under one roof, we eliminate costly mark-ups and save you time.

- Cable Assembly
- Chassis/Box Builds
- Categorical Qualification
- Fiber Optics
- Flexible Circuit Assembly
- Engineering Services
- Lab Services
- PCB Assembly
- Wire Harnesses

The culture at AirBorn embraces both Six Sigma & LEAN manufacturing principals. AirBorn products are trusted to perform in extreme conditions where **mission-critical reliability** is vital to success. Customers trust AirBorn products and have stayed **AirBorn Connected™** for over 57 years.

Companies today are looking for
MORE THAN merely a **SUPPLIER...**
They're looking for a **STRATEGIC PARTNER** to
collaborate & **GROW** with.



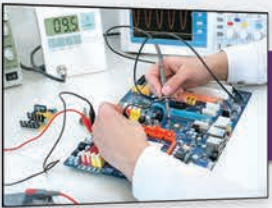
Concept Development



Detailed Design & Engineering



Quick-Turn Prototyping



Test, Quality & Qualification



Manufacturing Low- to High-Volumes



Global Packaging & Distribution

Engineering Services

AirBorn's engineering group specializes in new product design & development for OEMs across the globe. Our team of 50+ degreed engineers are the most innovative and committed working in the electronics manufacturing industry today.

Customers can leverage our design & manufacturing expertise throughout the entire product development process. From conceptual design, prototyping, pilot-runs through to mass production, our team will work to get your project completed fast, elegantly and ahead of the competition.

Our global sales presence coupled with our choice of strategic global distribution partners means greater responsiveness when procuring AirBorn's products, no matter where you do business.





TABLE OF CONTENTS

The R-Series Difference	6-7
Catalog Section Key	8
Catalog Icon Key	9

STRAIGHT, RIGID FLEX / BOARD-MOUNT CONNECTORS

Connector Type Overview	10-11
RM212 2 Row, Straight, Board-Mount Plug (Sizes 10-100)	12
RM222 2 Row, Straight, Board-Mount Receptacle (Sizes 10-100)	14
RM222 2 Row, Straight, Stackable, Board-Mount Receptacle (Sizes 10-100)	16
RM322 3 Row, Straight, Board-Mount Receptacle (Sizes 11-206)	18
RM322 3 Row, Straight, Stackable, Board-Mount Receptacle (Sizes 11-206)	20
RM332 3 Row, Straight, Board-Mount Plug (Sizes 11-206)	22
RM412 4 Row, Straight, Board-Mount Plug (Sizes 86-404)	24
RM422 4 Row, Straight, Board-Mount Receptacle (Sizes 86-404)	26
RM612 6 Row, Straight, Board-Mount Plug (Sizes 448 & 604)	28
RM622 6 Row, Straight, Board-Mount Receptacle (Sizes 448 & 604)	30
RM632 6 Row, Straight, Board-Mount Plug (Sizes 162-402)	32
RM642 6 Row, Straight, Board-Mount Receptacle (Sizes 162-402)	34
RC4 4 Row, Straight, Stackable, Board-Mount Receptacle (Sizes 28-300)	36
RC422 4 Row, Straight, Stackable, Board-Mount Receptacle (Sizes 28-300)	38
RC442 4 Row, Straight, Stackable, Board-Mount Receptacle (Sizes 28-300)	40

RIGHT ANGLE, BOARD-MOUNT CONNECTORS

Connector Type Overview	42-43
RM252 2 Row, Right-Angle, Board-Mount Plug (Sizes 10-100)	44
RM262 2 Row, Right-Angle, Board-Mount Receptacle (Sizes 10-100)	46
RM352 3 Row, Right-Angle, Board-Mount Plug (Sizes 11-206)	48
RM362 3 Row, Right-Angle, Board-Mount Receptacle (Sizes 11-206)	50
RM452 4 Row, Right-Angle, Board-Mount Plug (Sizes 86-404)	52
RM462 4 Row, Right-Angle, Board-Mount Receptacle (Sizes 86-404)	54
RM652 6 Row, Right-Angle, Board-Mount Plug (Sizes 448 & 604)	56
RM662 6 Row, Right-Angle, Board-Mount Receptacle (Sizes 448 & 604)	58
RM672 6 Row, Right-Angle, Board-Mount Plug (Sizes 162-402)	60
RM682 6 Row, Right-Angle, Board-Mount Receptacle (Sizes 162-402)	62

CARD-EDGE CONNECTORS

Connector Type Overview	64-65
RM412 4 Row, Card-Edge, Surface-Mount Plug (Sizes 86-404)	66
RM612 6 Row, Card-Edge, Surface-Mount Plug (Sizes 448 & 604)	68
RM632 6 Row, Card-Edge, Surface-Mount Plug (Sizes 162-402)	70

INPUT / OUTPUT CONNECTORS

Connector Type Overview – Factory Pre-Terminated	72-73
RA2H2 2 Row, I/O, Crimped-Wire Receptacle (Sizes 10-100)	74
RA3D2 3 Row, I/O, Crimped-Wire Plug (Sizes 11-104)	76
RA3H2 3 Row, I/O, Crimped-Wire Receptacle (Sizes 11-104)	78
Connector Type Overview – Customer Terminated	80-81
RM212 2 Row, I/O Plug (Sizes 10-100)	82
RM222 2 Row, I/O Receptacle (Sizes 10-100)	84



RM222	2 Row, I/O, Crimp-Removable Receptacle (Sizes 10-100)	86
RM322	3 Row, I/O Receptacle (Sizes 11-206)	88
RM322	3 Row, I/O, Crimp-Removable Receptacle (Sizes 11-80)	90
RM332	3 Row, I/O, Crimp-Removable Plug (Sizes 11-80)	92
RM332	3 Row, I/O Plug (Sizes 11-206)	94
RM412	4 Row, I/O Plug (Sizes 86-404)	96
RM412	4 Row, I/O, Crimp-Removable Plug (Sizes 86 & 110)	98
RM422	4 Row, I/O Receptacle (Sizes 86-404)	100
RM422	4 Row, I/O, Crimp-Removable Receptacle (Sizes 86 & 110)	102
RM612	6 Row, I/O Plug (Sizes 448 & 604)	104
RM622	6 Row, I/O Receptacle (Sizes 448 & 604)	106
RM632	6 Row, I/O Plug (Sizes 162-402)	108
RM642	6 Row, I/O Receptacle (Sizes 162-402)	110
RC4B2C	4 Row, I/O, Stackable Receptacle (Sizes 28-152)	112
RC4C	4 Row, I/O, Press-Fit, Cable-Mate Plug (Sizes 28-152)	114
RC4C2C	4 Row, I/O, Stackable Plug (Sizes 28-152)	116

ACCESSORIES

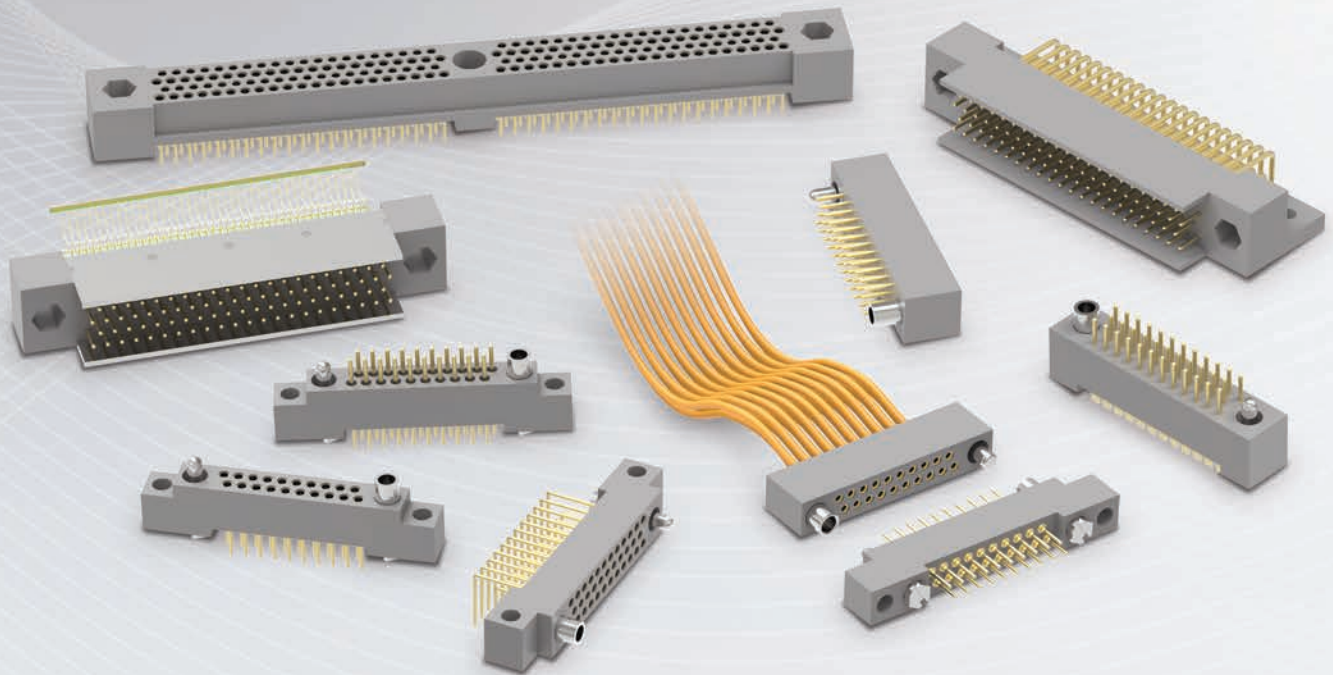
Connector Type Overview	118-119	
RM222	2 Row, Connector Saver Receptacle (Sizes 10-100)	120
RM322	2 Row, Connector Saver Receptacle (Sizes 11-206)	122
Tools	124	

SPECIFICATIONS, PERFORMANCE & REFERENCES

Wire Codes	125
RM Specifications	126
RM Performance	127
Contacts (2- and 3-Row)	128
Contacts (4-Row)	129
Contacts (6-Row)	130
Surface-Mount Configuration Options (4- and 6-Row)	131
#2-56 Jacksets (2- and 3-Row)	132
Guide Sets (2- and 3-Row)	133
Hardware Layout for RM4	134-135
Hardware Layout for RM6 (1 Bay)	136-137
Hardware Layout for RM6 (2 Bay)	138-139
RM Polarization Codes (2- and 3-Row)	140
RM Polarization Codes (4- and 6-Row)	141
RA Crimp Instructions	142
RA Contact Assembly Instructions	143
RC Specifications	144
RC Performance	145
RC4 Applications: Press-Fit, Stackable	146
RC4 Applications: Press-Fit, Stackable with Cable Mate	147
R-Series / Military Part Number Guide	148-159

R Series

High-Density
0.075"
(1.905mm)



Customers depend on R-Series connectors and have for 30+ years

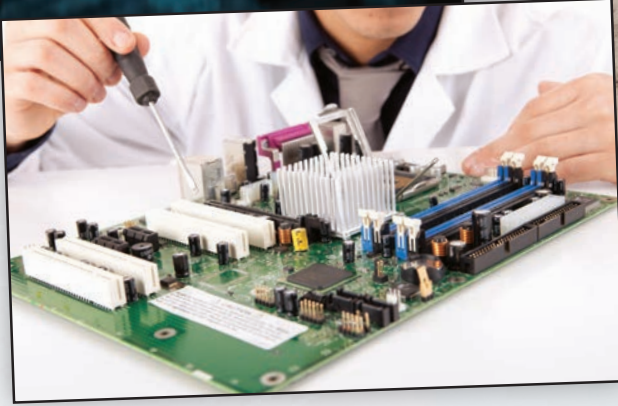
R-Series interconnects are a field-proven technology that have stood the test of time, performing consistently in mission-critical applications. The R-Series offers the largest array of termination, configuration, mounting & hardware options available on the market today.

With a rugged & reliable contact design, R-Series connectors can be trusted to perform every time, especially in extreme environments.

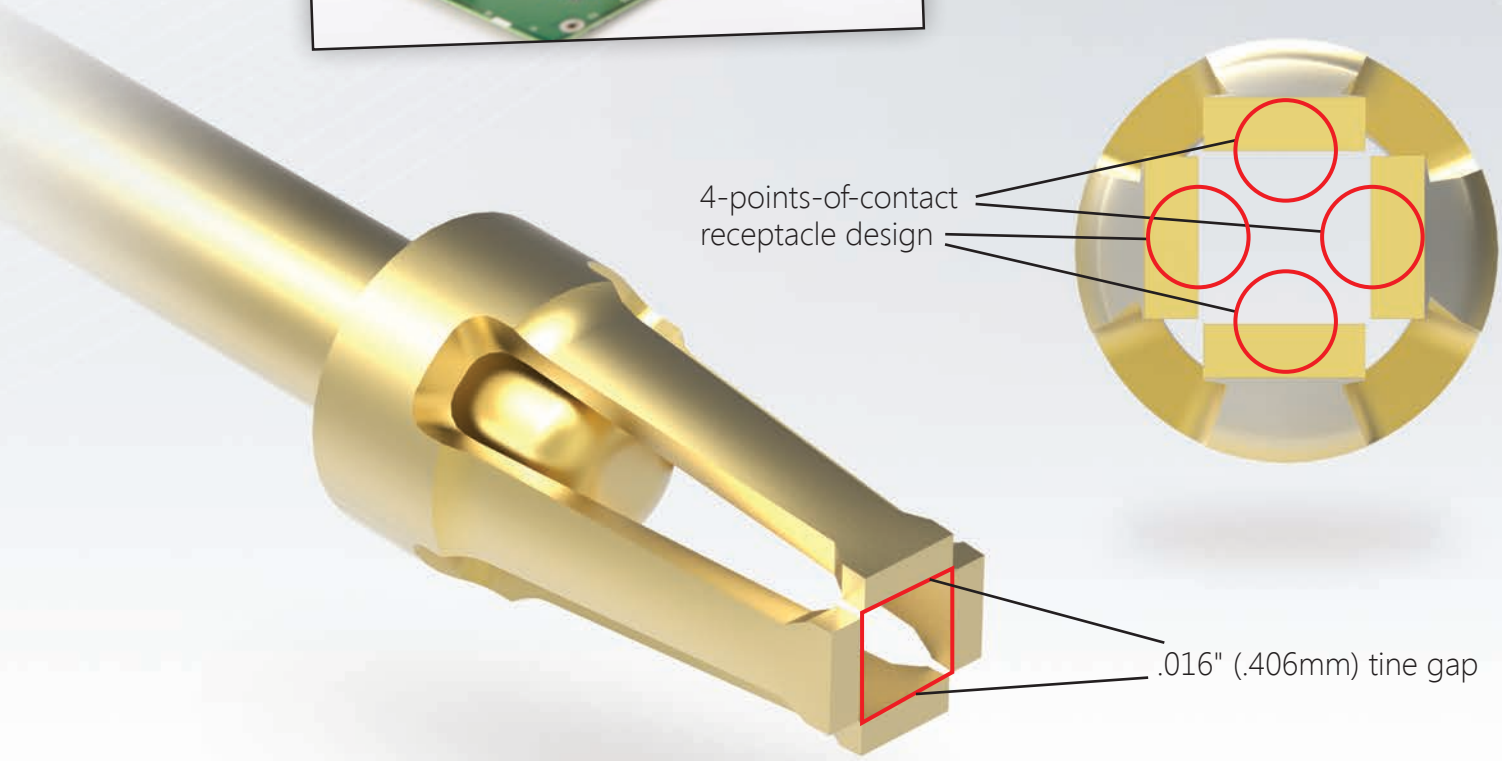
R-Series connectors are **MIL-55302 qualified** and are a trusted component in countless Military & Defense applications. When the success of your design could be the difference between life and death, you can count on R-Series connectors to perform every time. See page 148 to reference Military-to-AirBorn part numbers.

R-Series Connectors

0.075" (1.905 mm)



When your electronic assemblies are used in mission-critical applications, rely on R-Series interconnects.



4-points-of-contact
receptacle design

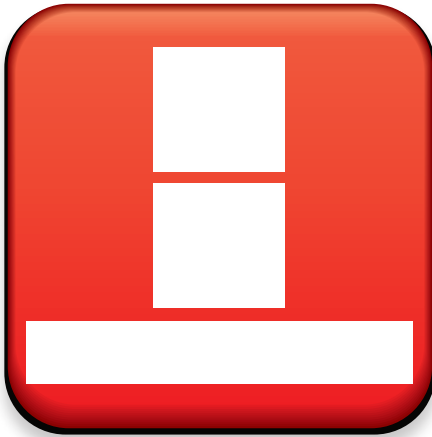
.016" (.406mm) tine gap

The R-Series spring-member receptacle design creates 4-points-of-contact with mating pins. A .016" tine gap forms to make consistent contact at all times, no matter how demanding the prescribed application.

Now you're **AirBorn Connected[®]**



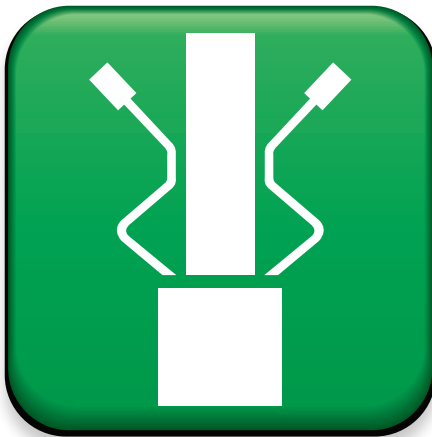
Catalog Section Key



Straight, Rigid-Flex/Board-Mount Connectors



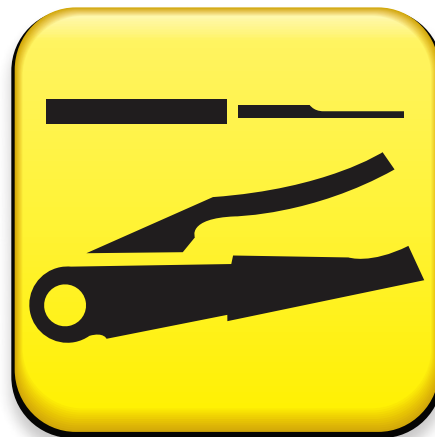
Right-Angle, Board-Mount Connectors



Card-Edge Connectors



Input/Output Connectors



Accessories

PLEASE CONSULT THE AIRBORN WEBSITE FOR THE LATEST REVISION OF THIS DOCUMENT PRIOR TO BEGINNING ANY DESIGN WORK.



Catalog Icon Key

Termination Options



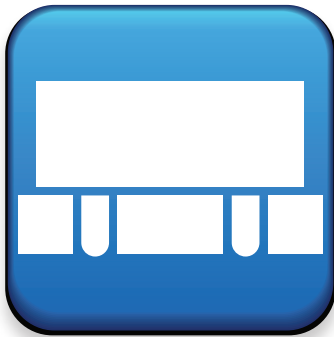
Crimp-Removable



Single-Layer Flex



Press-Fit



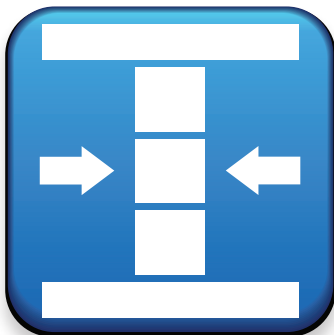
Plated Thru-Hole



Surface-Mount



Solder-Cup



Connector Saver



Stackable

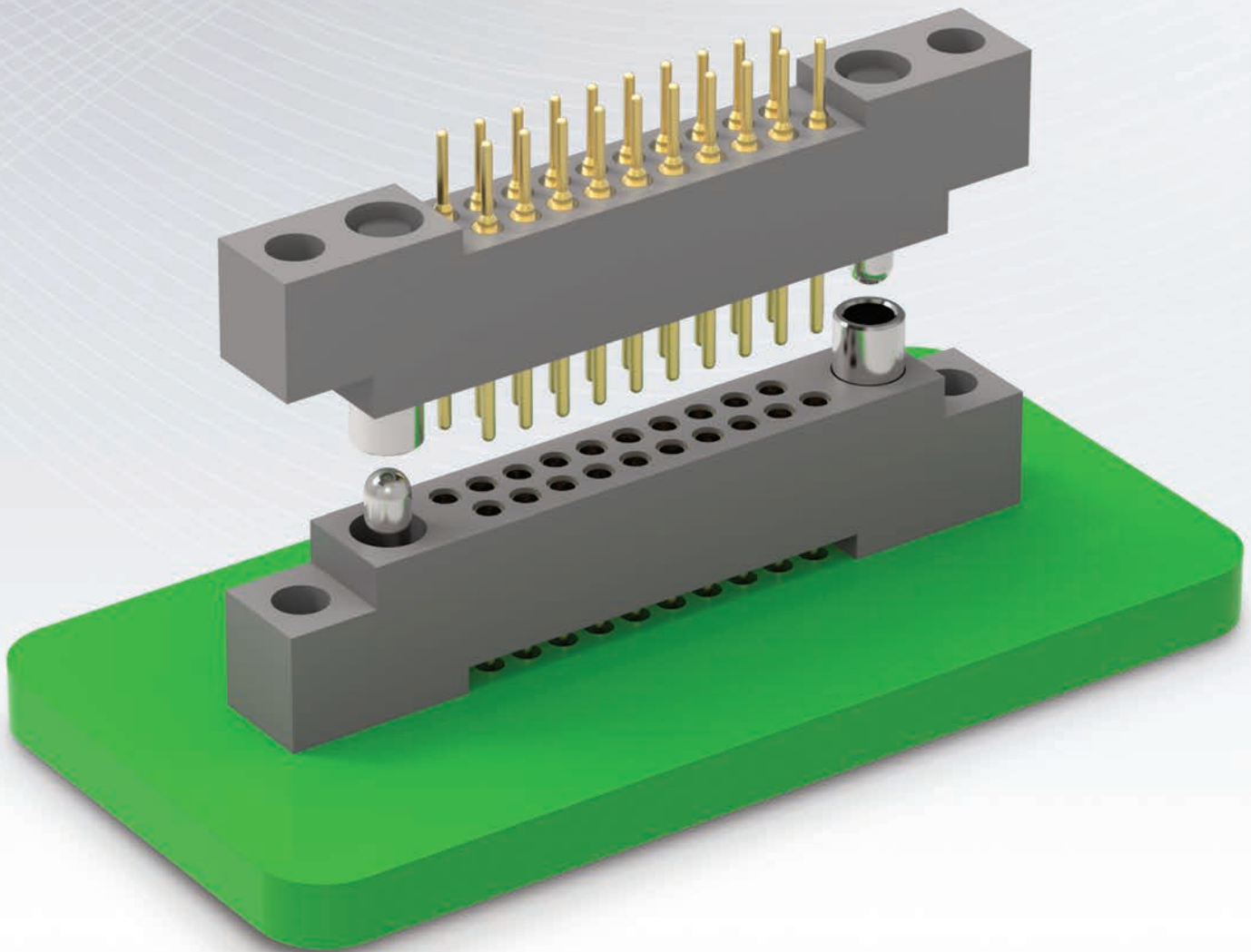


Pre-Terminated

PLEASE CONSULT THE AIRBORN WEBSITE FOR THE LATEST REVISION OF THIS DOCUMENT PRIOR TO BEGINNING ANY DESIGN WORK.

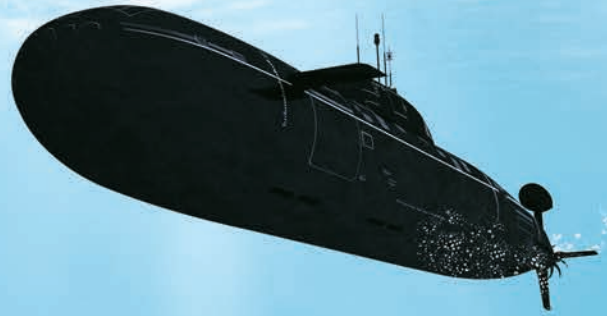


Rigid Flex / Board-Mount, Straight Connectors



R-Series Connectors

0.075" (1.905 mm)



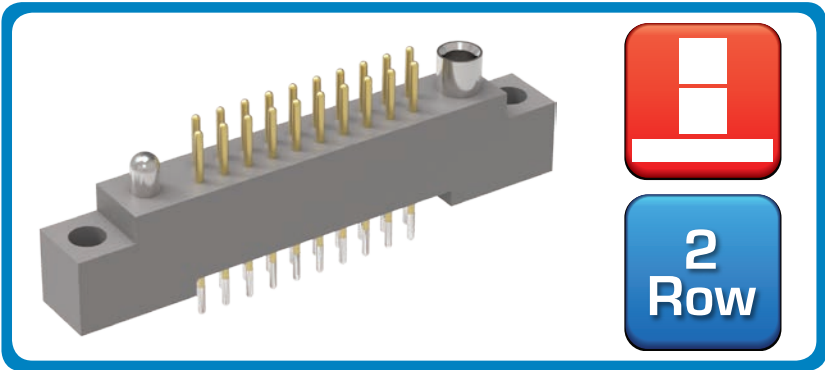
R-Series straight connectors are utilized by our customers in a variety of severe applications. When mission-critical reliability is key to your product's design, R-Series straight connectors are ready for the tough challenges.

- 2, 3, 4 & 6-row options
- 10-604 contacts
- Available with or without mounting ears
- Complete spectrum of termination & hardware options available
- Utilized with traditional FR-4 & rigid flexible circuit boards

Now you're **AirBorn Connected**[®]



R Series High-Density 0.075" (1.905mm)



RM – Two-Row, Straight, Board-Mount Plug

Contact Spacing: 0.075" (1.91 mm)

R-Series products are high-density, plastic connectors commonly used in board-to-board applications. Approved to MIL-55302 standard.

Sample Part Number Format: RM212-020-102-5500



SERIES	ROWS	STYLE	BODY MATERIAL	SIZE	PLATING	TERMINATION	HARDWARE	POLARIZATION
0.075" Plastic Rectangular Connector (Plug)	2 – 2-Row (10-100 contacts)	1 – Plug, straight with mounting ears 3 – Plug, straight without mounting ears	2 – Polyphenylene sulfide (PPS)	010 – 10 contacts 020 – 20 contacts 030 – 30 contacts 040 – 40 contacts 050 – 50 contacts 060 – 60 contacts 070 – 70 contacts 080 – 80 contacts 090 – 90 contacts 100 – 100 contacts	1 – Gold 2 – Pre-tinned, SnPb alloy (Plated thru-hole options, only) [‡] 3 – Pre-tinned, SAC305 alloy (Plated thru-hole options, only)	10 – Plated thru-hole, 0.109" x 0.020" Ø 12 – Plated thru-hole, 0.140" x 0.020" Ø 13 – Plated thru-hole, 0.172" x 0.020" Ø 14 – Plated thru-hole, 0.250" x 0.020" Ø	0256 – None 55 – Guide set 57 – Two guide pins 58 – Two guide sockets 29 – Fixed jackset 30 – Fixed jackset, reversed 19 – Two fixed jackscrews 20 – Two fixed jacksockets 59 – Hex turning jackset, 0.200" 60 – Hex turning jackset reversed, 0.200" 61 – Two hex turning jackscrews, 0.200" 62 – Two hex turning jacksockets, 0.200" 64 – Turning jackset, 0.490"	00 – None XX – See page 140 for codes 70 – Same as above, but without Loctite® (customer-keyed)

Notes:
‡ Not RoHS-compliant

PLEASE CONSULT THE AIRBORN WEBSITE FOR THE LATEST REVISION OF THIS DOCUMENT PRIOR TO BEGINNING ANY DESIGN WORK.

Mates with

- RM222 & RM242 — Two-row, straight receptacle
- RM262 & RM282 — Two-row, right-angle receptacle
- RM2 — Two-row, I/O receptacle
- RA2 — Two-row, I/O receptacle

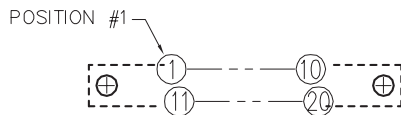
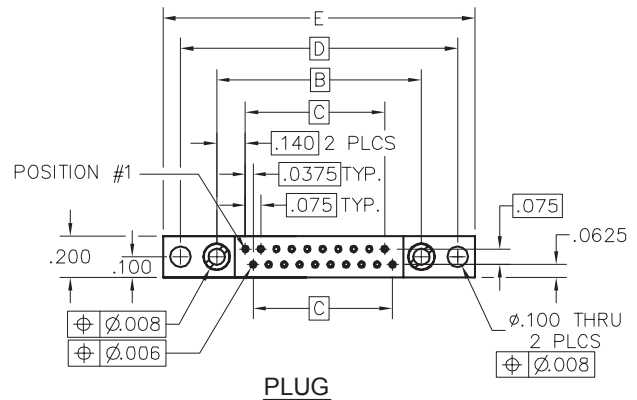
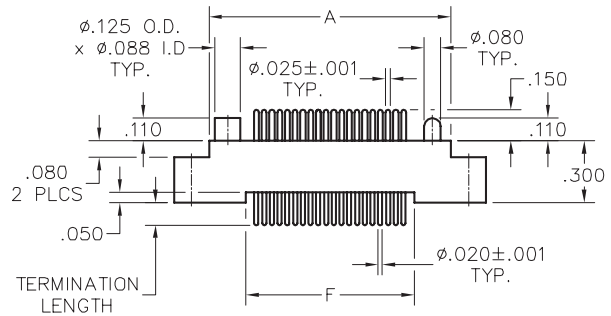
Terminations



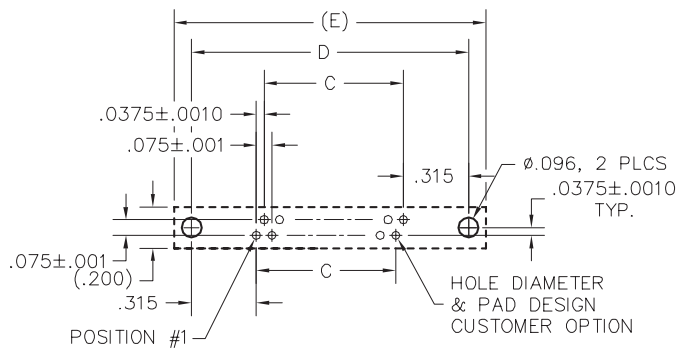
RM – Two-Row, Straight, Board-Mount Plug

Plastic ▪ 2-Row ▪ 10-100 Contacts

DIMENSIONS						
SIZE	A	B	C	D	E	F
10	.797	.617	.300	.967	1.137	.442
20	1.172	.992	.675	1.342	1.512	.817
30	1.547	1.367	1.050	1.717	1.887	1.192
40	1.922	1.742	1.425	2.092	2.262	1.567
50	2.297	2.117	1.800	2.467	2.637	1.942
60	2.672	2.492	2.175	2.842	3.012	2.317
70	3.047	2.867	2.550	3.217	3.387	2.692
80	3.422	3.242	2.925	3.592	3.762	3.067
90	3.797	3.617	3.300	3.967	4.137	3.442
100	4.172	3.992	3.675	4.342	4.512	3.817



PIN IDENTIFICATION PATTERN
 VIEWED FROM TERMINATION SIDE
 (EXAMPLE: 20 POSITION CONNECTOR)

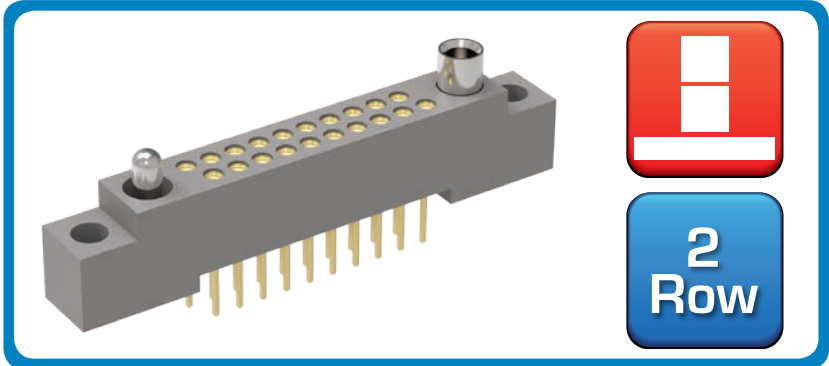


PCB LAYOUT VIEWED
FROM COMPONENT SIDE

PLEASE CONSULT THE AIRBORN WEBSITE FOR THE LATEST REVISION OF THIS DOCUMENT PRIOR TO BEGINNING ANY DESIGN WORK.



R Series High-Density 0.075" (1.905mm)



RM – Two-Row, Straight, Board-Mount Receptacle

Contact Spacing: 0.075" (1.91 mm)

R-Series products are high-density, plastic connectors commonly used in board-to-board applications. Approved to MIL-55302 standard.

Sample Part Number Format: RM222-100-212-5500



SERIES	ROWS	STYLE	BODY MATERIAL	SIZE	PLATING	POLARIZATION
0.075" Plastic Rectangular Connector (Receptacle)	2 – 2-Row (10-100 contacts)	2 – Receptacle, straight with mounting ears 4 – Receptacle, straight without mounting ears	2 – Polyphenylene sulfide (PPS)	010 – 10 contacts 020 – 20 contacts 030 – 30 contacts 040 – 40 contacts 050 – 50 contacts 060 – 60 contacts 070 – 70 contacts 080 – 80 contacts 090 – 90 contacts 100 – 100 contacts	1 – Gold 2 – Pre-tinned, SnPb alloy (Plated thru-hole options, only) [‡] 3 – Pre-tinned, SAC305 alloy (Plated thru-hole options, only)	00 – None XX – See page 140 for codes 70 – Same as above, but without Loctite® (customer-keyed)
				TERMINATION	HARDWARE	
				20 – Plated thru-hole, 0.109" x 0.020" Ø 21 – Plated thru-hole, 0.140" x 0.020" Ø 22 – Plated thru-hole, 0.172" x 0.020" Ø 23 – Plated thru-hole, 0.250" x 0.020" Ø 50 – Plated thru-hole, 0.140" x 0.016" Ø 51 – Plated thru-hole, 0.172" x 0.016" Ø 64 – Press-fit, 0.203" (board 0.093 – 0.125" thick) 65 – Press-fit, 0.323" (board 0.156 – 0.200" thick) 66 – Press-fit, 0.403" (board .250" or thicker)	0256 – None 55 – Guide set 57 – Two guide pins 58 – Two guide sockets 29 – Fixed jackset 30 – Fixed jackset, reversed 19 – Two fixed jackscrews 20 – Two fixed jackscrews 59 – Hex turning jackset, 0.200" 60 – Hex turning jackset reversed, 0.200" 61 – Two hex turning jackscrews, 0.200" 62 – Two hex turning jackscrews, 0.200" 64 – Turning jackset, 0.490"	

Notes:

‡ Not RoHS-compliant

PLEASE CONSULT THE AIRBORN WEBSITE FOR THE LATEST REVISION OF THIS DOCUMENT PRIOR TO BEGINNING ANY DESIGN WORK.

Mates with

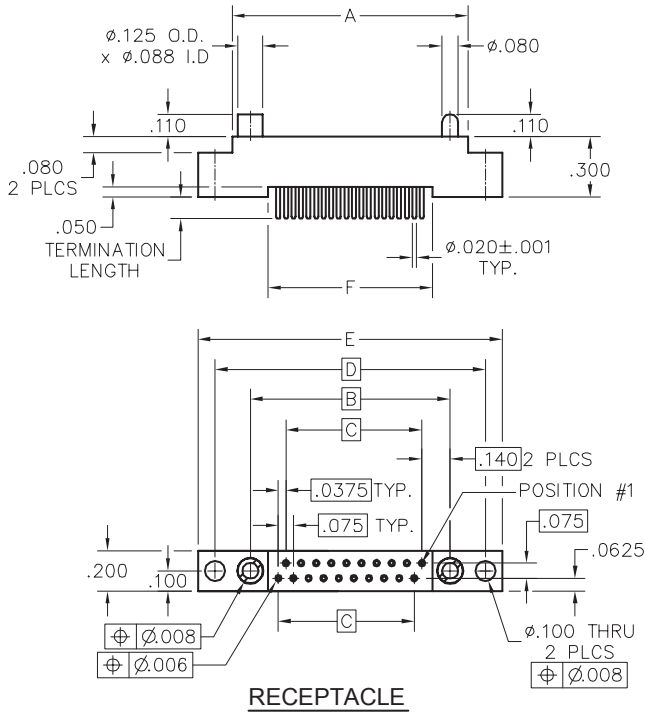
RM212 & RM232 — Two-row, straight plug
 RM252 & RM272 — Two-row, right-angle plug
 RM2 — Two-row, I/O plug

Terminations

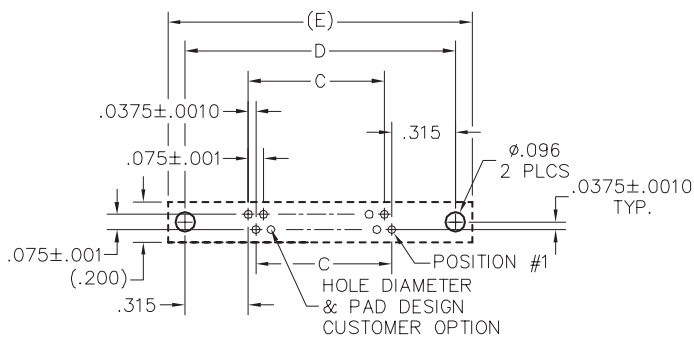


RM – Two-Row, Straight, Board-Mount Receptacle

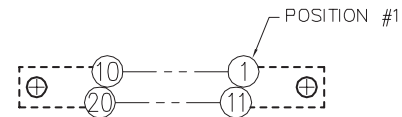
Plastic ▪ 2-Row ▪ 10-100 Contacts



DIMENSIONS						
SIZE	A	B	C	D	E	F
10	.797	.617	.300	.967	1.137	.420
20	1.172	.992	.675	1.342	1.512	.795
30	1.547	1.367	1.050	1.717	1.887	1.170
40	1.922	1.742	1.425	2.092	2.262	1.545
50	2.297	2.117	1.800	2.467	2.637	1.920
60	2.672	2.492	2.175	2.842	3.012	2.295
70	3.047	2.867	2.550	3.217	3.387	2.670
80	3.422	3.242	2.925	3.592	3.762	3.045
90	3.797	3.617	3.300	3.967	4.137	3.420
100	4.172	3.992	3.675	4.342	4.512	3.795



PCB LAYOUT VIEWED FROM COMPONENT SIDE



PIN IDENTIFICATION PATTERN VIEWED FROM TERMINATION SIDE (EXAMPLE: 20 POSITION CONNECTOR)

PLEASE CONSULT THE AIRBORN WEBSITE FOR THE LATEST REVISION OF THIS DOCUMENT PRIOR TO BEGINNING ANY DESIGN WORK.



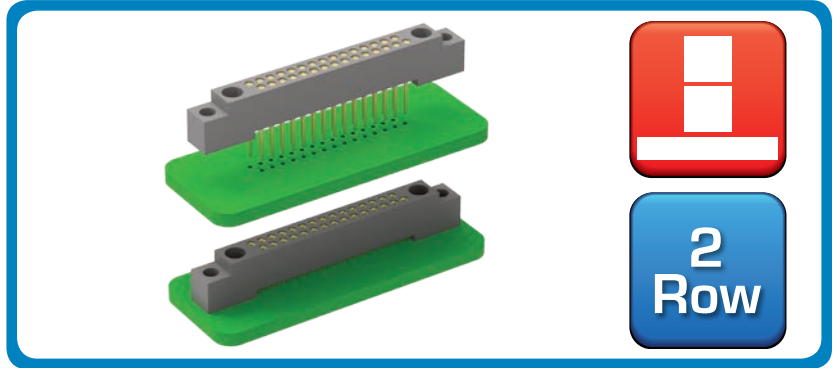
R
Series

High-Density
0.075"
(1.905mm)

RM – Two-Row, Straight, Stackable, Board-Mount Receptacle

Contact Spacing: **0.075" (1.91 mm)**

R-Series products are high-density, plastic connectors commonly used in board-to-board applications. Approved to MIL-55302 standard.



Sample Part Number Format: RM222-030-531-0256



SERIES	ROWS	STYLE	BODY MATERIAL	SIZE	PLATING	HARDWARE
0.075" Plastic Rectangular Connector (Receptacle)	2 – 2-Row (10-100 contacts)	2 – Receptacle, straight with mounting ears 4 – Receptacle, straight without mounting ears	2 – Polyphenylene sulfide (PPS)	010 – 10 contacts 020 – 20 contacts 030 – 30 contacts 040 – 40 contacts 050 – 50 contacts 060 – 60 contacts 070 – 70 contacts 080 – 80 contacts 090 – 90 contacts 100 – 100 contacts	1 – Gold 2 – Pre-tinned, SnPb alloy (Plated thru-hole options, only) [‡] 3 – Pre-tinned, SAC305 alloy (Plated thru-hole options, only)	0256 – None
					TERMINATION 53 – Stackable, 0.212" x 0.025" Ø 54 – Stackable, 0.244" x 0.025" Ø 55 – Stackable, 0.275" x 0.025" Ø	

Notes:
 ‡ Not RoHS-compliant

PLEASE CONSULT THE AIRBORN WEBSITE FOR THE LATEST REVISION OF THIS DOCUMENT PRIOR TO BEGINNING ANY DESIGN WORK.

Mates with

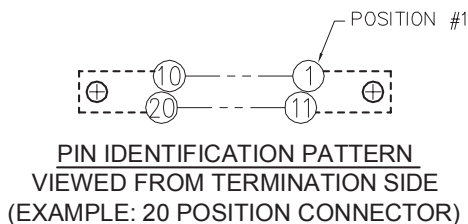
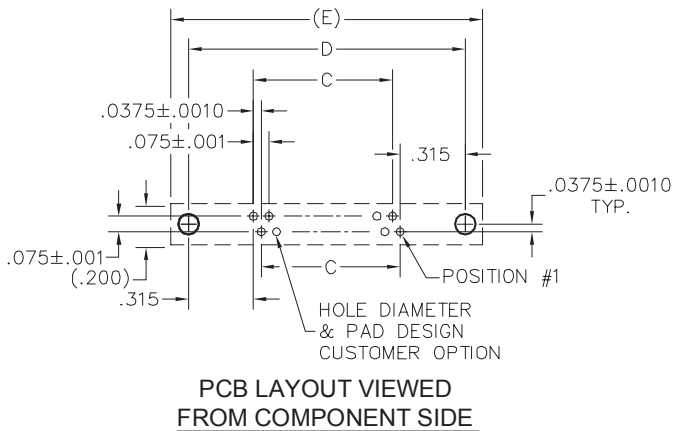
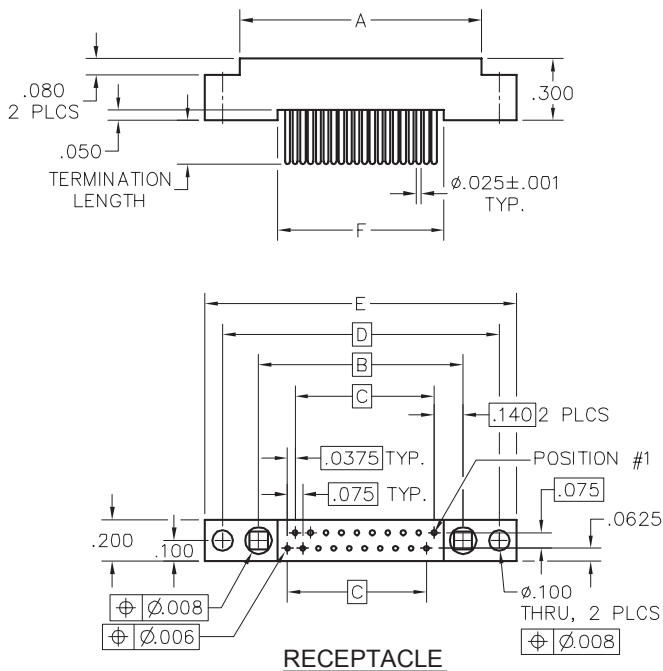
RM212 & RM232 — Two-row, straight plug
 RM252 & RM272 — Two-row, right-angle plug
 RM2 — Two-row, I/O receptacle
 RA2 — Two-row, I/O receptacle

Terminations

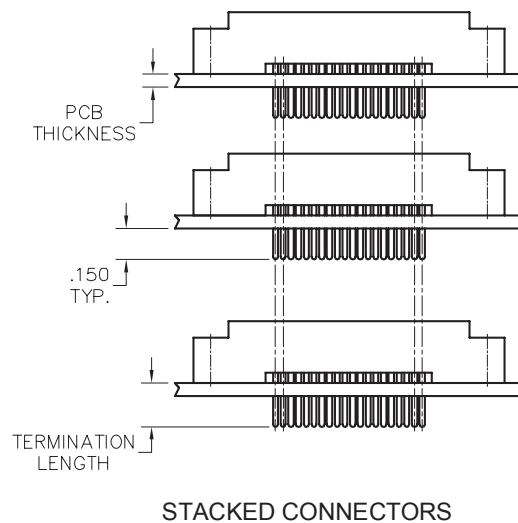


RM – Two-Row, Straight, Stackable, Board-Mount Receptacle

Plastic ▪ 2-Row ▪ 10-100 Contacts



DIMENSIONS						
SIZE	A	B	C	D	E	F
10	.797	.617	.300	.967	1.137	.420
20	1.172	.992	.675	1.342	1.512	.795
30	1.547	1.367	1.050	1.717	1.887	1.170
40	1.922	1.742	1.425	2.092	2.262	1.545
50	2.297	2.117	1.800	2.467	2.637	1.920
60	2.672	2.492	2.175	2.842	3.012	2.295
70	3.047	2.867	2.550	3.217	3.387	2.670
80	3.422	3.242	2.925	3.592	3.762	3.045
90	3.797	3.617	3.300	3.967	4.137	3.420
100	4.172	3.992	3.675	4.342	4.512	3.795



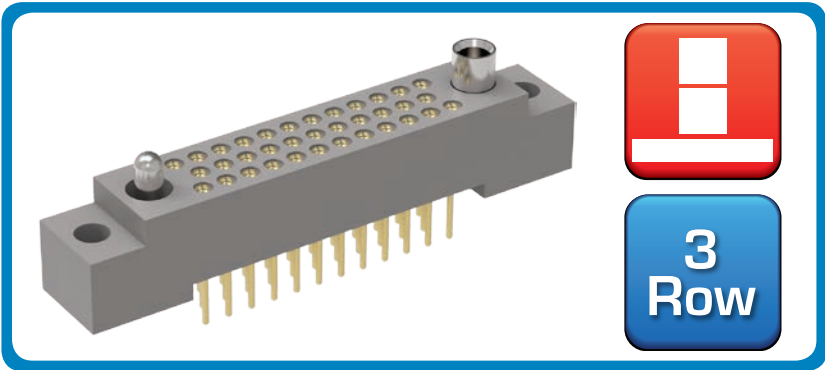
NOTES:
 Stacking connectors cannot have mating hardware.
 (-0256 indicates no hardware)

PC BOARD THICKNESS	TERMINATION LENGTH	PART NUMBER EXAMPLES
.062	.212	RM222-020-531-0256
.094	.244	RM222-020-541-0256
.125	.275	RM222-020-551-0256
CONNECTOR SAVER	.150	RM222-020-291-0256

PLEASE CONSULT THE AIRBORN WEBSITE FOR THE LATEST REVISION OF THIS DOCUMENT PRIOR TO BEGINNING ANY DESIGN WORK.



R Series High-Density 0.075" (1.905mm)



RM – Three-Row, Straight, Board-Mount Receptacle

Contact Spacing: 0.075" (1.91 mm)

R-Series products are high-density, plastic connectors commonly used in board-to-board applications. Approved to MIL-55302 standard.

Sample Part Number Format: RM322-152-211-5500

RM

SERIES
 0.075" Plastic Rectangular Connector (Receptacle)

3

ROWS
 3 – 3-Row (11-206 contacts)

2

STYLE
 2 – Receptacle, straight with mounting ears
 4 – Receptacle, straight without mounting ears

2

BODY MATERIAL
 2 – Polyphenylene sulfide (PPS)

011

SIZE
 011 – 11 contacts
 023 – 23 contacts
 035 – 35 contacts
 047 – 47 contacts
 059 – 59 contacts
 071 – 71 contacts
 080 – 80 contacts
 092 – 92 contacts
 104 – 104 contacts
 122 – 122 contacts
 140 – 140 contacts
 152 – 152 contacts
 182 – 182 contacts
 206 – 206 contacts

1

PLATING
 1 – Gold
 2 – Pre-tinned, SnPb alloy ‡
 3 – Pre-tinned, SAC305 alloy

TERMINATION

20 – Plated thru-hole, 0.109" x 0.020" Ø
 21 – Plated thru-hole, 0.140" x 0.020" Ø
 22 – Plated thru-hole, 0.172" x 0.020" Ø
 23 – Plated thru-hole, 0.250" x 0.020" Ø
 50 – Plated thru-hole, 0.140" x 0.016" Ø
 51 – Plated thru-hole, 0.172" x 0.016" Ø
 64 – Press-fit, 0.203" (board 0.093 – 0.125" thick)
 65 – Press-fit, 0.323" (board 0.156 – 0.200" thick)
 66 – Press-fit, 0.403" (board .250" or thicker)

0256

POLARIZATION
 00 – None
 XX – See page 140 for codes
 70 – Same as above, but without Loctite® (customer-keyed)

HARDWARE

0256 – None
 55 – Guide set
 57 – Two guide pins
 58 – Two guide sockets
 29 – Fixed jackset
 30 – Fixed jackset, reversed
 19 – Two fixed jackscrews
 20 – Two fixed jackscrews
 59 – Hex turning jackset, 0.200"
 60 – Hex turning jackset reversed, 0.200"
 61 – Two hex turning jackscrews, 0.200"
 62 – Two hex turning jackscrews, 0.200"
 64 – Turning jackset, 0.490"

Notes:

‡ Not RoHS-compliant

PLEASE CONSULT THE AIRBORN WEBSITE FOR THE LATEST REVISION OF THIS DOCUMENT PRIOR TO BEGINNING ANY DESIGN WORK.

Mates with

- RM312 & RM332 — Three-row, straight plug
- RM352 & RM372 — Three-row, right-angle plug
- RA3 — Three-row, I/O plug

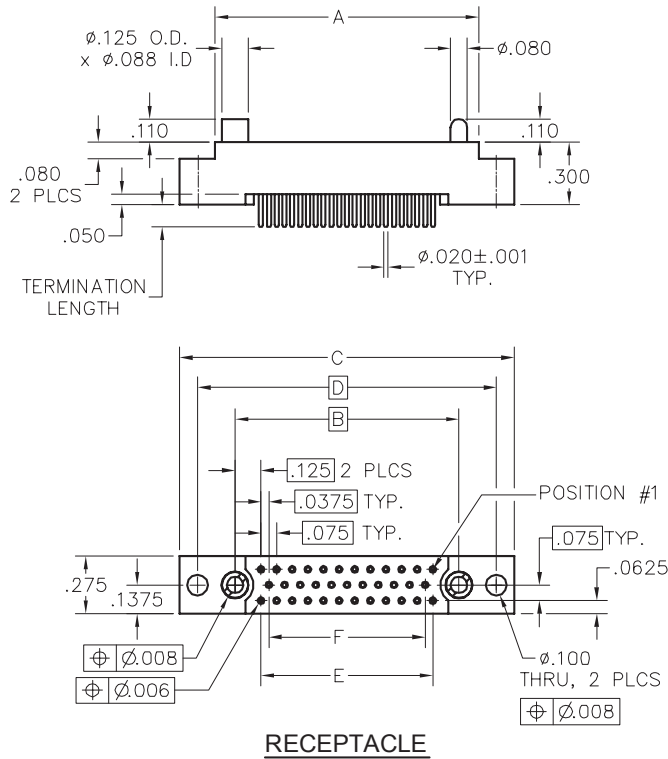
Terminations



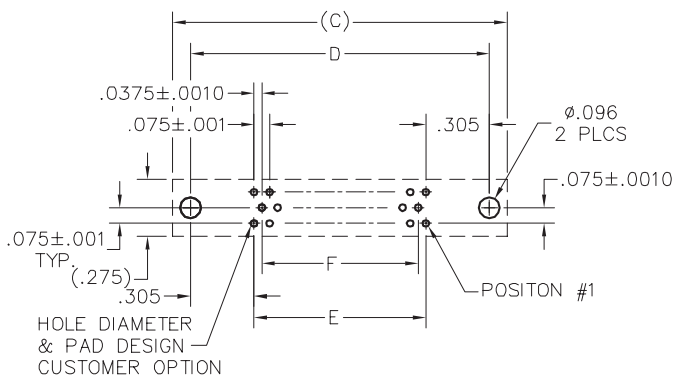


RM – Three-Row, Straight, Board-Mount Receptacle

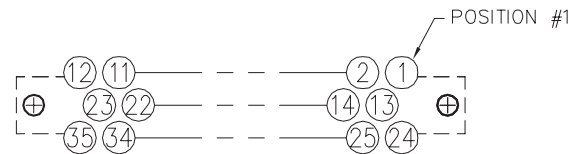
Plastic ▪ 3-Row ▪ 11-206 Contacts



DIMENSIONS						
SIZE	A	B	C	D	E	F
11	.665	.475	1.005	.835	.225	.150
23	.965	.775	1.305	1.135	.525	.450
35	1.265	1.075	1.605	1.435	.825	.750
47	1.565	1.375	1.905	1.735	1.125	1.050
59	1.865	1.675	2.205	2.035	1.425	1.350
71	2.165	1.975	2.505	2.335	1.725	1.650
80	2.390	2.200	2.730	2.560	1.950	1.875
92	2.690	2.500	3.030	2.860	2.250	2.175
104	2.990	2.800	3.330	3.160	2.550	2.475
122	3.440	3.250	3.780	3.610	3.000	2.925
140	3.890	3.700	4.230	4.060	3.450	3.375
152	4.190	4.000	4.530	4.360	3.750	3.675
182	4.940	4.750	5.280	5.110	4.500	4.425
206	5.540	5.350	5.880	5.710	5.100	5.025



PCB LAYOUT VIEWED
 FROM COMPONENT SIDE



PIN IDENTIFICATION PATTERN
 VIEWED FROM TERMINATION SIDE
 (EXAMPLE: 35 POSITION CONNECTOR)

PLEASE CONSULT THE AIRBORN WEBSITE FOR THE LATEST REVISION OF THIS DOCUMENT PRIOR TO BEGINNING ANY DESIGN WORK.

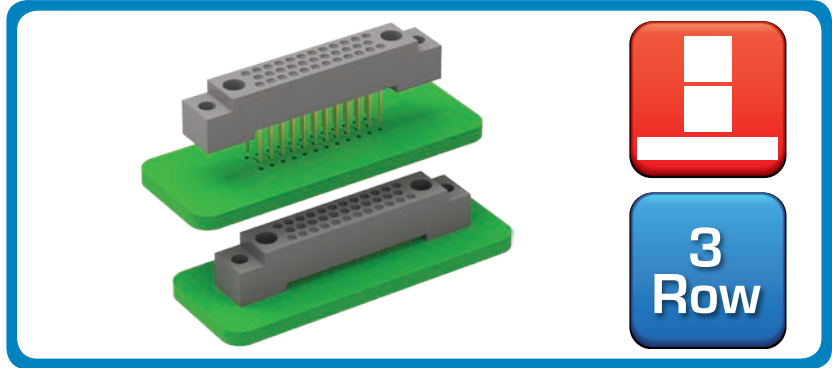


R Series High-Density 0.075" (1.905mm)

RM – Three-Row, Straight, Stackable, Board-Mount Receptacle

Contact Spacing: 0.075" (1.91 mm)

R-Series products are high-density, plastic connectors commonly used in board-to-board applications. Approved to MIL-55302 standard.



Sample Part Number Format: RM322-035-531-0256



SERIES	ROWS	STYLE	BODY MATERIAL	SIZE	PLATING	HARDWARE
0.075" Plastic Rectangular Connector (Receptacle)	3 – 3-Row (11-206 contacts)	2 – Receptacle, straight with mounting ears 4 – Receptacle, straight without mounting ears	2 – Polyphenylene sulfide (PPS)	011 – 11 contacts 023 – 23 contacts 035 – 35 contacts 047 – 47 contacts 059 – 59 contacts 071 – 71 contacts 080 – 80 contacts 092 – 92 contacts 104 – 104 contacts 122 – 122 contacts 140 – 140 contacts 152 – 152 contacts 182 – 182 contacts 206 – 206 contacts	1 – Gold 2 – Pre-tinned, SnPb alloy (Plated thru-hole options, only) [‡] 3 – Pre-tinned, SAC305 alloy (Plated thru-hole options, only)	0256 – None

TERMINATION
53 – Stackable, 0.212" x 0.025" Ø
54 – Stackable, 0.244" x 0.025" Ø
55 – Stackable, 0.275" x 0.025" Ø

Notes:

‡ Not RoHS-compliant

PLEASE CONSULT THE AIRBORN WEBSITE FOR THE LATEST REVISION OF THIS DOCUMENT PRIOR TO BEGINNING ANY DESIGN WORK.

Mates with

- RM312 & RM332 — Three-row, straight plug
- RM352 & RM372 — Three-row, right-angle plug
- RA3 — Three-row, I/O plug

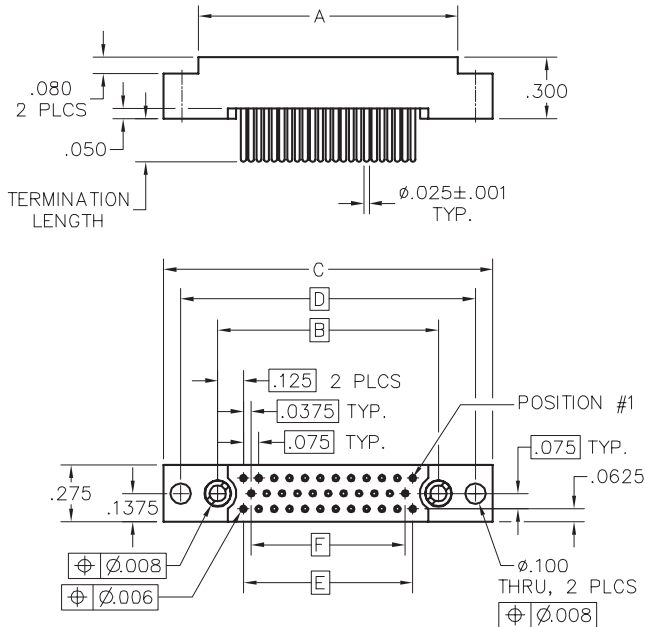
Terminations



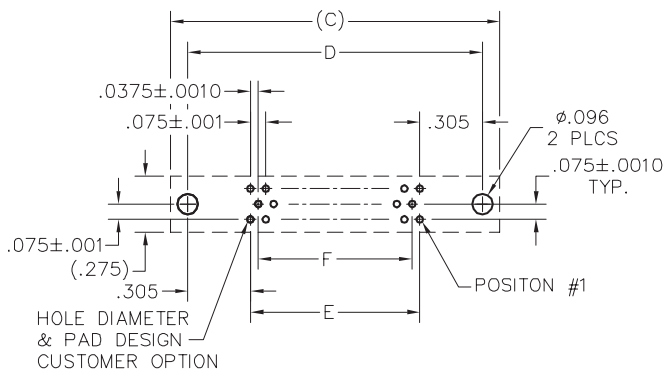


RM – Three-Row, Straight, Stackable, Board-Mount Receptacle

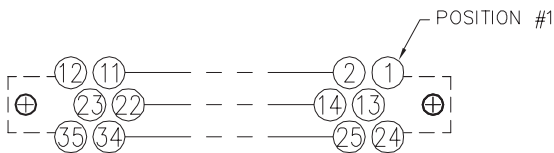
Plastic ▪ 3-Row ▪ 11-206 Contacts



RECEPTACLE

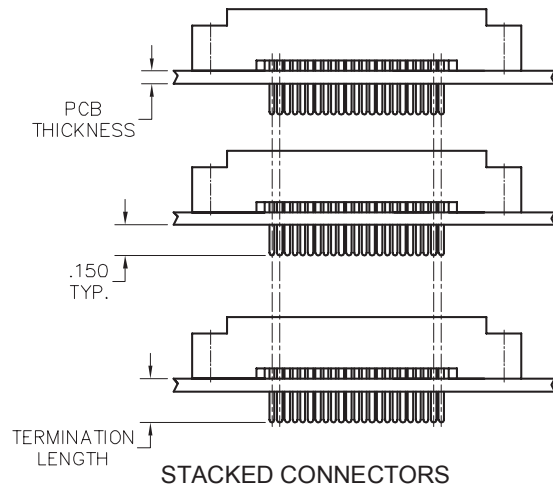


PCB LAYOUT VIEWED FROM COMPONENT SIDE



PIN IDENTIFICATION PATTERN VIEWED FROM TERMINATION SIDE (EXAMPLE: 35 POSITION CONNECTOR)

DIMENSIONS						
SIZE	A	B	C	D	E	F
11	.665	.475	1.005	.835	.225	.150
23	.965	.775	1.305	1.135	.525	.450
35	1.265	1.075	1.605	1.435	.825	.750
47	1.565	1.375	1.905	1.735	1.125	1.050
59	1.865	1.675	2.205	2.035	1.425	1.350
71	2.165	1.975	2.505	2.335	1.725	1.650
80	2.390	2.200	2.730	2.560	1.950	1.875
92	2.690	2.500	3.030	2.860	2.250	2.175
104	2.990	2.800	3.330	3.160	2.550	2.475
122	3.440	3.250	3.780	3.610	3.000	2.925
140	3.890	3.700	4.230	4.060	3.450	3.375
152	4.190	4.000	4.530	4.360	3.750	3.675
182	4.940	4.750	5.280	5.110	4.500	4.425
206	5.540	5.350	5.880	5.710	5.100	5.025



STACKED CONNECTORS

NOTES:

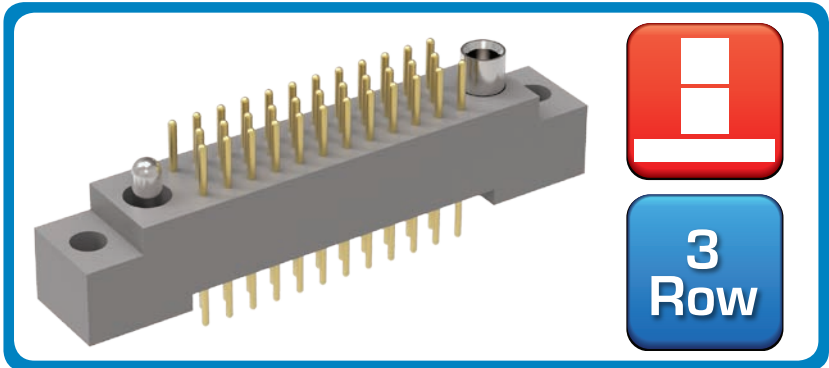
Stacking connectors cannot have mating hardware. (-0256 indicates no hardware)

PC BOARD THICKNESS	TERMINATION LENGTH	PART NUMBER EXAMPLES
.062	.212	RM332-035-531-0256
.094	.244	RM332-035-541-0256
.125	.275	RM332-035-551-0256
CONNECTOR SAVER	.150	RM332-035-291-0256

PLEASE CONSULT THE AIRBORN WEBSITE FOR THE LATEST REVISION OF THIS DOCUMENT PRIOR TO BEGINNING ANY DESIGN WORK.



R Series High-Density 0.075" (1.905mm)



RM – Three-Row, Straight, Board-Mount Plug

Contact Spacing: 0.075" (1.91 mm)

R-Series products are high-density, plastic connectors commonly used in board-to-board applications. Approved to MIL-55302 standard.

Sample Part Number Format: RM332-035-102-5500

RM	3		2						
SERIES 0.075" Plastic Rectangular Connector (Plug)	ROWS 3 – 3-Row (11-206 contacts)	STYLE 1 – Plug, straight with mounting ears 3 – Plug, straight without mounting ears	BODY MATERIAL 2 – Polyphenylene sulfide (PPS)	SIZE 011 – 11 contacts 023 – 23 contacts 035 – 35 contacts 047 – 47 contacts 059 – 59 contacts 071 – 71 contacts 080 – 80 contacts 092 – 92 contacts 104 – 104 contacts 122 – 122 contacts 140 – 140 contacts 152 – 152 contacts 182 – 182 contacts 206 – 206 contacts	PLATING 1 – Gold 2 – Pre-tinned, SnPb alloy ‡ 3 – Pre-tinned, SAC305 alloy	TERMINATION 10 – Plated thru-hole, 0.109" x 0.020" Ø 12 – Plated thru-hole, 0.140" x 0.020" Ø 13 – Plated thru-hole, 0.172" x 0.020" Ø 14 – Plated thru-hole, 0.250" x 0.020" Ø	HARDWARE 0256 – None 55 – Guide set 57 – Two guide pins 58 – Two guide sockets 29 – Fixed jackset 30 – Fixed jackset, reversed 19 – Two fixed jackscrews 20 – Two fixed jackscrews 59 – Hex turning jackset, 0.200" 60 – Hex turning jackset reversed, 0.200" 61 – Two hex turning jackscrews, 0.200" 62 – Two hex turning jackscrews, 0.200" 64 – Turning jackset, 0.490"	POLARIZATION 00 – None XX – See page 140 for codes 70 – Same as above, but without Loctite® (customer-keyed)	OPTIONS BN – Bond #1-72, small pattern hex nuts into mounting ears

Notes:

‡ Not RoHS-compliant

PLEASE CONSULT THE AIRBORN WEBSITE FOR THE LATEST REVISION OF THIS DOCUMENT PRIOR TO BEGINNING ANY DESIGN WORK.

Mates with

- RM322 & RM342 — Three-row, straight receptacle
- RM362 & RM382 — Three-row, right-angle receptacle
- RA3E, 3F, 3G, 3H — Three-row, I/O receptacle

Terminations

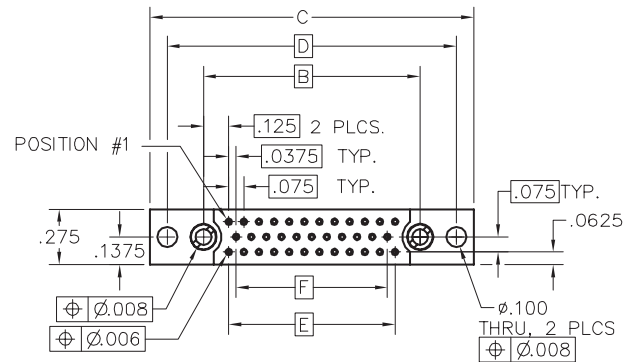
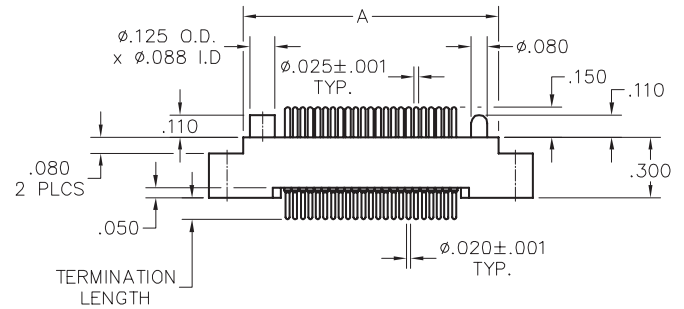




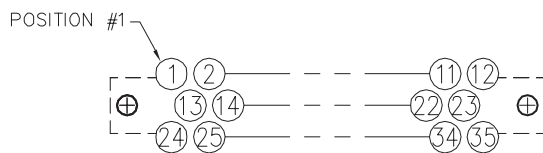
RM – Three-Row, Straight, Board-Mount Plug

Plastic ▪ 3-Row ▪ 11-206 Contacts

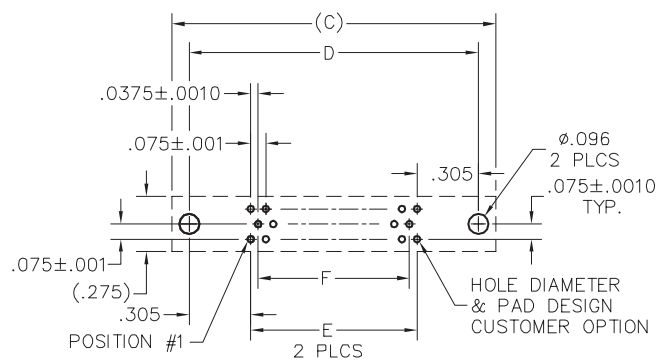
DIMENSIONS						
SIZE	A	B	C	D	E	F
11	.665	.475	1.005	.835	.225	.150
23	.965	.775	1.305	1.135	.525	.450
35	1.265	1.075	1.605	1.435	.825	.750
47	1.565	1.375	1.905	1.735	1.125	1.050
59	1.865	1.675	2.205	2.035	1.425	1.350
71	2.165	1.975	2.505	2.335	1.725	1.650
80	2.390	2.200	2.730	2.560	1.950	1.875
92	2.690	2.500	3.030	2.860	2.250	2.175
104	2.990	2.800	3.330	3.160	2.550	2.475
122	3.440	3.250	3.780	3.610	3.000	2.925
140	3.890	3.700	4.230	4.060	3.450	3.375
152	4.190	4.000	4.530	4.360	3.750	3.675
182	4.940	4.750	5.280	5.110	4.500	4.425
206	5.540	5.350	5.880	5.710	5.100	5.025



PLUG



PIN IDENTIFICATION PATTERN
VIEWED FROM TERMINATION SIDE
(EXAMPLE: 35 POSITION CONNECTOR)



PCB LAYOUT VIEWED FROM COMPONENT SIDE

PLEASE CONSULT THE AIRBORN WEBSITE FOR THE LATEST REVISION OF THIS DOCUMENT PRIOR TO BEGINNING ANY DESIGN WORK.



R

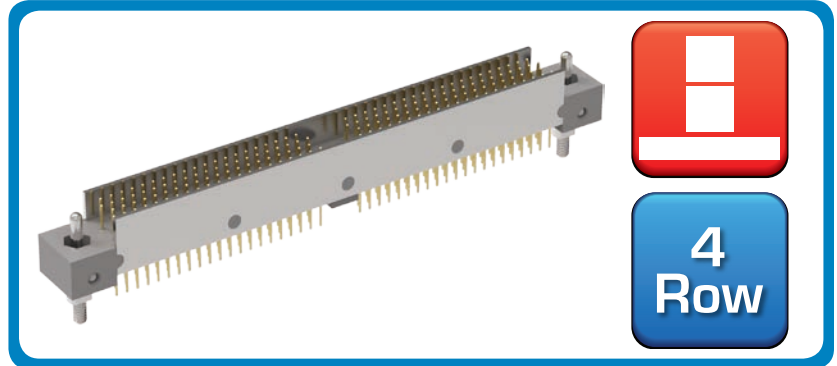
Series

High-Density
 0.075"
 (1.905mm)

RM – Four-Row, Straight, Board-Mount Plug

Contact Spacing: 0.075" (1.91 mm)

R-Series products are high-density, plastic connectors commonly used in board-to-board applications. Approved to MIL-55302 standard.



Sample Part Number Format: RM412-164-522-9501

RM	4	1	2	-	-	-	-	-	-
SERIES 0.075" Plastic Rectangular Connector (Plug)	ROWS 4 – 4-Row (86-404 contacts)	STYLE 1 – Plug, straight with mounting ears	BODY MATERIAL 2 – Polyphenylene sulfide (PPS)	SIZE 086 – 86 contacts 110 – 110 contacts 164 – 164 contacts 196 – 196 contacts 204 – 204 contacts 220 – 220 contacts 250 – 250 contacts 276 – 276 contacts 300 – 300 contacts 404 – 404 contacts	PLATING 1 – Gold 2 – Pre-tinned, SnPb alloy ‡ 3 – Pre-tinned, SAC305 alloy	TERMINATION 51 – Plated thru-hole, 0.109" x 0.018" Ø 52 – Plated thru-hole, 0.140" x 0.018" Ø 53 – Plated thru-hole, 0.172" x 0.018" Ø 54 – Plated thru-hole, 0.250" x 0.018" Ø	HARDWARE 0256 – None 84 – Fixed jackset, reversed, #2-56 x 0.320" 90 – Guide pins, full round, #2-56 x 0.320" 92 – Hex turning jackset, 0.200" 93 – Fixed jackset, #2-56 x 0.247" 94 – Fixed jackset, #2-56 x 0.320" 95 – Guide pins, polarized, #2-56 x 0.320" ** 9501-9536 – Guide pins, polarized, #2-56 x 0.320" 99 – Guide pins, universal, #2-56 x 0.320"	POLARIZATION 00 – None XX – See page 141 for codes	

Notes:

- ‡ Not RoHS-compliant
- ** This hardware option is packaged unassembled (uninstalled)

PLEASE CONSULT THE AIRBORN WEBSITE FOR THE LATEST REVISION OF THIS DOCUMENT PRIOR TO BEGINNING ANY DESIGN WORK.

Mates with

- RM422 — Four-row, straight receptacle
- RM462 — Four-row, right-angle receptacle
- RM422 — Four-row, I/O receptacle

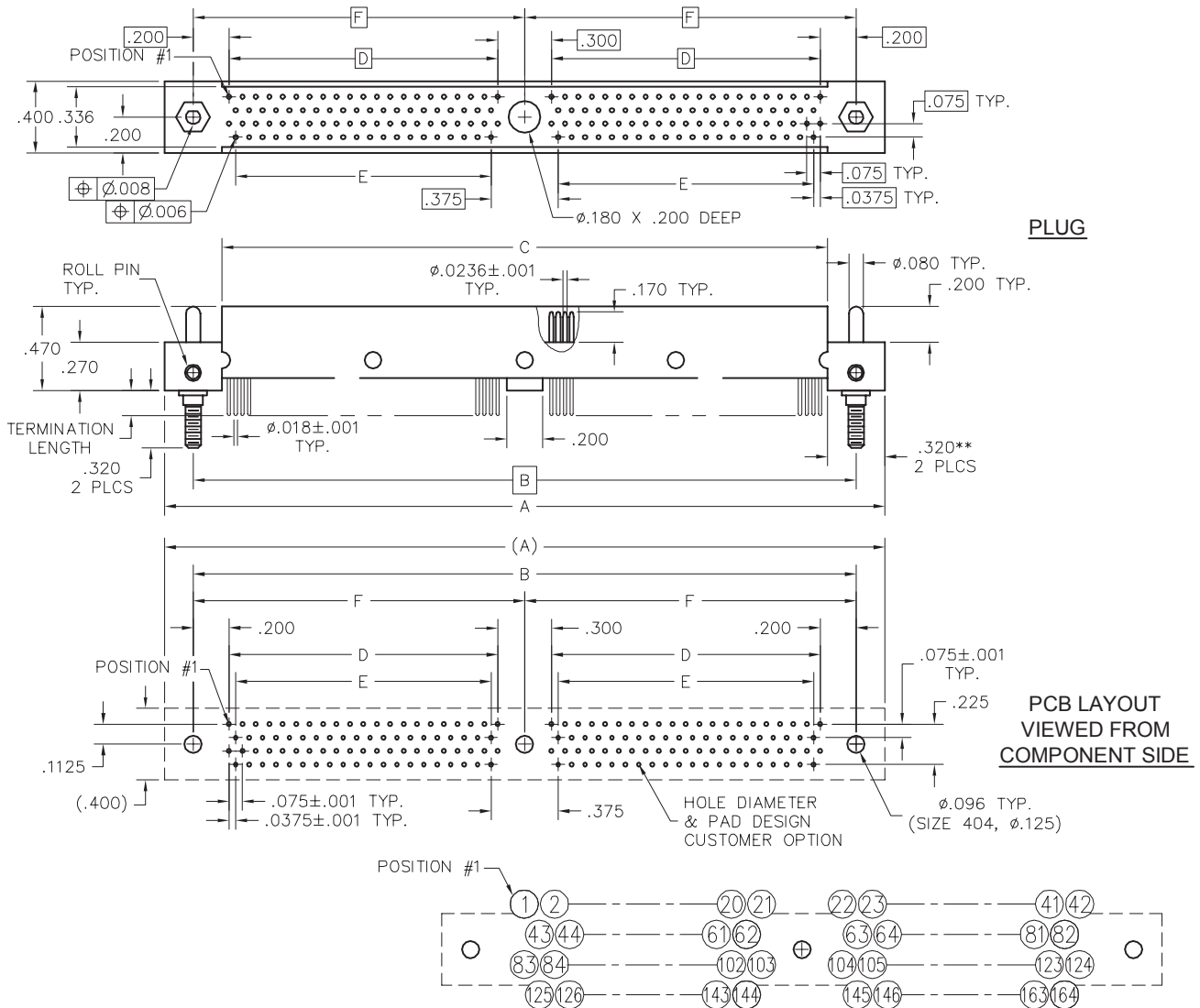
Terminations





RM – Four-Row, Straight, Board-Mount Plug

Plastic ▪ 4-Row ▪ 86-404 Contacts



DIMENSIONS						
SIZE	A	B	C	D	E	F
86*	2.255	1.975	1.655	1.575	1.500	—
110*	2.745	2.425	2.105	2.025	1.950	—
164	4.020	3.700	3.380	1.500	1.425	1.850
196	4.620	4.300	3.980	1.800	1.725	2.150
204	4.770	4.450	4.130	1.875	1.800	2.225
220	5.070	4.750	4.430	2.025	1.950	2.375
250*	5.370	5.050	4.730	4.650	4.575	—
276	6.120	5.800	5.480	2.550	2.475	2.900
300	6.570	6.250	5.930	2.775	2.700	3.125
404	8.520	8.200	7.880	3.750	3.675	4.100

PLEASE CONSULT THE AIRBORN WEBSITE FOR THE LATEST REVISION OF THIS DOCUMENT PRIOR TO BEGINNING ANY DESIGN WORK.



R

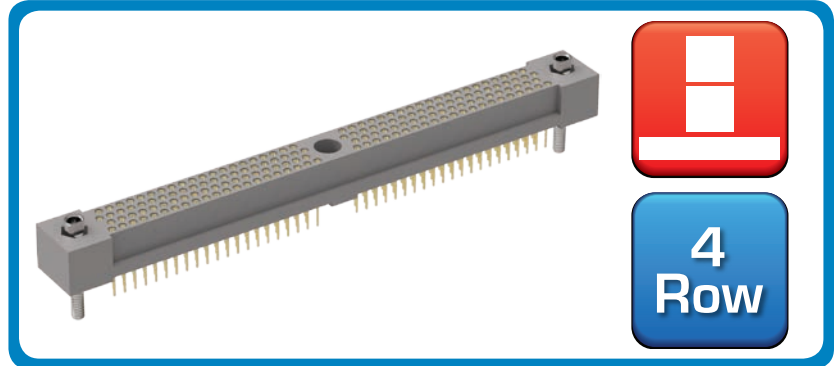
Series

High-Density
0.075"
(1.905mm)

RM – Four-Row, Straight, Board-Mount Receptacle

Contact Spacing: 0.075" (1.91 mm)

R-Series products are high-density, plastic connectors commonly used in board-to-board applications. Approved to MIL-55302 standard.



Sample Part Number Format: RM422-164-832-9601

RM	4	2	2	-	-	-	-	-
SERIES 0.075" Plastic Rectangular Connector (Receptacle)	ROWS 4 – 4-Row (86-404 contacts)	STYLE 2 – Receptacle, straight without mounting ears	BODY MATERIAL 2 – Polyphenylene sulfide (PPS)	SIZE 086 – 86 contacts 110 – 110 contacts 164 – 164 contacts 196 – 196 contacts 204 – 204 contacts 220 – 220 contacts 250 – 250 contacts 276 – 276 contacts 300 – 300 contacts 404 – 404 contacts	PLATING 1 – Gold 2 – Pre-tinned, SnPb alloy ‡ 3 – Pre-tinned, SAC305 alloy	TERMINATION 75 – Plated thru-hole, 0.250" x 0.018" Ø 81 – Plated thru-hole, 0.109" x 0.018" Ø 82 – Plated thru-hole, 0.140" x 0.018" Ø 83 – Plated thru-hole, 0.172" x 0.018" Ø 87 – Press-fit, 0.188" (board 0.093"-0.125" thick) 88 – Press-fit, 0.308" (board 0.156"-0.200" thick)	HARDWARE 0256 – None 84 – Fixed jackset, reversed, #2-56 x 0.320" 91 – Guide sockets, full round, #2-56 x 0.247" 92 – Hex turning jackset, 0.200" 93 – Fixed jackset, #2-56 x 0.247" 94 – Fixed jackset, #2-56 x 0.320" 96 – Guide sockets, polarized, #2-56 x 0.320" ** 9601-9636 – Guide sockets, polarized, #2-56 x 0.320" 97 – Guide sockets, polarized, #2-56 x 0.247" ** 9701-9736 – Guide sockets, polarized, #2-56 x 0.247" 98 – Guide sockets, universal, #2-56 x 0.247"	POLARIZATION 00 – None XX – See page 141 for codes

Notes:

- ‡ Not RoHS-compliant
- ** This hardware option is packaged unassembled (uninstalled)

PLEASE CONSULT THE AIRBORN WEBSITE FOR THE LATEST REVISION OF THIS DOCUMENT PRIOR TO BEGINNING ANY DESIGN WORK.

Mates with

- RM412 — Four-row, straight plug
- RM452 — Four-row, right-angle plug
- RM412 — Four-row, I/O plug

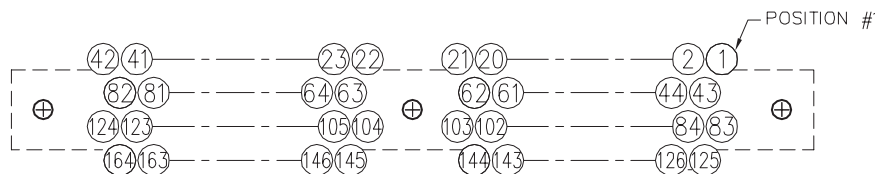
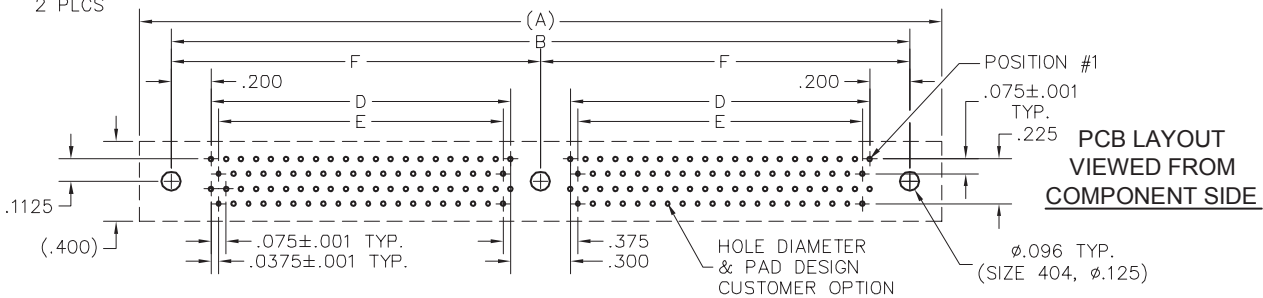
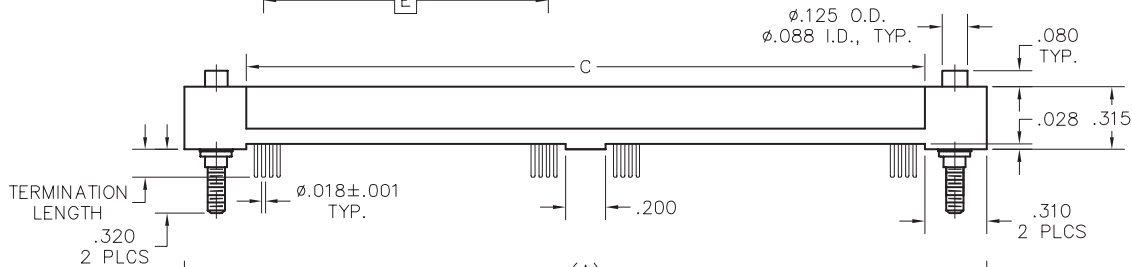
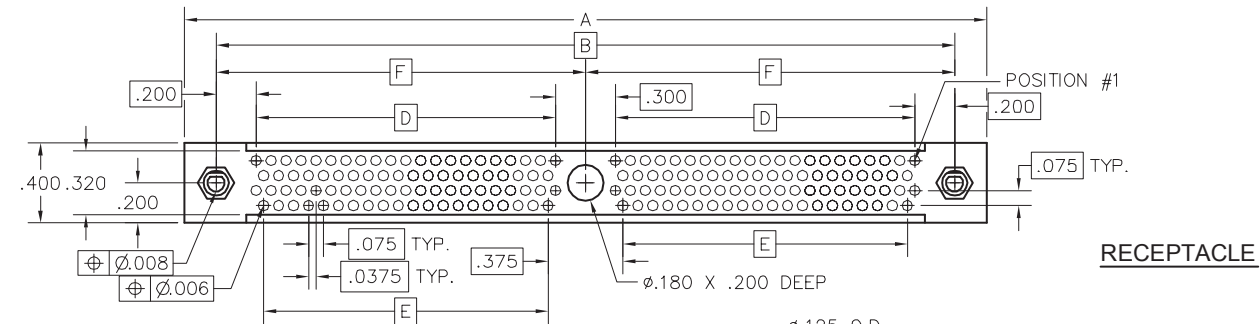
Terminations





RM – Four-Row, Straight, Board-Mount Receptacle

Plastic ▪ 4-Row ▪ 86-404 Contacts



(EXAMPLE: 164 POSITION CONNECTOR)

DIMENSIONS						
SIZE	A	B	C	D	E	F
86*	2.255	1.975	1.655	1.575	1.500	–
110*	2.745	2.425	2.105	2.025	1.950	–
164	4.020	3.700	3.380	1.500	1.425	1.850
196	4.620	4.300	3.980	1.800	1.725	2.150
204	4.770	4.450	4.130	1.875	1.800	2.225
220	5.070	4.750	4.430	2.025	1.950	2.375
250*	5.370	5.050	4.730	4.650	4.575	–
276	6.120	5.800	5.480	2.550	2.475	2.900
300	6.570	6.250	5.930	2.775	2.700	3.125
404	8.520	8.200	7.880	3.750	3.675	4.100

NOTES:

* = Single section, no center mounting hole

PLEASE CONSULT THE AIRBORN WEBSITE FOR THE LATEST REVISION OF THIS DOCUMENT PRIOR TO BEGINNING ANY DESIGN WORK.



R

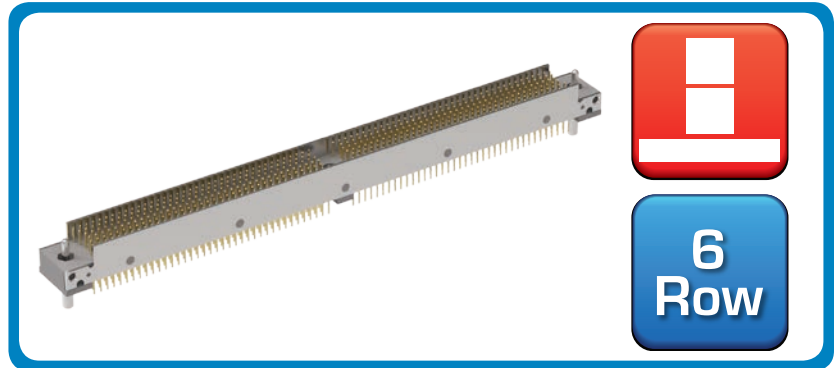
Series

High-Density
 0.075"
 (1.905mm)

RM – Six-Row, Straight, Board-Mount Plug

Contact Spacing: 0.075" (1.91 mm)

R-Series products are high-density, plastic connectors commonly used in board-to-board applications. Approved to MIL-55302 standard.



Sample Part Number Format: RM612-448-522-9501

RM	6	1	2				
SERIES 0.075" Plastic Rectangular Connector (Plug)	ROWS 6 – 6-Row (448 or 604 contacts)	STYLE 1 – Plug, straight with mounting ears	BODY MATERIAL 2 – Polyphenylene sulfide (PPS)	SIZE 448 – 448 contacts 604 – 604 contacts	PLATING 1 – Gold 2 – Pre-tinned, SnPb alloy ‡ 3 – Pre-tinned, SAC305 alloy	TERMINATION 51 – Plated thru-hole, 0.109" x 0.018" Ø 52 – Plated thru-hole, 0.140" x 0.018" Ø 53 – Plated thru-hole, 0.172" x 0.018" Ø 54 – Plated thru-hole, 0.250" x 0.018" Ø	HARDWARE 0256 – None 84 – Fixed jackset, reversed, #2-56 x 0.320" 90 – Guide pins, full round, #2-56 x 0.320" 92 – Hex turning jackset, 0.200" 93 – Fixed jackset, #2-56 x 0.247" 94 – Fixed jackset, #2-56 x 0.320" 95 – Guide pins, polarized, #2-56 x 0.320" ** 9501-9536 – Guide pins, polarized, #2-56 x 0.320" 99 – Guide pins, universal, #2-56 x 0.320"
							POLARIZATION 00 – None XX – See page 141 for codes

Notes:

- ‡ Not RoHS-compliant
- ** This hardware option is packaged unassembled (uninstalled)

PLEASE CONSULT THE AIRBORN WEBSITE FOR THE LATEST REVISION OF THIS DOCUMENT PRIOR TO BEGINNING ANY DESIGN WORK.

Mates with

- RM622 — Six-row, straight receptacle
- RM662 — Six-row, right-angle receptacle
- RM622 — Six-row, I/O receptacle

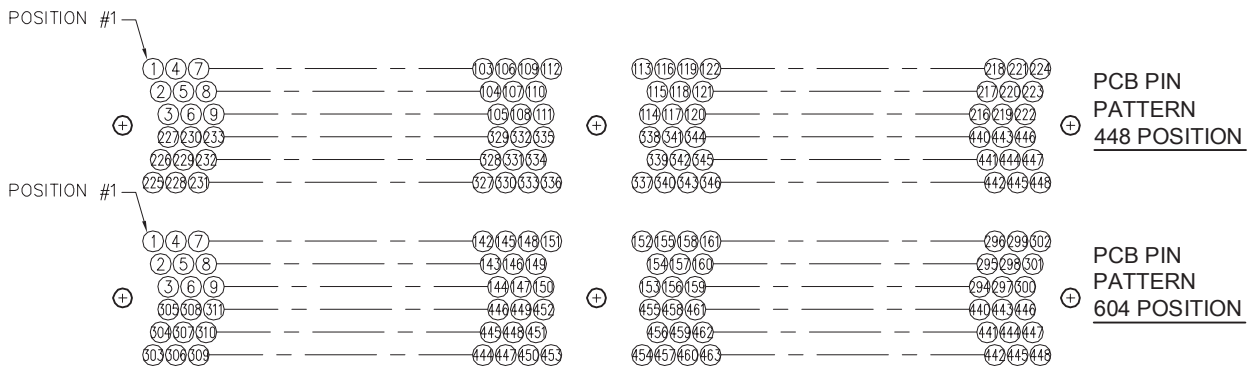
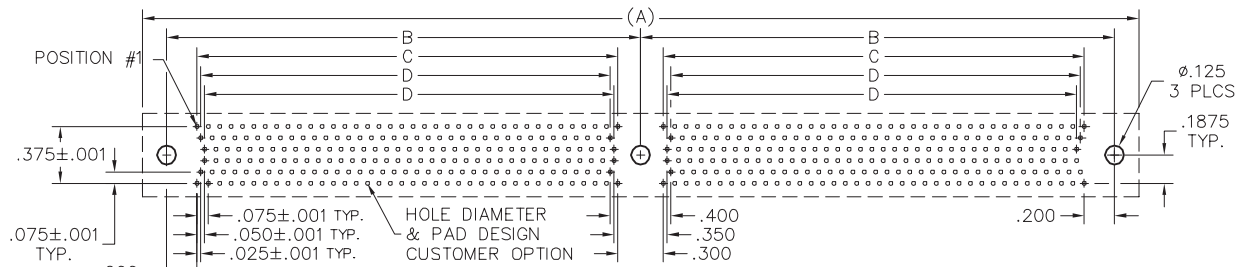
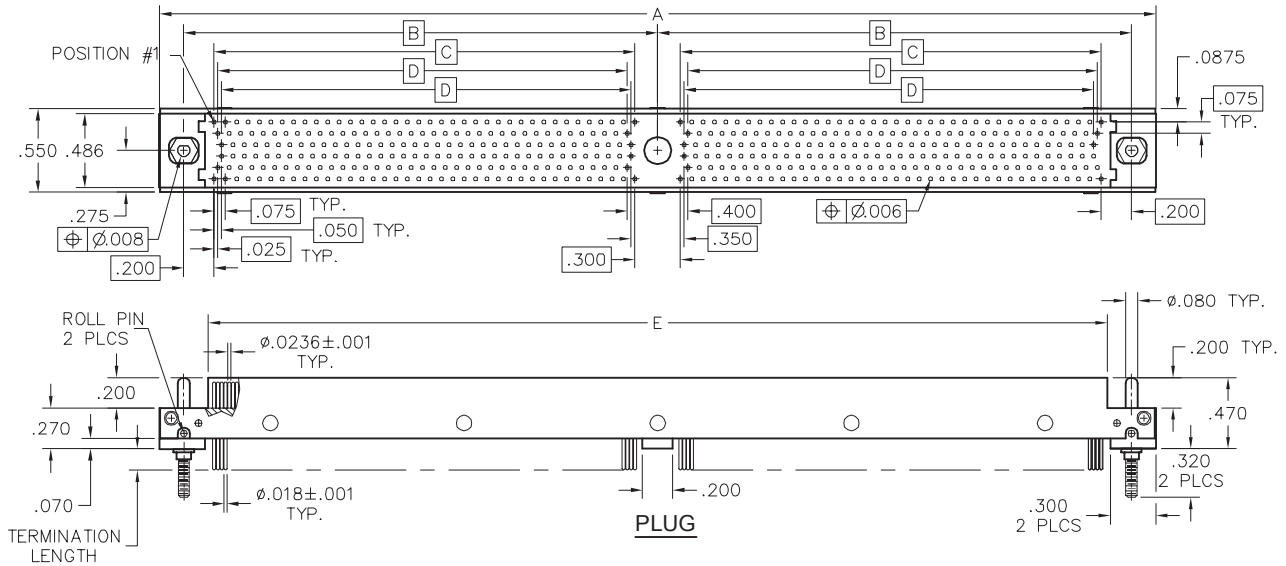
Terminations





RM – Six-Row, Straight, Board-Mount Plug

Plastic ▪ 6-Row ▪ 448 & 604 Contacts



DIMENSIONS					
SIZE	A	B	C	D	E
448	6.570	3.125	2.775	2.700	5.930
604	8.520	4.100	3.750	3.675	7.880

PLEASE CONSULT THE AIRBORN WEBSITE FOR THE LATEST REVISION OF THIS DOCUMENT PRIOR TO BEGINNING ANY DESIGN WORK.



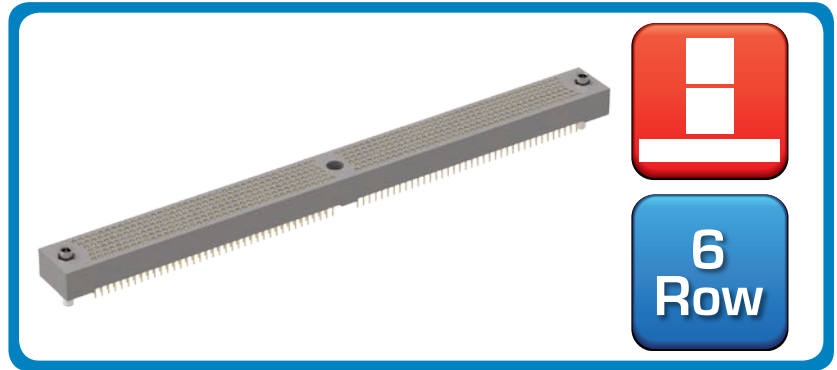
R
Series

High-Density
0.075"
(1.905mm)

RM – Six-Row, Straight, Board-Mount Receptacle

Contact Spacing: **0.075" (1.91 mm)**

R-Series products are high-density, plastic connectors commonly used in board-to-board applications. Approved to MIL-55302 standard.



Sample Part Number Format: RM622-448-822-9601



<p>SERIES 0.075" Plastic Rectangular Connector (Receptacle)</p>	<p>ROWS 6 – 6-Row (448 & 604 contacts)</p>	<p>STYLE 2 – Receptacle, straight with mounting ears</p>	<p>BODY MATERIAL 2 – Polyphenylene sulfide (PPS)</p>	<p>SIZE 448 – 448 contacts 604 – 604 contacts</p>	<p>PLATING 1 – Gold 2 – Pre-tinned, SnPb alloy ‡ 3 – Pre-tinned, SAC305 alloy</p>	<p>POLARIZATION 00 – None XX – See page 141 for codes</p>	<p>TERMINATION 75 – Plated thru-hole, 0.250" x 0.018" Ø 81 – Plated thru-hole, 0.109" x 0.018" Ø 82 – Plated thru-hole, 0.140" x 0.018" Ø 83 – Plated thru-hole, 0.172" x 0.018" Ø 87 – Press-fit, 0.188" (board 0.093"–0.125" thick) 88 – Press-fit, 0.308" (board 0.156"–0.200" thick)</p>	<p>HARDWARE 0256 – None 91 – Guide sockets, full round, #2-56 x 0.247" 92 – Hex turning jackset, 0.200" 93 – Fixed jacket, #2-56 x 0.247" 96 – Guide sockets, polarized, #2-56 x 0.320" ** 9601-9636 – Guide sockets, polarized, #2-56 x 0.320" 97 – Guide sockets, polarized, #2-56 x 0.247" ** 9701-9736 – Guide sockets, polarized, #2-56 x 0.247" 98 – Guide sockets, universal, #2-56 x 0.247"</p>
--	---	---	---	--	--	--	---	--

Notes:

- ‡ Not RoHS-compliant
- * Plated thru-hole is not available with flex circuit termination.
- ** This hardware option is packaged unassembled (uninstalled)

PLEASE CONSULT THE AIRBORN WEBSITE FOR THE LATEST REVISION OF THIS DOCUMENT PRIOR TO BEGINNING ANY DESIGN WORK.

Mates with

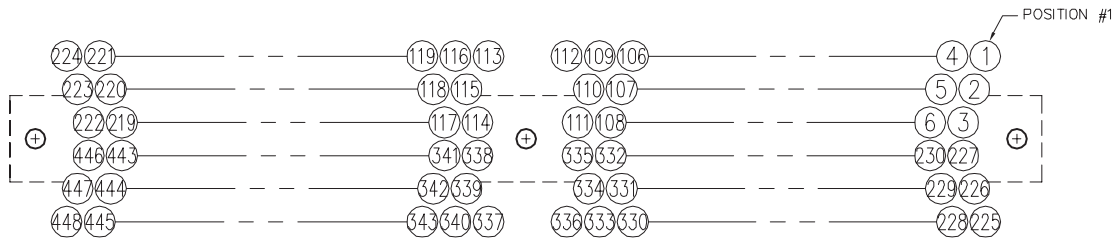
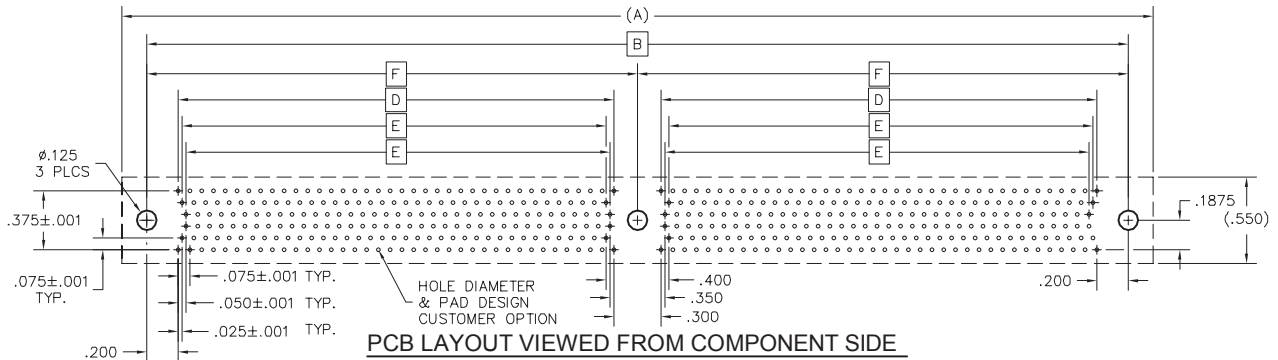
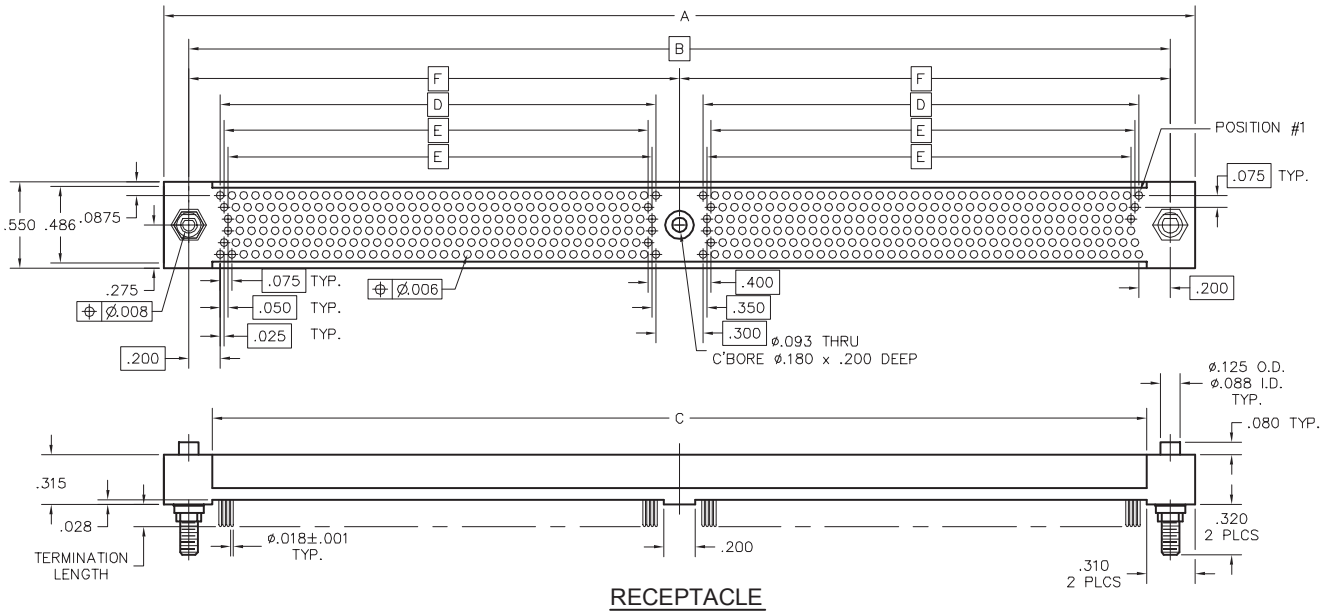
- RM612 — Six-row, straight plug
- RM652 — Six-row, right-angle plug
- RM612 — Six-row, I/O plug

Terminations



RM – Six-Row, Straight, Board-Mount Receptacle

Plastic ▪ 6-Row ▪ 448 & 604 Contacts

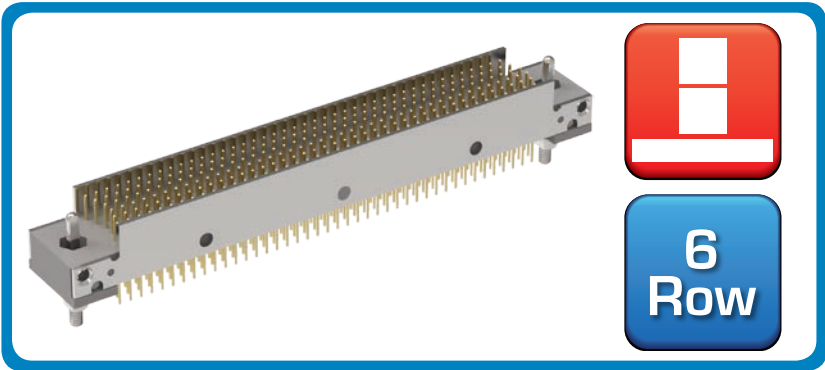


DIMENSIONS						
SIZE	A	B	C	D	E	F
448	6.570	6.250	5.950	2.775	2.700	3.125
604	8.520	8.200	7.900	3.750	3.675	4.100

PLEASE CONSULT THE AIRBORN WEBSITE FOR THE LATEST REVISION OF THIS DOCUMENT PRIOR TO BEGINNING ANY DESIGN WORK.



R Series High-Density 0.075" (1.905mm)



RM – Six-Row, Straight, Board-Mount Plug

Contact Spacing: 0.075" (1.91 mm)

R-Series products are high-density, plastic connectors commonly used in board-to-board applications. Approved to MIL-55302 standard.

Sample Part Number Format: RM632-252-522-9501

RM	6	3	2	-		-		-		
SERIES 0.075" Plastic Rectangular Connector (Plug)	ROWS 6 – 6-Row (162-402 contacts)	STYLE 3 – Plug, straight without mounting ears	BODY MATERIAL 2 – Polyphenylene sulfide (PPS)	SIZE 162 – 162 contacts 204 – 204 contacts 252 – 252 contacts 300 – 300 contacts 360 – 360 contacts 402 – 402 contacts	PLATING 1 – Gold 2 – Pre-tinned, SnPb alloy ‡ 3 – Pre-tinned, SAC305 alloy	TERMINATION 51 – Plated thru-hole, 0.109" x 0.018" Ø 52 – Plated thru-hole, 0.140" x 0.018" Ø 53 – Plated thru-hole, 0.172" x 0.018" Ø 54 – Plated thru-hole, 0.250" x 0.018" Ø	HARDWARE 0256 – None 84 – Fixed jackset, reversed, #2-56 x 0.320" 90 – Guide pins, full round, #2-56 x 0.320" 92 – Hex turning jackset, 0.200" 93 – Fixed jackset, #2-56 x 0.247" 94 – Fixed jackset, #2-56 x 0.320" 95 – Guide pins, polarized, #2-56 x 0.320" ** 9501-9536 – Guide pins, polarized, #2-56 x 0.320" 99 – Guide pins, universal, #2-56 x 0.320"	POLARIZATION 00 – None XX – See page 141 for codes		

Notes:

- ‡ Not RoHS-compliant
- ** This hardware option is packaged unassembled (uninstalled)

PLEASE CONSULT THE AIRBORN WEBSITE FOR THE LATEST REVISION OF THIS DOCUMENT PRIOR TO BEGINNING ANY DESIGN WORK.

Mates with

- RM622 — Six-row, straight receptacle
- RM662 — Six-row, right-angle receptacle
- RM622 — Six-row, I/O receptacle

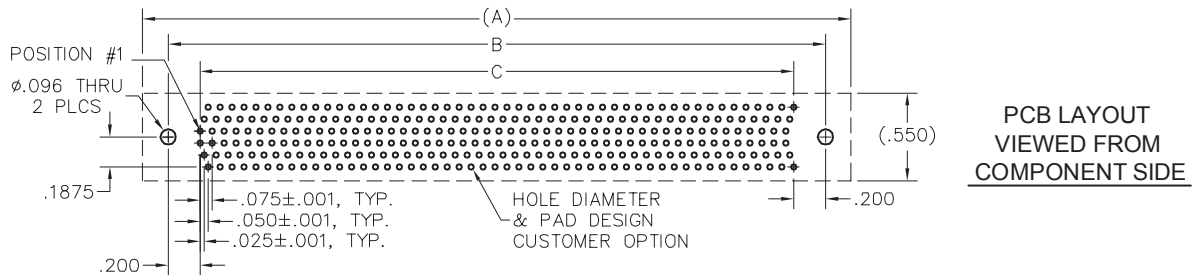
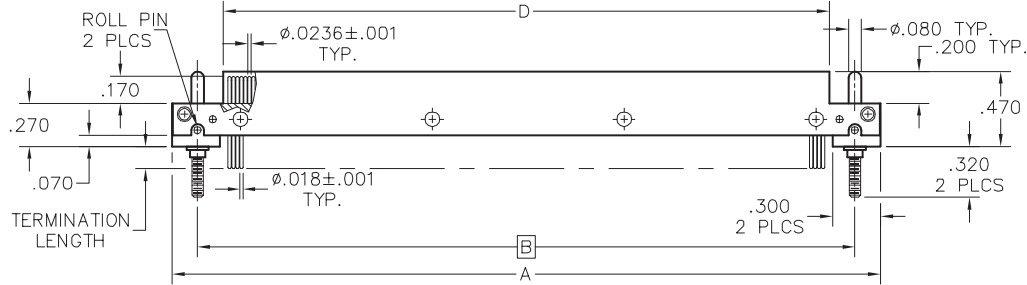
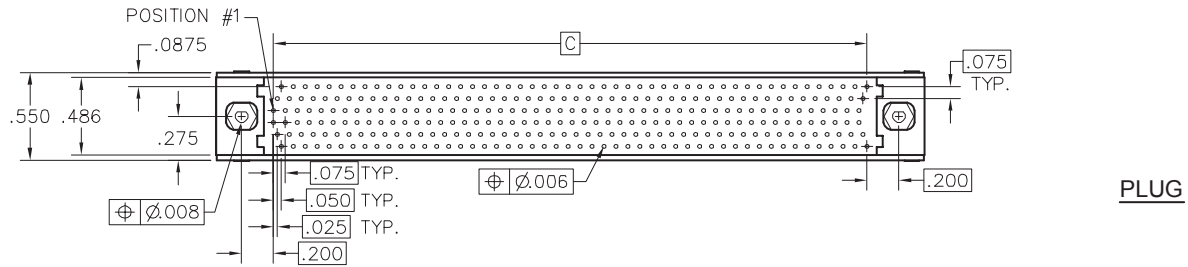
Terminations





RM – Six-Row, Straight, Board-Mount Plug

Plastic ▪ 6-Row ▪ 162-402 Contacts



PIN IDENTIFICATION PATTERN
 VIEWED FROM MATING SIDE
 (EXAMPLE: 300 POSITION CONNECTOR)

DIMENSIONS					
SIZE	A	B	C	D	E
162	2.720	2.400	2.000	2.080	2.100
204	3.245	2.925	2.525	2.605	2.625
252	3.845	3.525	3.125	3.205	3.225
300	4.445	4.125	3.725	3.805	3.825
360	5.195	4.875	4.475	4.550	4.575
402	5.720	5.400	5.000	5.080	5.100

PLEASE CONSULT THE AIRBORN WEBSITE FOR THE LATEST REVISION OF THIS DOCUMENT PRIOR TO BEGINNING ANY DESIGN WORK.



R

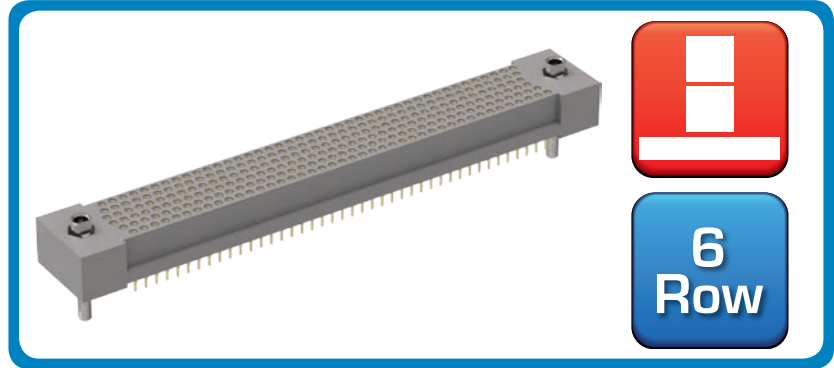
Series

High-Density
 0.075"
 (1.905mm)

RM – Six-Row, Straight, Board-Mount Receptacle

Contact Spacing: 0.075" (1.91 mm)

R-Series products are high-density, plastic connectors commonly used in board-to-board applications. Approved to MIL-55302 standard.



Sample Part Number Format: RM642-252-812-9601

RM	6	4	2	-	-	-	-	-	-
SERIES 0.075" Plastic Rectangular Connector (Receptacle)	ROWS 6 – 6-Row (162-402 contacts)	STYLE 4 – Receptacle, straight without mounting ears	BODY MATERIAL 2 – Polyphenylene sulfide (PPS)	SIZE 162 – 162 contacts 204 – 204 contacts 252 – 252 contacts 300 – 300 contacts 360 – 360 contacts 402 – 402 contacts	PLATING 1 – Gold 2 – Pre-tinned, SnPb alloy ‡ 3 – Pre-tinned, SAC305 alloy	TERMINATION 75 – Plated thru-hole, 0.250" x 0.018" Ø 81 – Plated thru-hole, 0.109" x 0.018" Ø 82 – Plated thru-hole, 0.140" x 0.018" Ø 83 – Plated thru-hole, 0.172" x 0.018" Ø 87 – Press-fit, 0.188" (board 0.093"–0.125" thick) 88 – Press-fit, 0.308" (board 0.156"–0.200" thick)	HARDWARE 0256 – None 84 – Fixed jackset, reversed, #2-56 x 0.320" 91 – Guide sockets, full round, #2-56 x 0.247" 92 – Hex turning jackset, 0.200" 93 – Fixed jackset, #2-56 x 0.247" 94 – Fixed jackset, #2-56 x 0.320" 96 – Guide sockets, polarized, #2-56 x 0.320" ** 9601-9636 – Guide sockets, polarized, #2-56 x 0.320" 97 – Guide sockets, polarized, #2-56 x 0.247" ** 9701-9736 – Guide sockets, polarized, #2-56 x 0.247" 98 – Guide sockets, universal, #2-56 x 0.247"	POLARIZATION 00 – None XX – See page 141 for codes	

Notes:

- ‡ Not RoHS-compliant
- ** This hardware option is packaged unassembled (uninstalled)

PLEASE CONSULT THE AIRBORN WEBSITE FOR THE LATEST REVISION OF THIS DOCUMENT PRIOR TO BEGINNING ANY DESIGN WORK.

Mates with

- RM612 — Six-row, straight plug
- RM652 — Six-row, right-angle plug
- RM612 — Six-row, I/O plug

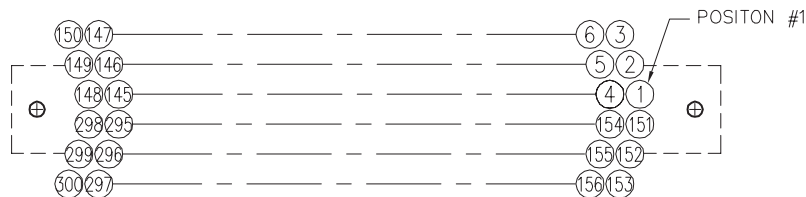
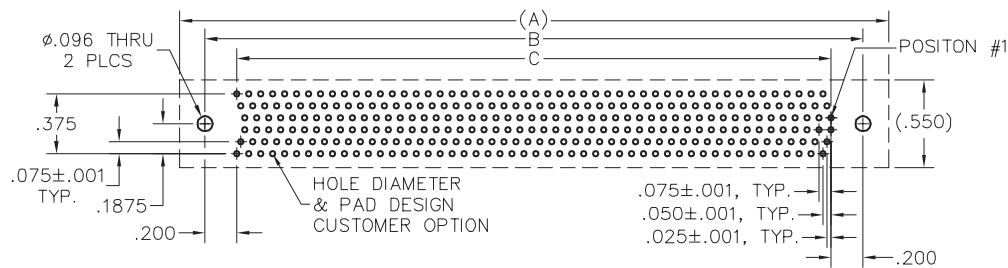
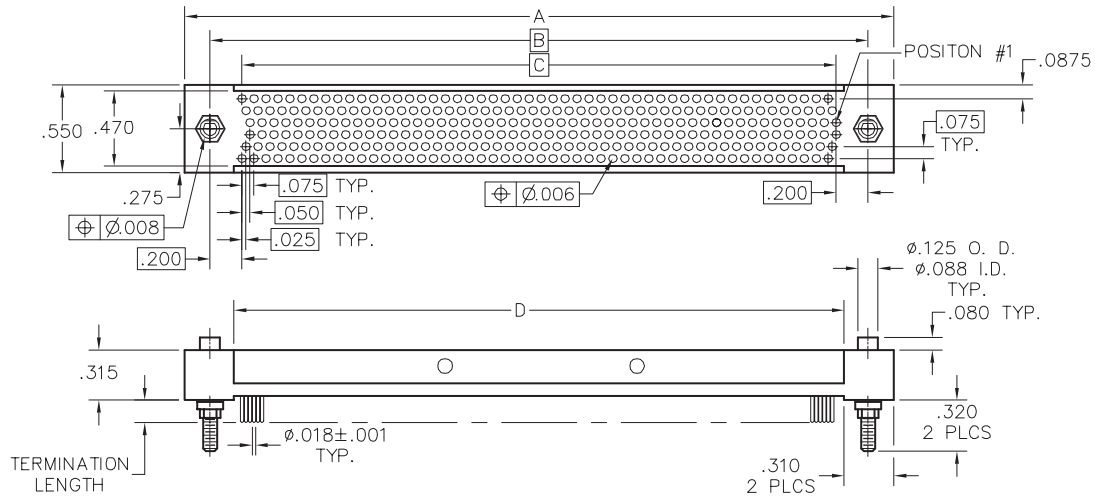
Terminations





RM – Six-Row, Straight, Board-Mount Receptacle

Plastic ▪ 6-Row ▪ 162-402 Contacts



DIMENSIONS				
SIZE	A	B	C	D
162	2.720	2.400	2.000	2.100
204	3.245	2.925	2.525	2.625
252	3.845	3.525	3.125	3.225
300	4.445	4.125	3.725	3.825
360	5.195	4.875	4.475	4.575
402	5.720	5.400	5.000	5.100

PLEASE CONSULT THE AIRBORN WEBSITE FOR THE LATEST REVISION OF THIS DOCUMENT PRIOR TO BEGINNING ANY DESIGN WORK.

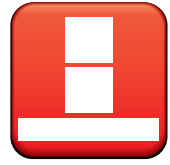
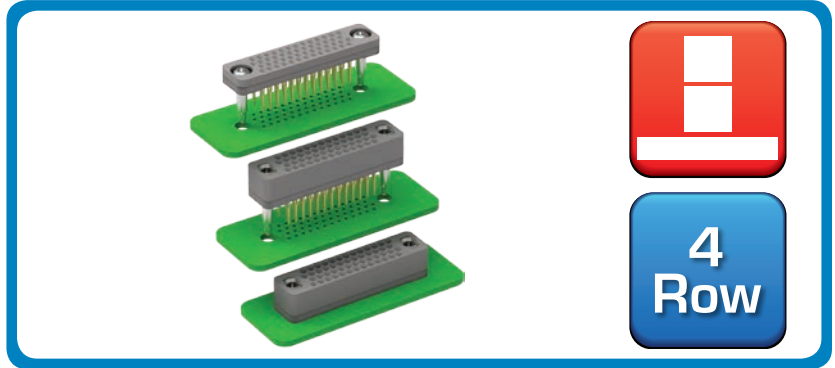


RC Series Stackable 0.075" (1.905mm)

RC4 – Four-Row, Straight, Stackable, Board-Mount Receptacle

Contact Spacing: 0.075" (1.91 mm)

R-Series products are high-density, plastic connectors commonly used in board-to-board applications. Approved to MIL-55302 standard.



Sample Part Number Format: RC422-100-201-3900



SERIES
 0.075" Plastic Press-Fit, Stackable Connector (Receptacle)



BODY STYLE
 422 – 4-row receptacle
 442 – 4-row, low-profile receptacle (requires 3XX Termination)



SIZE
 028 – 28 contacts
 052 – 52 contacts
 076 – 76 contacts
 100 – 100 contacts
 128 – 128 contacts
 152 – 152 contacts
 200 – 200 contacts
 252 – 252 contacts
 300 – 300 contacts



CONTACT
 10 – 0.095" Long
 20 – 0.270" Long
 21 – 0.300" Long
 22 – 0.400" Long
 23 – 0.500" Long
 24 – 0.700" Long
 25 – 0.800" Long
 26 – 0.900" Long
 27 – 0.600" Long
 28 – 1.000" Long
 30 – 0.270" Long
 31 – 0.300" Long
 32 – 0.400" Long
 33 – 0.500" Long
 34 – 0.700" Long
 35 – 0.800" Long
 36 – 0.900" Long
 37 – 0.600" Long
 38 – 1.000" Long

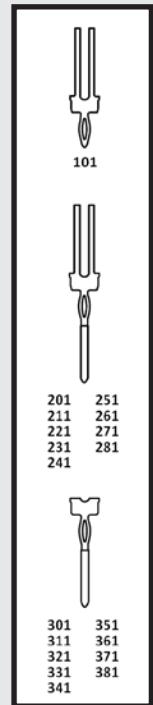


PLATING
 1 – 50 μ" Au



GUIDE HARDWARE
 3000 – Use with Termination 101
 3900 – Use with Termination 201 or 301
 4000 – Use with Termination 211 or 311
 4100 – Use with Termination 221 or 321
 4200 – Use with Termination 231 or 331
 4300 – Use with Termination 241 or 341
 4400 – Use with Termination 251 or 351
 4500 – Use with Termination 261 or 361
 4600 – Use with Termination 271 or 371
 4700 – Use with Termination 281 or 381

FIXED JACKSOCKET
 (to mate with RC cable, only)
 30FT – Use with Termination 101
 39FT – Use with Termination 201 or 301
 40FT – Use with Termination 211 or 311
 41FT – Use with Termination 221 or 321
 42FT – Use with Termination 231 or 331
 43FT – Use with Termination 241 or 341
 44FT – Use with Termination 251 or 351
 45FT – Use with Termination 261 or 361
 46FT – Use with Termination 271 or 371
 47FT – Use with Termination 281 or 381



Notes:

Cap removal tool:
 AirBorn part number CDG10056

Contact removal tool:
 AirBorn part number CDG10057

PLEASE CONSULT THE AIRBORN WEBSITE FOR THE LATEST REVISION OF THIS DOCUMENT PRIOR TO BEGINNING ANY DESIGN WORK.

Mates with

- RC422 — Four-row, press-fit receptacle
- RC4C2 — Four-row, press-fit receptacle
- RC4B2 — Four-row, press-fit receptacle
- RC442 — Four-row, press-fit receptacle

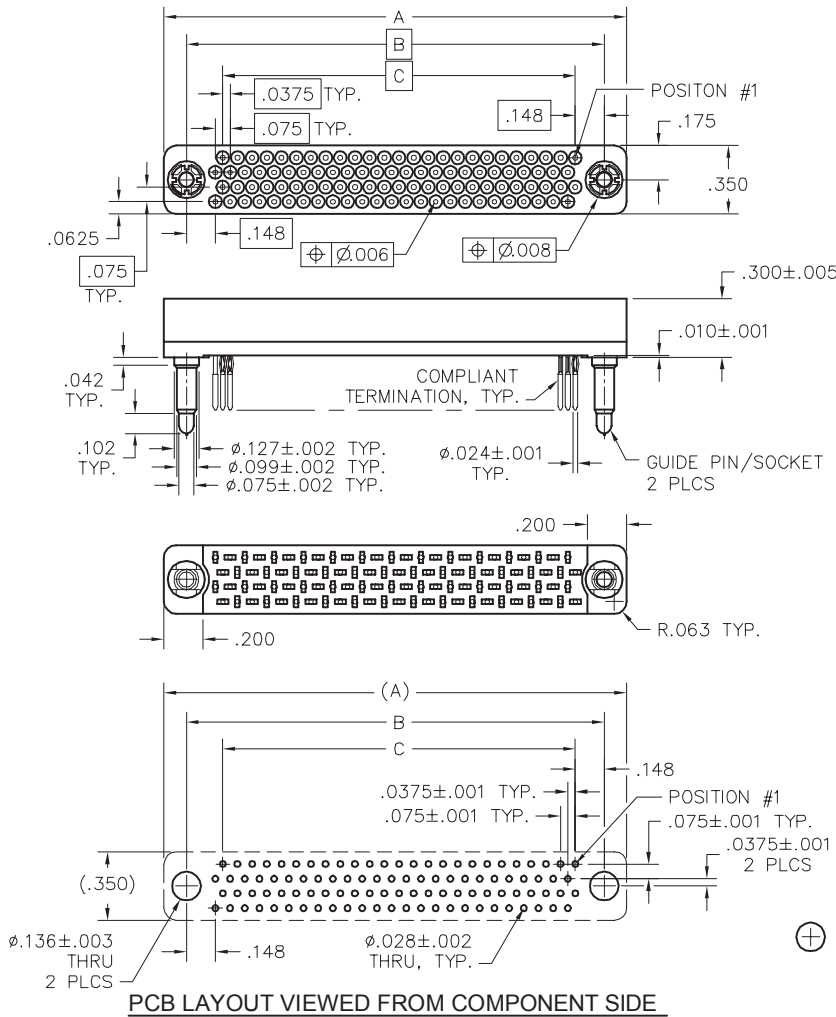
Terminations



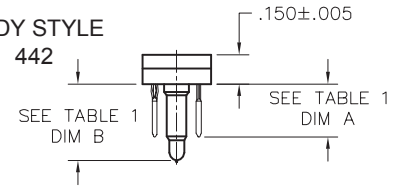


RC4 – Four-Row, Straight, Stackable, Board-Mount Receptacle

Plastic ▪ 4-Row ▪ 28-300 Contacts

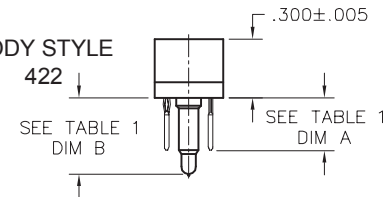


BODY STYLE 422

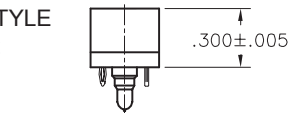


OPTIONAL INSULATOR FOR TOP CONNECTOR TERMINATION
 OPTIONS: 301, 311, 321, 331, 341, 351, 361, 371 AND 381 (W/CIRCUIT TEST POINT)

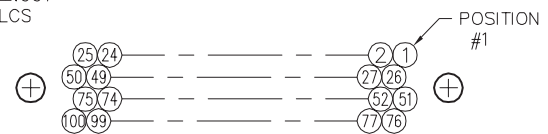
BODY STYLE 422



BODY STYLE 422



CONTACT/HARDWARE OPTION 101 (TERMINATES CIRCUIT)



PIN IDENTIFICATION PATTERN
 VIEWED FROM MATING SIDE
 (EXAMPLE: 100 POSITION CONNECTOR)

DIMENSIONS			
SIZE	A	B	C
28	1.014	.784	.450
52	1.464	1.234	.900
76	1.914	1.684	1.350
100	2.364	2.134	1.800
128	2.889	2.659	2.325
152	3.339	3.109	2.775
200	4.239	4.009	3.675
252	5.214	4.984	4.650
300	6.114	5.884	5.550

CONTACT TERMINATION	TABLE 1	
	CONTACT A	HARDWARE B
201, 301	.270	.370
211, 311	.300	.400
221, 321	.400	.500
231, 331	.500	.600
241, 341	.700	.800
251, 351	.800	.900
261, 361	.900	1.000
271, 371	.600	.700
281, 381	1.000	1.100
101	.095	.195

PLEASE CONSULT THE AIRBORN WEBSITE FOR THE LATEST REVISION OF THIS DOCUMENT PRIOR TO BEGINNING ANY DESIGN WORK.

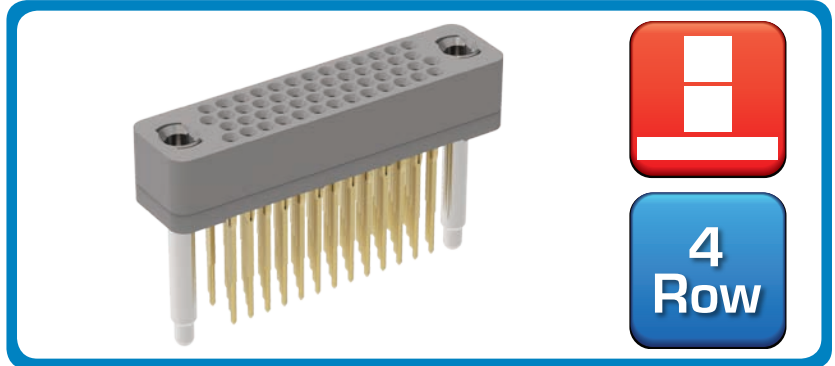


RC Series Stackable 0.075" (1.905mm)

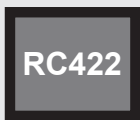
RC422 - Four-Row, Straight, Stackable, Board-Mount Receptacle

Contact Spacing: 0.075" (1.91 mm)

A low profile, high-density press-fit connector. Uses a patented receptacle/compliant/male stacking contact system in board-to-board stacking applications..



Sample Part Number Format: RC422-052-211-4000



SERIES
 Stackable Compliant
 Full-Profile 4 Rows
 0.075" Spacing



CONFIGURATION
 028 – 4 Rows/7 Columns
 052 – 4 Rows/13 Columns
 076 – 4 Rows/19 Columns
 100 – 4 Rows/25 Columns
 128 – 4 Rows/32 Columns
 152 – 4 Rows/38 Columns
 200 – 4 Rows/50 Columns
 252 – 4 Rows/63 Columns
 300 – 4 Rows/75 Columns



CONTACT
 10 – 0.095" Long
 20 – 0.270" Long
 21 – 0.300" Long
 22 – 0.400" Long
 23 – 0.500" Long
 24 – 0.700" Long
 25 – 0.800" Long
 26 – 0.900" Long
 27 – 0.600" Long
 28 – 1.000" Long
 30 – 0.270" Long
 31 – 0.300" Long
 32 – 0.400" Long
 33 – 0.500" Long
 34 – 0.700" Long
 35 – 0.800" Long
 36 – 0.900" Long
 37 – 0.600" Long
 38 – 1.000" Long



PLATING
 1 – 50 μ" Au



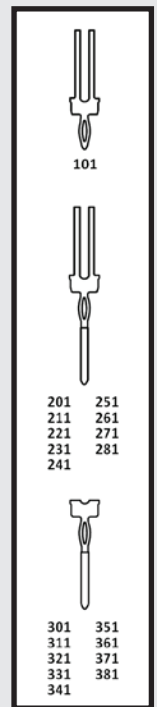
TYPE
 00 – None
 FT – Receptacle thread
 MT – Male thread
 (#39 hardware, only)



VARIATION
 Blank – None
 XXX – Consult factory

HARDWARE

30 – 0.195" Long (use with #10 contact)
 39 – 0.370" Long (use with #20 contact)
 40 – 0.400" Long (use with #21 contact)
 41 – 0.500" Long (use with #22 contact)
 42 – 0.600" Long (use with #23 contact)
 43 – 0.800" Long (use with #24 contact)
 44 – 0.900" Long (use with #25 contact)
 45 – 1.000" Long (use with #26 contact)
 46 – 0.700" Long (use with #27 contact)
 47 – 1.100" Long (use with #28 contact)



Notes:

Mated Height: The connector body height is 0.300" and, when used with the -20 or -30 (0.270") contact, the mounting is flush (board-bottom-mounted to connector top). This board-bottom to connector-top spacing can be modified based on the contact selected by approximately the difference in pin length (see opposite page).

See page 146 for application notes.

PLEASE CONSULT THE AIRBORN WEBSITE FOR THE LATEST REVISION OF THIS DOCUMENT PRIOR TO BEGINNING ANY DESIGN WORK.

Mates with

- RC4C2 — Four-row, top-of-stack plug
- RC422 — Four-row, straight receptacle
- RC4B2 — Four-row, stackable receptacle

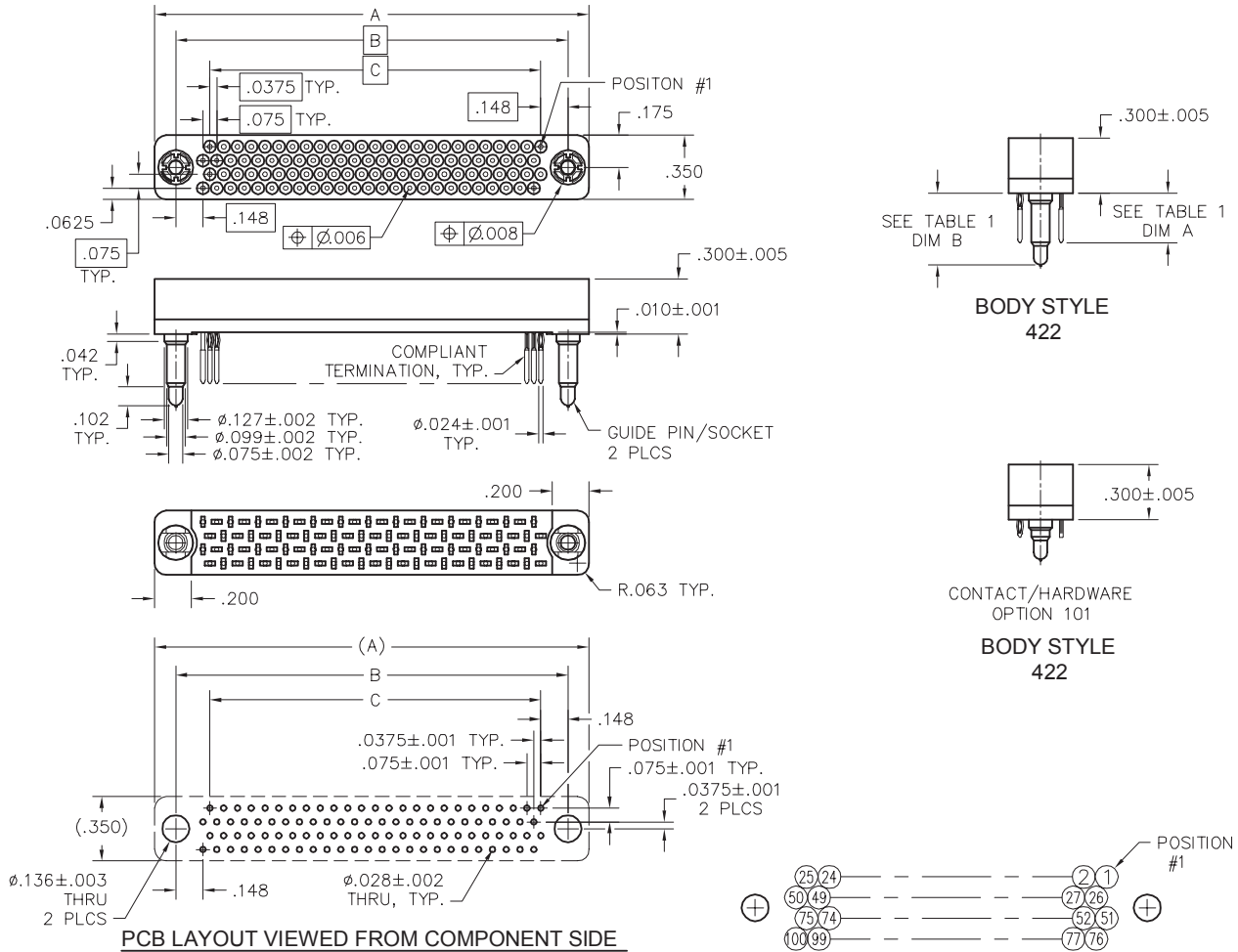
Terminations





RC422 - Four-Row, Straight, Stackable, Board-Mount Receptacle

Plastic ▪ 4-Row ▪ 28-300 Contacts



PCB LAYOUT VIEWED FROM COMPONENT SIDE

PIN IDENTIFICATION PATTERN
 VIEWED FROM MATING FACE
 (EXAMPLE: 100 POSITION CONNECTOR)

CONTACT TERMINATION	CONTACT	HARDWARE
	A	B
201, 301	.270	.370
211, 311	.300	.400
221, 321	.400	.500
231, 331	.500	.600
241, 341	.700	.800
251, 351	.800	.900
261, 361	.900	1.000
271, 371	.600	.700
281, 381	1.000	1.100
101	.095	.195

SIZE	A	B	C
28	1.014	.784	.450
52	1.464	1.234	.900
76	1.914	1.684	1.350
100	2.364	2.134	1.800
128	2.889	2.659	2.325
152	3.339	3.109	2.775
200	4.239	4.009	3.675
252	5.214	4.984	4.650
300	6.114	5.884	5.550

PLEASE CONSULT THE AIRBORN WEBSITE FOR THE LATEST REVISION OF THIS DOCUMENT PRIOR TO BEGINNING ANY DESIGN WORK.



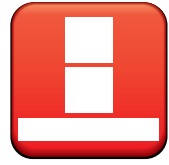
RC Series

Stackable
 0.075"
 (1.905mm)

RC442 - Four-Row, Straight, Stackable, Board-Mount Receptacle

Contact Spacing: 0.075" (1.91 mm)

A low profile, high-density press-fit connector. Uses a patented receptacle/compliant/male stacking contact system in board-to-board stacking applications.



Sample Part Number Format: RC442-052-311-4000

RC442	—	□	—	□	—	1	—	□	—	00	—	□
SERIES Stackable Compliant Low-Profile 4 Rows 0.075" Spacing		CONFIGURATION 028 – 4 Rows/7 Columns 052 – 4 Rows/13 Columns 076 – 4 Rows/19 Columns 100 – 4 Rows/25 Columns 128 – 4 Rows/32 Columns 152 – 4 Rows/38 Columns 200 – 4 Rows/50 Columns 252 – 4 Rows/63 Columns 300 – 4 Rows/75 Columns		CONTACT 30 – 0.270" Long 31 – 0.300" Long 32 – 0.400" Long 33 – 0.500" Long 34 – 0.700" Long 35 – 0.800" Long 36 – 0.900" Long 37 – 0.600" Long 38 – 1.000" Long		PLATING 1 – 50 μ" Au		HARDWARE 39 – 0.370" Long (use with #30 contact) 40 – 0.400" Long (use with #31 contact) 41 – 0.500" Long (use with #32 contact) 42 – 0.600" Long (use with #33 contact) 43 – 0.800" Long (use with #34 contact) 44 – 0.900" Long (use with #35 contact) 45 – 1.000" Long (use with #36 contact) 46 – 0.700" Long (use with #37 contact) 47 – 1.100" Long (use with #38 contact)		TYPE 00 – None		VARIATION Blank – None XXX – Consult factory

Notes:

Mated Height: The connector body height is 0.150" but the functional spacing (the bottom surface of the board, on which the connector is mounted, to the top of the connector below it) can be modified based on the contact/pin length selected (see opposite page).

PLEASE CONSULT THE AIRBORN WEBSITE FOR THE LATEST REVISION OF THIS DOCUMENT PRIOR TO BEGINNING ANY DESIGN WORK.

Mates with

- RC422 — Four-row, straight receptacle
- RC4B2 — Four-row, stackable receptacle

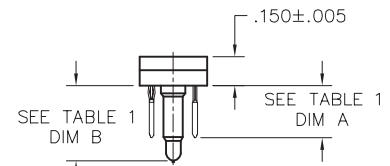
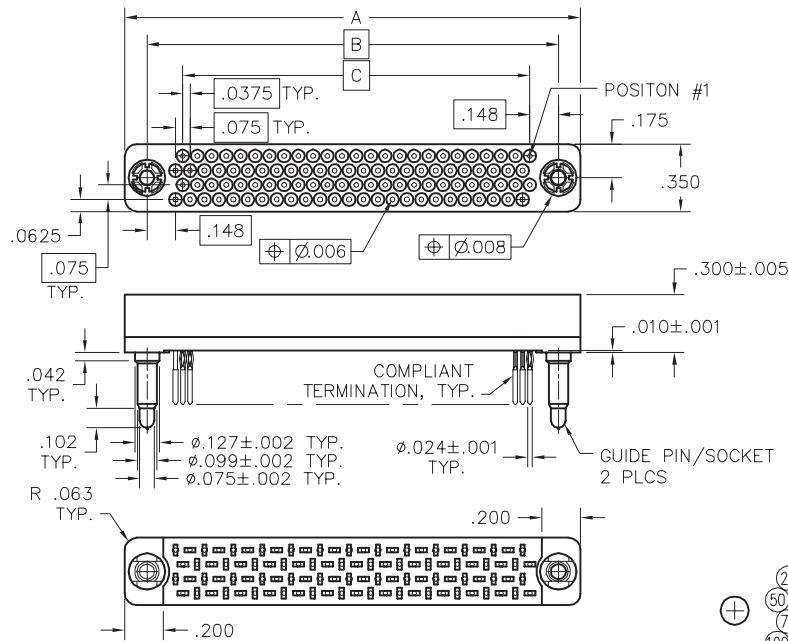
Terminations



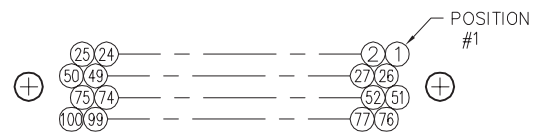


RC442 - Four-Row, Straight, Stackable, Board-Mount Receptacle

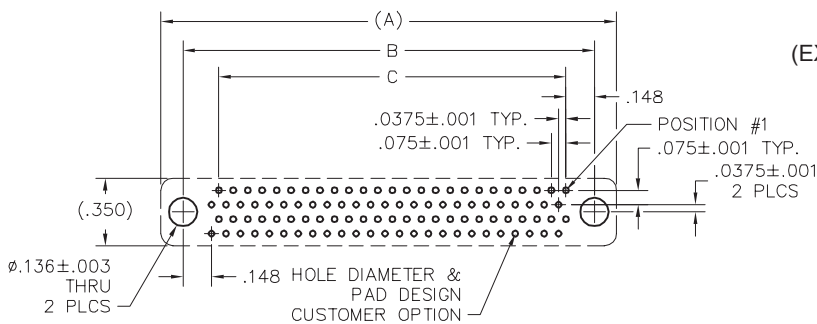
Plastic ▪ 4-Row ▪ 28-300 Contacts



BODY STYLE 442



PIN IDENTIFICATION PATTERN
 VIEWED FROM MATING SIDE
 (EXAMPLE: 100 POSITION CONNECTOR)

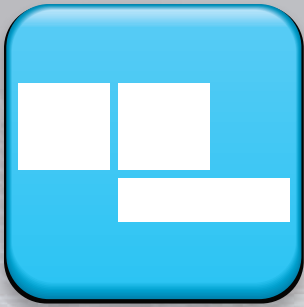


PCB LAYOUT VIEWED FROM COMPONENT SIDE

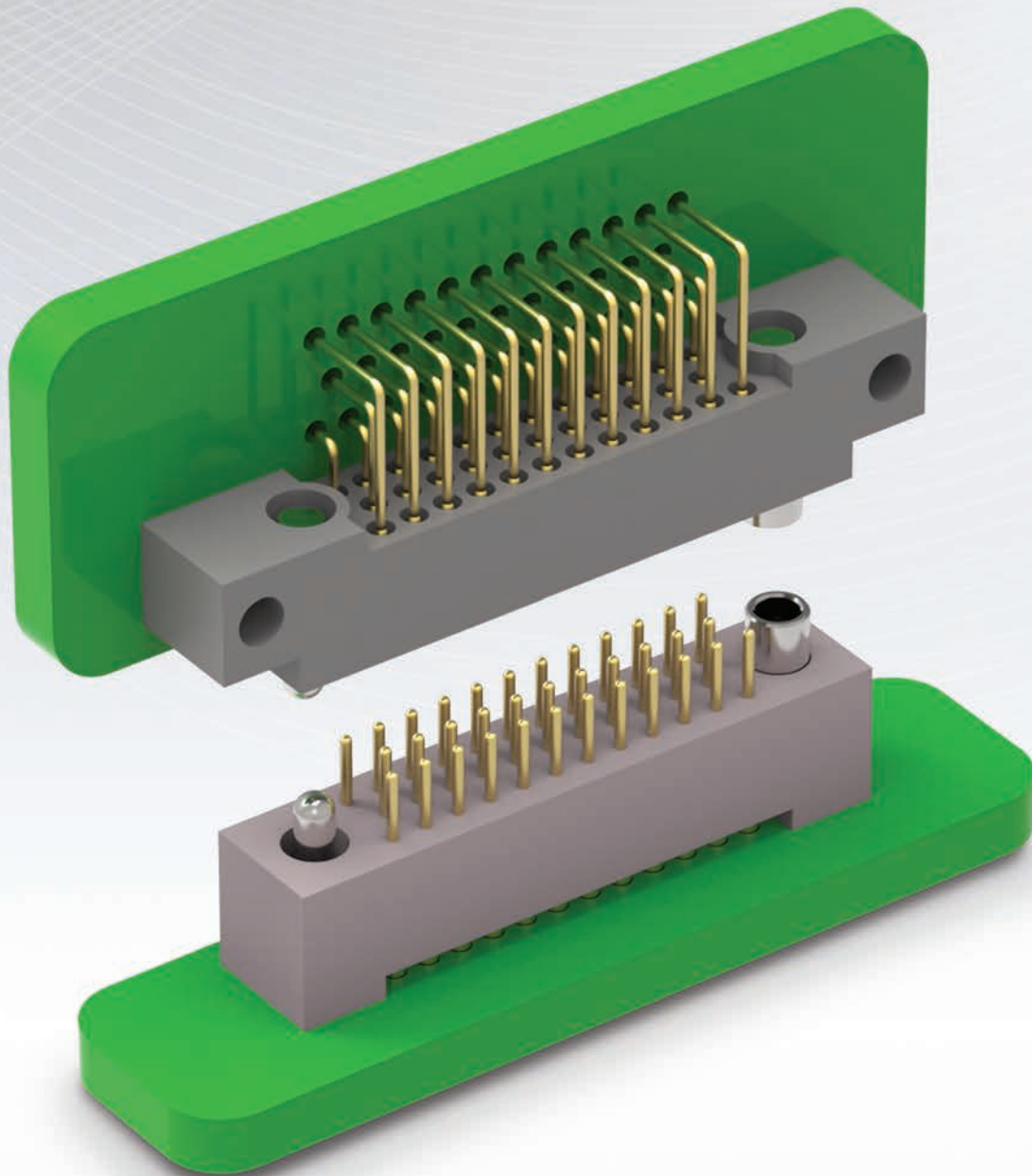
DIMENSIONS			
SIZE	A	B	C
28	1.014	.784	.450
52	1.464	1.234	.900
76	1.914	1.684	1.350
100	2.364	2.134	1.800
128	2.889	2.659	2.325
152	3.339	3.109	2.775
200	4.239	4.009	3.675
252	5.214	4.984	4.650
300	6.114	5.884	5.550

TABLE 1		
CONTACT TERMINATION	CONTACT	HARDWARE
	A	B
301	.270	.370
311	.300	.400
321	.400	.500
331	.500	.600
341	.700	.800
351	.800	.900
361	.900	1.000
371	.600	.700
381	1.000	1.100

PLEASE CONSULT THE AIRBORN WEBSITE FOR THE LATEST REVISION OF THIS DOCUMENT PRIOR TO BEGINNING ANY DESIGN WORK.

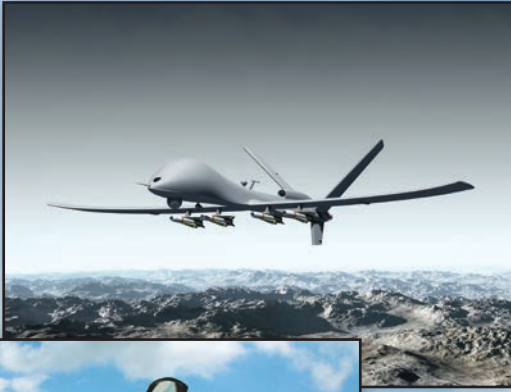


Board-Mount, Right-Angle Connectors



R-Series Connectors

0.075" (1.905 mm)



When designing around tight turns & maximizing limited board space in both axis is essential, such as with aviation applications, count on right-angle connectors to fit your design needs.

- 2, 3, 4 & 6-row options
- 10-604 contacts
- Available with or without mounting ears
- Plated thru-hole termination
- Threaded vertical posts in mounting holes
- Utilized with traditional FR-4 & rigid flexible circuits

Now you're **AirBorn Connected**[®]

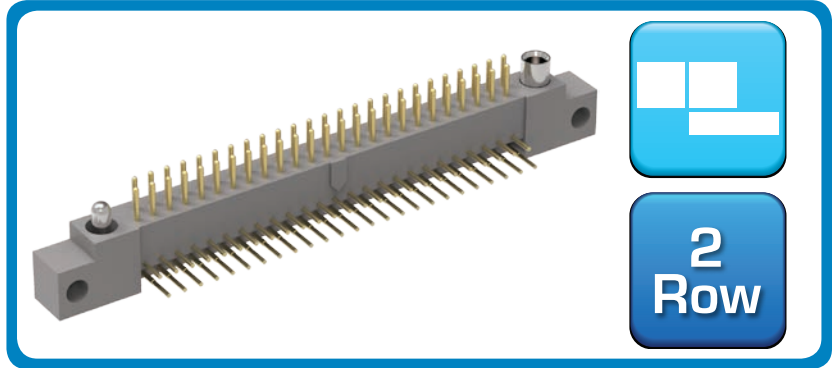


R Series High-Density 0.075" (1.905mm)

RM – Two-Row, Right-Angle, Board-Mount Plug

Contact Spacing: 0.075" (1.91 mm)

R-Series products are high-density, plastic connectors commonly used in board-to-board applications. Approved to MIL-55302 standard.



RIGHT ANGLE

Sample Part Number Format: RM252-100-312-5500



SERIES	ROWS	STYLE	BODY MATERIAL	SIZE	PLATING	TERMINATION	HARDWARE	POLARIZATION	OPTIONS
0.075" Plastic Rectangular Connector (Plug)	2 – 2-Row (10-100 contacts)	5 – Plug, right-angle with mounting ears 7 – Plug, right-angle without mounting ears	2 – Polyphenylene sulfide (PPS)	010 – 10 contacts 020 – 20 contacts 030 – 30 contacts 040 – 40 contacts 050 – 50 contacts 060 – 60 contacts 070 – 70 contacts 080 – 80 contacts 090 – 90 contacts 100 – 100 contacts	1 – Gold 2 – Pre-tinned, SnPb alloy ‡ 3 – Pre-tinned, SAC305 alloy	31 – Plated thru-hole, 0.109" x 0.020" Ø 32 – Plated thru-hole, 0.140" x 0.020" Ø 33 – Plated thru-hole, 0.172" x 0.020" Ø 34 – Plated thru-hole, 0.109" x 0.016" Ø 35 – Plated thru-hole, 0.140" x 0.016" Ø 36 – Plated thru-hole, 0.172" x 0.016" Ø 37 – Plated thru-hole, 0.250" x 0.020" Ø	0256 – None 55 – Guide set 57 – Two guide pins 58 – Two guide sockets 29 – Fixed jackset 30 – Fixed jackset, reversed 19 – Two fixed jackscrews 20 – Two fixed jacksockets 59 – Hex turning jackset, 0.200" 60 – Hex turning jackset reversed, 0.200" 61 – Two hex turning jackscrews, 0.200" 62 – Two hex turning jacksockets, 0.200" 64 – Turning jackset, 0.490"	00 – None XX – See page 140 for codes 70 – Same as above, but without Loctite® (customer-keyed)	BN – Bond #1-72, small pattern hex nuts into mounting ears

Notes:

‡ Not RoHS-compliant

PLEASE CONSULT THE AIRBORN WEBSITE FOR THE LATEST REVISION OF THIS DOCUMENT PRIOR TO BEGINNING ANY DESIGN WORK.

Mates with

- RM222 & RM242 — Two-row, straight receptacle
- RM262 & RM282 — Two-row, right-angle receptacle
- RM222 — Two-row, I/O receptacle

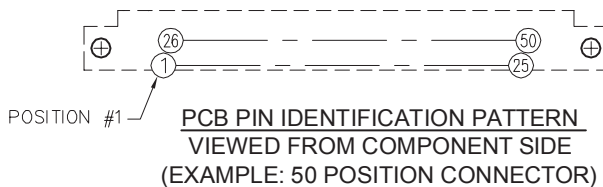
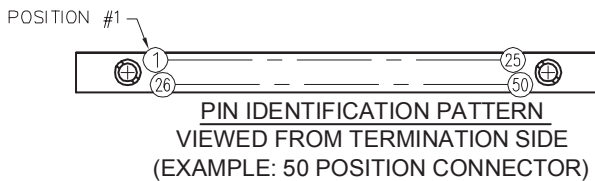
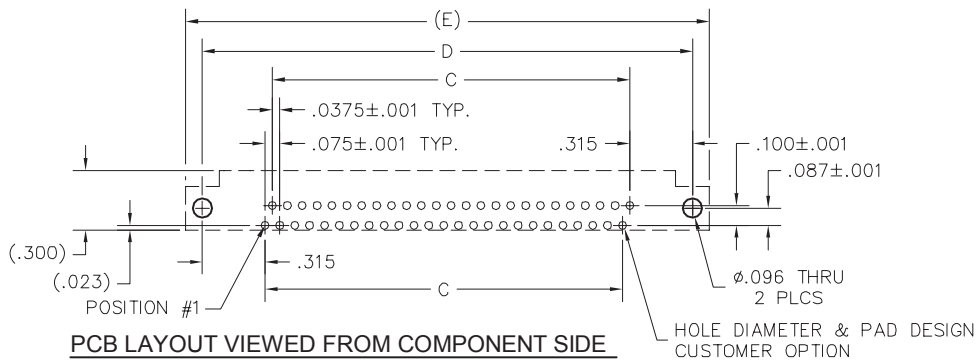
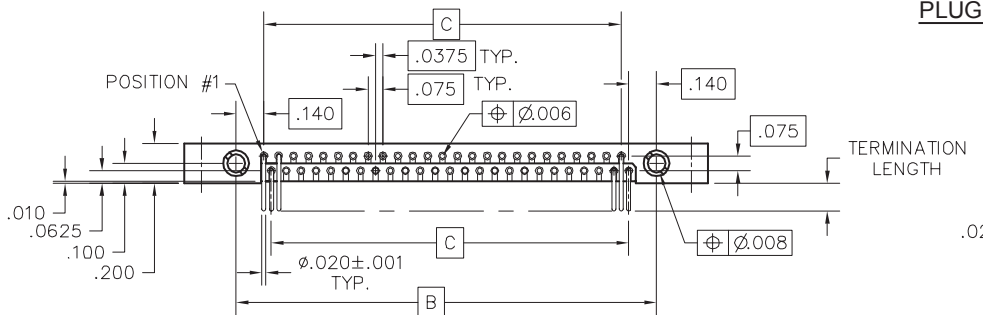
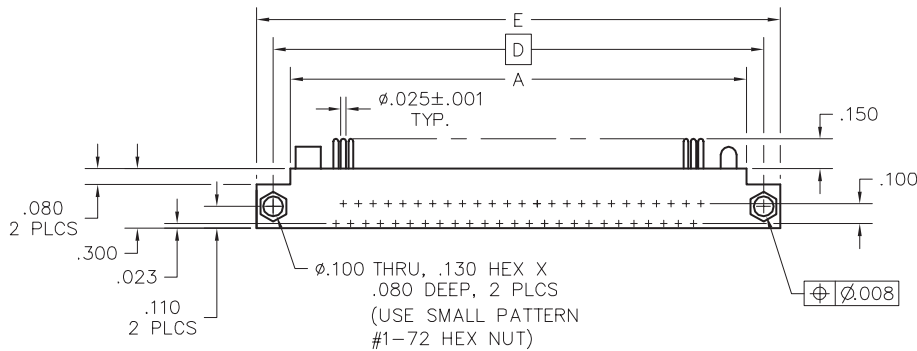
Terminations





RM – Two-Row, Right-Angle, Board-Mount Plug

Plastic ▪ 2-Row ▪ 10-100 Contacts



DIMENSIONS					
SIZE	A	B	C	D	E
10	.797	.617	.300	.967	1.137
20	1.172	.992	.675	1.342	1.512
30	1.547	1.367	1.050	1.717	1.887
40	1.922	1.742	1.425	2.092	2.262
50	2.297	2.117	1.800	2.467	2.637
60	2.672	2.492	2.175	2.842	3.012
70	3.047	2.867	2.550	3.217	3.387
80	3.422	3.242	2.925	3.592	3.762
90	3.797	3.617	3.300	3.967	4.137
100	4.172	3.992	3.675	4.342	4.512

PLEASE CONSULT THE AIRBORN WEBSITE FOR THE LATEST REVISION OF THIS DOCUMENT PRIOR TO BEGINNING ANY DESIGN WORK.

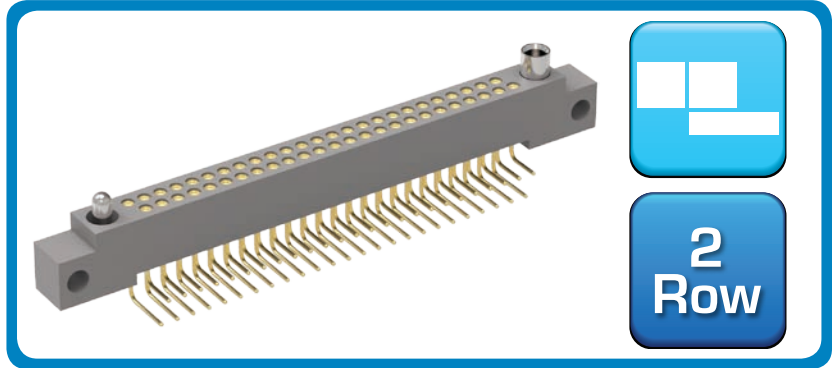


R Series High-Density 0.075" (1.905mm)

RM – Two-Row, Right-Angle, Board-Mount Receptacle

Contact Spacing: 0.075" (1.91 mm)

R-Series products are high-density, plastic connectors commonly used in board-to-board applications. Approved to MIL-55302 standard.



RIGHT ANGLE

Sample Part Number Format: RM262-020-442-5500-076



SERIES	ROWS	STYLE	BODY MATERIAL	SIZE	PLATING	TERMINATION	HARDWARE	POLARIZATION	OPTIONS
0.075" Plastic Rectangular Connector (Receptacle)	2 – 2-Row (10-100 contacts)	6 – Receptacle, right-angle with mounting ears 8 – Receptacle, right-angle without mounting ears	2 – Polyphenylene sulfide (PPS)	010 – 10 contacts 020 – 20 contacts 030 – 30 contacts 040 – 40 contacts 050 – 50 contacts 060 – 60 contacts 070 – 70 contacts 080 – 80 contacts 090 – 90 contacts 100 – 100 contacts	1 – Gold 2 – Pre-tinned, SnPb alloy ‡ 3 – Pre-tinned, SAC305 alloy	44 – Plated thru-hole, 0.109" x 0.020" Ø 45 – Plated thru-hole, 0.140" x 0.020" Ø 46 – Plated thru-hole, 0.172" x 0.020" Ø 47 – Plated thru-hole, 0.250" x 0.020" Ø	0256 – None 55 – Guide set 57 – Two guide pins 58 – Two guide sockets 29 – Fixed jackset 30 – Fixed jackset, reversed 19 – Two fixed jackscrews 20 – Two fixed jackscrews 59 – Hex turning jackset, 0.200" 60 – Hex turning jackset reversed, 0.200" 61 – Two hex turning jackscrews, 0.200" 62 – Two hex turning jackscrews, 0.200" 64 – Turning jackset, 0.490"	00 – None XX – See page 140 for codes 70 – Same as above, but without Loctite® (customer-keyed)	076 – PWB mounting holes, 0.100" Ø (cross-drilled)

Notes:

‡ Not RoHS-compliant

PLEASE CONSULT THE AIRBORN WEBSITE FOR THE LATEST REVISION OF THIS DOCUMENT PRIOR TO BEGINNING ANY DESIGN WORK.

Mates with

- RM212 & RM232 — Two-row, straight plug
- RM252 & RM272 — Two-row, right-angle plug
- RA2 — Two-row, I/O plug

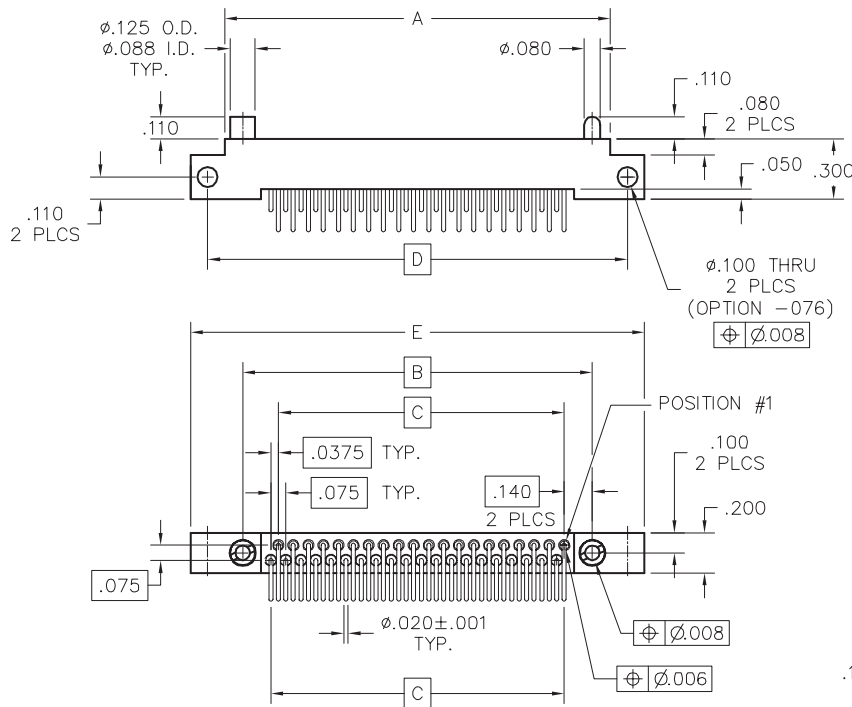
Terminations



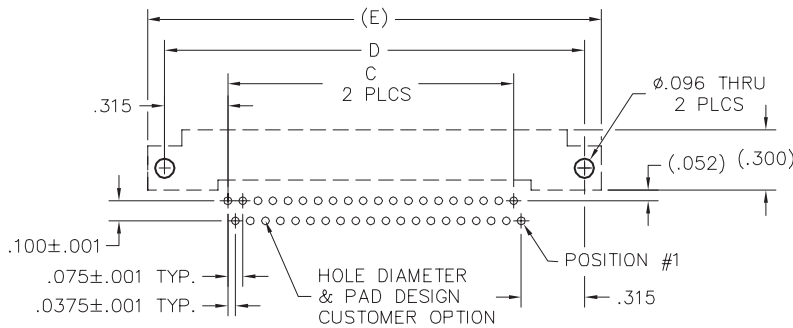
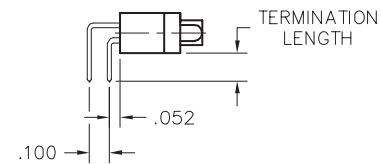


RM – Two-Row, Right-Angle, Board-Mount Receptacle

Plastic ▪ 2-Row ▪ 10-100 Contacts



RECEPTACLE

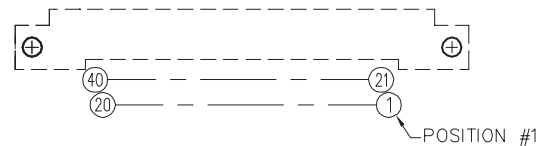


PCB LAYOUT VIEWED FROM COMPONENT SIDE

DIMENSIONS					
SIZE	A	B	C	D	E
10	.797	.617	.300	.967	1.137
20	1.172	.992	.675	1.342	1.512
30	1.547	1.367	1.050	1.717	1.887
40	1.922	1.742	1.425	2.092	2.262
50	2.297	2.117	1.800	2.467	2.637
60	2.672	2.492	2.175	2.842	3.012
70	3.047	2.867	2.550	3.217	3.387
80	3.422	3.242	2.925	3.592	3.762
90	3.797	3.617	3.300	3.967	4.137
100	4.172	3.992	3.675	4.342	4.512



PIN IDENTIFICATION PATTERN VIEWED FROM TERMINATION SIDE (EXAMPLE: 40 POSITION CONNECTOR)



PCB PIN IDENTIFICATION PATTERN VIEWED FROM COMPONENT SIDE (EXAMPLE: 40 POSITION CONNECTOR)

PLEASE CONSULT THE AIRBORN WEBSITE FOR THE LATEST REVISION OF THIS DOCUMENT PRIOR TO BEGINNING ANY DESIGN WORK.

RIGHT ANGLE

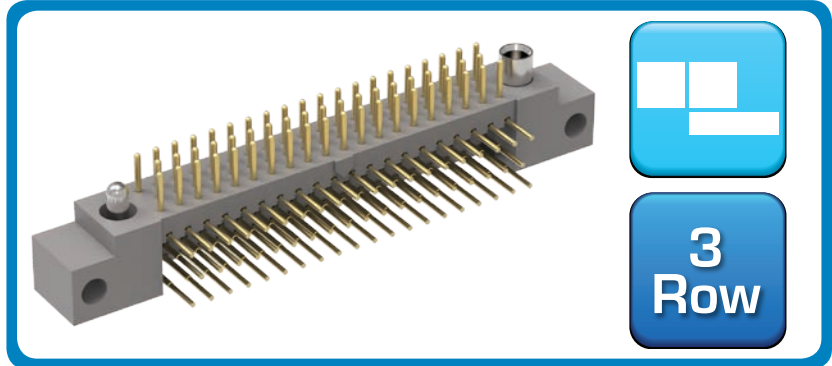


R Series High-Density 0.075" (1.905mm)

RM – Three-Row, Right-Angle, Board-Mount Plug

Contact Spacing: 0.075" (1.91 mm)

R-Series products are high-density, plastic connectors commonly used in board-to-board applications. Approved to MIL-55302 standard.



RIGHT ANGLE

Sample Part Number Format: RM352-152-321-5500



SERIES	ROWS	STYLE	BODY MATERIAL	SIZE	PLATING	TERMINATION	HARDWARE	POLARIZATION	OPTIONS
0.075" Plastic Rectangular Connector (Plug)	3 – 3-Row (11-206 contacts)	5 – Plug, right-angle with mounting ears 7 – Plug, right-angle without mounting ears	2 – Polyphenylene sulfide (PPS)	011 – 11 contacts 023 – 23 contacts 035 – 35 contacts 047 – 47 contacts 059 – 59 contacts 071 – 71 contacts 080 – 80 contacts 092 – 92 contacts 104 – 104 contacts 122 – 122 contacts 140 – 140 contacts 152 – 152 contacts 182 – 182 contacts 206 – 206 contacts	1 – Gold 2 – Pre-tinned, SnPb alloy ‡ 3 – Pre-tinned, SAC305 alloy	31 – Plated thru-hole, 0.109" x 0.020" Ø 32 – Plated thru-hole, 0.140" x 0.020" Ø 33 – Plated thru-hole, 0.172" x 0.020" Ø 34 – Plated thru-hole, 0.109" x 0.016" Ø 35 – Plated thru-hole, 0.140" x 0.016" Ø 36 – Plated thru-hole, 0.172" x 0.016" Ø 37 – Plated thru-hole, 0.250" x 0.020" Ø	0256 – None 55 – Guide set 57 – Two guide pins 58 – Two guide sockets 29 – Fixed jackset 30 – Fixed jackset, reversed 19 – Two fixed jackscrews 20 – Two fixed jackscrews 59 – Hex turning jackset, 0.200" 60 – Hex turning jackset reversed, 0.200" 61 – Two hex turning jackscrews, 0.200" 62 – Two hex turning jackscrews, 0.200" 64 – Turning jackset, 0.490"	00 – None XX – See page 140 for codes 70 – Same as above, but without Loctite® (customer-keyed)	BN – Bond #1-72, small pattern hex nuts into mounting ears

Notes:

‡ Not RoHS-compliant

PLEASE CONSULT THE AIRBORN WEBSITE FOR THE LATEST REVISION OF THIS DOCUMENT PRIOR TO BEGINNING ANY DESIGN WORK.

Mates with

- RM322 & RM342 — Three-row, straight receptacle
- RM362 & RM382 — Three-row, right-angle receptacle
- RA3 — Three-row, I/O receptacle

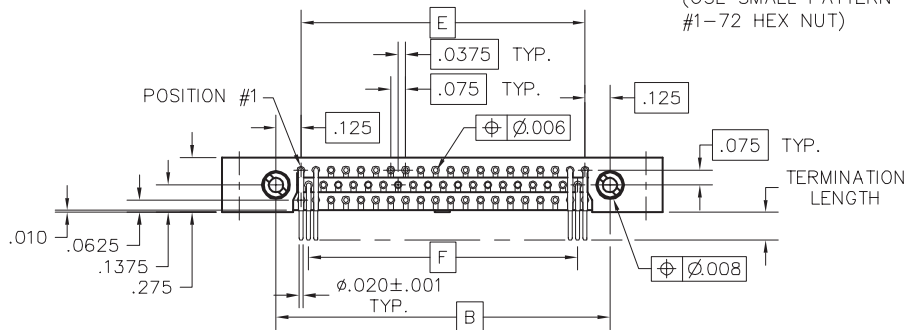
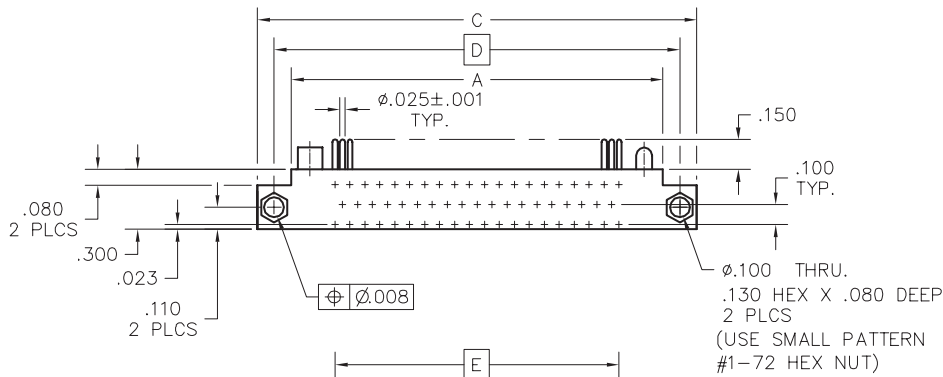
Terminations



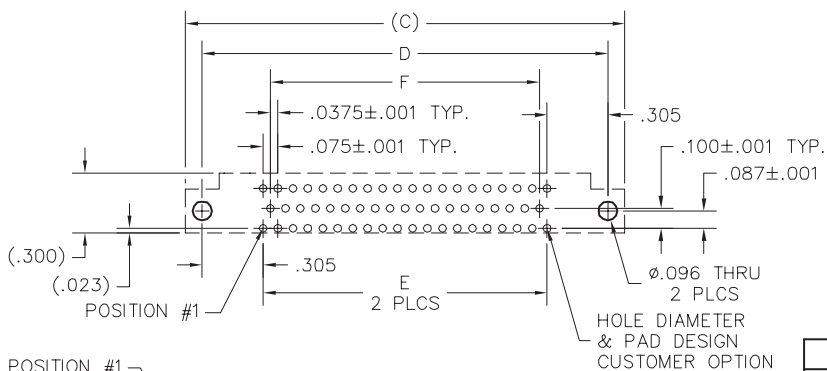
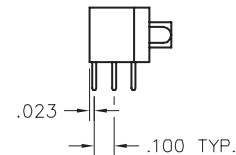


RM – Three-Row, Right-Angle, Board-Mount Plug

Plastic ▪ 3-Row ▪ 11-206 Contacts



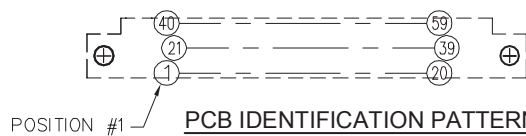
PLUG



PCB LAYOUT VIEWED FROM COMPONENT SIDE



**PIN IDENTIFICATION PATTERN
 VIEWED FROM TERMINATION SIDE
 (EXAMPLE: 59 POSITION CONNECTOR)**



**PCB IDENTIFICATION PATTERN
 VIEWED FROM TERMINATION SIDE
 (EXAMPLE: 59 POSITION CONNECTOR)**

SIZE	DIMENSIONS					
	A	B	C	D	E	F
11	.665	.475	1.005	.835	.225	.150
23	.965	.775	1.305	1.135	.525	.450
35	1.265	1.075	1.605	1.435	.825	.750
47	1.565	1.375	1.905	1.735	1.125	1.050
59	1.865	1.675	2.205	2.035	1.425	1.350
71	2.165	1.975	2.505	2.335	1.725	1.650
80	2.390	2.200	2.730	2.560	1.950	1.875
92	2.690	2.500	3.030	2.860	2.250	2.175
104	2.990	2.800	3.330	3.160	2.550	2.475
122	3.440	3.250	3.780	3.610	3.000	2.925
140	3.890	3.700	4.230	4.060	3.450	3.375
152	4.190	4.000	4.530	4.360	3.750	3.675
182	4.940	4.750	5.280	5.110	4.500	4.425
206	5.540	5.350	5.880	5.710	5.100	5.025

PLEASE CONSULT THE AIRBORN WEBSITE FOR THE LATEST REVISION OF THIS DOCUMENT PRIOR TO BEGINNING ANY DESIGN WORK.

RIGHT ANGLE



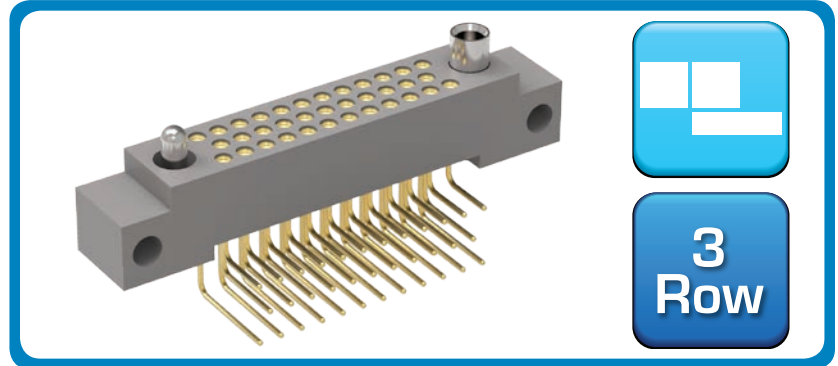
R Series

High-Density
0.075"
(1.905mm)

RM – Three-Row, Right-Angle, Board-Mount Receptacle

Contact Spacing: 0.075" (1.91 mm)

R-Series products are high-density, plastic connectors commonly used in board-to-board applications. Approved to MIL-55302 standard.



RIGHT ANGLE

Sample Part Number Format: RM362-035-441-5500-076



SERIES	ROWS	STYLE	BODY MATERIAL	SIZE	PLATING	TERMINATION	HARDWARE	POLARIZATION	OPTIONS
0.075" Plastic Rectangular Connector (Receptacle)	3 – 3-Row (10-100 contacts)	6 – Receptacle, right-angle with mounting ears 8 – Receptacle, right-angle without mounting ears	2 – Polyphenylene sulfide (PPS)	011 – 11 contacts 023 – 23 contacts 035 – 35 contacts 047 – 47 contacts 059 – 59 contacts 071 – 71 contacts 080 – 80 contacts 092 – 92 contacts 104 – 104 contacts 122 – 122 contacts 140 – 140 contacts 152 – 152 contacts 182 – 182 contacts 206 – 206 contacts	1 – Gold 2 – Pre-tinned, SnPb alloy ‡ 3 – Pre-tinned, SAC305 alloy	44 – Plated thru-hole, 0.109" x 0.020" Ø 45 – Plated thru-hole, 0.140" x 0.020" Ø 46 – Plated thru-hole, 0.172" x 0.020" Ø 47 – Plated thru-hole, 0.250" x 0.020" Ø	0256 – None 55 – Guide set 57 – Two guide pins 58 – Two guide sockets 29 – Fixed jackset 30 – Fixed jackset, reversed 19 – Two fixed jackscrews 20 – Two fixed jackscrews 59 – Hex turning jackset, 0.200" 60 – Hex turning jackset reversed, 0.200" 61 – Two hex turning jackscrews, 0.200" 62 – Two hex turning jackscrews, 0.200" 64 – Turning jackset, 0.490"	00 – None XX – See page 140 for codes 70 – Same as above, but without Loctite® (customer-keyed)	076 – PWB mounting holes, 0.100" Ø (cross-drilled)

Notes:

‡ Not RoHS-compliant

PLEASE CONSULT THE AIRBORN WEBSITE FOR THE LATEST REVISION OF THIS DOCUMENT PRIOR TO BEGINNING ANY DESIGN WORK.

Mates with

- RM312 & RM332 — Three-row, straight plug
- RM352 & RM372 — Three-row, right-angle plug
- RA3 — Three-row, I/O plug

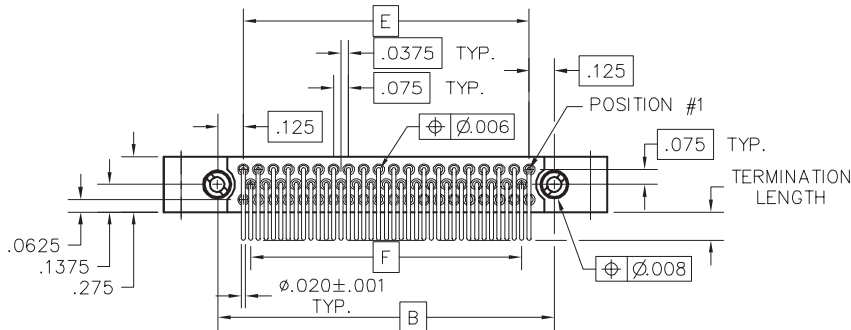
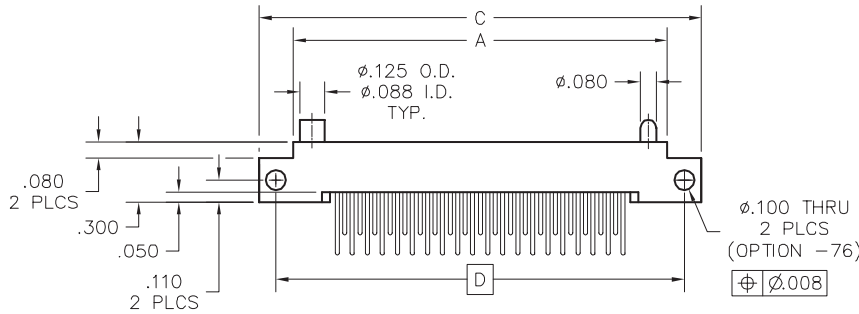
Terminations



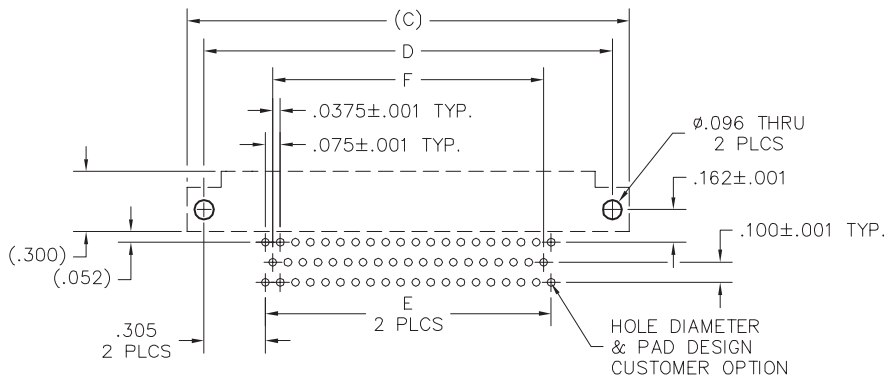
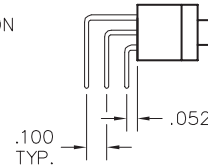


RM – Three-Row, Right-Angle, Board-Mount Receptacle

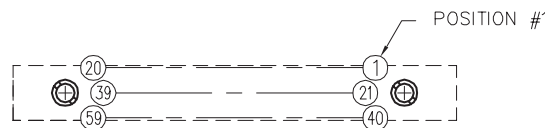
Plastic ▪ 3-Row ▪ 11-206 Contacts



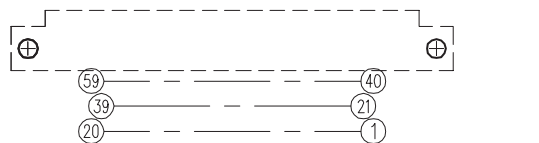
RECEPTACLE



PCB LAYOUT VIEWED FROM COMPONENT SIDE



PIN IDENTIFICATION PATTERN VIEWED FROM TERMINATION SIDE



PCB PIN IDENTIFICATION PATTERN VIEWED FROM COMPONENT SIDE (EXAMPLE: 59 POSITION CONNECTOR)

DIMENSIONS						
SIZE	A	B	C	D	E	F
11	.665	.475	1.005	.835	.225	.150
23	.965	.775	1.305	1.135	.525	.450
35	1.265	1.075	1.605	1.435	.825	.750
47	1.565	1.375	1.905	1.735	1.125	1.050
59	1.865	1.675	2.205	2.035	1.425	1.350
71	2.165	1.975	2.505	2.335	1.725	1.650
80	2.390	2.200	2.730	2.560	1.950	1.875
92	2.690	2.500	3.030	2.860	2.250	2.175
104	2.990	2.800	3.330	3.160	2.550	2.475
122	3.440	3.250	3.780	3.610	3.000	2.925
140	3.890	3.700	4.230	4.060	3.450	3.375
152	4.190	4.000	4.530	4.360	3.750	3.675
182	4.940	4.750	5.280	5.110	4.500	4.425
206	5.540	5.350	5.880	5.710	5.100	5.025

PLEASE CONSULT THE AIRBORN WEBSITE FOR THE LATEST REVISION OF THIS DOCUMENT PRIOR TO BEGINNING ANY DESIGN WORK.

RIGHT ANGLE



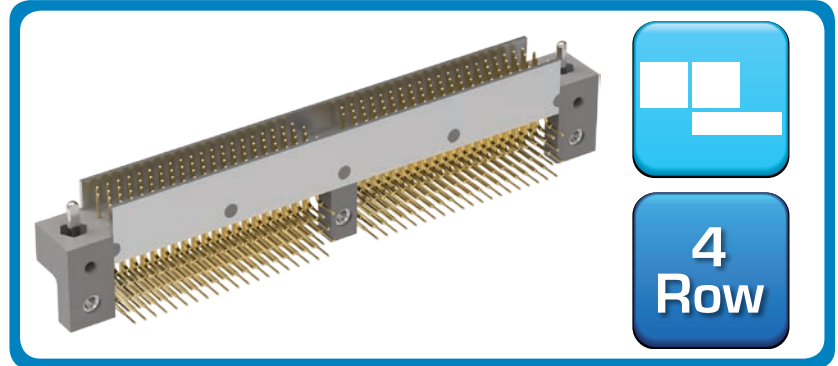
R Series

High-Density
 0.075"
 (1.905mm)

RM – Four-Row, Right-Angle, Board-Mount Plug

Contact Spacing: 0.075" (1.91 mm)

R-Series products are high-density, plastic connectors commonly used in board-to-board applications. Approved to MIL-55302 standard.



RIGHT ANGLE

Sample Part Number Format: RM452-164-312-9501

SERIES	ROWS	STYLE	BODY MATERIAL	SIZE	PLATING	TERMINATION	HARDWARE	POLARIZATION
RM	4	5	2					
0.075" Plastic Rectangular Connector (Plug)	4 – 4-Row (86-404 contacts)	5 – Plug, right-angle with mounting ears	2 – Polyphenylene sulfide (PPS)	086 – 86 contacts 110 – 110 contacts 164 – 164 contacts 196 – 196 contacts 204 – 204 contacts 220 – 220 contacts 250 – 250 contacts 276 – 276 contacts 300 – 300 contacts 404 – 404 contacts	1 – Gold 2 – Pre-tinned, SnPb alloy ‡ 3 – Pre-tinned, SAC305 alloy	31 – Plated thru-hole, 0.109" x 0.019" Ø 32 – Plated thru-hole, 0.140" x 0.019" Ø 33 – Plated thru-hole, 0.172" x 0.019" Ø 34 – Plated thru-hole, 0.250" x 0.019" Ø	0256 – None 90 – Guide pins, full round 93 – Fixed jackset 95 – Guide pins, polarized* 9501-9536 – Guide pins, polarized 99 – Guide pins, universal	00 – None XX – See page 141 for codes

Notes:

- ‡ Not RoHS-compliant
- * This hardware option is packaged unassembled (uninstalled)

PLEASE CONSULT THE AIRBORN WEBSITE FOR THE LATEST REVISION OF THIS DOCUMENT PRIOR TO BEGINNING ANY DESIGN WORK.

Mates with

- RM422 — Four-row, straight receptacle
- RM462 — Four-row, right-angle receptacle
- RM422 — Four-row, I/O receptacle

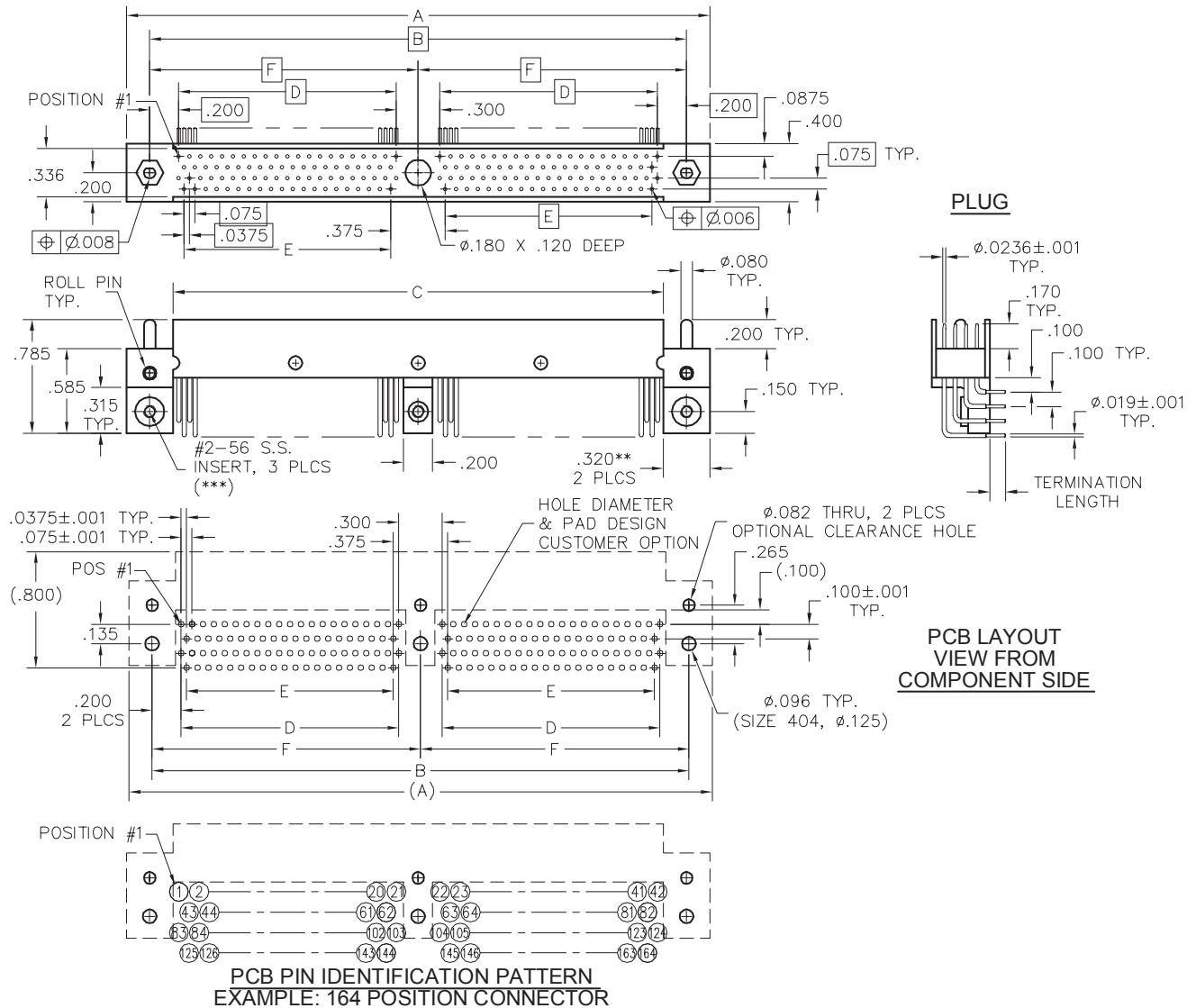
Terminations





RM – Four-Row, Right-Angle, Board-Mount Plug

Plastic ▪ 4-Row ▪ 86-404 Contacts



DIMENSIONS						
SIZE	A	B	C	D	E	F
86*	2.255	1.975	1.655	1.575	1.500	–
110*	2.745	2.425	2.105	2.025	1.950	–
164	4.020	3.700	3.380	1.500	1.425	1.850
196	4.620	4.300	3.980	1.800	1.725	2.150
204	4.770	4.450	4.130	1.875	1.800	2.225
220	5.070	4.750	4.430	2.025	1.950	2.375
250*	5.370	5.050	4.730	4.650	4.575	–
276	6.120	5.800	5.480	2.550	2.475	2.900
300	6.570	6.250	5.930	2.775	2.700	3.125
404****	8.520	8.200	7.880	3.750	3.675	4.100

NOTES:

- * = Single section, no center mounting hole
- ** = .280" for 86 position
- *** = #4-40 for 404 position
- **** = not present on 404 position

PLEASE CONSULT THE AIRBORN WEBSITE FOR THE LATEST REVISION OF THIS DOCUMENT PRIOR TO BEGINNING ANY DESIGN WORK.



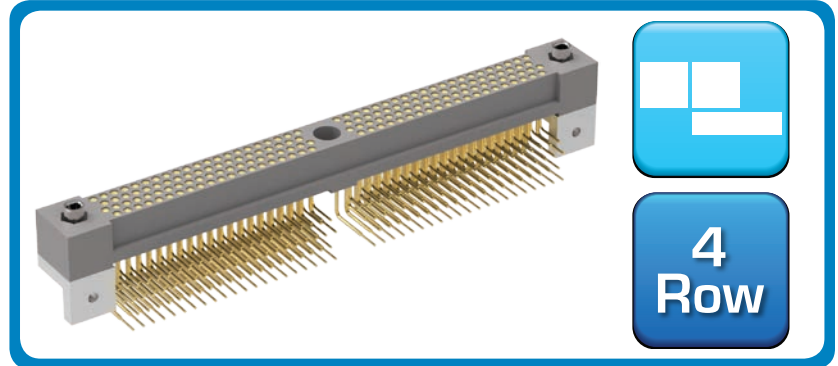
R Series

High-Density
0.075"
(1.905mm)

RM – Four-Row, Right-Angle, Board-Mount Receptacle

Contact Spacing: 0.075" (1.91 mm)

R-Series products are high-density, plastic connectors commonly used in board-to-board applications. Approved to MIL-55302 standard.



RIGHT ANGLE

Sample Part Number Format: RM462-164-852-9601



SERIES	ROWS	STYLE	BODY MATERIAL	SIZE	PLATING	TERMINATION	HARDWARE*	POLARIZATION
0.075" Plastic Rectangular Connector (Receptacle)	4 – 4-Row (86-404 contacts)	6 – Receptacle, right-angle with mounting ears*	2 – Polyphenylene sulfide (PPS)	086 – 86 contacts 110 – 110 contacts 164 – 164 contacts 196 – 196 contacts 204 – 204 contacts 220 – 220 contacts 250 – 250 contacts 276 – 276 contacts 300 – 300 contacts 404 – 404 contacts	1 – Gold 2 – Pre-tinned, SnPb alloy ‡ 3 – Pre-tinned, SAC305 alloy	84 – Plated thru-hole, 0.109" x 0.019" Ø 85 – Plated thru-hole, 0.140" x 0.019" Ø 86 – Plated thru-hole, 0.172" x 0.019" Ø	0256 – None 91 – Guide sockets, full round 92 – Hex turning jackset, 0.200" 93 – Fixed jackset 96 – Guide sockets, polarized** 9601-9636 – Guide sockets, polarized 97 – Guide sockets, polarized** 9701-9736 – Guide sockets, polarized 98 – Guide sockets, universal	00 – None XX – See page 141 for codes

Notes:

- ‡ Not RoHS-compliant
- * Mounting brackets are included with this connector.
- ** This hardware option is packaged unassembled (uninstalled)

PLEASE CONSULT THE AIRBORN WEBSITE FOR THE LATEST REVISION OF THIS DOCUMENT PRIOR TO BEGINNING ANY DESIGN WORK.

Mates with

- RM412 — Four-row, straight plug
- RM452 — Four-row, right-angle plug
- RM412 — Four-row, I/O plug

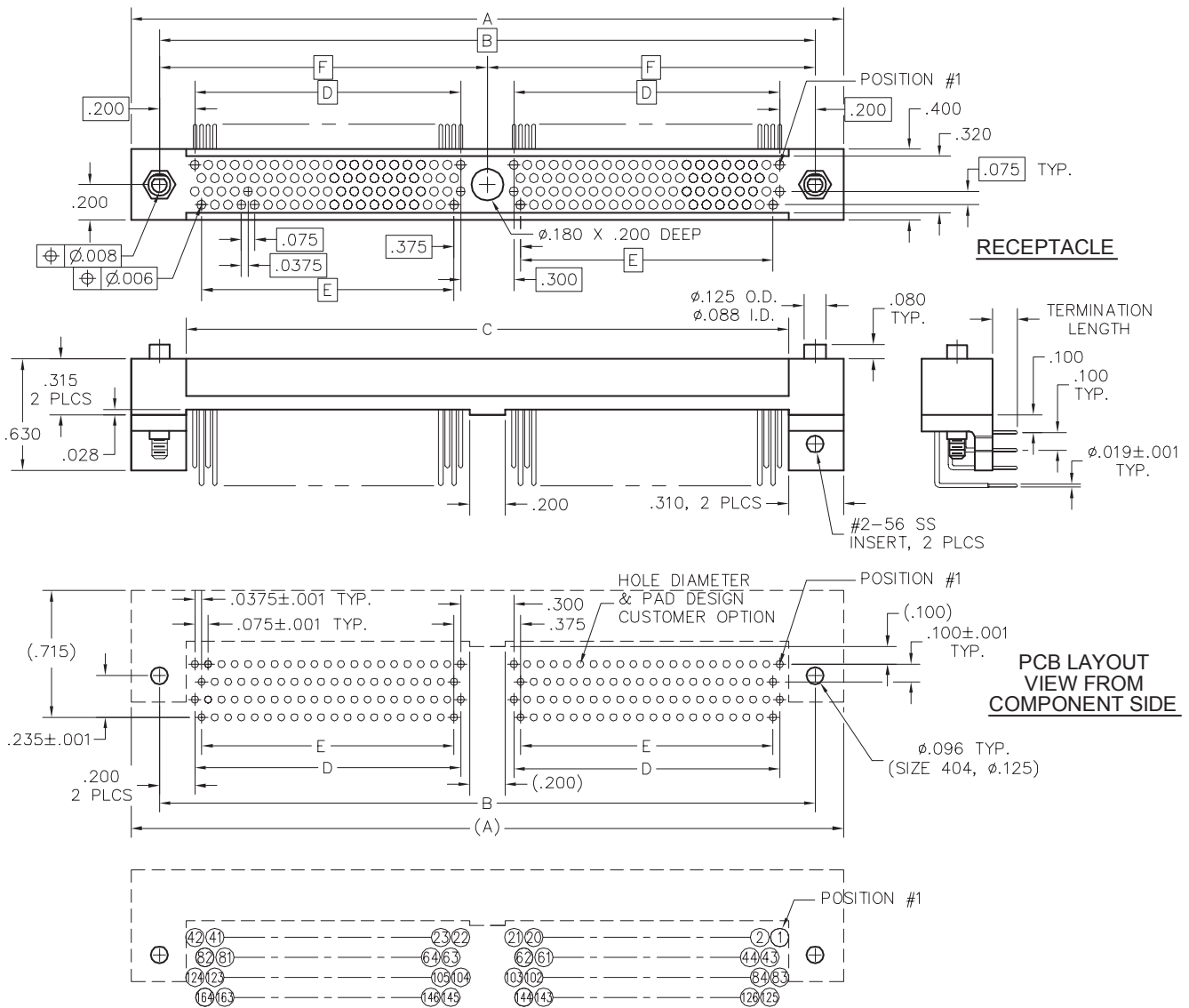
Terminations





RM – Four-Row, Right-Angle, Board-Mount Receptacle

Plastic ▪ 4-Row ▪ 86-404 Contacts



PCB PIN IDENTIFICATION PATTERN
VIEWED FROM COMPONENT SIDE
 (EXAMPLE: 164 POSITION CONNECTOR)

NOTES:

* = Single section, no center mounting hole

DIMENSIONS													
SIZE	A	B	C	D	E	F	SIZE	A	B	C	D	E	F
86*	2.255	1.975	1.655	1.575	1.500	—	220	5.070	4.750	4.430	2.025	1.950	2.375
110*	2.745	2.425	2.105	2.025	1.950	—	250*	5.370	5.050	4.730	4.650	4.575	—
164	4.020	3.700	3.380	1.500	1.425	1.850	276	6.120	5.800	5.480	2.550	2.475	2.900
196	4.620	4.300	3.980	1.800	1.725	2.150	300	6.570	6.250	5.930	2.775	2.700	3.125
204	4.770	4.450	4.130	1.875	1.800	2.225	404	8.520	8.200	7.880	3.750	3.675	4.100

PLEASE CONSULT THE AIRBORN WEBSITE FOR THE LATEST REVISION OF THIS DOCUMENT PRIOR TO BEGINNING ANY DESIGN WORK.

RIGHT ANGLE



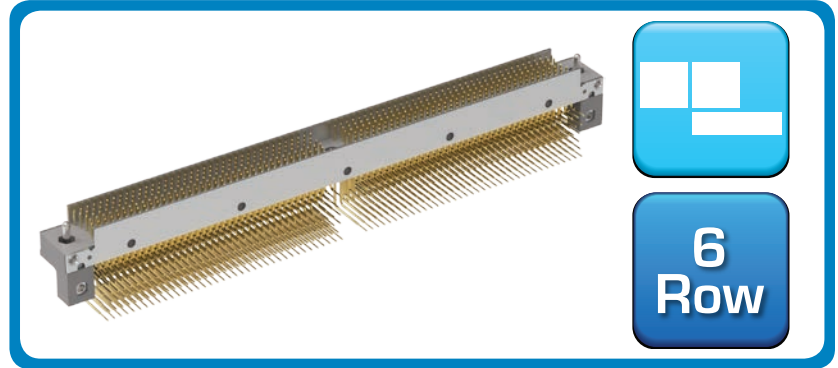
R Series

High-Density
0.075"
(1.905mm)

RM – Six-Row, Right-Angle, Board-Mount Plug

Contact Spacing: 0.075" (1.91 mm)

R-Series products are high-density, plastic connectors commonly used in board-to-board applications. Approved to MIL-55302 standard.



RIGHT ANGLE

Sample Part Number Format: RM652-448-312-9501

RM	6	5	2					
SERIES 0.075" Plastic Rectangular Connector (Plug)	ROWS 6 – 6-Row (448 & 604 contacts)	STYLE 5 – Plug, right-angle with mounting ears	BODY MATERIAL 2 – Polyphenylene sulfide (PPS)	SIZE 448 – 448 contacts 604 – 604 contacts	PLATING 1 – Gold 2 – Pre-tinned, SnPb alloy ‡ 3 – Pre-tinned, SAC305 alloy	TERMINATION 31 – Plated thru-hole, 0.109" x 0.019" Ø 32 – Plated thru-hole, 0.140" x 0.019" Ø 33 – Plated thru-hole, 0.172" x 0.019" Ø 34 – Plated thru-hole, 0.250" x 0.019" Ø	HARDWARE 0256 – None 90 – Guide pins, full round 93 – Fixed jackset 95 – Guide pins, polarized** 9501-9536 – Guide pins, polarized 99 – Guide pins, universal	POLARIZATION 00 – None XX – See page 141 for codes

Notes:

‡ Not RoHS-compliant

PLEASE CONSULT THE AIRBORN WEBSITE FOR THE LATEST REVISION OF THIS DOCUMENT PRIOR TO BEGINNING ANY DESIGN WORK.

Mates with

- RM622 — Six-row, straight receptacle
- RM662 — Six-row, right-angle receptacle
- RM622 — Six-row, I/O receptacle

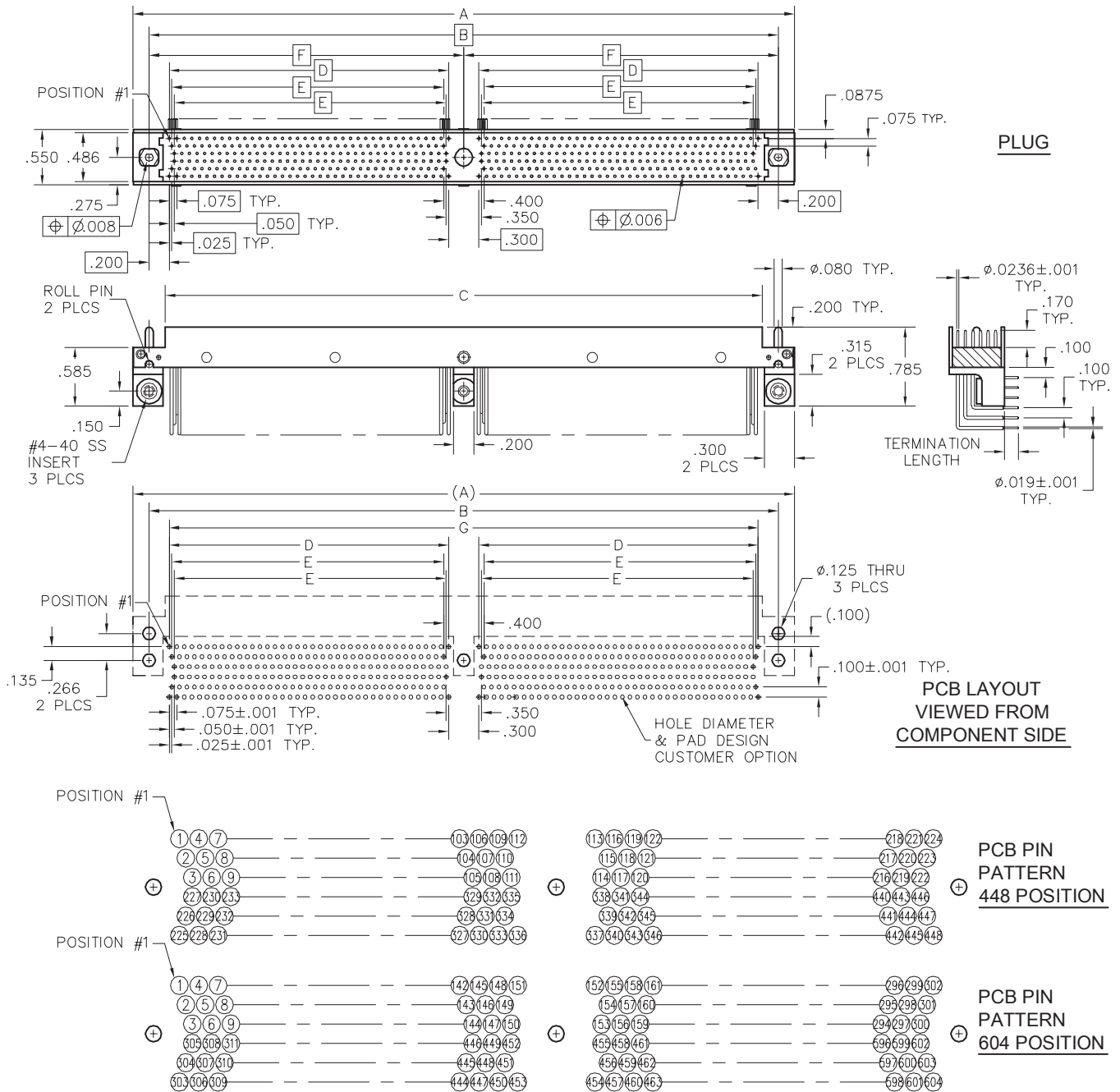
Terminations





RM – Six-Row, Right-Angle, Board-Mount Plug

Plastic ▪ 6-Row ▪ 448 & 604 Contacts



RIGHT ANGLE

DIMENSIONS							
SIZE	A	B	C	D	E	F	G
448	6.570	6.250	5.930	2.775	2.700	3.125	5.850
604	8.520	8.200	7.900	3.750	3.675	4.100	7.800

PLEASE CONSULT THE AIRBORN WEBSITE FOR THE LATEST REVISION OF THIS DOCUMENT PRIOR TO BEGINNING ANY DESIGN WORK.



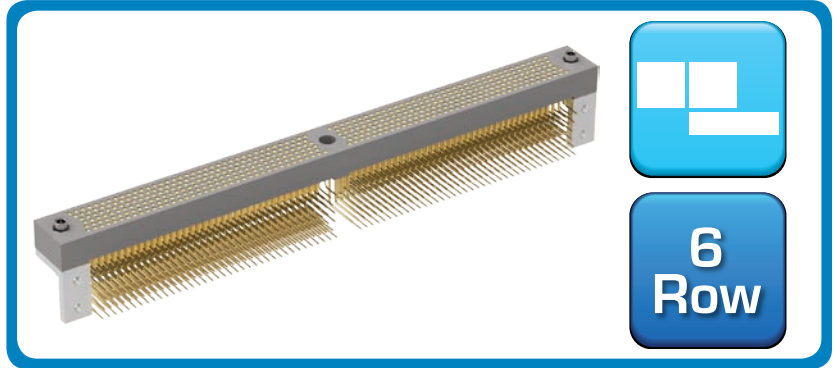
R Series

High-Density
 0.075"
 (1.905mm)

RM – Six-Row, Right-Angle, Board-Mount Receptacle

Contact Spacing: 0.075" (1.91 mm)

R-Series products are high-density, plastic connectors commonly used in board-to-board applications. Approved to MIL-55302 standard.



RIGHT ANGLE

Sample Part Number Format: RM662-448-852-9601



SERIES	ROWS	STYLE	BODY MATERIAL	SIZE	PLATING	POLARIZATION
0.075" Plastic Rectangular Connector (Receptacle)	6 – 6-Row (448 & 604 contacts)	6 – Receptacle, right-angle with mounting ears*	2 – Polyphenylene sulfide (PPS)	448 – 448 contacts 604 – 604 contacts	1 – Gold 2 – Pre-tinned, SnPb alloy ‡ 3 – Pre-tinned, SAC305 alloy	00 – None XX – See page 141 for codes
					TERMINATION	HARDWARE*
					84 – Plated thru-hole, 0.109" x 0.019" Ø 85 – Plated thru-hole, 0.140" x 0.019" Ø 86 – Plated thru-hole, 0.172" x 0.019" Ø	0256 – None 91 – Guide sockets, full round, #2-56 x 0.247" 92 – Hex turning jackset, 0.200" 93 – Fixed jackset, #2-56 x 0.247" 96 – Guide sockets, polarized, #2-56 x 0.320" ** 9601-9636 – Guide sockets, polarized, #2-56 x 0.320" 97 – Guide sockets, polarized, #2-56 x 0.247" ** 9701-9736 – Guide sockets, polarized, #2-56 x 0.247" 98 – Guide sockets, universal, #2-56 x 0.247"

Notes:

- ‡ Not RoHS-compliant
- * Mounting brackets are included with this connector.
- ** This hardware option is packaged unassembled (uninstalled)

PLEASE CONSULT THE AIRBORN WEBSITE FOR THE LATEST REVISION OF THIS DOCUMENT PRIOR TO BEGINNING ANY DESIGN WORK.

Mates with

- RM612 — Six-row, straight plug
- RM652 — Six-row, right-angle plug
- RM612 — Six-row, I/O plug

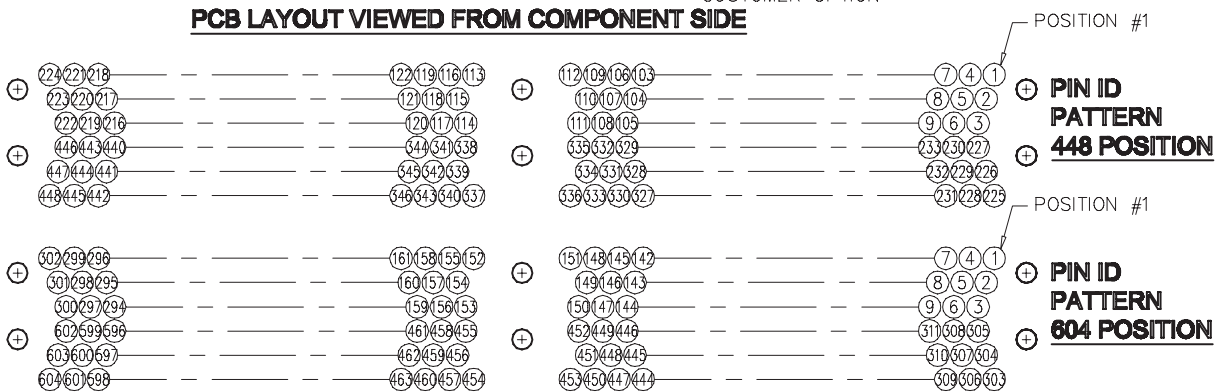
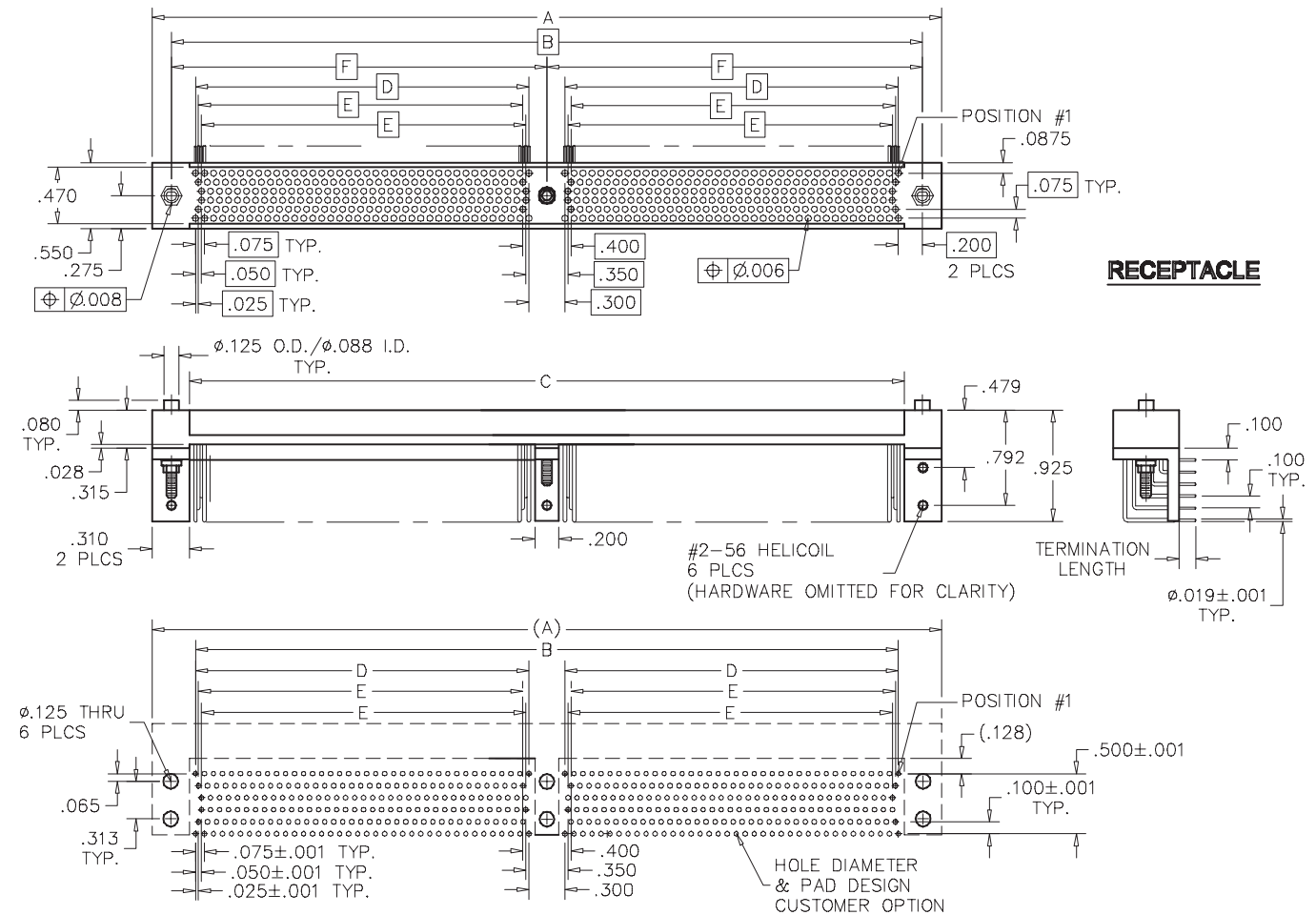
Terminations





RM – Six-Row, Right-Angle, Board-Mount Receptacle

Plastic ▪ 6-Row ▪ 448 & 604 Contacts



DIMENSIONS						
SIZE	A	B	C	D	E	F
448	6.570	6.250	5.950	2.775	2.700	3.125
604	8.520	8.200	7.800	3.750	3.675	4.100

PLEASE CONSULT THE AIRBORN WEBSITE FOR THE LATEST REVISION OF THIS DOCUMENT PRIOR TO BEGINNING ANY DESIGN WORK.

RIGHT ANGLE

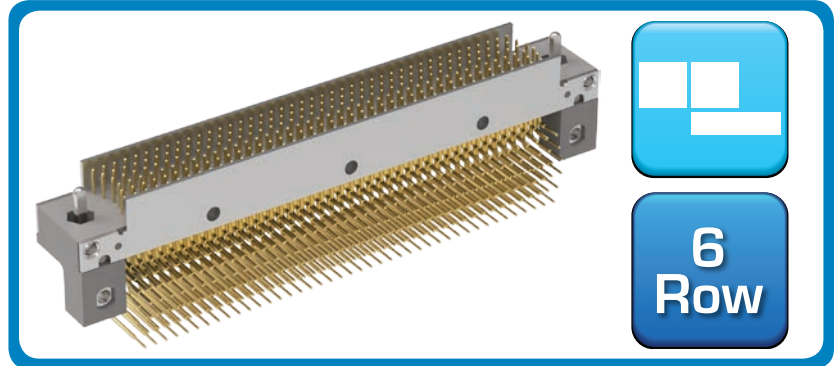


R Series High-Density 0.075" (1.905mm)

RM – Six-Row, Right-Angle, Board-Mount Plug

Contact Spacing: 0.075" (1.91 mm)

R-Series products are high-density, plastic connectors commonly used in board-to-board applications. Approved to MIL-55302 standard.



RIGHT ANGLE

Sample Part Number Format: RM672-252-312-9501



SERIES	ROWS	STYLE	BODY MATERIAL	SIZE	PLATING	TERMINATION	HARDWARE	POLARIZATION
0.075" Plastic Rectangular Connector (Plug)	6 – 6-Row (162-402 contacts)	7 – Plug, right-angle with mounting ears	2 – Polyphenylene sulfide (PPS)	162 – 162 contacts 204 – 204 contacts 252 – 252 contacts 300 – 300 contacts 360 – 360 contacts 402 – 402 contacts	1 – Gold 2 – Pre-tinned, SnPb alloy ‡ 3 – Pre-tinned, SAC305 alloy	31 – Plated thru-hole, 0.109" x 0.019" Ø 32 – Plated thru-hole, 0.140" x 0.019" Ø 33 – Plated thru-hole, 0.172" x 0.019" Ø 34 – Plated thru-hole, 0.250" x 0.019" Ø	0256 – None 90 – Guide pins, full round 93 – Fixed jackset 95 – Guide pins, polarized** 9501-9536 – Guide pins, polarized 99 – Guide pins, universal	00 – None XX – See page 141 for codes

Notes:

- ‡ Not RoHS-compliant
- ** This hardware option is packaged unassembled (uninstalled)

PLEASE CONSULT THE AIRBORN WEBSITE FOR THE LATEST REVISION OF THIS DOCUMENT PRIOR TO BEGINNING ANY DESIGN WORK.

Mates with

- RM622 — Six-row, straight receptacle
- RM662 — Six-row, right-angle receptacle
- RM622 — Six-row, I/O receptacle

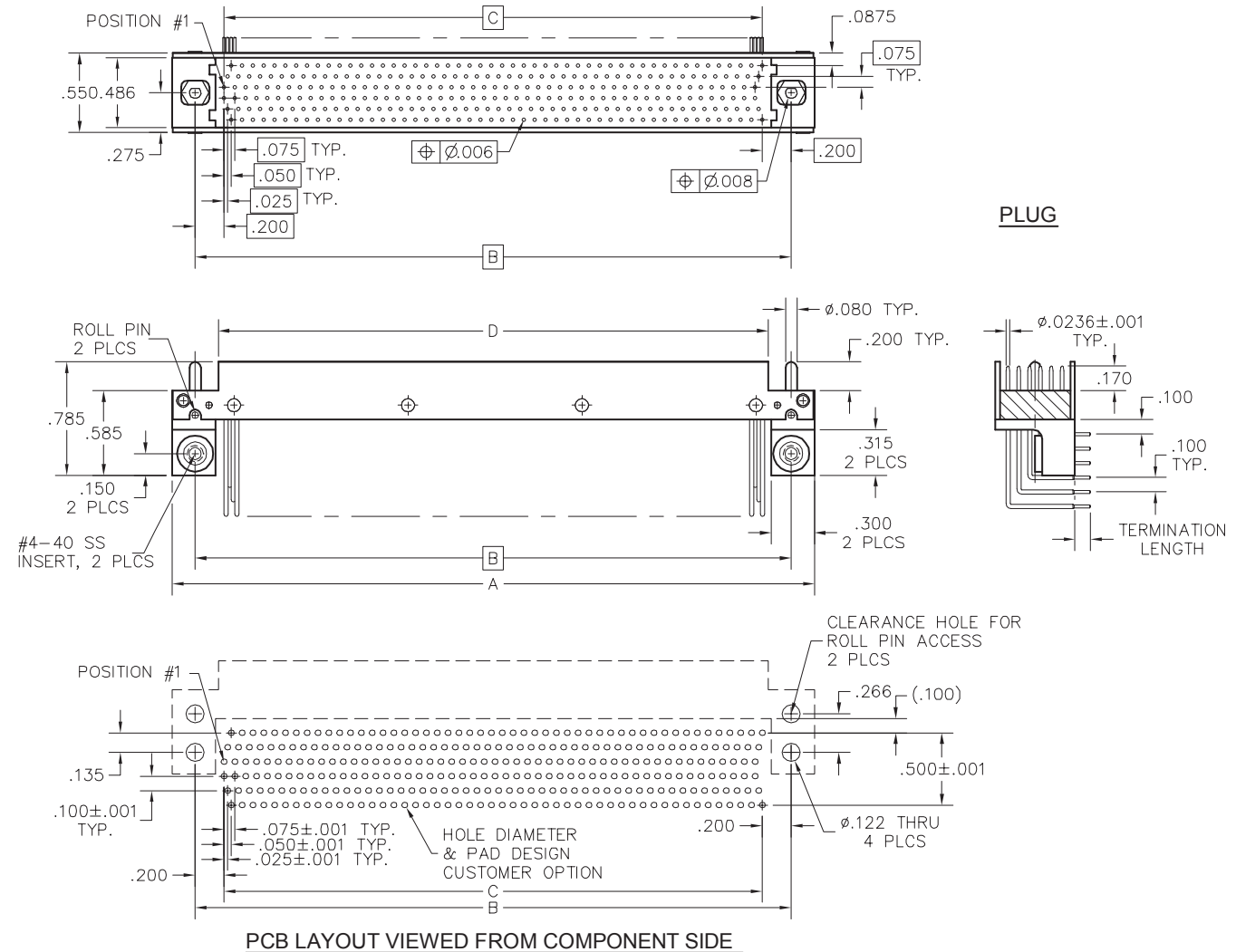
Terminations





RM – Six-Row, Right-Angle, Board-Mount Plug

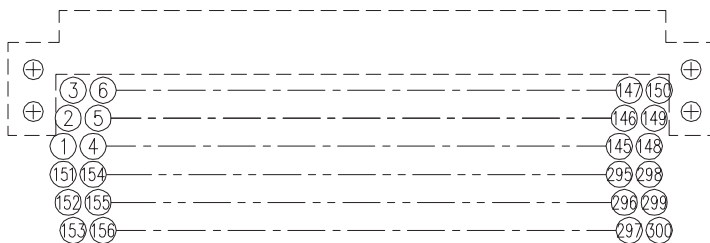
Plastic ▪ 6-Row ▪ 162-402 Contacts



PLUG

RIGHT ANGLE

PCB LAYOUT VIEWED FROM COMPONENT SIDE



**PCB PIN IDENTIFICATION PATTERN
 (EXAMPLE: 300 POSITION CONNECTOR)**

DIMENSIONS				
SIZE	A	B	C	D
162	2.720	2.400	2.000	2.080
204	3.245	2.925	2.525	2.605
252	3.845	3.525	3.125	3.205
300	4.445	4.125	3.725	3.805
360	5.195	4.875	4.475	4.550
402	5.720	5.400	5.000	5.080

PLEASE CONSULT THE AIRBORN WEBSITE FOR THE LATEST REVISION OF THIS DOCUMENT PRIOR TO BEGINNING ANY DESIGN WORK.



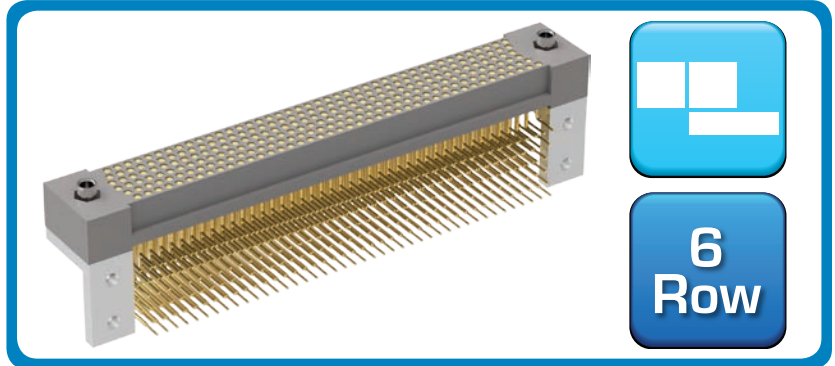
R Series

High-Density
0.075"
(1.905mm)

RM – Six-Row, Right-Angle, Board-Mount Receptacle

Contact Spacing: 0.075" (1.91 mm)

R-Series products are high-density, plastic connectors commonly used in board-to-board applications. Approved to MIL-55302 standard.



RIGHT ANGLE

Sample Part Number Format: RM682-252-852-9601



SERIES
0.075" Plastic Rectangular Connector (Receptacle)

ROWS
6 – 6-Row (162-402 contacts)

STYLE
8 – Receptacle, right-angle with mounting ears*

BODY MATERIAL
2 – Polyphenylene sulfide (PPS)

SIZE
162 – 162 contacts
204 – 204 contacts
252 – 252 contacts
300 – 300 contacts
360 – 360 contacts
402 – 402 contacts

PLATING
1 – Gold
2 – Pre-tinned, SnPb alloy ‡
3 – Pre-tinned, SAC305 alloy

POLARIZATION
00 – None
XX – See page 141 for codes

TERMINATION

84 – Plated thru-hole, 0.109" x 0.019" Ø
85 – Plated thru-hole, 0.140" x 0.019" Ø
86 – Plated thru-hole, 0.172" x 0.019" Ø

HARDWARE*

0256 – None
91 – Guide sockets, full round, #2-56 x 0.247"
92 – Hex turning jackset, 0.200"
93 – Fixed jackset, #2-56 x 0.247"
96 – Guide sockets, polarized, #2-56 x 0.320" **
9601-9636 – Guide sockets, polarized, #2-56 x 0.320"
97 – Guide sockets, polarized, #2-56 x 0.247" **
9701-9736 – Guide sockets, polarized, #2-56 x 0.247"
98 – Guide sockets, universal, #2-56 x 0.247"

Notes:

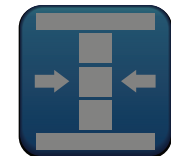
- ‡ Not RoHS-compliant
- * Mounting brackets are included with this connector.
- ** This hardware option is packaged unassembled (uninstalled)

PLEASE CONSULT THE AIRBORN WEBSITE FOR THE LATEST REVISION OF THIS DOCUMENT PRIOR TO BEGINNING ANY DESIGN WORK.

Mates with

- RM632 — Six-row, straight plug
- RM652 — Six-row, right-angle plug
- RM632 — Six-row, I/O plug

Terminations

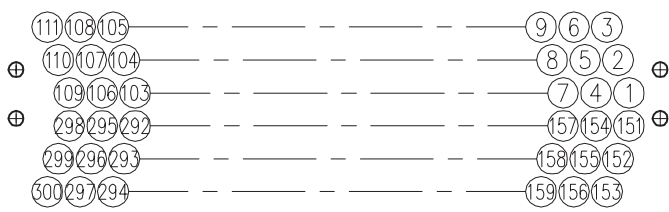
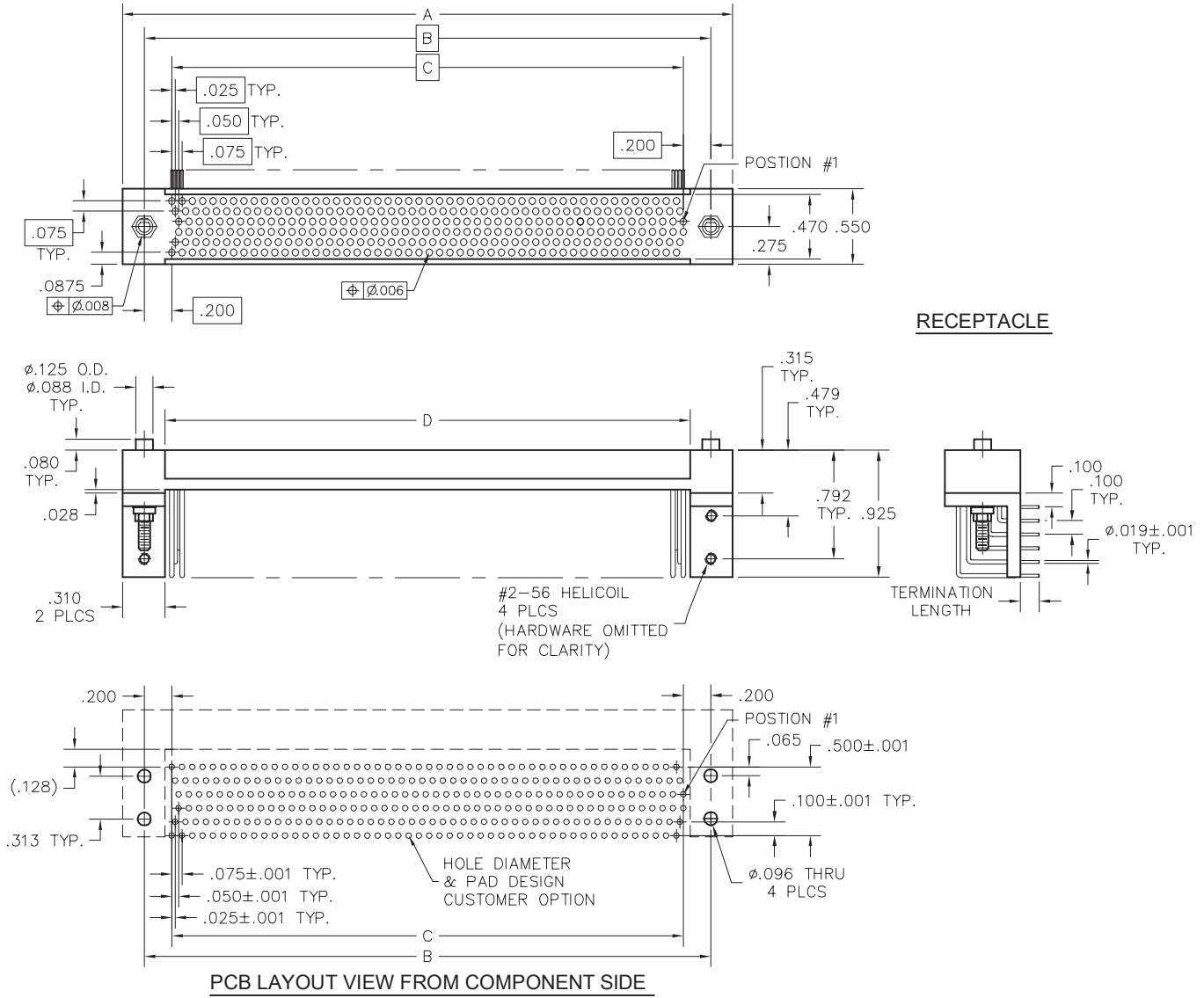




RM – Six-Row, Right-Angle, Board-Mount Receptacle

Plastic ▪ 6-Row ▪ 162-402 Contacts

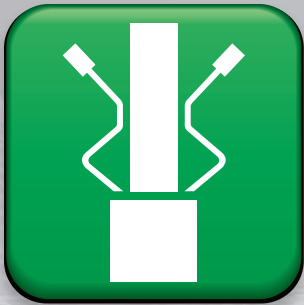
RIGHT ANGLE



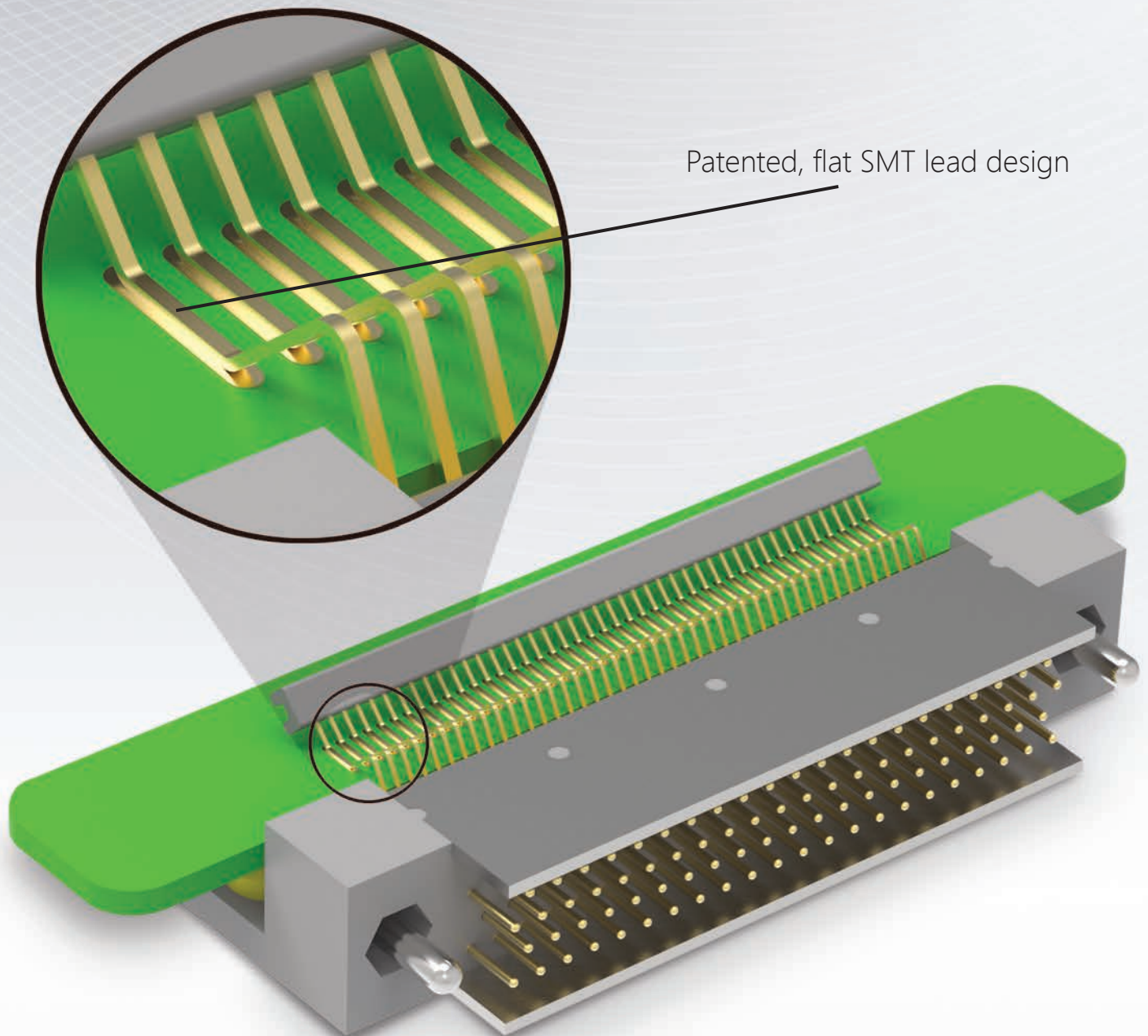
PIN IDENTIFICATION PATTERN
 (EXAMPLE: 300 POSITION CONNECTOR)

DIMENSIONS				
SIZE	A	B	C	D
162	2.720	2.400	2.000	2.100
204	3.245	2.925	2.525	2.625
252	3.845	3.525	3.125	3.225
300	4.445	4.125	3.725	3.825
360	5.195	4.875	4.475	4.575
402	5.720	5.400	5.000	5.100

PLEASE CONSULT THE AIRBORN WEBSITE FOR THE LATEST REVISION OF THIS DOCUMENT PRIOR TO BEGINNING ANY DESIGN WORK.



R-Series Card-Edge Connectors



Patented, flat SMT lead design

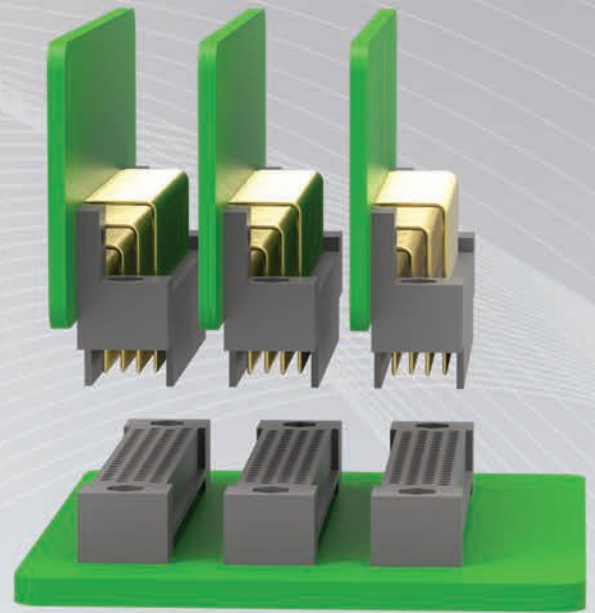
R-Series Connectors

0.075" (1.905 mm)



4 Card-Edge Connectors

Card-Edge SMT connectors allow for tighter spacing of board-level components — ultimately saving space and cost.



3 Right-Angle Connectors

Card-Edge connectors are the answer for designs where board-to-board stack space is critical.

This high-density interconnect provides all the same ruggedness & reliability you expect in a low-profile, surface-mount connector.

- 86-604 contacts
- Available in 4- or 6-row options
- Allows for tighter spacing of board components
- Patented SMT lead design means more surface area makes contact with the board
- Mil-C-55302 qualified



Now you're **AirBorn Connected**[®]

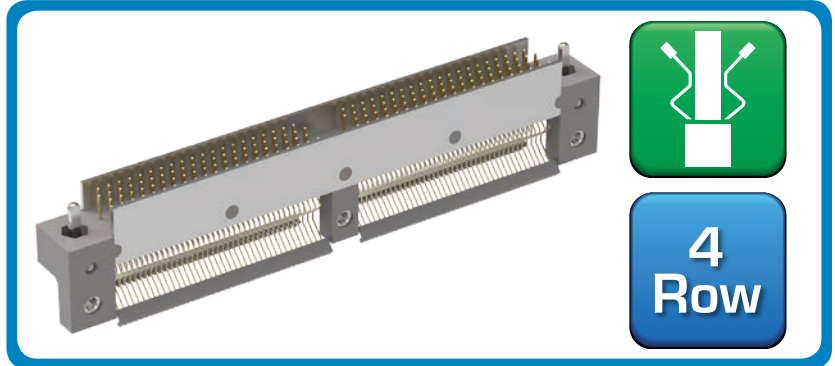


R Series High-Density 0.075" (1.905mm)

RM – Four-Row, Card-Edge, Surface-Mount Plug

Contact Spacing: 0.075" (1.91 mm)

R-Series card-edge connectors are a high-density interconnect solution for applications where board space is limited.



Sample Part Number Format: RM412-164-192-9501-933

RM	4	1	2		19				
SERIES 0.075" Plastic Rectangular Connector (Plug)	ROWS 4 – 4-Row (86-404 contacts)	STYLE 1 – Plug, straight with mounting ears	BODY MATERIAL 2 – Polyphenylene sulfide (PPS)	SIZE 086 – 86 contacts 110 – 110 contacts 164 – 164 contacts 196 – 196 contacts 204 – 204 contacts 220 – 220 contacts 250 – 250 contacts 276 – 276 contacts 300 – 300 contacts 404 – 404 contacts	PLATING 2 – Pre-tinned, SnPb alloy ‡ 3 – Pre-tinned, SAC305 alloy	TERMINATION 19 – SMT, 0.014" x 0.007" tail, scored	POLARIZATION 00 – None XX – See page 141 for codes	HARDWARE 0256 – None 90 – Guide pins, full round 93 – Fixed jacket 95 – Guide pins, polarized** 9501-9536 – Guide pins, polarized 99 – Guide pins, universal	OPTIONS 9XX – Refer to SMT Configuration Codes on page 131

CARD EDGE

Notes:

- ‡ Not RoHS-compliant
- ** This hardware option is packaged unassembled (uninstalled)

PLEASE CONSULT THE AIRBORN WEBSITE FOR THE LATEST REVISION OF THIS DOCUMENT PRIOR TO BEGINNING ANY DESIGN WORK.

Mates with

- RM422 — Four-row, straight receptacle
- RM462 — Four-row, right-angle receptacle
- RM422 — Four-row, I/O receptacle

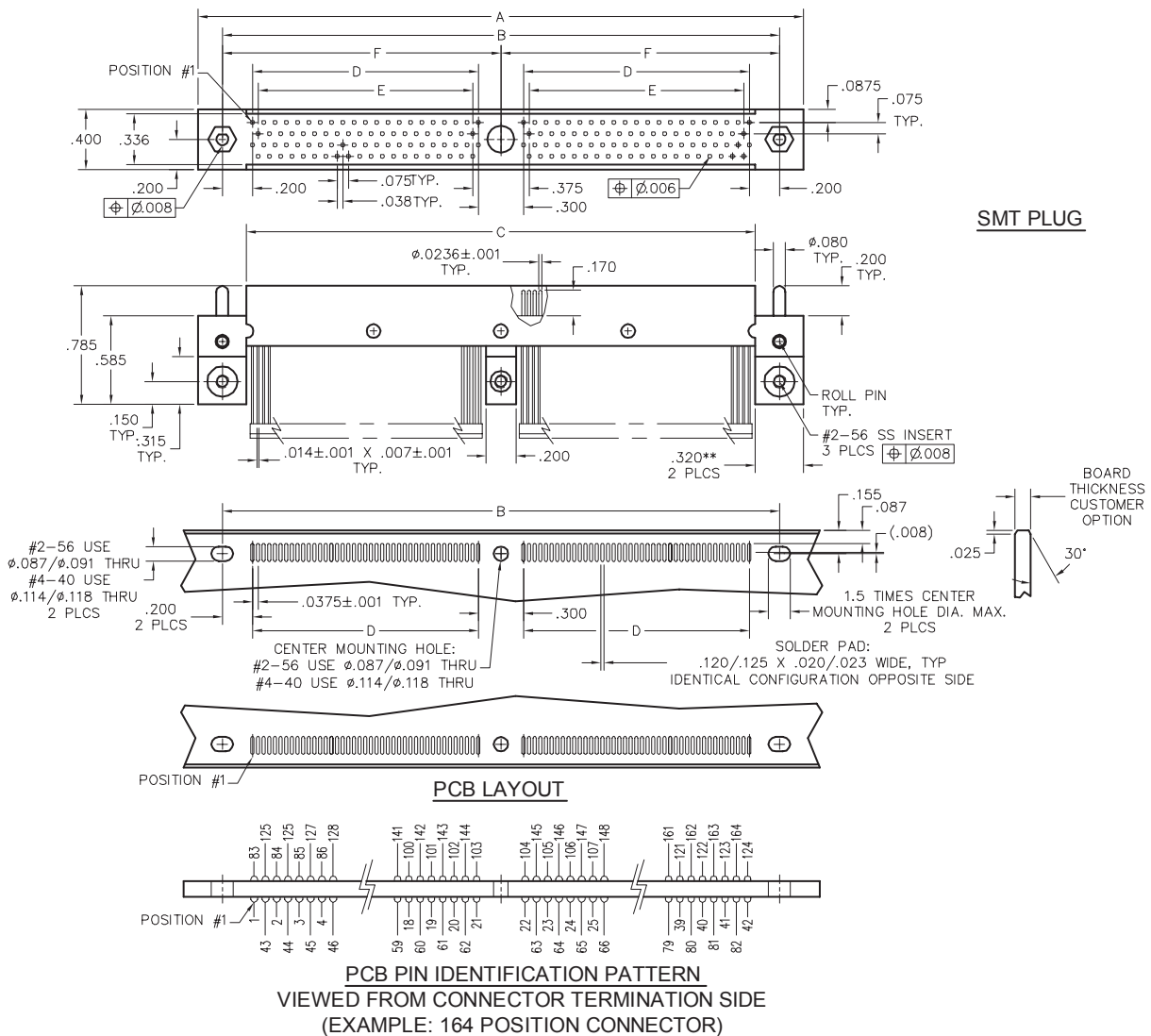
Terminations





RM – Four-Row, Card-Edge, Surface-Mount Plug

Plastic ▪ 4-Row ▪ 86-404 Contacts



DIMENSIONS						
SIZE	A	B	C	D	E	F
86*	2.255	1.975	1.655	1.575	1.500	—
110*	2.745	2.425	2.105	2.025	1.950	—
164	4.020	3.700	3.380	1.500	1.425	1.850
196	4.620	4.300	3.980	1.800	1.725	2.150
204	4.770	4.450	4.130	1.875	1.800	2.225
220	5.070	4.750	4.430	2.025	1.950	2.375
250*	5.370	5.050	4.730	4.650	4.575	—
276	6.120	5.800	5.480	2.550	2.475	2.900
300	6.570	6.250	5.930	2.775	2.700	3.125
404	8.520	8.200	7.880	3.750	3.675	4.100

PLEASE CONSULT THE AIRBORN WEBSITE FOR THE LATEST REVISION OF THIS DOCUMENT PRIOR TO BEGINNING ANY DESIGN WORK.

CARD EDGE

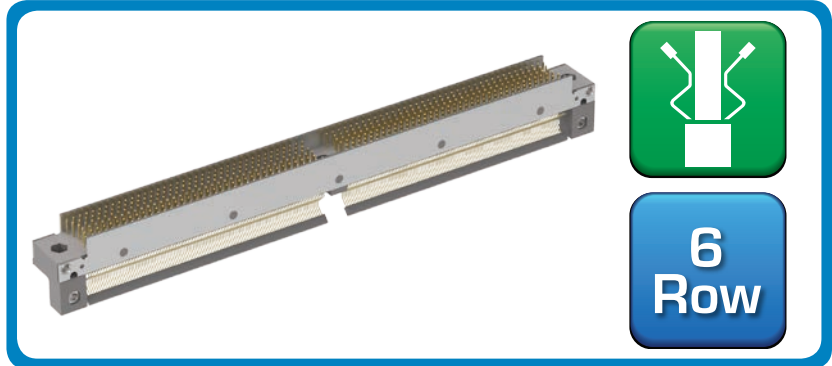


R Series High-Density 0.075" (1.905mm)

RM – Six-Row, Card-Edge, Surface-Mount Plug

Contact Spacing: 0.075" (1.91 mm)

R-Series card-edge connectors are a high-density interconnect solution for applications where board space is limited.



Sample Part Number Format: RM612-448-192-9501-985

RM	6	1	2		19				
SERIES 0.075" Plastic Rectangular Connector (Plug)	ROWS 6 – 6-Row (448 & 604 contacts)	STYLE 1 – Plug, straight with mounting ears	BODY MATERIAL 2 – Polyphenylene sulfide (PPS)	SIZE 448 – 448 contacts 604 – 604 contacts	PLATING 2 – Pre-tinned, SnPb alloy ‡ 3 – Pre-tinned, SAC305 alloy	TERMINATION 19 – SMT, 0.014" x 0.007" tail, scored	POLARIZATION 00 – None XX – See page 141 for codes	HARDWARE 0256 – None 90 – Guide pins, full round 93 – Fixed jackset 95 – Guide pins, polarized* 9501-9536 – Guide pins, polarized 99 – Guide pins, universal	OPTIONS 9XX – Refer to SMT Configuration Codes on page 131

CARD EDGE

Notes:

- ‡ Not RoHS-compliant
- * This hardware option is packaged unassembled (uninstalled)

PLEASE CONSULT THE AIRBORN WEBSITE FOR THE LATEST REVISION OF THIS DOCUMENT PRIOR TO BEGINNING ANY DESIGN WORK.

Mates with

- RM622 — Six-row, straight receptacle
- RM662 — Six-row, right-angle receptacle
- RM622 — Six-row, I/O receptacle

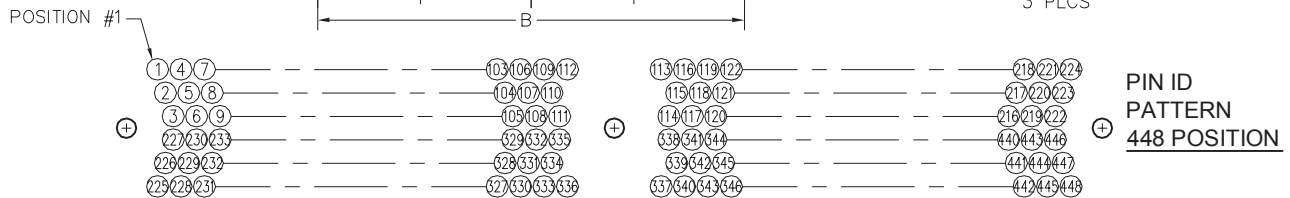
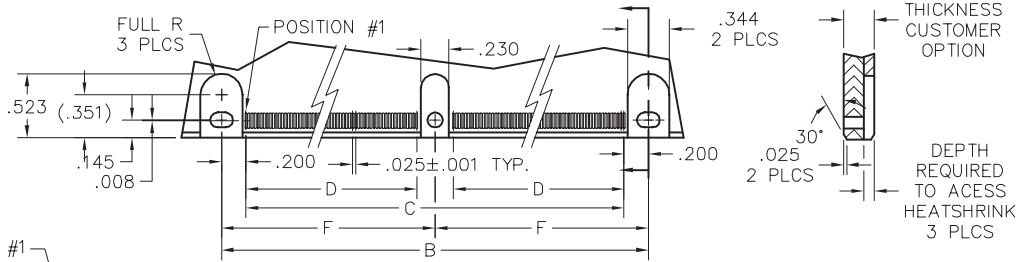
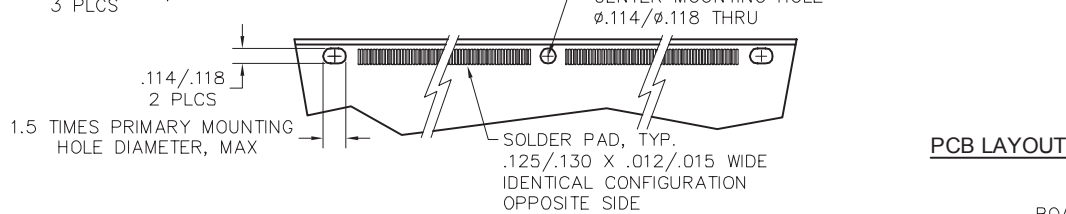
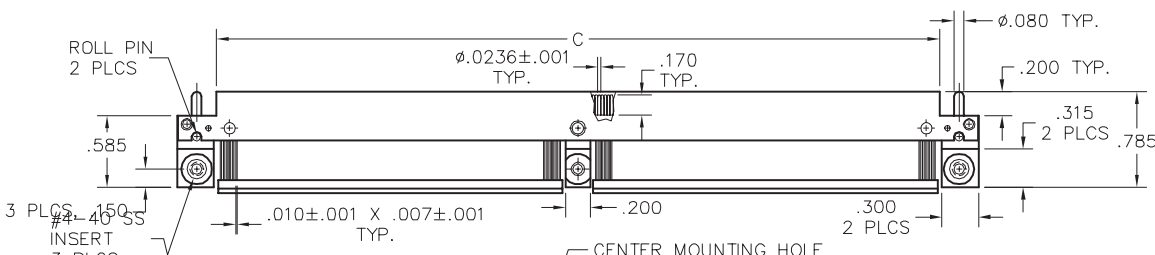
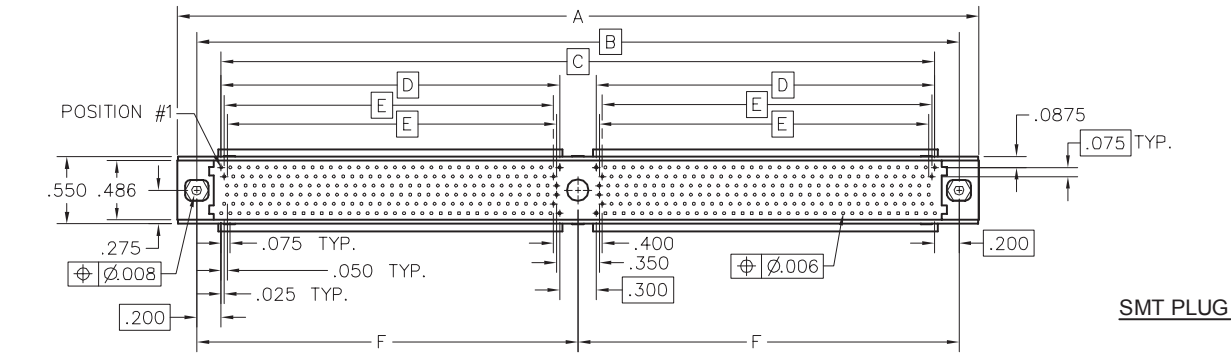
Terminations



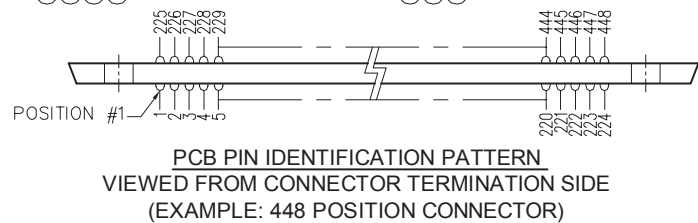


RM – Six-Row, Card-Edge, Surface-Mount Plug

Plastic ▪ 6-Row ▪ 448 & 604 Contacts



DIMENSIONS						
SIZE	A	B	C	D	E	F
448	6.570	6.250	5.850	2.775	2.700	3.125
604	8.520	8.200	7.800	3.750	3.675	4.100



PLEASE CONSULT THE AIRBORN WEBSITE FOR THE LATEST REVISION OF THIS DOCUMENT PRIOR TO BEGINNING ANY DESIGN WORK.

CARD EDGE

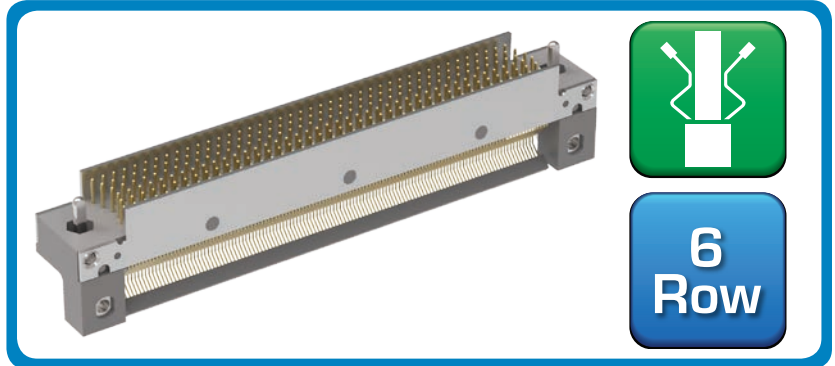


R Series High-Density 0.075" (1.905mm)

RM – Six-Row, Card-Edge, Surface-Mount Plug

Contact Spacing: 0.075" (1.91 mm)

R-Series card-edge connectors are a high-density interconnect solution for applications where board space is limited.



Sample Part Number Format: RM632-252-192-9501-985

RM	6	3	2		19				
SERIES 0.075" Plastic Rectangular Connector (Plug)	ROWS 6 – 6-Row (162-402 contacts)	STYLE 3 – Plug, straight with mounting ears	BODY MATERIAL 2 – Polyphenylene sulfide (PPS)	SIZE 162 – 162 contacts 204 – 204 contacts 252 – 252 contacts 300 – 300 contacts 360 – 360 contacts 402 – 402 contacts	PLATING 2 – Pre-tinned, SnPb alloy ‡ 3 – Pre-tinned, SAC305 alloy	TERMINATION 19 – SMT, 0.014" x 0.007" tail, scored	POLARIZATION 00 – None XX – See page 141 for codes	HARDWARE 0256 – None 90 – Guide pins, full round 93 – Fixed jackset 95 – Guide pins, polarized** 9501-9536 – Guide pins, polarized 99 – Guide pins, universal	OPTIONS 9XX – Refer to SMT Configuration Codes on page 131

Notes:

- ‡ Not RoHS-compliant
- * Pre-tin is not available with flex circuit termination.
- ** This hardware option is packaged unassembled (uninstalled)

PLEASE CONSULT THE AIRBORN WEBSITE FOR THE LATEST REVISION OF THIS DOCUMENT PRIOR TO BEGINNING ANY DESIGN WORK.

CARD EDGE

Mates with

- RM622 — Six-row, straight receptacle
- RM662 — Six-row, right-angle receptacle
- RM622 — Six-row, I/O receptacle

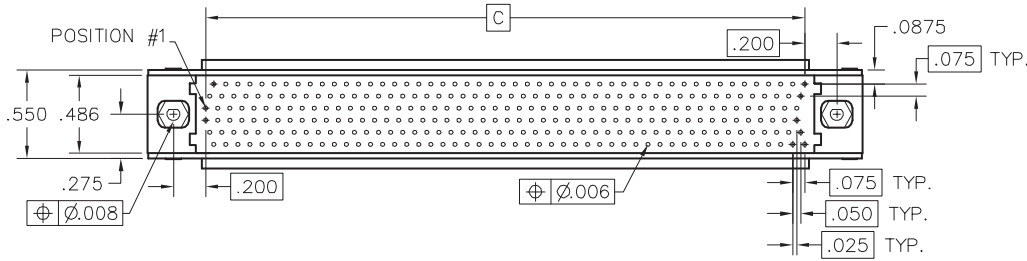
Terminations



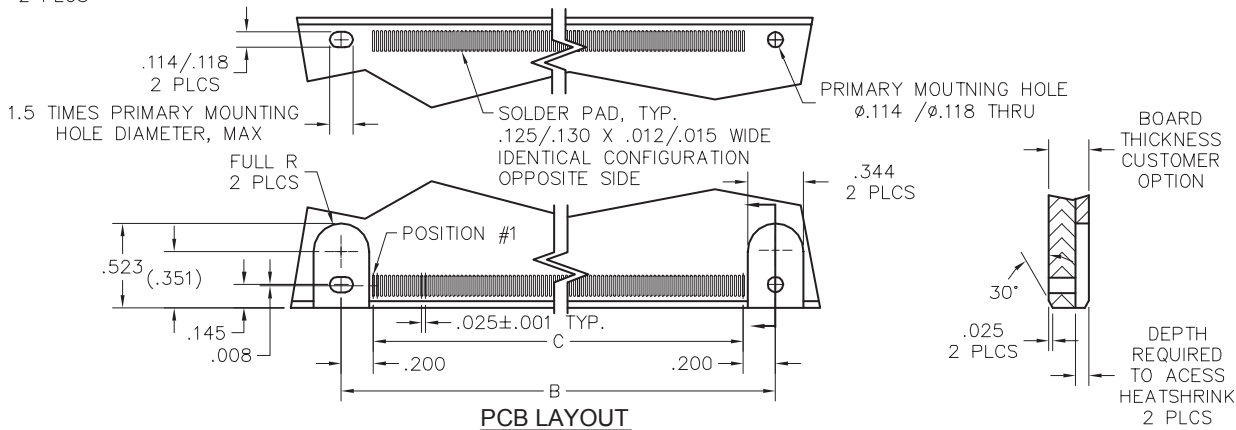
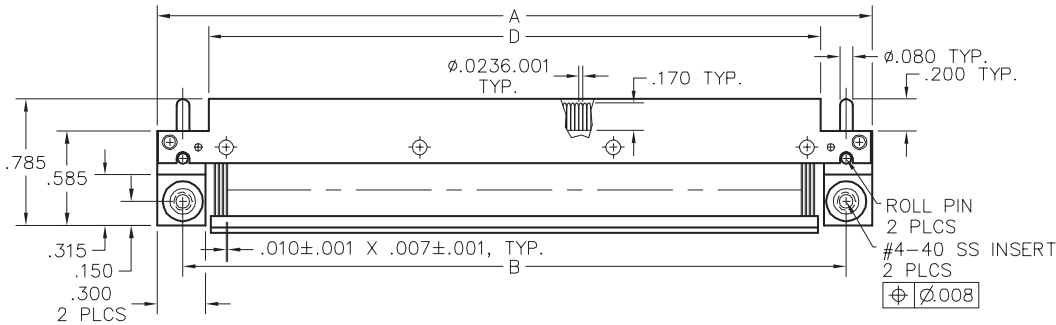


RM – Six-Row, Card-Edge, Surface-Mount Plug

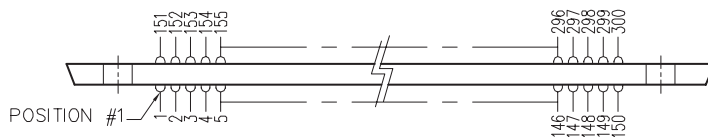
Plastic ▪ 6-Row ▪ 162-402 Contacts



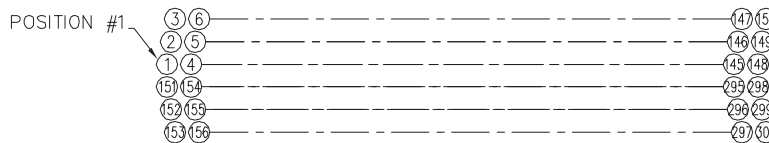
SMT PLUG



PCB LAYOUT



**PCB PIN IDENTIFICATION PATTERN
 VIEWED FROM CONNECTOR TERMINATION SIDE
 (EXAMPLE: 300 POSITION CONNECTOR)**



**MATING FACE PIN IDENTIFICATION PATTERN
 (EXAMPLE: 300 POSITION CONNECTOR)**

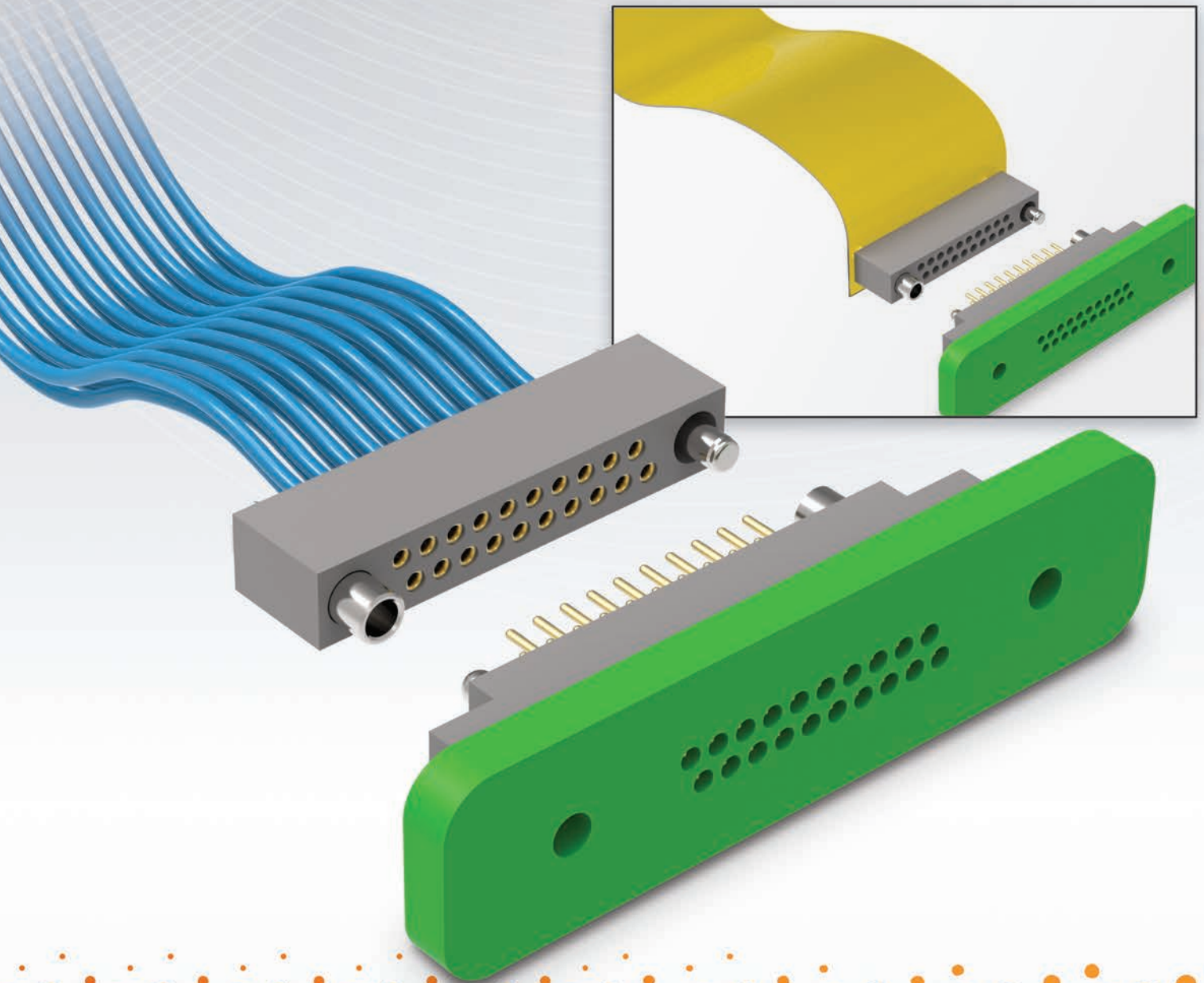
DIMENSIONS				
SIZE	A	B	C	D
162	2.720	2.400	2.000	2.080
204	3.245	2.925	2.525	2.605
252	3.845	3.525	3.125	3.205
300	4.445	4.125	3.725	3.805
360	5.195	4.875	4.475	4.550
402	5.720	5.400	5.000	5.080

PLEASE CONSULT THE AIRBORN WEBSITE FOR THE LATEST REVISION OF THIS DOCUMENT PRIOR TO BEGINNING ANY DESIGN WORK.

CARD EDGE

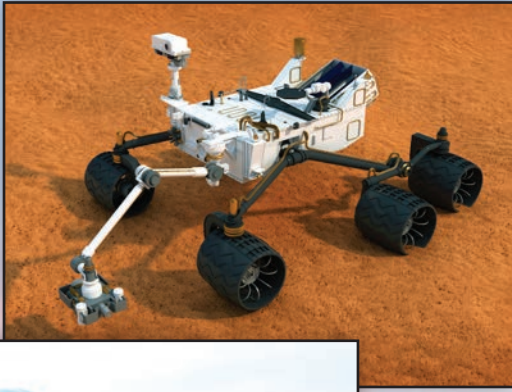


Factory Pre-Terminated I/O Connectors



R-Series Connectors

0.075" (1.905 mm)



AirBorn's RA model I/O connectors come completely factory pre-terminated for your convenience.

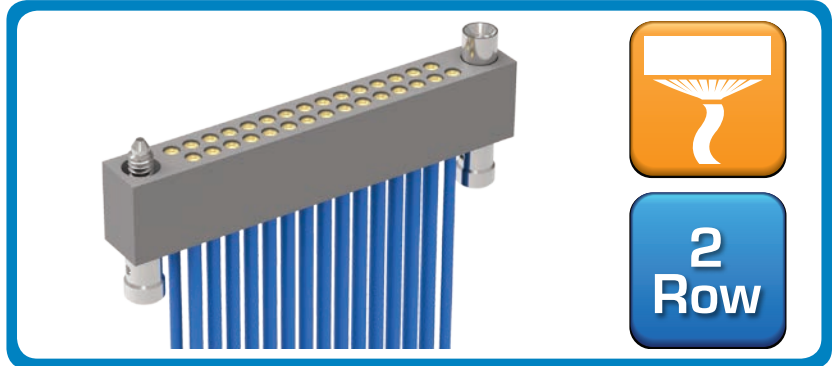
This reduces production time & variance while freeing up time to devote to other facets of product design and engineering.

- 10-104 contacts
- Crimped wire terminations
- RA connector models are completely factory pre-terminated

Now you're **AirBorn Connected**[®]



R Series High-Density 0.075" (1.905mm)



RA – Two-Row, I/O, Crimped-Wire Receptacle

Contact Spacing: 0.075" (1.91 mm)
 R-Series rugged & reliable I/O connectors are available with pre-terminated wires.

Sample Part Number Format: RA2H2-020-2HC-5900

RA

SERIES
 0.075" Plastic Rectangular I/O Connector (Receptacle)

2

ROWS
 2 – 2-Row (10-100 contacts)

E

STYLE
 E – Receptacle, straight with potting well and mounting ears
 F – Receptacle, straight with potting well; without mounting ears
 G – Receptacle, straight without potting well; with mounting ears
 H – Receptacle, straight without potting well and mounting ears

2

BODY MATERIAL
 2 – Polyphenylene sulfide (PPS)

020

SIZE
 010 – 10 contacts
 020 – 20 contacts
 030 – 30 contacts
 040 – 40 contacts
 050 – 50 contacts
 060 – 60 contacts
 070 – 70 contacts
 080 – 80 contacts
 090 – 90 contacts
 100 – 100 contacts

XX

WIRING
 XX – See page 125 for codes

TERMINATION
 2 – Crimp with 28-30 AWG contacts
 4 – Crimp with 22-26 AWG contacts

0256

HARDWARE
 0256 – None
 5500 – Guide set
 5501-5568 – Guide set, polarized (See page 133 for codes)
 5570 – Guide set, polarized - Same as above, but without Loctite® (customer-keyed)
 5700 – Two guide pins
 5800 – Two guide sockets

JACKING HARDWARE
 2900 – Fixed jackset
 3000 – Fixed jackset, reversed
 1900 – Two fixed jackscrews
 2000 – Two fixed jackscrews
 5900 – Hex turning jackset, 0.200"
 6000 – Hex turning jackset reversed, 0.200"
 6100 – Two hex turning jackscrews, 0.200"
 6200 – Two hex turning jackscrews, 0.200"
 6400 – Turning jackset, 0.490"
 6500 – Turning jackset reversed, 0.490"
 6600 – Two turning jackscrews, 0.490"
 6700 – Two turning jackscrews, 0.490"

Notes:

- If potting well is used with a pre-wired connector, it will be potted and not repairable.
- If potting well is not used with a pre-wired connector, it will not be potted.
- Contacts that are not potted in place can be removed and replaced only once.
- See page 142 for crimp instructions, contact insertion and contact removal tools.

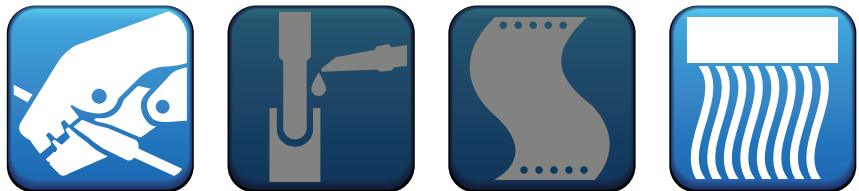
PLEASE CONSULT THE AIRBORN WEBSITE FOR THE LATEST REVISION OF THIS DOCUMENT PRIOR TO BEGINNING ANY DESIGN WORK.

CONTACT / CONTACT

Mates with

- RM212 & RM232 — Two-row, straight plug
- RM252 & RM272 — Two-row, right-angle plug
- RM212 — Two-row, I/O plug

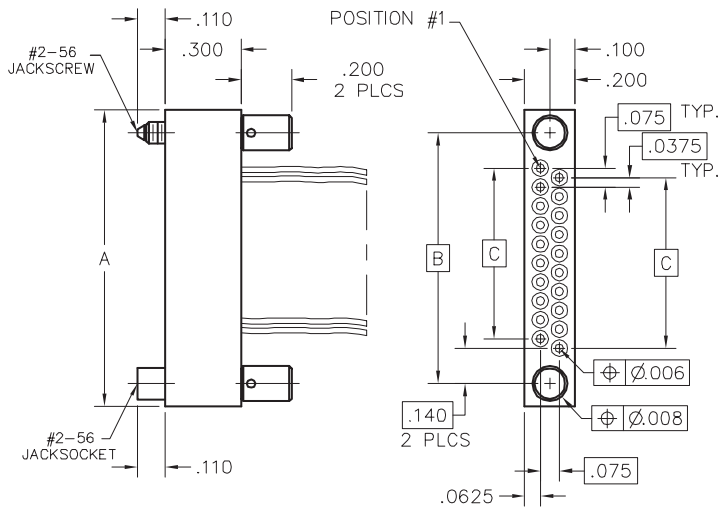
Terminations



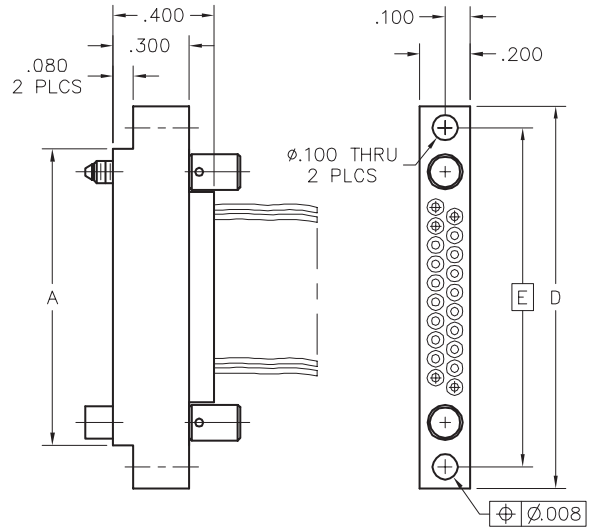


RA – Two-Row, I/O, Crimped-Wire Receptacle

Plastic ▪ 2-Row ▪ 10-100 Contacts

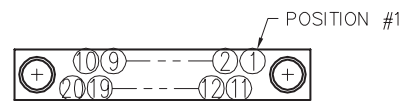


RECEPTACLE WITHOUT
 MOUNTING EARS OR
 POTTING WELL



RECEPTACLE WITH
 MOUNTING EARS AND
 POTTING WELL

DIMENSIONS					
SIZE	A	B	C	D	E
10	.797	.617	.300	1.137	.967
20	1.172	.992	.675	1.512	1.342
30	1.547	1.367	1.050	1.887	1.717
40	1.922	1.742	1.425	2.262	2.092
50	2.297	2.117	1.800	2.637	2.467
60	2.672	2.492	2.175	3.012	2.842
70	3.047	2.867	2.550	3.387	3.217
80	3.422	3.242	2.925	3.762	3.592
90	3.797	3.617	3.300	4.137	3.967
100	4.172	3.992	3.675	4.512	4.342



PIN IDENTIFICATION PATTERN
 VIEWED FROM TERMINATION FACE
 (EXAMPLE: 20 POSITION CONNECTOR)

REPLACEMENT CONTACTS:

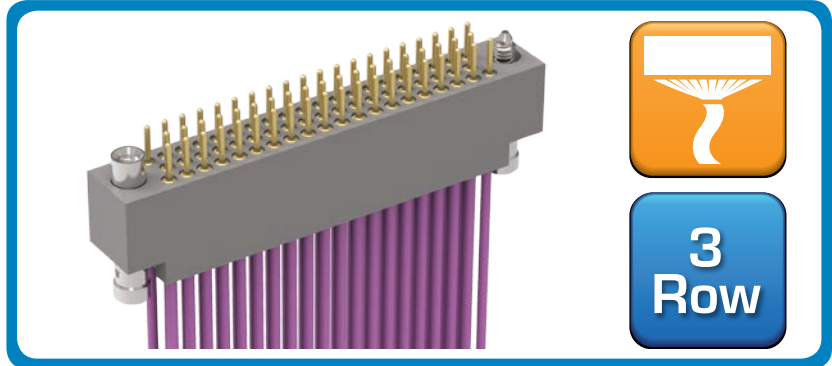
RA000-001-200-0000
 RA000-001-400-0000

SEE PAGE 140 & 141 FOR CRIMP INSTRUCTIONS, CONTACT
 INSERTION AND CONTACT REMOVAL TOOLS.

PLEASE CONSULT THE AIRBORN WEBSITE FOR THE LATEST REVISION OF THIS DOCUMENT PRIOR TO BEGINNING ANY DESIGN WORK.



R Series High-Density 0.075" (1.905mm)



RA – Three-Row, I/O, Crimped-Wire Plug

Contact Spacing: 0.075" (1.91 mm)

R-Series rugged & reliable I/O connectors are available with pre-terminated wires.

Sample Part Number Format: RA3D2-059-3EA-5900



SERIES
0.075" Plastic Rectangular I/O Connector (Plug)

ROWS
3 – 3-Row (11-104 contacts)

STYLE

- A – Plug, straight with potting well and mounting ears
- B – Plug, straight with potting well; without mounting ears
- C – Plug, straight without potting well; with mounting ears
- D – Plug, straight without potting well and mounting ears

BODY MATERIAL
2 – Polyphenylene sulfide (PPS)

SIZE
011 – 11 contacts
023 – 23 contacts
035 – 35 contacts
047 – 47 contacts
059 – 59 contacts
071 – 71 contacts
080 – 80 contacts
104 – 104 contacts

TERMINATION

- 1 – Crimp with 28-30 AWG contacts
- 3 – Crimp with 22-26 AWG contacts

WIRING
XX – See page 125 for codes

HARDWARE

- 0256 – None
- 5500 – Guide set
- 5501-5568 – Guide set, polarized (See page 133 for codes)
- 5570 – Guide set, polarized - Same as above, but without Loctite® (customer-keyed)
- 5700 – Two guide pins
- 5800 – Two guide sockets
- 2900 – Fixed jackset
- 3000 – Fixed jackset, reversed
- 1900 – Two fixed jackscrews
- 2000 – Two fixed jackscrews
- 5900 – Hex turning jackset, 0.200"
- 6000 – Hex turning jackset reversed, 0.200"
- 6100 – Two hex turning jackscrews, 0.200"
- 6200 – Two hex turning jackscrews, 0.200"
- 6400 – Turning jackset, 0.490"
- 6500 – Turning jackset reversed, 0.490"
- 6600 – Two turning jackscrews, 0.490"
- 6700 – Two turning jackscrews, 0.490"

Notes:

- If potting well is used with a pre-wired connector, it will be potted and not repairable.
- If potting well is not used with a pre-wired connector, it will not be potted.
- Contacts that are not potted in place can be removed and replaced only once.
- See page 142 for crimp instructions, contact insertion and contact removal tools.

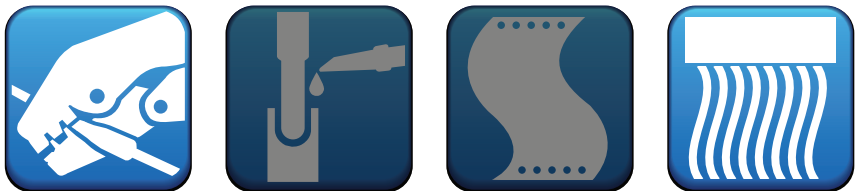
PLEASE CONSULT THE AIRBORN WEBSITE FOR THE LATEST REVISION OF THIS DOCUMENT PRIOR TO BEGINNING ANY DESIGN WORK.

CONTACT / CONTACT

Mates with

- RM322 & RM342 — Three-row, straight receptacle
- RM362 & RM382 — Three-row, right-angle receptacle
- RA3 — Three-row, I/O receptacle
- RM32 — Three-row, I/O receptacle

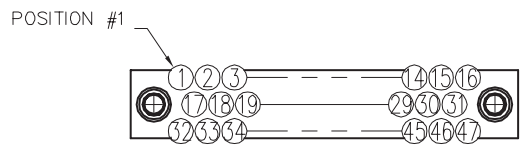
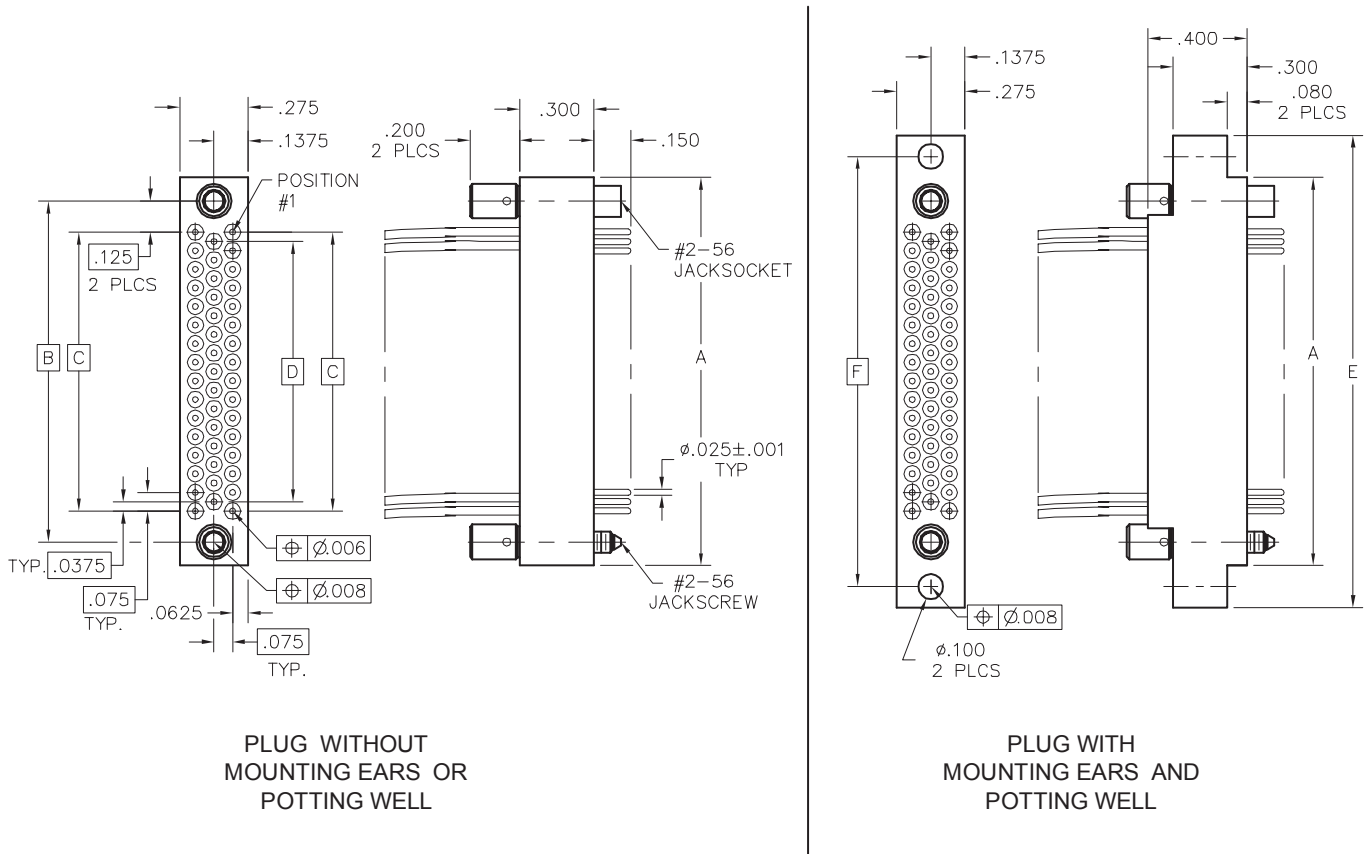
Terminations





RA – Three-Row, I/O, Crimped-Wire Plug

Plastic ▪ 3-Row ▪ 11-104 Contacts



PIN IDENTIFICATION PATTERN
 VIEWED FROM TERMINATION SIDE
 (EXAMPLE: 47 POSITION CONNECTOR)

DIMENSIONS						
SIZE	A	B	C	D	E	F
11	.665	.475	.225	.150	1.005	.835
23	.965	.775	.525	.450	1.305	1.135
35	1.265	1.075	.825	.750	1.605	1.435
47	1.565	1.375	1.125	1.050	1.905	1.735
59	1.865	1.675	1.425	1.350	2.205	2.035
71	2.165	1.975	1.725	1.650	2.505	2.335
80	2.390	2.200	1.950	1.875	2.730	2.560
104	2.990	2.800	2.550	2.475	3.330	3.160

REPLACEMENT CONTACTS:

- RA000-001-100-0000
- RA000-001-300-0000

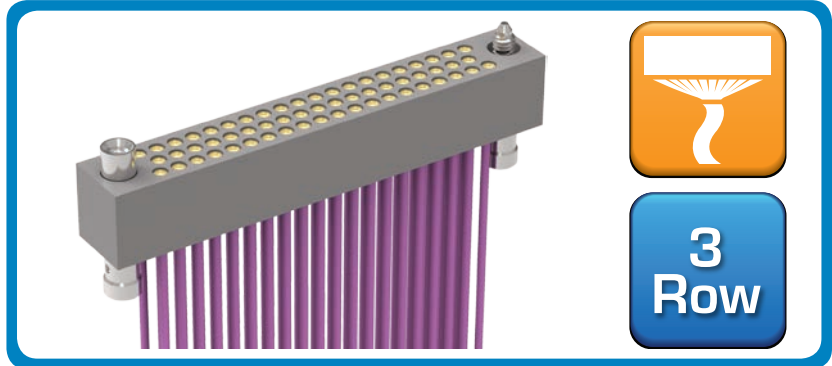
SEE PAGE 140 & 141 FOR CRIMP INSTRUCTIONS, CONTACT INSERTION AND CONTACT REMOVAL TOOLS.

PLEASE CONSULT THE AIRBORN WEBSITE FOR THE LATEST REVISION OF THIS DOCUMENT PRIOR TO BEGINNING ANY DESIGN WORK.

CONTACT / CONTACT



R Series High-Density 0.075" (1.905mm)



RA – Three-Row, I/O, Crimped-Wire Receptacle

Contact Spacing: 0.075" (1.91 mm)
 R-Series rugged & reliable I/O connectors are available with pre-terminated wires.

Sample Part Number Format: RA3H2-080-4EA-5900



SERIES
 0.075" Plastic Rectangular I/O Connector (Receptacle)

ROWS
 3 – 3-Row (11-104 contacts)

STYLE
 E – Receptacle, straight with potting well and mounting ears
 F – Receptacle, straight with potting well; without mounting ears
 G – Receptacle, straight without potting well; with mounting ears
 H – Receptacle, straight without potting well and mounting ears

BODY MATERIAL
 2 – Polyphenylene sulfide (PPS)

SIZE
 011 – 11 contacts
 023 – 23 contacts
 035 – 35 contacts
 047 – 47 contacts
 059 – 59 contacts
 071 – 71 contacts
 080 – 80 contacts
 104 – 104 contacts

WIRING
 XX – See page 125 for codes

TERMINATION
 2 – Crimp with 28-30 AWG contacts
 4 – Crimp with 22-26 AWG contacts

HARDWARE
 0256 – None
 5500 – Guide set
 5501-5568 – Guide set, polarized (See page 133)
 5570 – Guide set, polarized - Same as above, but without Loctite® (customer-keyed)
 5700 – Two guide pins
 5800 – Two guide sockets
 2900 – Fixed jackset
 3000 – Fixed jackset, reversed
 1900 – Two fixed jackscrews
 2000 – Two fixed jackscrews
 5900 – Hex turning jackset, 0.200"
 6000 – Hex turning jackset reversed, 0.200"
 6100 – Two hex turning jackscrews, 0.200"
 6200 – Two hex turning jackscrews, 0.200"
 6400 – Turning jackset, 0.490"
 6500 – Turning jackset reversed, 0.490"
 6600 – Two turning jackscrews, 0.490"
 6700 – Two turning jackscrews, 0.490"

Notes:

- If potting well is used with a pre-wired connector, it will be potted and not repairable.
- If potting well is not used with a pre-wired connector, it will not be potted.
- Contacts that are not potted in place can be removed and replaced only once.
- See page 142 for crimp instructions, contact insertion and contact removal tools.

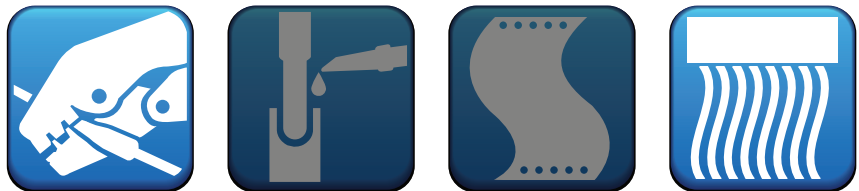
PLEASE CONSULT THE AIRBORN WEBSITE FOR THE LATEST REVISION OF THIS DOCUMENT PRIOR TO BEGINNING ANY DESIGN WORK.

CONTACT / CONTACT

Mates with

- RM312 & RM332 — Three-row, straight plug
- RM352 & RM372 — Three-row, right-angle plug
- RA3 — Three-row, I/O plug
- RM312 & RM332 — Three-row, I/O plug

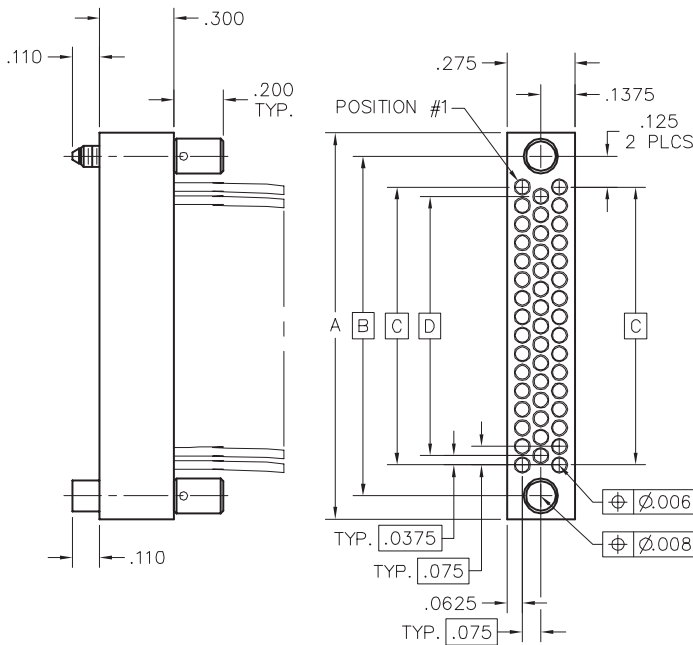
Terminations



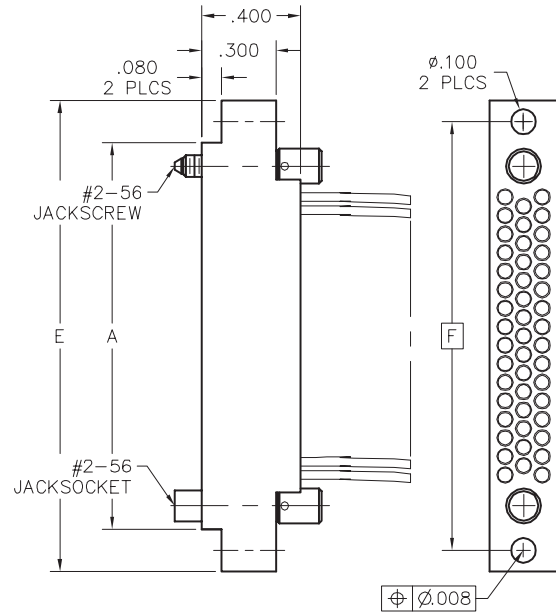


RA – Three-Row, I/O, Crimped-Wire Receptacle

Plastic ▪ 3-Row ▪ 11-104 Contacts

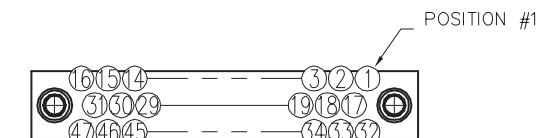


RECEPTACLE WITHOUT
 MOUNTING EARS OR
 POTTING WELL



RECEPTACLE WITH
 MOUNTING EARS AND
 POTTING WELL

DIMENSIONS						
SIZE	A	B	C	D	E	F
11	.665	.475	.225	.150	1.005	.835
23	.965	.775	.525	.450	1.305	1.135
35	1.265	1.075	.825	.750	1.605	1.435
47	1.565	1.375	1.125	1.050	1.905	1.735
59	1.865	1.675	1.425	1.350	2.205	2.035
71	2.165	1.975	1.725	1.650	2.505	2.335
80	2.390	2.200	1.950	1.875	2.730	2.560
104	2.990	2.800	2.550	2.475	3.330	3.160



PIN IDENTIFICATION PATTERN
 VIEWED FROM TERMINATION SIDE
 (EXAMPLE: 47 POSITION CONNECTOR)

REPLACEMENT CONTACTS:

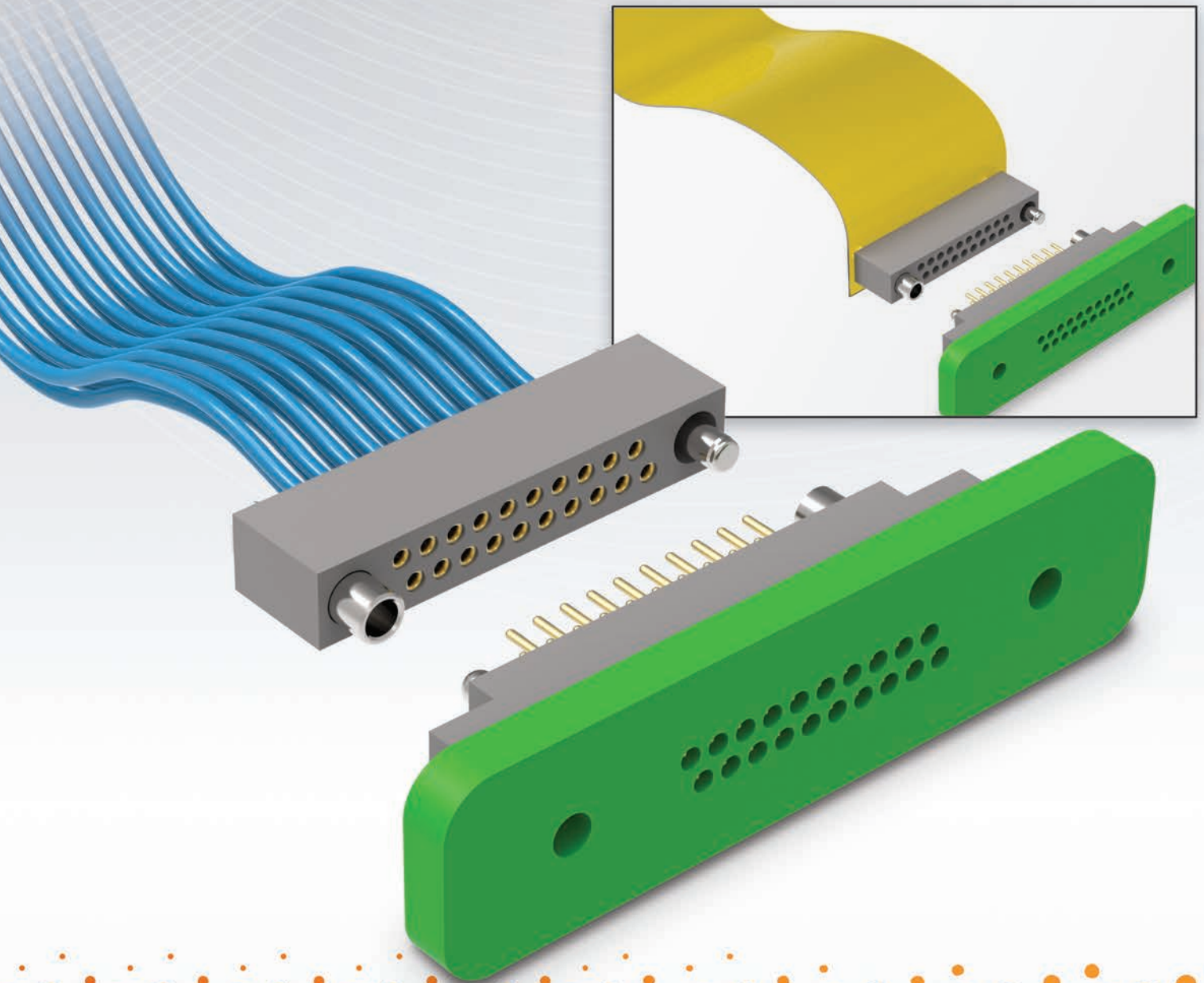
- RA000-001-200-0000
- RA000-001-400-0000

SEE PAGE 140 & 141 FOR CRIMP INSTRUCTIONS, CONTACT INSERTION AND CONTACT REMOVAL TOOLS.

PLEASE CONSULT THE AIRBORN WEBSITE FOR THE LATEST REVISION OF THIS DOCUMENT PRIOR TO BEGINNING ANY DESIGN WORK.

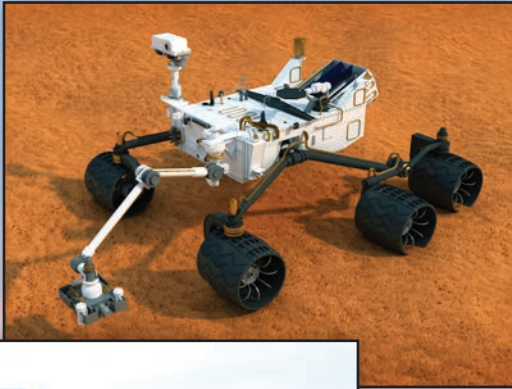


Customer Terminated I/O Connectors



R-Series Connectors

0.075" (1.905 mm)



AirBorn offers the widest array of I/O connectors available, with crimp-removable, solder-cup or single-layer flex termination options available.

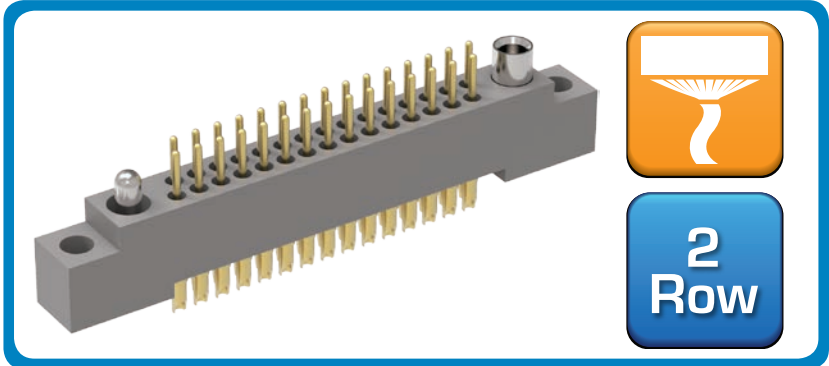
Your RM model I/O connector is customer terminated or AirBorn can ship to your specified termination level before leaving the factory.

- 10-604 contacts
- Cable & single-layer flex circuit compatible
- RM connectors are terminated by customer or can be completed to customer specified levels

Now you're **AirBorn Connected**[®]



R Series High-Density 0.075" (1.905mm)



RM – Two-Row, I/O Plug

Contact Spacing: 0.075" (1.91 mm)

R-Series rugged & reliable I/O connectors are available with crimp-removable, solder-cup or single-layer flex termination options.

Sample Part Number Format: RM212-020-111-5500



SERIES	ROWS	STYLE	BODY MATERIAL	SIZE	PLATING	TERMINATION	HARDWARE	POLARIZATION
0.075" Plastic Rectangular Connector (Plug)	2 – 2-Row (10-100 contacts)	1 – Plug, straight with mounting ears 3 – Plug, straight without mounting ears	2 – Polyphenylene sulfide (PPS)	010 – 10 contacts 020 – 20 contacts 030 – 30 contacts 040 – 40 contacts 050 – 50 contacts 060 – 60 contacts 070 – 70 contacts 080 – 80 contacts 090 – 90 contacts 100 – 100 contacts	1 – Gold	11 – Solder cup 15 – Flex, 0.093" x 0.017" Ø	0256 – None 55 – Guide set 57 – Two guide pins 58 – Two guide sockets 29 – Fixed jackset 30 – Fixed jackset, reversed 19 – Two fixed jackscrews 20 – Two fixed jacksockets 59 – Hex turning jackset, 0.200" 60 – Hex turning jackset reversed, 0.200" 61 – Two hex turning jackscrews, 0.200" 62 – Two hex turning jacksockets, 0.200" 64 – Turning jackset, 0.490"	00 – None XX – See page 140 for codes 70 – Same as above, but without Loctite® (customer-keyed)

Notes:

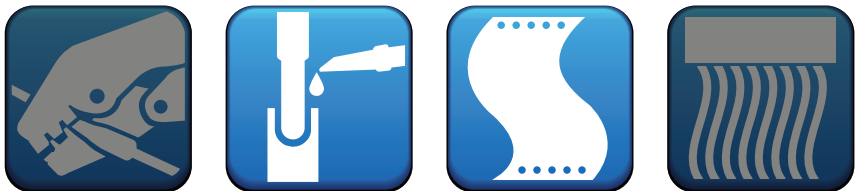
‡ Not RoHS-compliant

PLEASE CONSULT THE AIRBORN WEBSITE FOR THE LATEST REVISION OF THIS DOCUMENT PRIOR TO BEGINNING ANY DESIGN WORK.

Mates with

- RM222 & RM242 — Two-row, straight receptacle
- RM262 & RM282 — Two-row, right-angle receptacle
- RA2 — Two-row, I/O receptacle

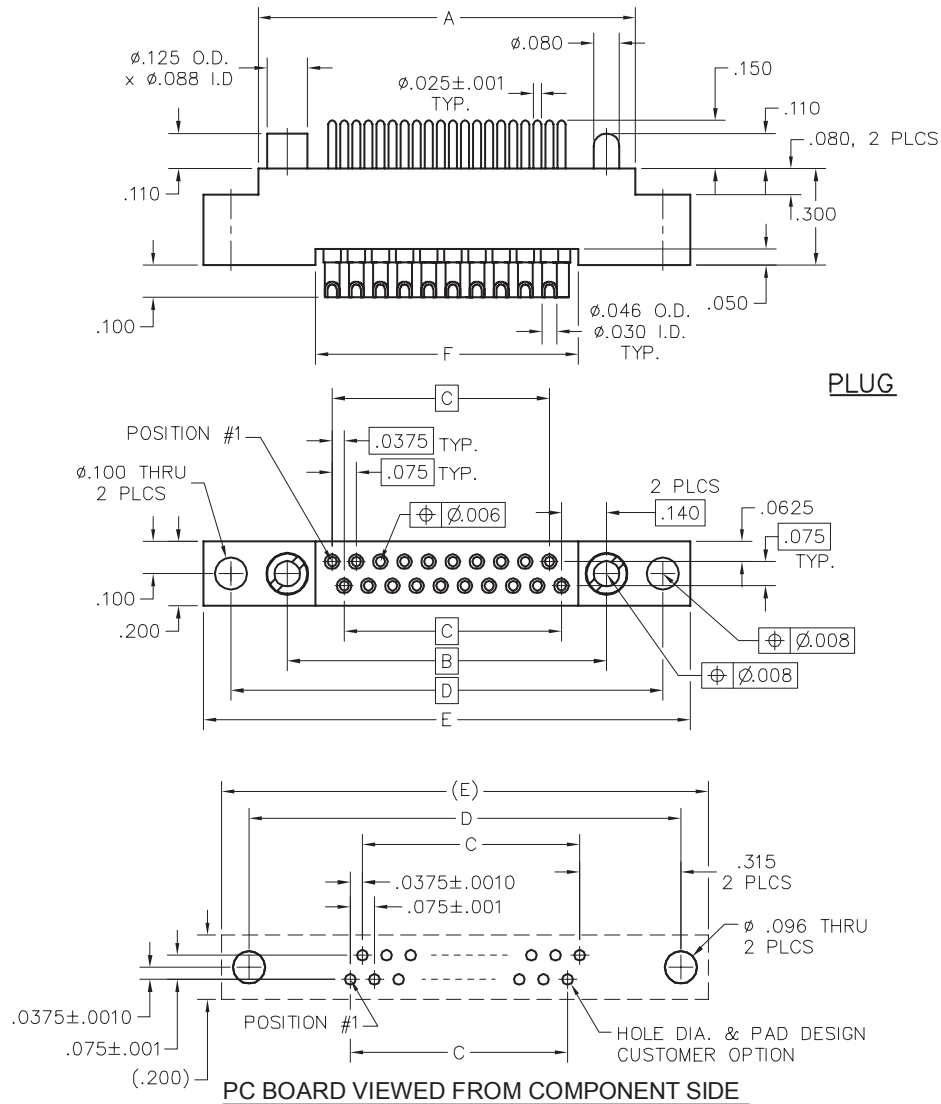
Terminations



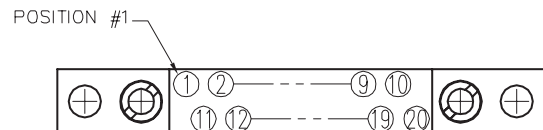


RM – Two-Row, I/O Plug

Plastic ▪ 2-Row ▪ 10-100 Contacts



DIMENSIONS						
SIZE	A	B	C	D	E	F
10	.797	.617	.300	.967	1.137	.442
20	1.172	.992	.675	1.342	1.512	.817
30	1.547	1.367	1.050	1.717	1.887	1.192
40	1.922	1.742	1.425	2.092	2.262	1.567
50	2.297	2.117	1.800	2.467	2.637	1.942
60	2.672	2.492	2.175	2.842	3.012	2.317
70	3.047	2.867	2.550	3.217	3.387	2.692
80	3.422	3.242	2.925	3.592	3.762	3.067
90	3.797	3.617	3.300	3.967	4.137	3.442
100	4.172	3.992	3.675	4.342	4.512	3.817

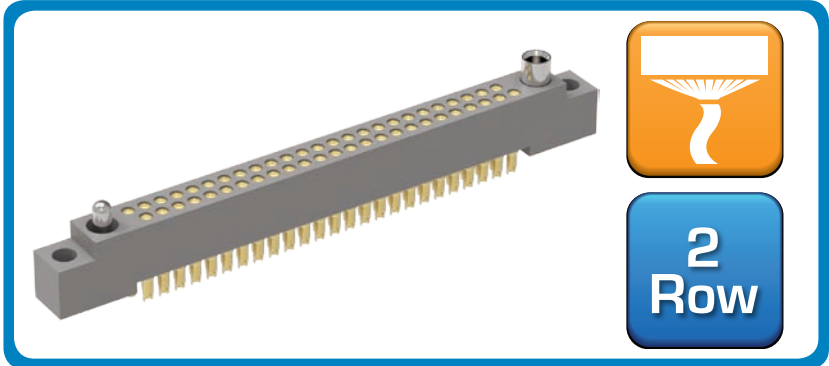


PIN IDENTIFICATION PATTERN
VIEWED FROM TERMINATION SIDE
(EXAMPLE: 20 POSITION CONNECTOR)

PLEASE CONSULT THE AIRBORN WEBSITE FOR THE LATEST REVISION OF THIS DOCUMENT PRIOR TO BEGINNING ANY DESIGN WORK.



R Series High-Density 0.075" (1.905mm)



RM – Two-Row, I/O Receptacle

Contact Spacing: 0.075" (1.91 mm)

R-Series rugged & reliable I/O connectors are available with crimp-removable, solder-cup or single-layer flex termination options.

Sample Part Number Format: RM222-100-241-5500



SERIES	ROWS	STYLE	BODY MATERIAL	SIZE	PLATING	TERMINATION	HARDWARE	POLARIZATION
0.075" Plastic Rectangular Connector (Receptacle)	2 – 2-Row (10-100 contacts)	2 – Receptacle, straight with mounting ears 4 – Receptacle, straight without mounting ears	2 – Polyphenylene sulfide (PPS)	010 – 10 contacts 020 – 20 contacts 030 – 30 contacts 040 – 40 contacts 050 – 50 contacts 060 – 60 contacts 070 – 70 contacts 080 – 80 contacts 090 – 90 contacts 100 – 100 contacts	1 – Gold	24 – Solder cup 25 – Flex circuit, 0.093" x 0.017" Ø *	0256 – None 55 – Guide set 57 – Two guide pins 58 – Two guide sockets 29 – Fixed jackset 30 – Fixed jackset, reversed 19 – Two fixed jackscrews 20 – Two fixed jackscrews 59 – Hex turning jackset, 0.200" 60 – Hex turning jackset reversed, 0.200" 61 – Two hex turning jackscrews, 0.200" 62 – Two hex turning jackscrews, 0.200" 64 – Turning jackset, 0.490"	00 – None XX – See page 140 for codes 70 – Same as above, but without Loctite® (customer-keyed)

Notes:

- ‡ Not RoHS-compliant
- * Pre-tin is not available with flex circuit termination.

PLEASE CONSULT THE AIRBORN WEBSITE FOR THE LATEST REVISION OF THIS DOCUMENT PRIOR TO BEGINNING ANY DESIGN WORK.

CONTACT / CONTACT

Mates with

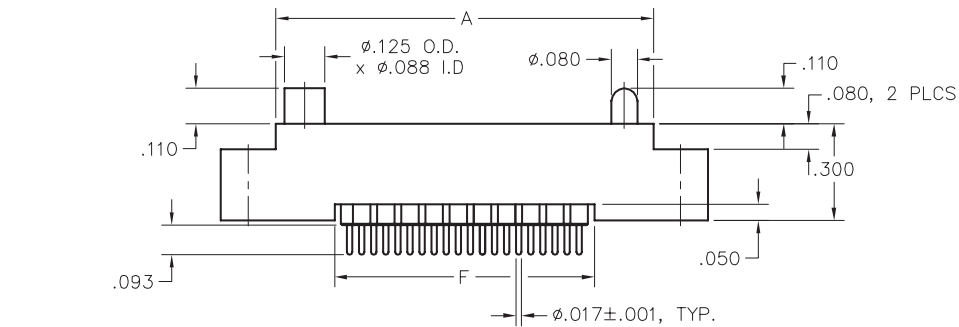
- RM212 & RM232 — Two-row, straight plug
- RM252 & RM272 — Two-row, right-angle plug
- RM212 & RM232 — Two-row, I/O plug

Terminations

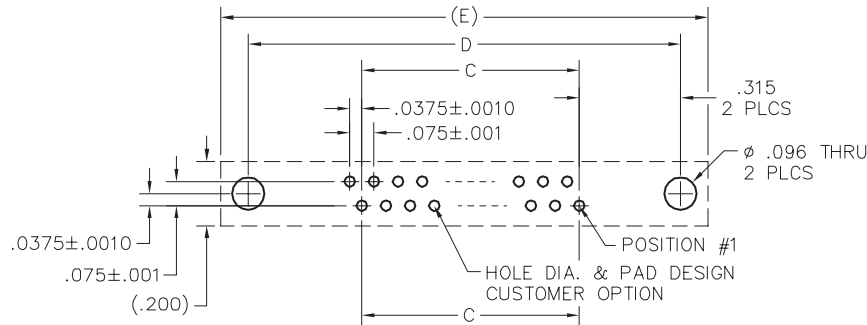
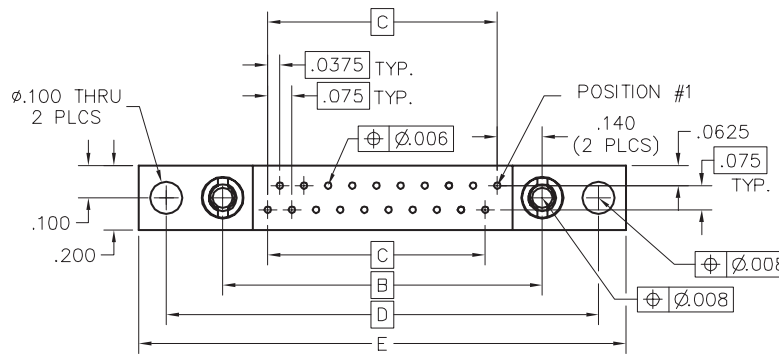


RM – Two-Row, I/O Receptacle

Plastic ▪ 2-Row ▪ 10-100 Contacts

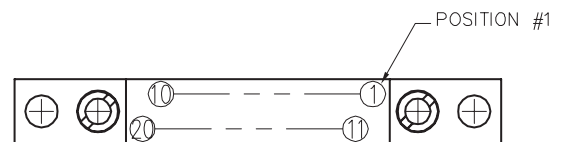


RECEPTACLE



PC BOARD VIEWED FROM COMPONENT SIDE

DIMENSIONS						
SIZE	A	B	C	D	E	F
10	.797	.617	.300	.967	1.137	.432
20	1.172	.992	.675	1.342	1.512	.807
30	1.547	1.367	1.050	1.717	1.887	1.182
40	1.922	1.742	1.425	2.092	2.262	1.557
50	2.297	2.117	1.800	2.467	2.637	1.932
60	2.672	2.492	2.175	2.842	3.012	2.307
70	3.047	2.867	2.550	3.217	3.387	2.682
80	3.422	3.242	2.925	3.592	3.762	3.057
90	3.797	3.617	3.300	3.967	4.137	3.432
100	4.172	3.992	3.675	4.342	4.512	3.807



PIN IDENTIFICATION PATTERN
 VIEWED FROM TERMINATION SIDE
 (EXAMPLE: 20 POSITION CONNECTOR)

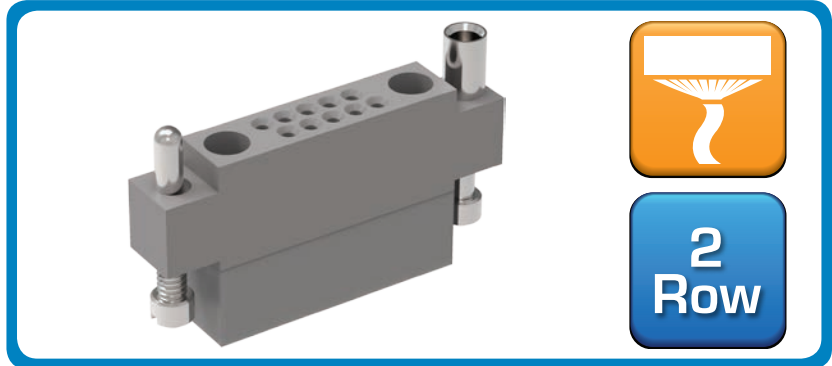
PLEASE CONSULT THE AIRBORN WEBSITE FOR THE LATEST REVISION OF THIS DOCUMENT PRIOR TO BEGINNING ANY DESIGN WORK.



R Series High-Density 0.075" (1.905mm)

RM – Two-Row, I/O, Crimp-Removable Receptacle

Contact Spacing: 0.075" (1.91 mm)
 R-Series rugged & reliable I/O connectors are available with crimp-removable, solder-cup or single-layer flex termination options.



Sample Part Number Format: RM222-020-581-5500



SERIES
 0.075" Plastic Rectangular Connector (Receptacle)

ROWS
 2 – 2-Row (10-100 contacts)

STYLE
 2 – Receptacle, straight with mounting ears
 4 – Receptacle, straight without mounting ears

BODY MATERIAL
 2 – Polyphenylene sulfide (PPS)

SIZE
 010 – 10 contacts
 020 – 20 contacts
 030 – 30 contacts
 040 – 40 contacts
 050 – 50 contacts
 060 – 60 contacts
 070 – 70 contacts
 080 – 80 contacts
 090 – 90 contacts
 100 – 100 contacts

PLATING
 0 – None (Use with Termination option '00', only)
 1 – Gold

TERMINATION
 00 – Contacts not supplied
 57 – Crimp-removable (20-22 AWG)*
 58 – Crimp-removable (24-26 AWG)*
 59 – Crimp-removable (28-30 AWG)*

POLARIZATION
 00 – None
 XX – See page 140 for codes
 70 – Same as above, but without Loctite® (customer-keyed)

HARDWARE
 0256 – None
 55 – Guide set
 57 – Two guide pins
 58 – Two guide sockets
 29 – Fixed jackset
 30 – Fixed jackset, reversed
 19 – Two fixed jackscrews
 20 – Two fixed jacksockets
 59 – Hex turning jackset, 0.200"
 60 – Hex turning jackset reversed, 0.200"
 61 – Two hex turning jackscrews, 0.200"
 62 – Two hex turning jacksockets, 0.200"
 64 – Turning jackset, 0.490"

Notes:

- * Full compliment of crimp-removable sockets packaged with connectors, unless termination type is 000
- Crimp tool: AirBorn part number CDG4601, MIL-SPEC M22520/2-01
- Crimp positioner: AirBorn part number CDG4602 (24-26 & 28-10 AWG); CDG4603 (20-22 AWG)
- Crimp removal tool: AirBorn part number CDG8161
- Crimp contact part number on next page

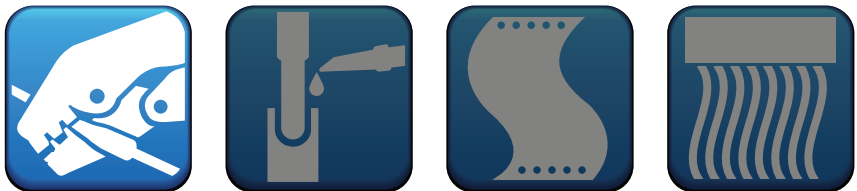
PLEASE CONSULT THE AIRBORN WEBSITE FOR THE LATEST REVISION OF THIS DOCUMENT PRIOR TO BEGINNING ANY DESIGN WORK.

CONTACT / CONTACT

Mates with

- RM212 & RM232 — Two-row, straight plug
- RM252 & RM272 — Two-row, right-angle plug
- RM212 — Two-row, I/O plug

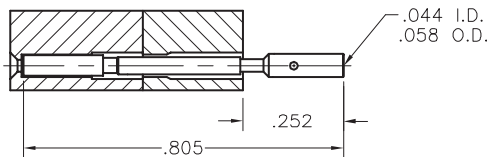
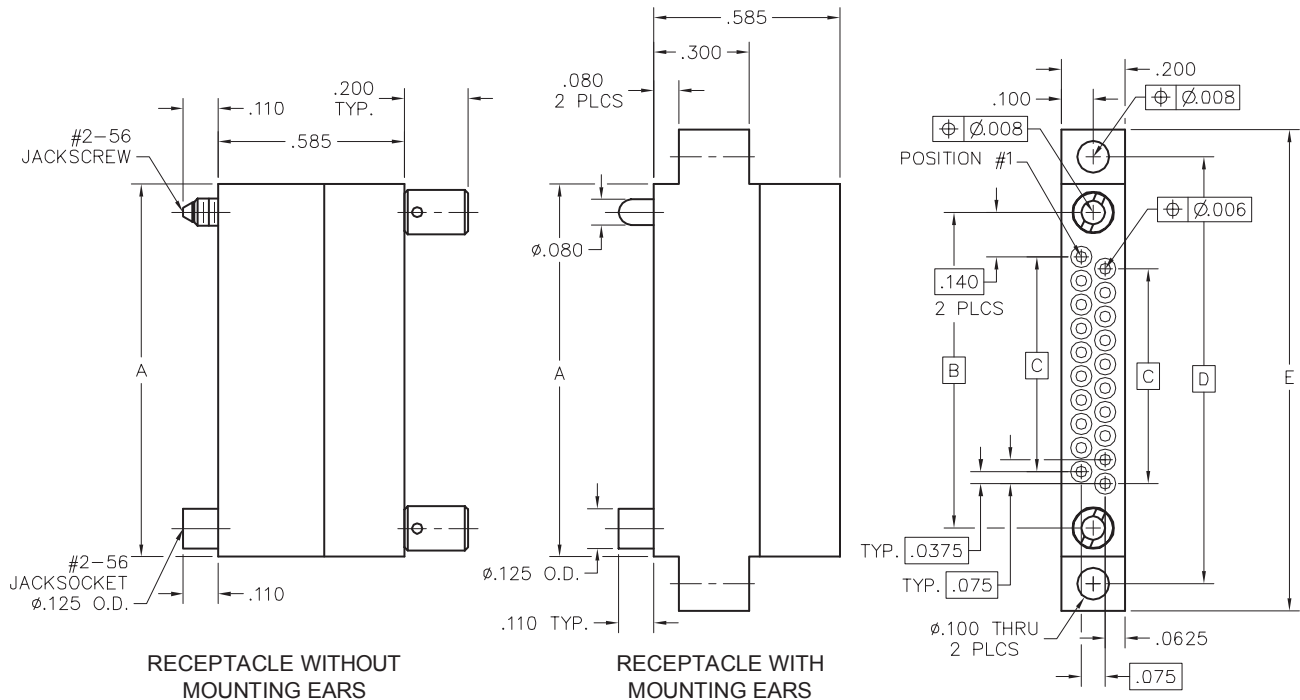
Terminations



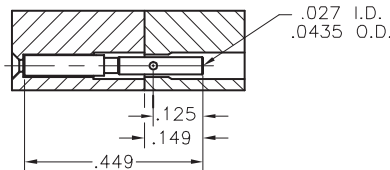


RM – Two-Row, I/O, Crimp-Removable Receptacle

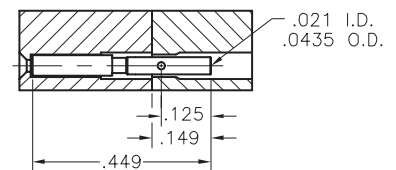
Plastic ▪ 2-Row ▪ 10-100 Contacts



20-22 AWG



24-26 AWG



28-30 AWG

NOTE:

When using crimp contacts with 20 gage barrel, barrel must be cut off prior to removing contact from connector body.

DIMENSIONS						
SIZE	A	B	C	D	E	F
10	.797	.617	.300	.967	1.137	.442
20	1.172	.992	.675	1.342	1.512	.817
30	1.547	1.367	1.050	1.717	1.887	1.192
40	1.922	1.742	1.425	2.092	2.262	1.567
50	2.297	2.117	1.800	2.467	2.637	1.942
60	2.672	2.492	2.175	2.842	3.012	2.317
70	3.047	2.867	2.550	3.217	3.387	2.692
80	3.422	3.242	2.925	3.592	3.762	3.067
90	3.797	3.617	3.300	3.967	4.137	3.442
100	4.172	3.992	3.675	4.342	4.512	3.817

CRIMP REMOVABLE CONTACTS	
SIZE	PART NUMBER
20-22 AWG	RM200-000-571-0000
24-26 AWG	RM200-000-581-0000
28-30 AWG	RM200-000-591-0000



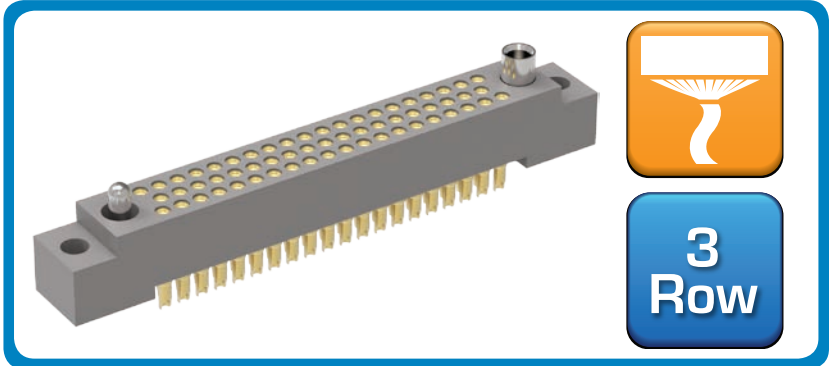
PIN IDENTIFICATION PATTERN
 VIEWED FROM TERMINATION SIDE
 (EXAMPLE: 20 POSITION CONNECTOR)

PLEASE CONSULT THE AIRBORN WEBSITE FOR THE LATEST REVISION OF THIS DOCUMENT PRIOR TO BEGINNING ANY DESIGN WORK.

CONTACT / CONTACT



R Series High-Density 0.075" (1.905mm)



RM – Three-Row, I/O Receptacle

Contact Spacing: 0.075" (1.91 mm)

R-Series rugged & reliable I/O connectors are available with crimp-removable, solder-cup or single-layer flex termination options.

Sample Part Number Format: RM322-152-241-5500

RM	3		2			1		
SERIES 0.075" Plastic Rectangular Connector (Receptacle)	ROWS 3 – 3-Row (11-206 contacts)	STYLE 2 – Receptacle, straight with mounting ears 4 – Receptacle, straight without mounting ears	BODY MATERIAL 2 – Polyphenylene sulfide (PPS)	SIZE 011 – 11 contacts 023 – 23 contacts 035 – 35 contacts 047 – 47 contacts 059 – 59 contacts 071 – 71 contacts 080 – 80 contacts 092 – 92 contacts 104 – 104 contacts 122 – 122 contacts 140 – 140 contacts 152 – 152 contacts 182 – 182 contacts 206 – 206 contacts	PLATING 1 – Gold	TERMINATION 24 – Solder cup 25 – Flex circuit, 0.093" x 0.017" Ø*	HARDWARE 0256 – None 55 – Guide set 57 – Two guide pins 58 – Two guide sockets 29 – Fixed jackset 30 – Fixed jackset, reversed 19 – Two fixed jackscrews 20 – Two fixed jacksockets 59 – Hex turning jackset, 0.200" 60 – Hex turning jackset reversed, 0.200" 61 – Two hex turning jackscrews, 0.200" 62 – Two hex turning jacksockets, 0.200" 64 – Turning jackset, 0.490"	POLARIZATION 00 – None XX – See page 140 for codes 70 – Same as above, but without Loctite® (customer-keyed)

Notes:

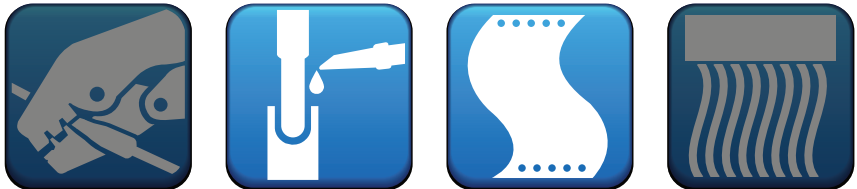
- ‡ Not RoHS-compliant
- * Plated thru-hole is not available with flex circuit termination.

PLEASE CONSULT THE AIRBORN WEBSITE FOR THE LATEST REVISION OF THIS DOCUMENT PRIOR TO BEGINNING ANY DESIGN WORK.

Mates with

- RM312 & RM332 — Three-row, straight plug
- RM352 & RM372 — Three-row, right-angle plug
- RA3 — Three-row, I/O plug
- RM312 & RM332 — Three-row, I/O plug

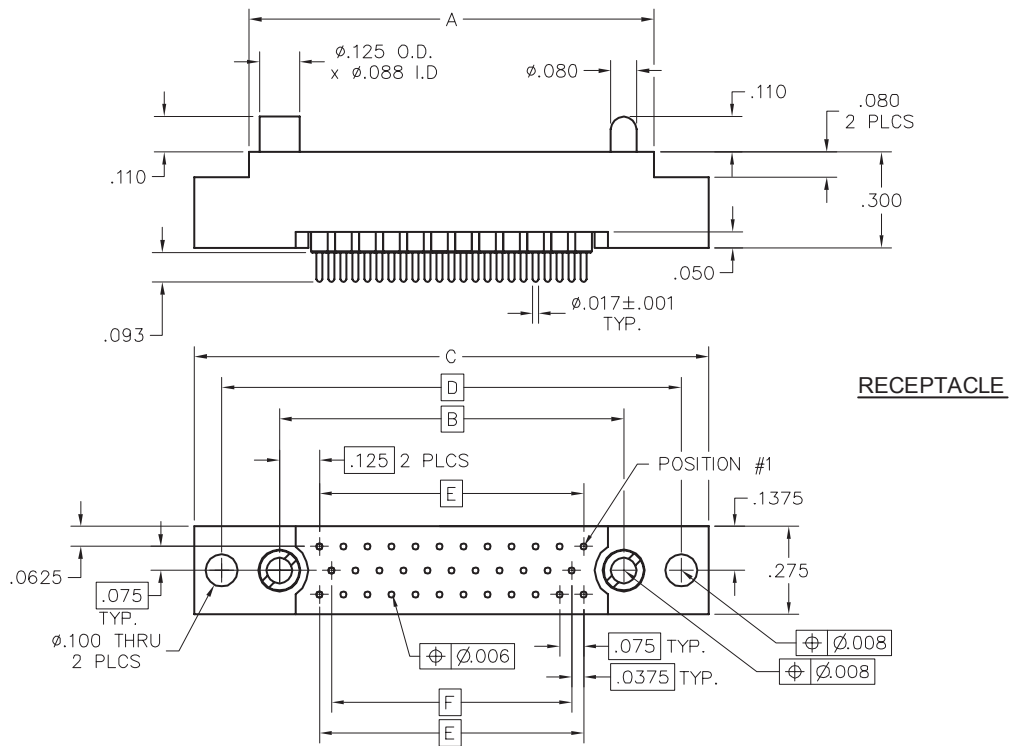
Terminations



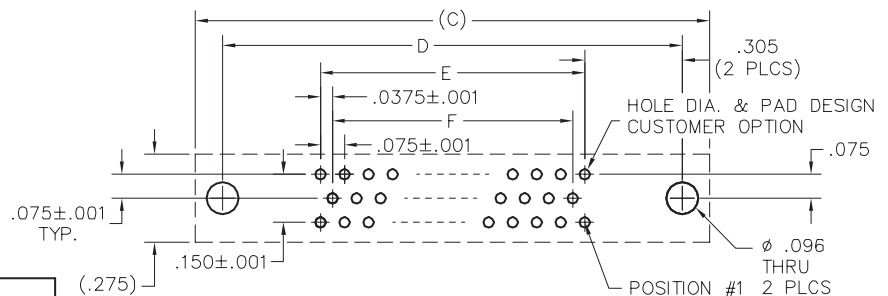


RM – Three-Row, I/O Receptacle

Plastic ▪ 3-Row ▪ 11-206 Contacts

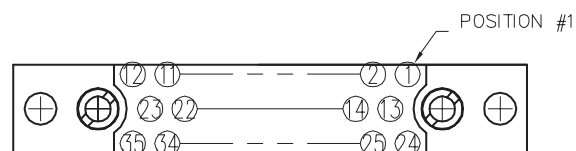


RECEPTACLE



PC BOARD VIEWED FROM COMPONENT SIDE

DIMENSIONS						
SIZE	A	B	C	D	E	F
11	.665	.475	1.005	.835	.225	.150
23	.965	.775	1.305	1.135	.525	.450
35	1.265	1.075	1.605	1.435	.825	.750
47	1.565	1.375	1.905	1.735	1.125	1.050
59	1.865	1.675	2.205	2.035	1.425	1.350
71	2.165	1.975	2.505	2.335	1.725	1.650
80	2.390	2.200	2.730	2.560	1.950	1.875
92	2.690	2.500	3.030	2.860	2.250	2.175
104	2.990	2.800	3.330	3.160	2.550	2.475
122	3.440	3.250	3.780	3.610	3.000	2.925
140	3.890	3.700	4.230	4.060	3.450	3.375
152	4.190	4.000	4.530	4.360	3.750	3.675
182	4.940	4.750	5.280	5.110	4.500	4.425
206	5.540	5.350	5.880	5.710	5.100	5.025

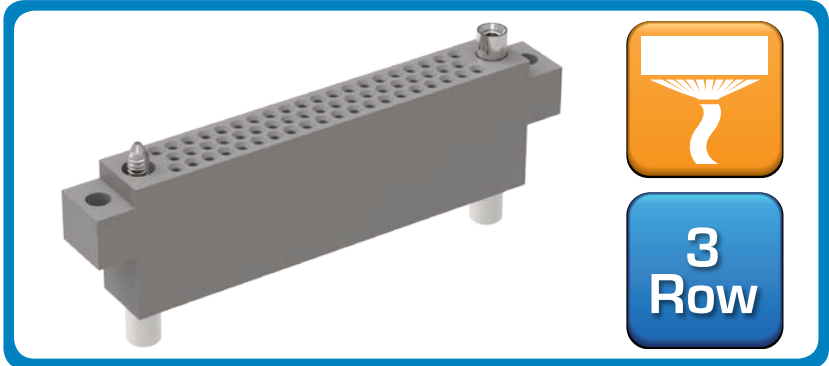


PIN IDENTIFICATION PATTERN
VIEWED FROM TERMINATION SIDE
(EXAMPLE: 35 POSITION CONNECTOR)

PLEASE CONSULT THE AIRBORN WEBSITE FOR THE LATEST REVISION OF THIS DOCUMENT PRIOR TO BEGINNING ANY DESIGN WORK.



R Series High-Density 0.075" (1.905mm)



RM – Three-Row, I/O, Crimp-Removable Receptacle

Contact Spacing: 0.075" (1.91 mm)

R-Series rugged & reliable I/O connectors are available with crimp-removable, solder-cup or single-layer flex termination options.

Sample Part Number Format: RM342-080-181-5900



SERIES	ROWS	STYLE	BODY MATERIAL	SIZE	PLATING	TERMINATION	HARDWARE	POLARIZATION
0.075" Plastic Rectangular Connector (Receptacle)	3 – 3-Row (10-100 contacts)	2 – Receptacle, straight with mounting ears 4 – Receptacle, straight without mounting ears	2 – Polyphenylene sulfide (PPS)	011 – 11 contacts 023 – 23 contacts 035 – 35 contacts 047 – 47 contacts 059 – 59 contacts 071 – 71 contacts 080 – 80 contacts	0 – None (Use with Termination option '00', only) 1 – Gold	00 – Contacts not supplied 57 – Crimp-removable (20-22 AWG)* 58 – Crimp-removable (24-26 AWG)* 59 – Crimp-removable (28-30 AWG)*	0256 – None 55 – Guide set 57 – Two guide pins 58 – Two guide sockets 29 – Fixed jackset 30 – Fixed jackset, reversed 19 – Two fixed jackscrews 20 – Two fixed jacksockets 59 – Hex turning jackset, 0.200" 60 – Hex turning jackset reversed, 0.200" 61 – Two hex turning jackscrews, 0.200" 62 – Two hex turning jackscrews, 0.200" 64 – Turning jackset, 0.490"	00 – None XX – See page 140 for codes 70 – Same as above, but without Loctite® (customer-keyed)

Notes:

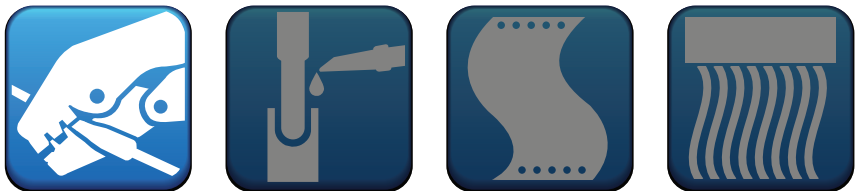
- * Full compliment of crimp-removable sockets packaged with connectors, unless termination type is 000
- Crimp tool: AirBorn part number CDG4601, MIL-SPEC M22520/2-01
- Crimp positioner: AirBorn part number CDG4602 (24-26 & 28-10 AWG); CDG4603 (20-22 AWG)
- Crimp removal tool: AirBorn part number CDG8161
- Crimp contact part number on next page

PLEASE CONSULT THE AIRBORN WEBSITE FOR THE LATEST REVISION OF THIS DOCUMENT PRIOR TO BEGINNING ANY DESIGN WORK.

Mates with

- RM312 & RM332 — Three-row, straight plug
- RM352 & RM372 — Three-row, right-angle plug
- RA3 — Three-row, I/O plug
- RM312 — Three-row, I/O plug

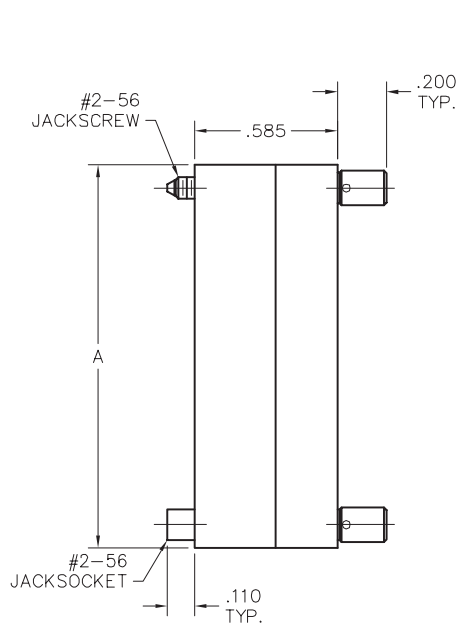
Terminations



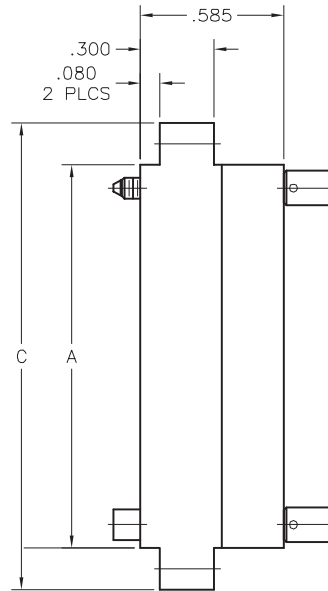


RM – Three-Row, I/O, Crimp-Removable Receptacle

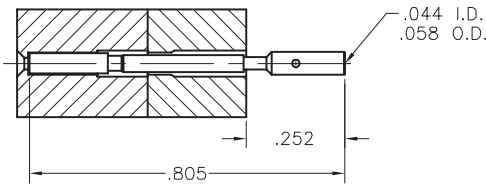
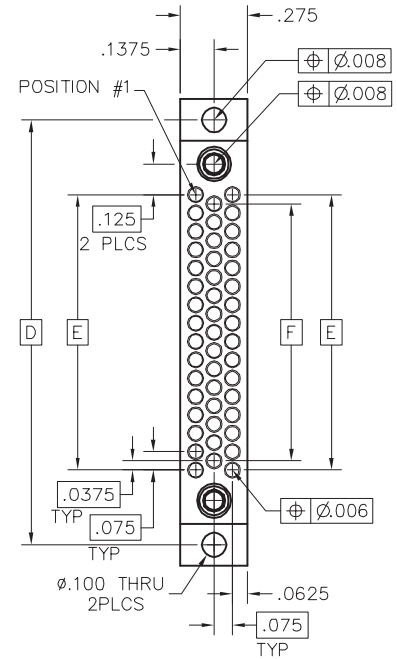
Plastic ▪ 3-Row ▪ 11-80 Contacts



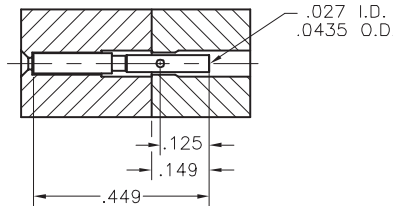
RECEPTACLE WITHOUT MOUNTING EARS



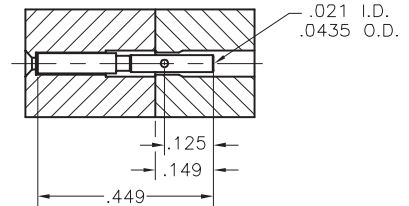
RECEPTACLE WITH MOUNTING EARS



20-22 AWG



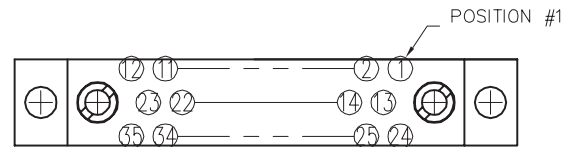
24-26 AWG



28-30 AWG

NOTE:

When using crimp contacts with 20 gage barrel, barrel must be cut off prior to removing contact from connector body.



PIN IDENTIFICATION PATTERN
 VIEWED FROM TERMINATION SIDE
 (EXAMPLE: 35 POSITION CONNECTOR)

DIMENSIONS						
SIZE	A	B	C	D	E	F
11	.665	.475	1.005	.835	.225	.150
23	.965	.775	1.305	1.135	.525	.450
35	1.265	1.075	1.605	1.435	.825	.750
47	1.565	1.375	1.905	1.735	1.125	1.050
59	1.865	1.675	2.205	2.035	1.425	1.350
71	2.165	1.975	2.505	2.335	1.725	1.650
80	2.390	2.200	2.730	2.560	1.950	1.875

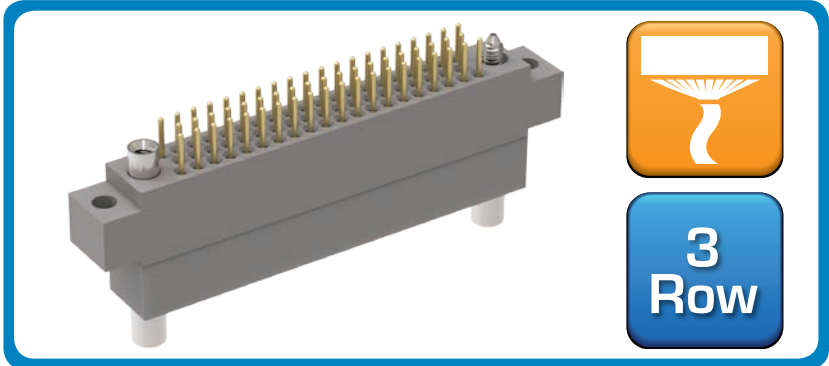
CRIMP REMOVABLE CONTACTS	
SIZE	PART NUMBER
20-22 AWG	RM300-000-571-0000
24-26 AWG	RM300-000-581-0000
28-30 AWG	RM300-000-591-0000

PLEASE CONSULT THE AIRBORN WEBSITE FOR THE LATEST REVISION OF THIS DOCUMENT PRIOR TO BEGINNING ANY DESIGN WORK.

CONTACT / CONTACT



R Series High-Density 0.075" (1.905mm)



RM – Three-Row, I/O, Crimp-Removable Plug

Contact Spacing: 0.075" (1.91 mm)

R-Series rugged & reliable I/O connectors are available with crimp-removable, solder-cup or single-layer flex termination options.

Sample Part Number Format: RM332-080-581-5900



SERIES
 0.075" Plastic Rectangular Connector (Plug)

ROWS
 3 – 3-Row (10-100 contacts)

STYLE
 1 – Plug, straight with mounting ears
 3 – Plug, straight without mounting ears

BODY MATERIAL
 2 – Polyphenylene sulfide (PPS)

SIZE
 011 – 11 contacts
 023 – 23 contacts
 035 – 35 contacts
 047 – 47 contacts
 059 – 59 contacts
 071 – 71 contacts
 080 – 80 contacts

PLATING
 0 – None (Use with Termination option '00', only)
 1 – Gold

POLARIZATION
 00 – None
 XX – See page 140 for codes
 70 – Same as above, but without Loctite® (customer-keyed)

TERMINATION
 00 – Contacts not supplied
 17 – Crimp-removable (20-22 AWG)*
 18 – Crimp-removable (24-26 AWG)*
 19 – Crimp-removable (28-30 AWG)*

HARDWARE
 0256 – None
 55 – Guide set
 57 – Two guide pins
 58 – Two guide sockets
 29 – Fixed jackset
 30 – Fixed jackset, reversed
 19 – Two fixed jackscrews
 20 – Two fixed jacksockets
 59 – Hex turning jackset, 0.200"
 60 – Hex turning jackset reversed, 0.200"
 61 – Two hex turning jackscrews, 0.200"
 62 – Two hex turning jacksockets, 0.200"
 64 – Turning jackset, 0.490"

Notes:

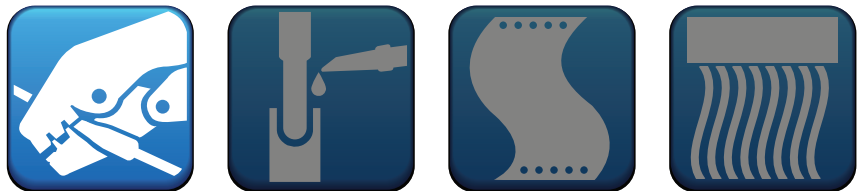
- * Full compliment of crimp-removable pins packaged with connectors, unless termination type is 000
- Crimp tool: AirBorn part number CDG4601, MIL-SPEC M22520/2-01
- Crimp positioner: AirBorn part number CDG4602 (24-26 & 28-10 AWG); CDG4603 (20-22 AWG)
- Crimp removal tool: AirBorn part number CDG8161
- Crimp contact part number on next page

PLEASE CONSULT THE AIRBORN WEBSITE FOR THE LATEST REVISION OF THIS DOCUMENT PRIOR TO BEGINNING ANY DESIGN WORK.

Mates with

- RM322 & RM342 — Three-row, straight receptacle
- RM362 & RM382 — Three-row, right-angle receptacle
- RA3 — Three-row, I/O receptacle

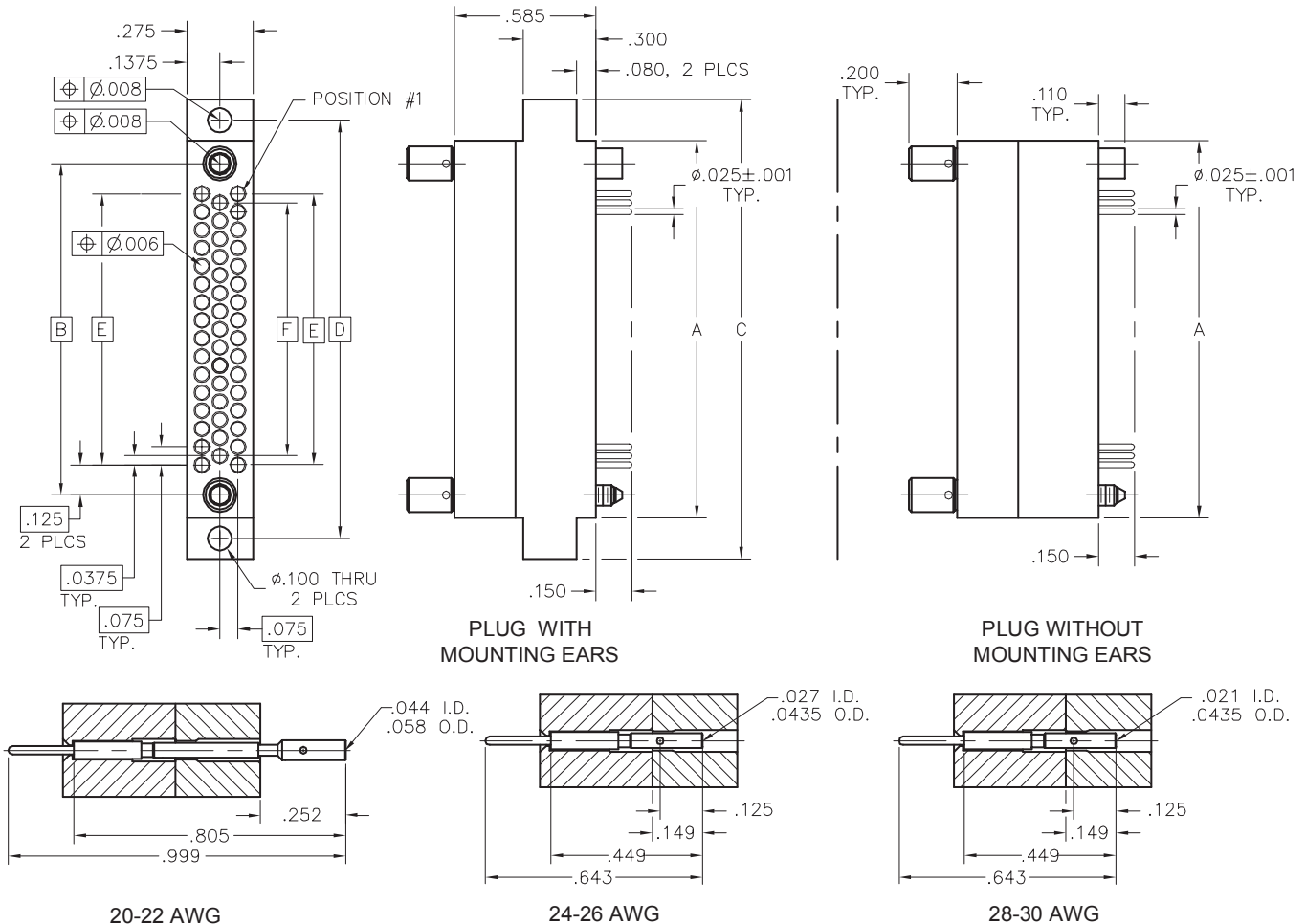
Terminations



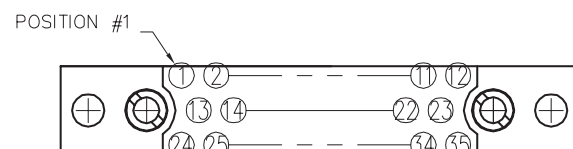


RM – Three-Row, I/O, Crimp-Removable Plug

Plastic ▪ 3-Row ▪ 11-80 Contacts



NOTE:
 When using crimp contacts with 20 gage barrel, barrel must be cut off prior to removing contact from connector body.



DIMENSIONS						
SIZE	A	B	C	D	E	F
11	.665	.475	1.005	.835	.225	.150
23	.965	.775	1.305	1.135	.525	.450
35	1.265	1.075	1.605	1.435	.825	.750
47	1.565	1.375	1.905	1.735	1.125	1.050
59	1.865	1.675	2.205	2.035	1.425	1.350
71	2.165	1.975	2.505	2.335	1.725	1.650
80	2.390	2.200	2.730	2.560	1.950	1.875

PIN IDENTIFICATION PATTERN
 VIEWED FROM TERMINATION SIDE
 (EXAMPLE: 35 POSITION CONNECTOR)

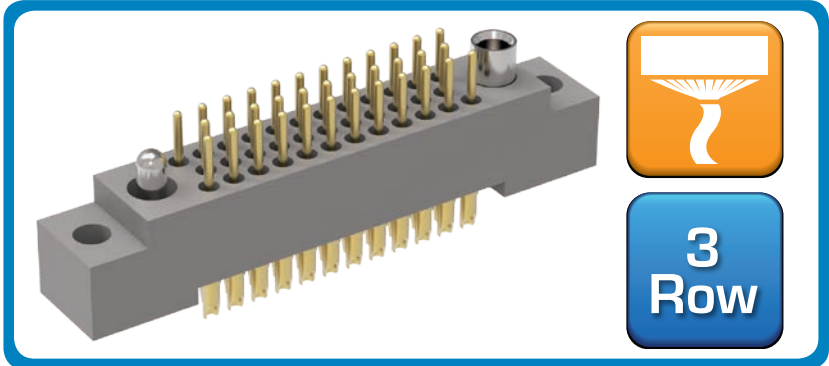
CRIMP REMOVABLE CONTACTS	
SIZE	PART NUMBER
20-22 AWG	RM300-000-171-0000
24-26 AWG	RM300-000-181-0000
28-30 AWG	RM300-000-191-0000

PLEASE CONSULT THE AIRBORN WEBSITE FOR THE LATEST REVISION OF THIS DOCUMENT PRIOR TO BEGINNING ANY DESIGN WORK.

CONTACT / CONTACT



R Series High-Density 0.075" (1.905mm)



RM – Three-Row, I/O Plug

Contact Spacing: 0.075" (1.91 mm)

R-Series rugged & reliable I/O connectors are available with crimp-removable, solder-cup or single-layer flex termination options.

Sample Part Number Format: RM332-035-111-5500

RM	3		2					
SERIES 0.075" Plastic Rectangular Connector (Plug)	ROWS 3 – 3-Row (11-206 contacts)	STYLE 1 – Plug, straight with mounting ears 3 – Plug, straight without mounting ears	BODY MATERIAL 2 – Polyphenylene sulfide (PPS)	SIZE 011 – 11 contacts 023 – 23 contacts 035 – 35 contacts 047 – 47 contacts 059 – 59 contacts 071 – 71 contacts 080 – 80 contacts 092 – 92 contacts 104 – 104 contacts 122 – 122 contacts 140 – 140 contacts 152 – 152 contacts 182 – 182 contacts 206 – 206 contacts	TERMINATION 11 – Pin, straight, solder cup 15 – Pin, straight, flex, .093" x .017 dia	PLATING 1 – Gold	HARDWARE 0256 – None 55 – Guide set 57 – Two guide pins 58 – Two guide sockets 29 – Fixed jackset 30 – Fixed jackset, reversed 19 – Two fixed jackscrews 20 – Two fixed jackscrews 59 – Hex turning jackset, 0.200" 60 – Hex turning jackset reversed, 0.200" 61 – Two hex turning jackscrews, 0.200" 62 – Two hex turning jackscrews, 0.200" 64 – Turning jackset, 0.490"	POLARIZATION 00 – None XX – See page 140 for codes 70 – Same as above, but without Loctite® (customer-keyed)

Notes:

‡ Not RoHS-compliant

PLEASE CONSULT THE AIRBORN WEBSITE FOR THE LATEST REVISION OF THIS DOCUMENT PRIOR TO BEGINNING ANY DESIGN WORK.

Mates with

- RM322 & RM342 — Three-row, straight receptacle
- RM362 & RM382 — Three-row, right-angle receptacle
- RA3E, 3F, 3G, 3H — Three-row, I/O receptacle

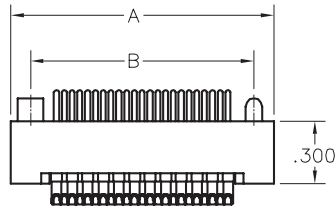
Terminations



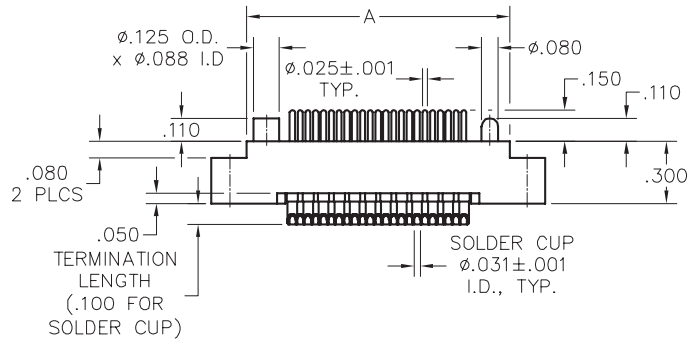


RM – Three-Row, I/O Plug

Plastic ▪ 3-Row ▪ 11-206 Contacts

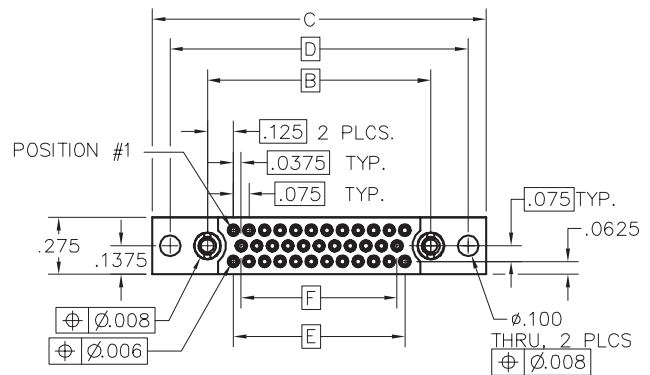


WITHOUT MOUNTING EARS

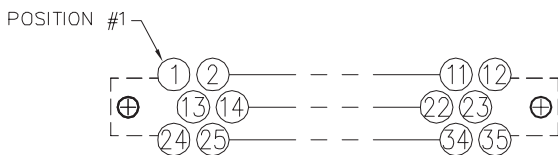


WITH MOUNTING EARS

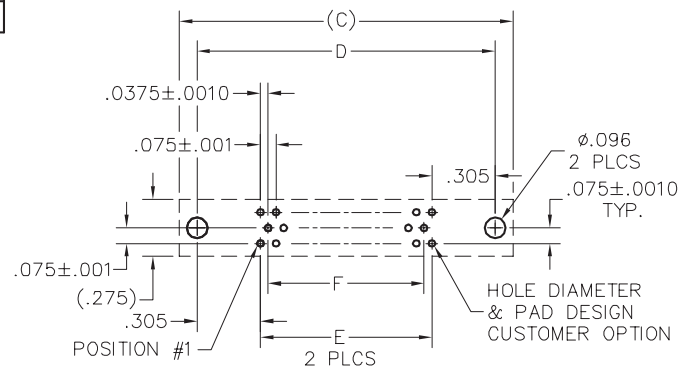
DIMENSIONS						
SIZE	A	B	C	D	E	F
11	.665	.475	1.005	.835	.225	.150
23	.965	.775	1.305	1.135	.525	.450
35	1.265	1.075	1.605	1.435	.825	.750
47	1.565	1.375	1.905	1.735	1.125	1.050
59	1.865	1.675	2.205	2.035	1.425	1.350
71	2.165	1.975	2.505	2.335	1.725	1.650
80	2.390	2.200	2.730	2.560	1.950	1.875
92	2.690	2.500	3.030	2.860	2.250	2.175
104	2.990	2.800	3.330	3.160	2.550	2.475
122	3.440	3.250	3.780	3.610	3.000	2.925
140	3.890	3.700	4.230	4.060	3.450	3.375
152	4.190	4.000	4.530	4.360	3.750	3.675
182	4.940	4.750	5.280	5.110	4.500	4.425
206	5.540	5.350	5.880	5.710	5.100	5.025



PLUG



PIN IDENTIFICATION PATTERN
 VIEWED FROM TERMINATION SIDE
 (EXAMPLE: 35 POSITION CONNECTOR)



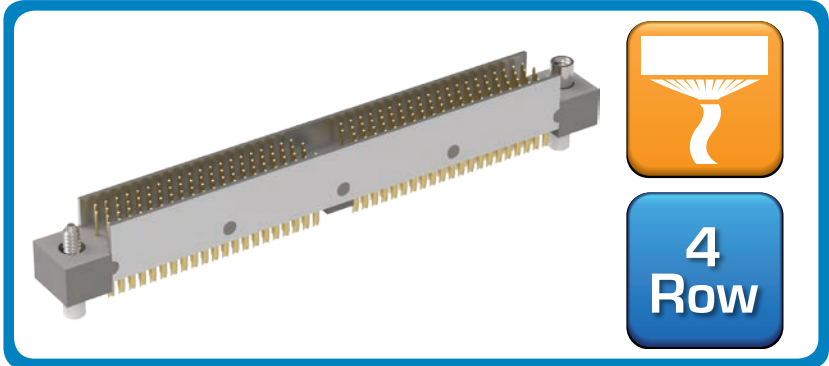
PCB LAYOUT VIEWED FROM COMPONENT SIDE

PLEASE CONSULT THE AIRBORN WEBSITE FOR THE LATEST REVISION OF THIS DOCUMENT PRIOR TO BEGINNING ANY DESIGN WORK.

CONTACT / CONTACT



R Series High-Density 0.075" (1.905mm)



RM – Four-Row, I/O Plug

Contact Spacing: 0.075" (1.91 mm)

R-Series rugged & reliable I/O connectors are available with crimp-removable, solder-cup or single-layer flex termination options.

Sample Part Number Format: RM412-164-171-9501

RM	4	1	2	-		-	1	-		
SERIES 0.075" Plastic Rectangular Connector (Plug)	ROWS 4 – 4-Row (86-404 contacts)	STYLE 1 – Plug, straight with mounting ears	BODY MATERIAL 2 – Polyphenylene sulfide (PPS)	SIZE 086 – 86 contacts 110 – 110 contacts 164 – 164 contacts 196 – 196 contacts 204 – 204 contacts 220 – 220 contacts 250 – 250 contacts 276 – 276 contacts 300 – 300 contacts 404 – 404 contacts	TERMINATION 17 – Solder cup 40 – Flex circuit, 0.093" x 0.017" Ø*	PLATING 1 – Gold	HARDWARE 0256 – None 84 – Fixed jackset, reversed, #2-56 x 0.320" 90 – Guide pins, full round, #2-56 x 0.320" 92 – Hex turning jackset, 0.200" 93 – Fixed jackset, #2-56 x 0.247" 94 – Fixed jackset, #2-56 x 0.320" 95 – Guide pins, polarized, #2-56 x 0.320" ** 9501-9536 – Guide pins, polarized, #2-56 x 0.320" 99 – Guide pins, universal, #2-56 x 0.320"	POLARIZATION 00 – None XX – See page 141 for codes		

Notes:

- ‡ Not RoHS-compliant
- ** This hardware option is packaged unassembled (uninstalled)

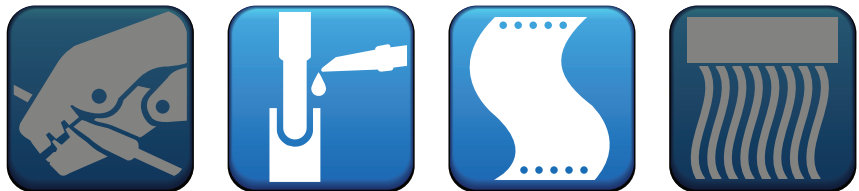
PLEASE CONSULT THE AIRBORN WEBSITE FOR THE LATEST REVISION OF THIS DOCUMENT PRIOR TO BEGINNING ANY DESIGN WORK.

CONTACT / CONTACT

Mates with

- RM422 — Four-row, straight receptacle
- RM462 — Four-row, right-angle receptacle
- RM422 — Four-row, I/O receptacle

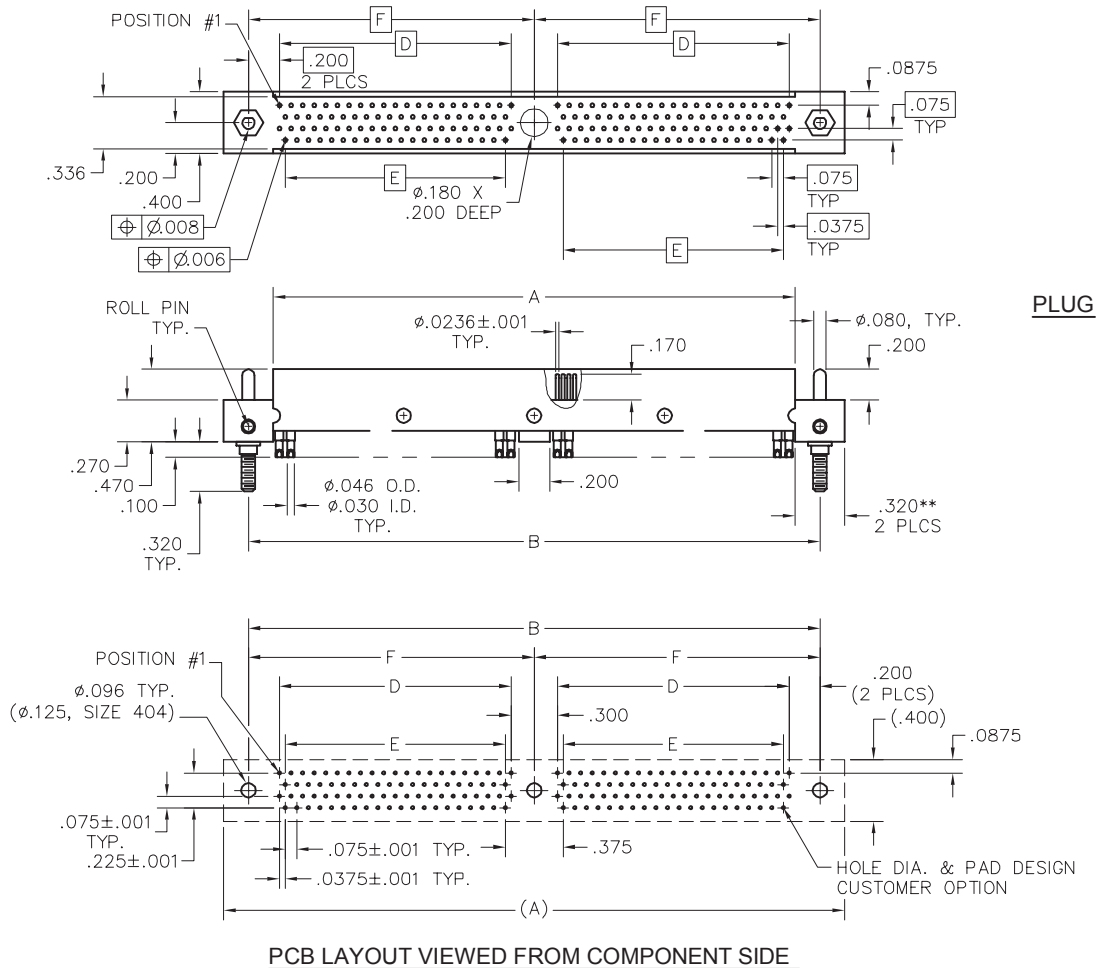
Terminations





RM – Four-Row, I/O Plug

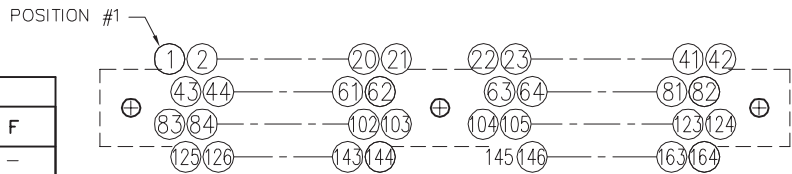
Plastic ▪ 4-Row ▪ 86-404 Contacts



NOTES:

- * = Single section, no center mounting hole
- ** = 0.280" for 86 position

DIMENSIONS						
SIZE	A	B	C	D	E	F
86*	2.255	1.975	1.655	1.575	1.500	—
110*	2.745	2.425	2.105	2.025	1.950	—
164	4.020	3.700	3.380	1.500	1.425	1.850
196	4.620	4.300	3.980	1.800	1.725	2.150
204	4.770	4.450	4.130	1.875	1.800	2.225
220	5.070	4.750	4.430	2.025	1.950	2.375
250*	5.370	5.050	4.730	4.650	4.575	—
276	6.120	5.800	5.480	2.550	2.475	2.900
300	6.570	6.250	5.930	2.775	2.700	3.125
404	8.520	8.200	7.880	3.750	3.675	4.100



PIN IDENTIFICATION PATTERN
 (EXAMPLE: 164 POSITION CONNECTOR)

PLEASE CONSULT THE AIRBORN WEBSITE FOR THE LATEST REVISION OF THIS DOCUMENT PRIOR TO BEGINNING ANY DESIGN WORK.

CONTACT / CONTACT

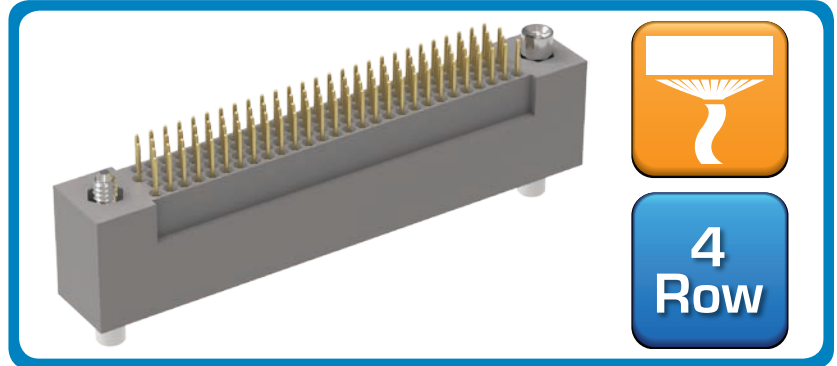


R Series High-Density 0.075" (1.905mm)

RM – Four-Row, I/O, Crimp-Removable Plug

Contact Spacing: 0.075" (1.91 mm)

R-Series rugged & reliable I/O connectors are available with crimp-removable, solder-cup or single-layer flex termination options.



Sample Part Number Format: RM412-110-271-9200

RM	4	1	2	-		-		-		
SERIES 0.075" Plastic Rectangular Connector (Plug)	ROWS 4 – 4-Row (86-404 contacts)	STYLE 1 – Plug, straight without mounting ears	BODY MATERIAL 2 – Polyphenylene sulfide (PPS)	SIZE 086 – 86 contacts 110 – 110 contacts	TERMINATION 00 – Contacts not supplied 26 – Crimp-removable (20-22 AWG)* 27 – Crimp-removable (24-26 AWG)* 28 – Crimp-removable (28-30 AWG)*	PLATING 0 – None (Use with Termination option "00", only) 1 – Gold	HARDWARE 0256 – None 90 – Guide pins, full round 92 – Hex turning jacketset, 0.200" 93 – Fixed jacketset 95 – Guide pins, polarized** 9501-9536 – Guide pins, polarized 99 – Guide pins, universal	POLARIZATION 00 – None XX – See page 141 for codes		

Notes:

- † Not RoHS-compliant
- * Full compliment of crimp-removable sockets packaged with connectors, unless termination type is 000
- ** This hardware option is packaged unassembled (uninstalled)
- Crimp tool: AirBorn part number CDG4601, MIL-SPEC M22520/2-01
- Crimp positioner: AirBorn part number CDG4602 (24-26 & 28-10 AWG); CDG4603 (20-22 AWG)
- Crimp removal tool: AirBorn part number CDG8161
- Crimp contact part number on next page

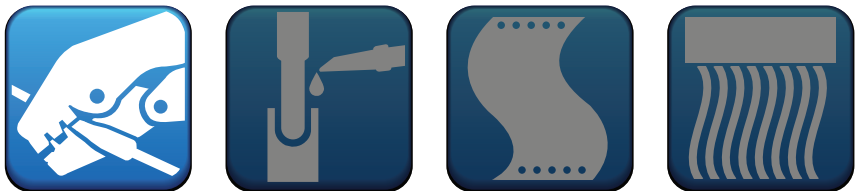
PLEASE CONSULT THE AIRBORN WEBSITE FOR THE LATEST REVISION OF THIS DOCUMENT PRIOR TO BEGINNING ANY DESIGN WORK.

CONTACT / CONTACT

Mates with

- RM422 — Four-row, straight receptacle
- RM462 — Four-row, right-angle receptacle
- RM422 — Four-row, I/O receptacle

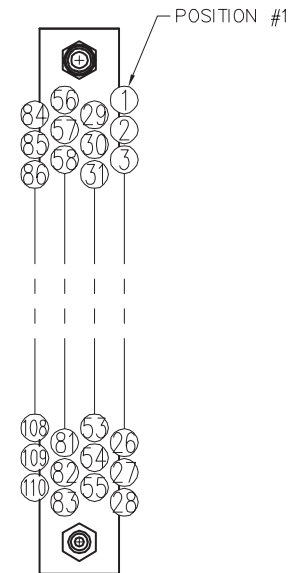
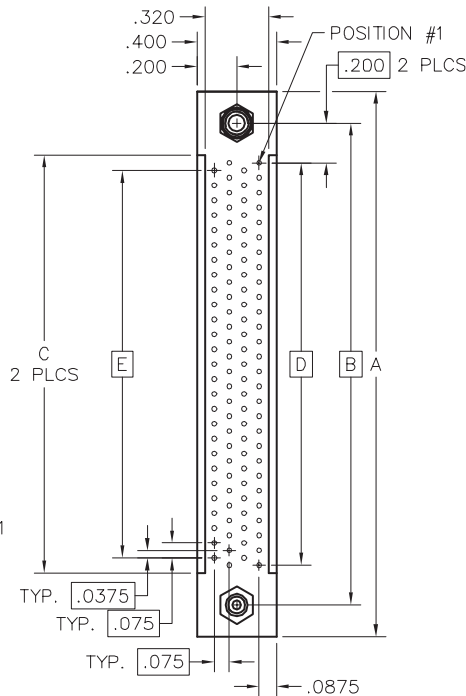
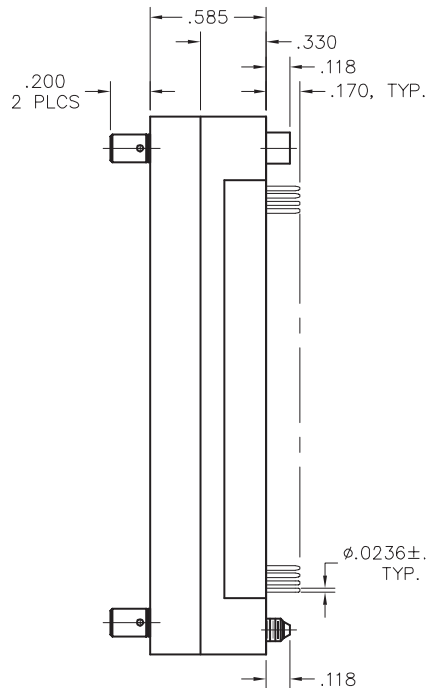
Terminations





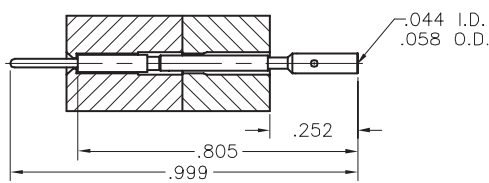
RM – Four-Row, I/O, Crimp-Removable Plug

Plastic ▪ 4-Row ▪ 86 & 110 Contacts

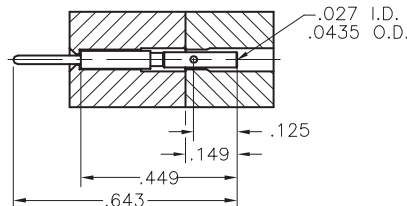


PIN IDENTIFICATION PATTERN
 VIEWED FROM MATING SIDE
 (EXAMPLE: 110 POSITION CONNECTOR)

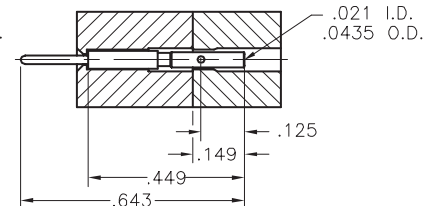
PLUG



20-22 AWG



24-26 AWG



28-30 AWG

NOTE:

When using crimp contacts with 20 gage barrel, barrel must be cut off prior to removing contact from connector body.

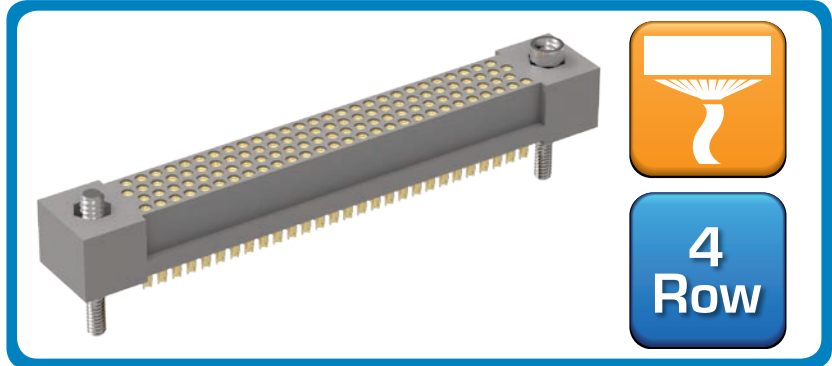
CRIMP REMOVABLE CONTACTS	
SIZE	PART NUMBER
20-22 AWG	RM400-000-261-0000
24-26 AWG	RM400-000-271-0000
28-30 AWG	RM400-000-281-0000

DIMENSIONS					
SIZE	A	B	C	D	E
86	2.255	1.975	1.655	1.575	1.500
110	2.745	2.425	2.105	2.025	1.950

PLEASE CONSULT THE AIRBORN WEBSITE FOR THE LATEST REVISION OF THIS DOCUMENT PRIOR TO BEGINNING ANY DESIGN WORK.



R Series High-Density 0.075" (1.905mm)



RM – Four-Row, I/O Receptacle

Contact Spacing: 0.075" (1.91 mm)

R-Series rugged & reliable I/O connectors are available with crimp-removable, solder-cup or single-layer flex termination options.

Sample Part Number Format: RM422-164-761-9601

RM	4	2	2	-		-	1		-		
SERIES 0.075" Plastic Rectangular Connector (Receptacle)	ROWS 4 – 4-Row (86-404 contacts)	STYLE 2 – Receptacle, straight without mounting ears	BODY MATERIAL 2 – Polyphenylene sulfide (PPS)	SIZE 086 – 86 contacts 110 – 110 contacts 164 – 164 contacts 196 – 196 contacts 204 – 204 contacts 220 – 220 contacts 250 – 250 contacts 276 – 276 contacts 300 – 300 contacts 404 – 404 contacts	PLATING 1 – Gold	TERMINATION 76 – Solder cup 77 – Flex circuit, 0.093" x 0.017" Ø*	HARDWARE 0256 – None 84 – Fixed jackset, reversed, #2-56 x 0.320" 91 – Guide sockets, full round, #2-56 x 0.247" 92 – Hex turning jackset, 0.200" 93 – Fixed jackset, #2-56 x 0.247" 94 – Fixed jackset, #2-56 x 0.320" 96 – Guide sockets, polarized, #2-56 x 0.320" ** 9601-9636 – Guide sockets, polarized, #2-56 x 0.320" 97 – Guide sockets, polarized, #2-56 x 0.247" ** 9701-9736 – Guide sockets, polarized, #2-56 x 0.247" 98 – Guide sockets, universal, #2-56 x 0.247"	POLARIZATION 00 – None XX – See page 141 for codes			

Notes:

- ‡ Not RoHS-compliant
- ** This hardware option is packaged unassembled (uninstalled)

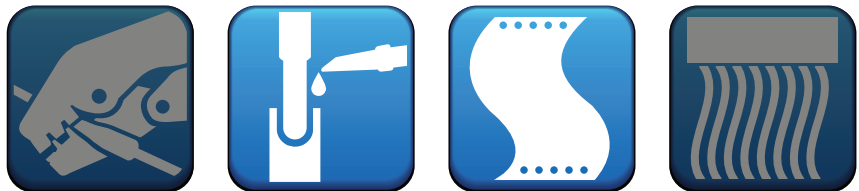
PLEASE CONSULT THE AIRBORN WEBSITE FOR THE LATEST REVISION OF THIS DOCUMENT PRIOR TO BEGINNING ANY DESIGN WORK.

CONTACT / CONTACT

Mates with

- RM412 — Four-row, straight plug
- RM452 — Four-row, right-angle plug
- RM412 — Four-row, I/O plug

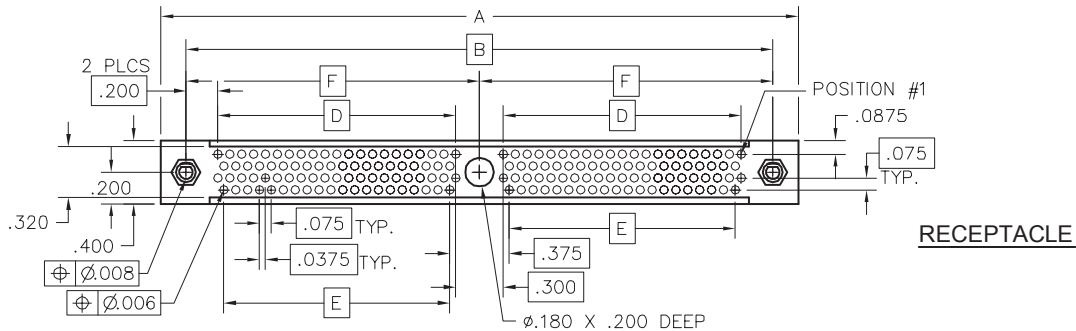
Terminations



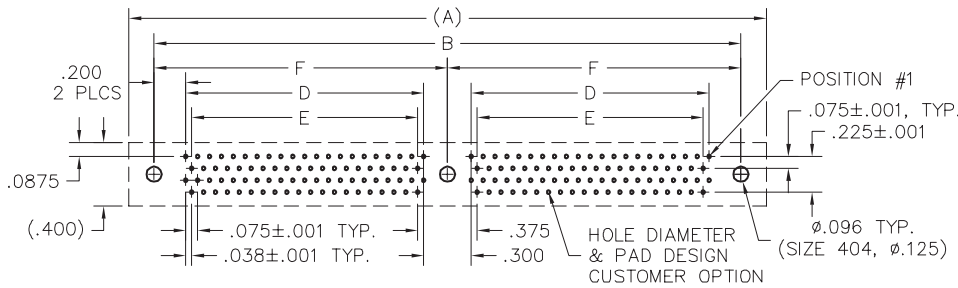
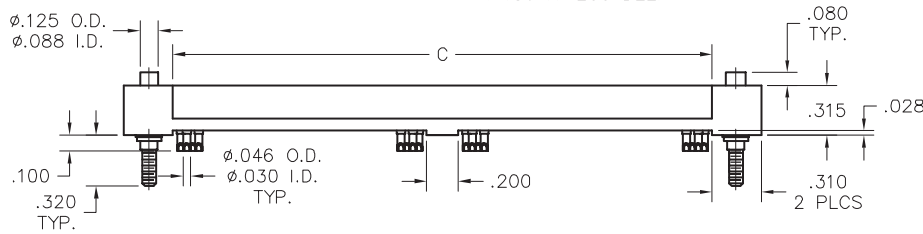


RM – Four-Row, I/O Receptacle

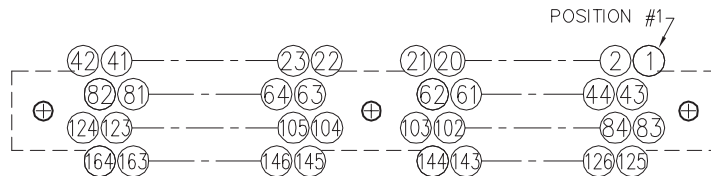
Plastic ▪ 4-Row ▪ 86-404 Contacts



RECEPTACLE



**PCB LAYOUT VIEW
 FROM
 COMPONENT SIDE**



**PCB PIN IDENTIFICATION
 PATTERN
 (EXAMPLE: 164 POSITION
 CONNECTOR)**

NOTES:

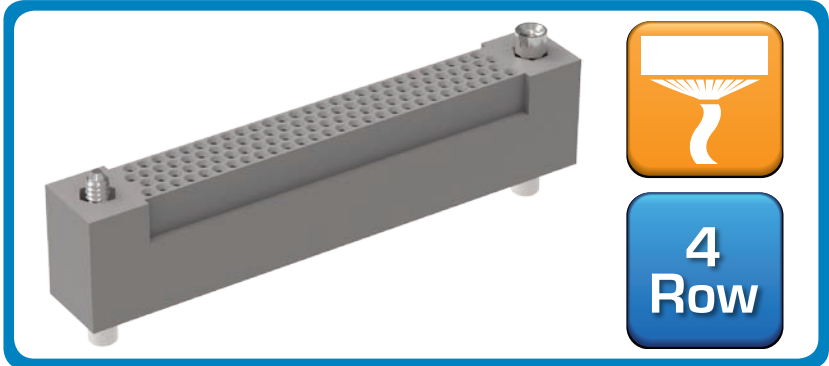
* = Single section, no center mounting hole

DIMENSIONS						
SIZE	A	B	C	D	E	F
86*	2.255	1.975	1.655	1.575	1.500	–
110*	2.745	2.425	2.105	2.025	1.950	–
164	4.020	3.700	3.380	1.500	1.425	1.850
196	4.620	4.300	3.980	1.800	1.725	2.150
204	4.770	4.450	4.130	1.875	1.800	2.225
220	5.070	4.750	4.430	2.025	1.950	2.375
250*	5.370	5.050	4.730	4.650	4.575	–
276	6.120	5.800	5.480	2.550	2.475	2.900
300	6.570	6.250	5.930	2.775	2.700	3.125
404	8.520	8.200	7.880	3.750	3.675	4.100

PLEASE CONSULT THE AIRBORN WEBSITE FOR THE LATEST REVISION OF THIS DOCUMENT PRIOR TO BEGINNING ANY DESIGN WORK.



R Series High-Density 0.075" (1.905mm)



RM – Four-Row, I/O Crimp-Removable Receptacle

Contact Spacing: 0.075" (1.91 mm)
 R-Series rugged & reliable I/O connectors are available with crimp-removable, solder-cup or single-layer flex termination options.

Sample Part Number Format: RM422-110-581-9200

RM	4	2	2	-		-		-		
SERIES 0.075" Plastic Rectangular Connector (Receptacle)	ROWS 4 – 4-Row (86-404 contacts)	STYLE 2 – Receptacle, straight without mounting ears	BODY MATERIAL 2 – Polyphenylene sulfide (PPS)	SIZE 086 – 86 contacts 110 – 110 contacts	PLATING 0 – None (Use with Termination option "00", only) 1 – Gold	TERMINATION 00 – Contacts not supplied 57 – Crimp-removable (20-22 AWG)* 58 – Crimp-removable (24-26 AWG)* 59 – Crimp-removable (28-30 AWG)*	HARDWARE 0256 – None 91 – Guide sockets, full round 92 – Hex turning jackset, 0.200" 96 – Guide sockets, polarized** 9601-9636 – Guide sockets, polarized 98 – Guide sockets, universal	POLARIZATION 00 – None XX – See page 141 for codes		

Notes:

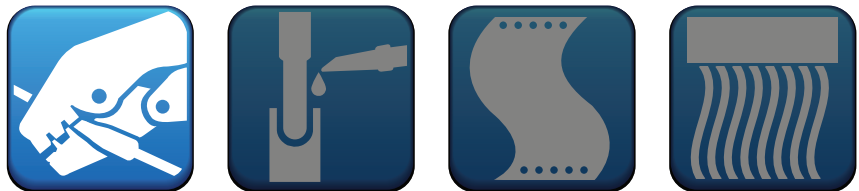
- ‡ Not RoHS-compliant
- * Full compliment of crimp-removable sockets packaged with connectors, unless termination type is 000
- ** This hardware option is packaged unassembled (uninstalled)
- Crimp tool: AirBorn part number CDG4601, MIL-SPEC M22520/2-01
- Crimp positioner: AirBorn part number CDG4602 (24-26 & 28-10 AWG); CDG4603 (20-22 AWG)
- Crimp removal tool: AirBorn part number CDG8161
- Crimp contact part number on next page

PLEASE CONSULT THE AIRBORN WEBSITE FOR THE LATEST REVISION OF THIS DOCUMENT PRIOR TO BEGINNING ANY DESIGN WORK.

Mates with

- RM412 — Four-row, straight plug
- RM452 — Four-row, right-angle plug
- RM412 — Four-row, I/O plug

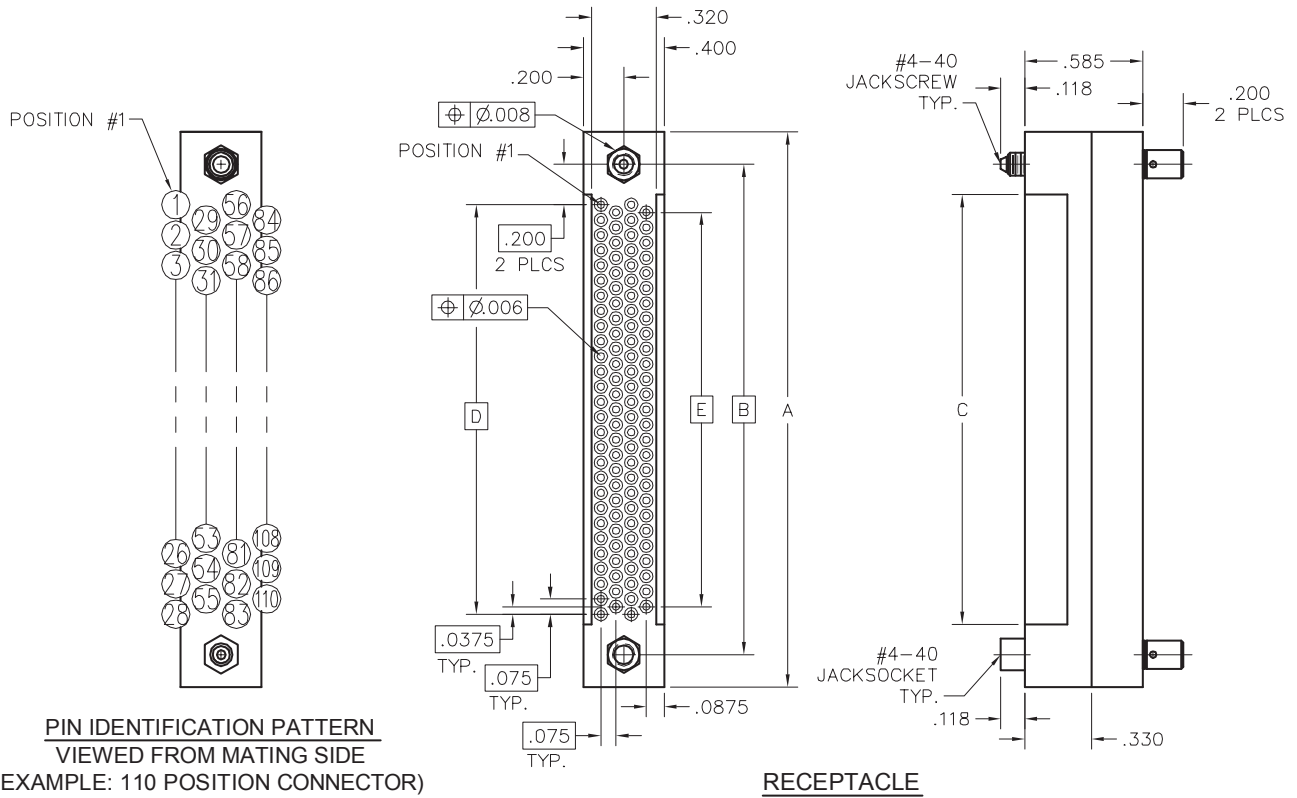
Terminations





RM – Four-Row, I/O Crimp-Removable Receptacle

Plastic ▪ 4-Row ▪ 86 & 110 Contacts

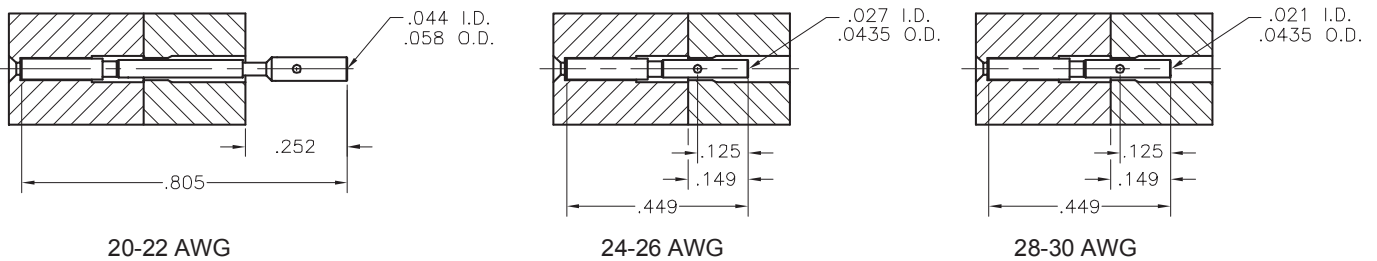


PIN IDENTIFICATION PATTERN
 VIEWED FROM MATING SIDE
 (EXAMPLE: 110 POSITION CONNECTOR)

RECEPTACLE

NOTES:

When using crimp contacts with 20 gage barrel, barrel must be cut off prior to removing contact from connector body.



CRIMP REMOVABLE CONTACTS	
SIZE	PART NUMBER
20-22 AWG	RM400-000-571-0000
24-26 AWG	RM400-000-581-0000
28-30 AWG	RM400-000-591-0000

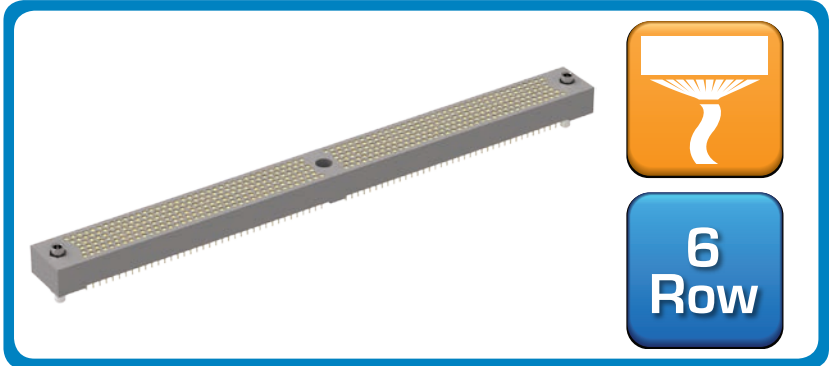
DIMENSIONS					
SIZE	A	B	C	D	E
86	2.255	1.975	1.675	1.575	1.500
110	2.745	2.425	2.125	2.025	1.950

PLEASE CONSULT THE AIRBORN WEBSITE FOR THE LATEST REVISION OF THIS DOCUMENT PRIOR TO BEGINNING ANY DESIGN WORK.

CONTACT / CONTACT



R Series High-Density 0.075" (1.905mm)



RM – Six-Row, I/O Plug

Contact Spacing: 0.075" (1.91 mm)

R-Series rugged & reliable I/O connectors are available with crimp-removable, solder-cup or single-layer flex termination options.

Sample Part Number Format: RM612-448-171-9501

RM	6	1	2	-		-	1	-		
SERIES 0.075" Plastic Rectangular Connector (Plug)	ROWS 6 – 6-Row (448 or 604 contacts)	STYLE 1 – Plug, straight with mounting ears	BODY MATERIAL 2 – Polyphenylene sulfide (PPS)		SIZE 448 – 448 contacts 604 – 604 contacts		PLATING 1 – Gold			POLARIZATION 00 – None XX – See page 141 for codes
						TERMINATION 17 – Solder cup 40 – Flex circuit, 0.093" x 0.017" Ø*			HARDWARE 0256 – None 84 – Fixed jackset, reversed, #2-56 x 0.320" 90 – Guide pins, full round, #2-56 x 0.320" 92 – Hex turning jackset, 0.200" 93 – Fixed jackset, #2-56 x 0.247" 94 – Fixed jackset, #2-56 x 0.320" 95 – Guide pins, polarized, #2-56 x 0.320" ** 9501-9536 – Guide pins, polarized, #2-56 x 0.320" 99 – Guide pins, universal, #2-56 x 0.320"	

Notes:

- ‡ Not RoHS-compliant
- ** This hardware option is packaged unassembled (uninstalled)

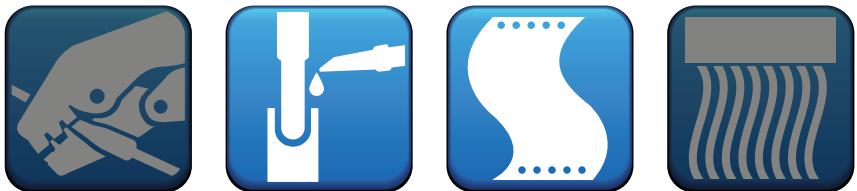
PLEASE CONSULT THE AIRBORN WEBSITE FOR THE LATEST REVISION OF THIS DOCUMENT PRIOR TO BEGINNING ANY DESIGN WORK.

CONTACT / CONTACT

Mates with

- RM622 — Six-row, straight receptacle
- RM662 — Six-row, right-angle receptacle
- RM622 — Six-row, I/O receptacle

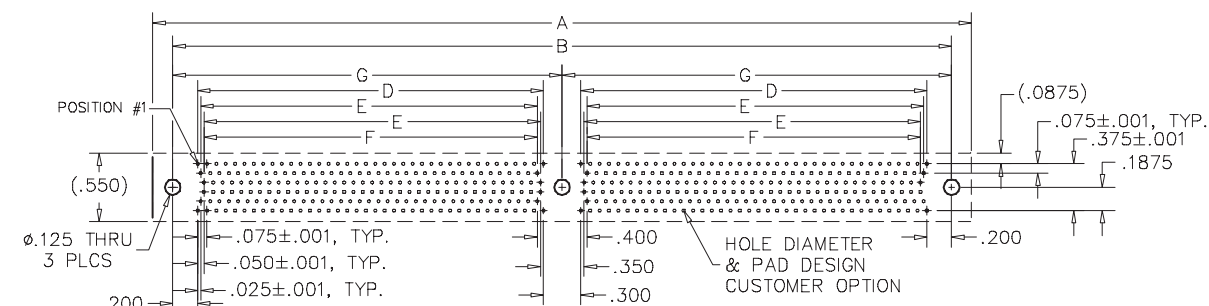
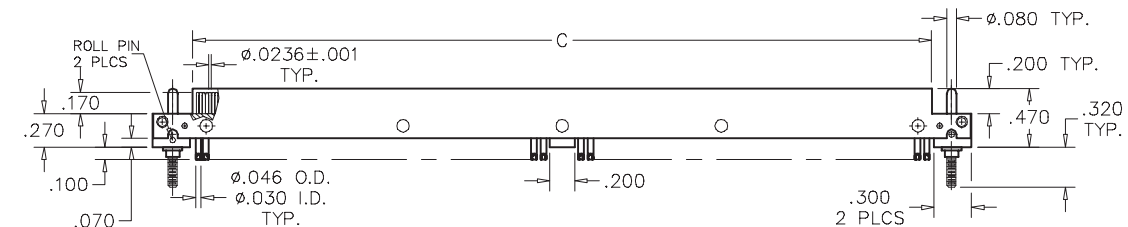
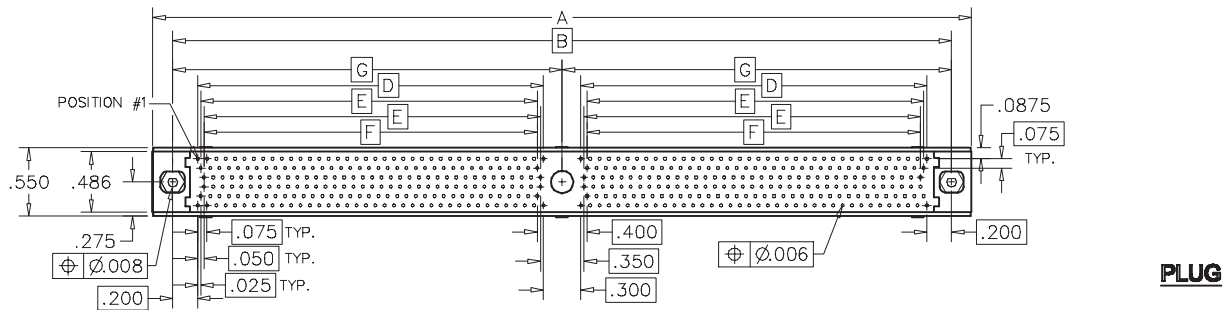
Terminations



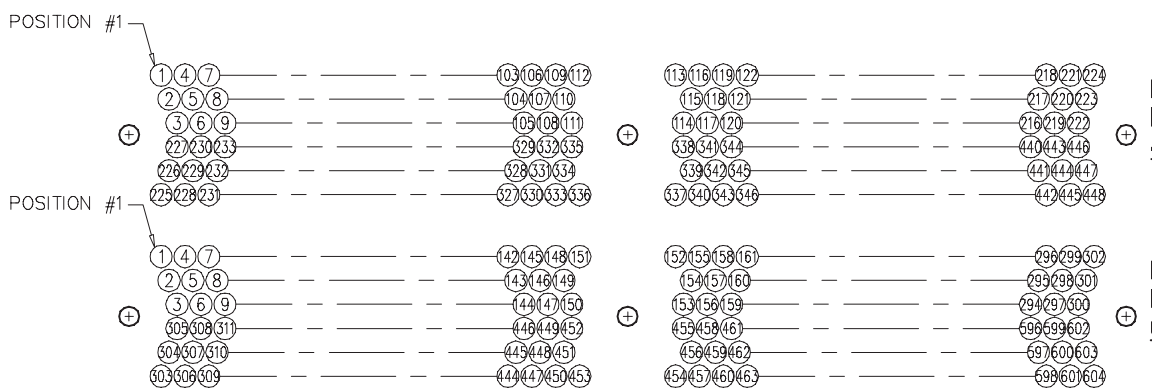


RM – Six-Row, I/O Plug

Plastic ▪ 6-Row ▪ 448 & 604 Contacts



PC BOARD VIEWED FROM COMPONENT SIDE



PCB PIN PATTERN 448 POSITION

PCB PIN PATTERN 604 POSITION

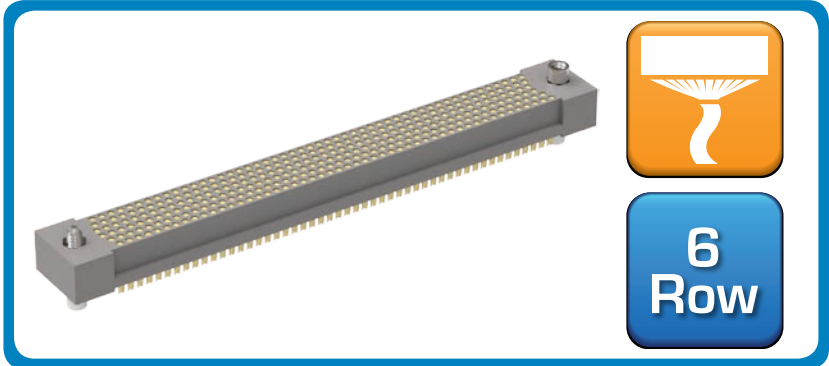
DIMENSIONS							
SIZE	A	B	C	D	E	F	G
448	6.570	6.250	5.930	2.775	2.700	2.675	3.125
604	8.520	8.200	7.880	3.750	3.675	3.650	4.100

PLEASE CONSULT THE AIRBORN WEBSITE FOR THE LATEST REVISION OF THIS DOCUMENT PRIOR TO BEGINNING ANY DESIGN WORK.

CONTACT / TOUCH



R Series High-Density 0.075" (1.905mm)



RM – Six-Row, I/O Receptacle

Contact Spacing: 0.075" (1.91 mm)
 R-Series rugged & reliable I/O connectors are available with crimp-removable, solder-cup or single-layer flex termination options.

Sample Part Number Format: RM622-448-761-9601

RM	6	2	2	-	-	1	-		
SERIES 0.075" Plastic Rectangular Connector (Receptacle)	ROWS 6 – 6-Row (448 & 604 contacts)	STYLE 2 – Receptacle, straight with mounting ears	BODY MATERIAL 2 – Polyphenylene sulfide (PPS)	SIZE 448 – 448 contacts 604 – 604 contacts		PLATING 1 – Gold		TERMINATION 76 – Solder cup 77 – Flex circuit, 0.093" x 0.017" Ø*	HARDWARE 0256 – None 91 – Guide sockets, full round, #2-56 x 0.247" 92 – Hex turning jackset, 0.200" 93 – Fixed jackset, #2-56 x 0.247" 96 – Guide sockets, polarized, #2-56 x 0.320" ** 9601-9636 – Guide sockets, polarized, #2-56 x 0.320" ** 97 – Guide sockets, polarized, #2-56 x 0.247" *** 9701-9736 – Guide sockets, polarized, #2-56 x 0.247" 98 – Guide sockets, universal, #2-56 x 0.247"
									POLARIZATION 00 – None XX – See page 141 for codes

Notes:

- ‡ Not RoHS-compliant
- ** This hardware option is packaged unassembled (uninstalled)

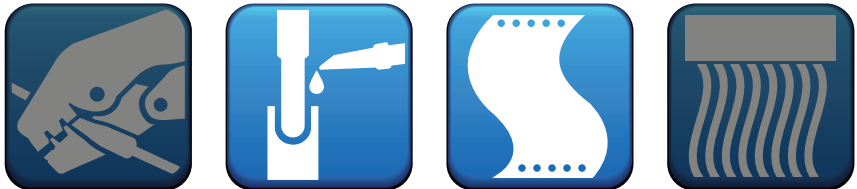
PLEASE CONSULT THE AIRBORN WEBSITE FOR THE LATEST REVISION OF THIS DOCUMENT PRIOR TO BEGINNING ANY DESIGN WORK.

CONTACT / CONTACT

Mates with

- RM612 — Six-row, straight plug
- RM652 — Six-row, right-angle plug
- RM612 — Six-row, I/O plug

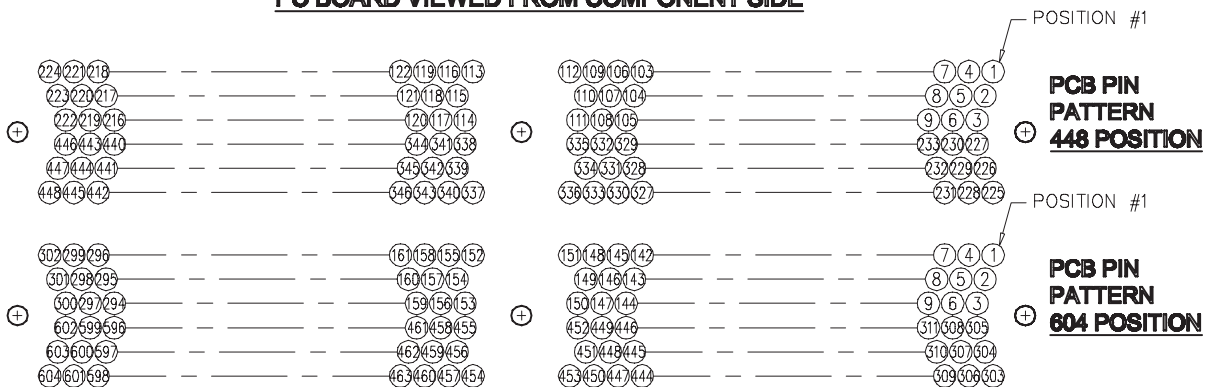
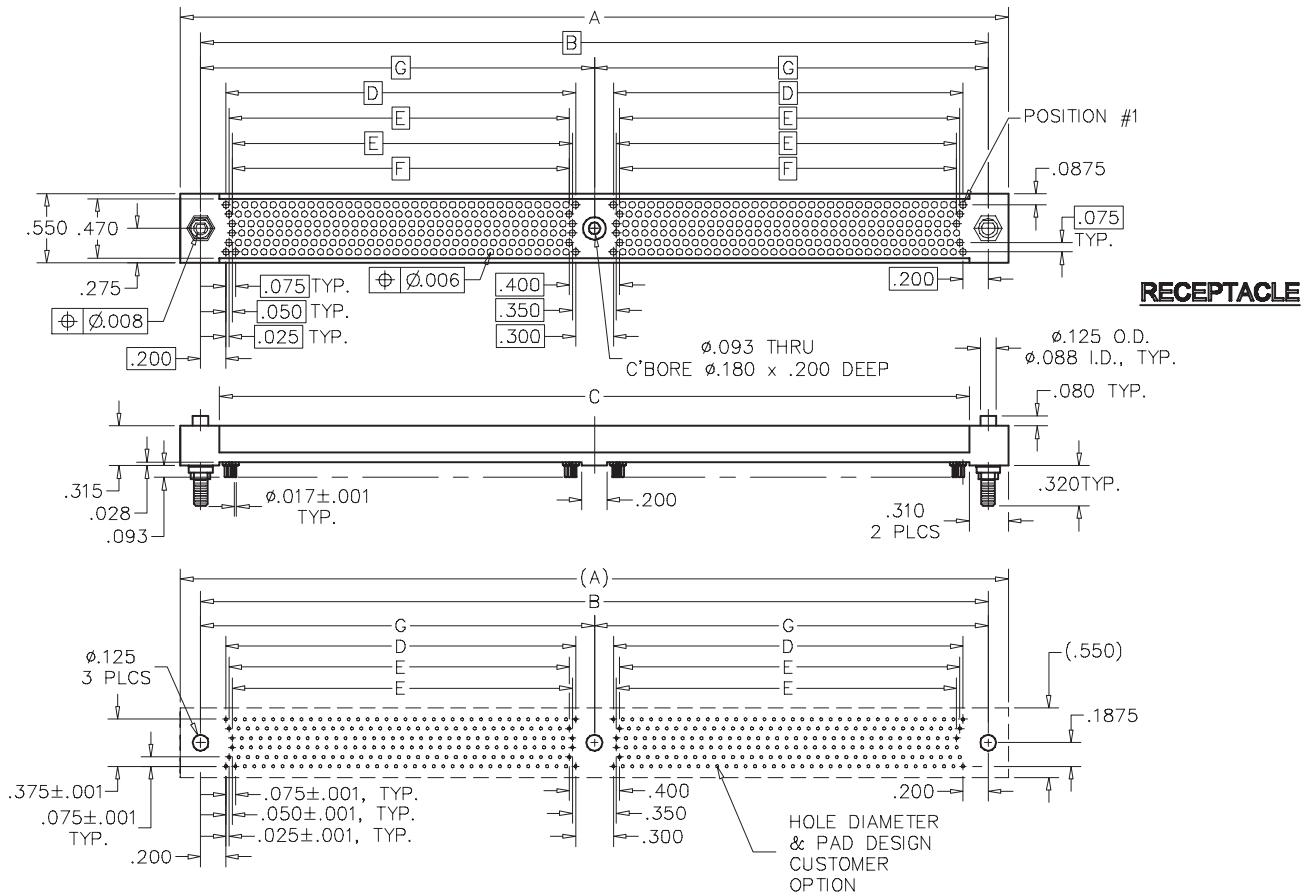
Terminations





RM – Six-Row, I/O Receptacle

Plastic ▪ 6-Row ▪ 448 & 604 Contacts

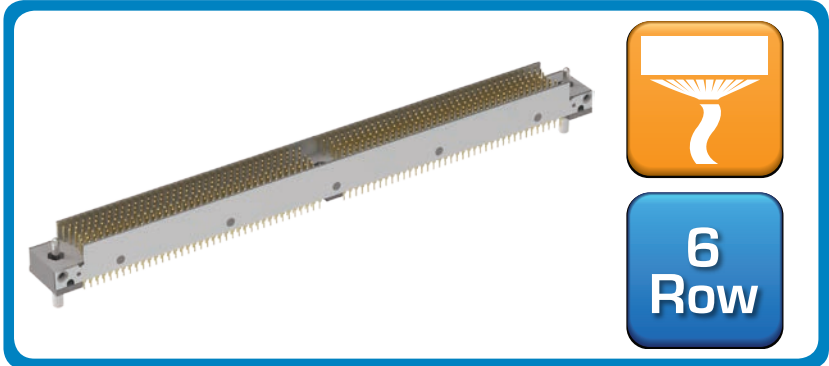


DIMENSIONS							
SIZE	A	B	C	D	E	F	G
448	6.570	6.250	5.950	2.775	2.700	2.675	3.125
604	8.520	8.200	7.900	3.750	3.675	3.650	4.100

PLEASE CONSULT THE AIRBORN WEBSITE FOR THE LATEST REVISION OF THIS DOCUMENT PRIOR TO BEGINNING ANY DESIGN WORK.



R Series High-Density 0.075" (1.905mm)



RM – Six-Row, I/O Plug

Contact Spacing: 0.075" (1.91 mm)

R-Series rugged & reliable I/O connectors are available with crimp-removable, solder-cup or single-layer flex termination options.

Sample Part Number Format: RM632-252-171-9501

RM	6	3	2	-		-	1	-			
SERIES 0.075" Plastic Rectangular Connector (Plug)	ROWS 6 – 6-Row (162-402 contacts)	STYLE 3 – Plug, straight with mounting ears	BODY MATERIAL 2 – Polyphenylene sulfide (PPS)		SIZE 162 – 162 contacts 204 – 204 contacts 252 – 252 contacts 300 – 300 contacts 360 – 360 contacts 402 – 402 contacts		PLATING 1 – Gold		TERMINATION 17 – Solder cup 40 – Flex circuit, 0.093" x 0.017" Ø*	HARDWARE 0256 – None 84 – Fixed jackset, reversed, #2-56 x 0.320" 90 – Guide pins, full round, #2-56 x 0.320" 92 – Hex turning jackset, 0.200" 93 – Fixed jackset, #2-56 x 0.247" 94 – Fixed jackset, #2-56 x 0.320" 95 – Guide pins, polarized, #2-56 x 0.320" ** 9501-9536 – Guide pins, polarized, #2-56 x 0.320" 99 – Guide pins, universal, #2-56 x 0.320"	POLARIZATION 00 – None XX – See page 141 for codes

Notes:

- ‡ Not RoHS-compliant
- ** This hardware option is packaged unassembled (uninstalled)

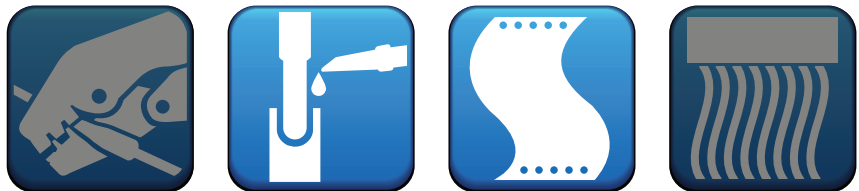
PLEASE CONSULT THE AIRBORN WEBSITE FOR THE LATEST REVISION OF THIS DOCUMENT PRIOR TO BEGINNING ANY DESIGN WORK.

CONTACT / CONTACT

Mates with

- RM622 — Six-row, straight receptacle
- RM682 — Six-row, right-angle receptacle
- RM622 — Six-row, I/O receptacle

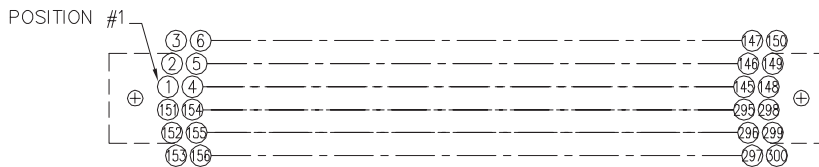
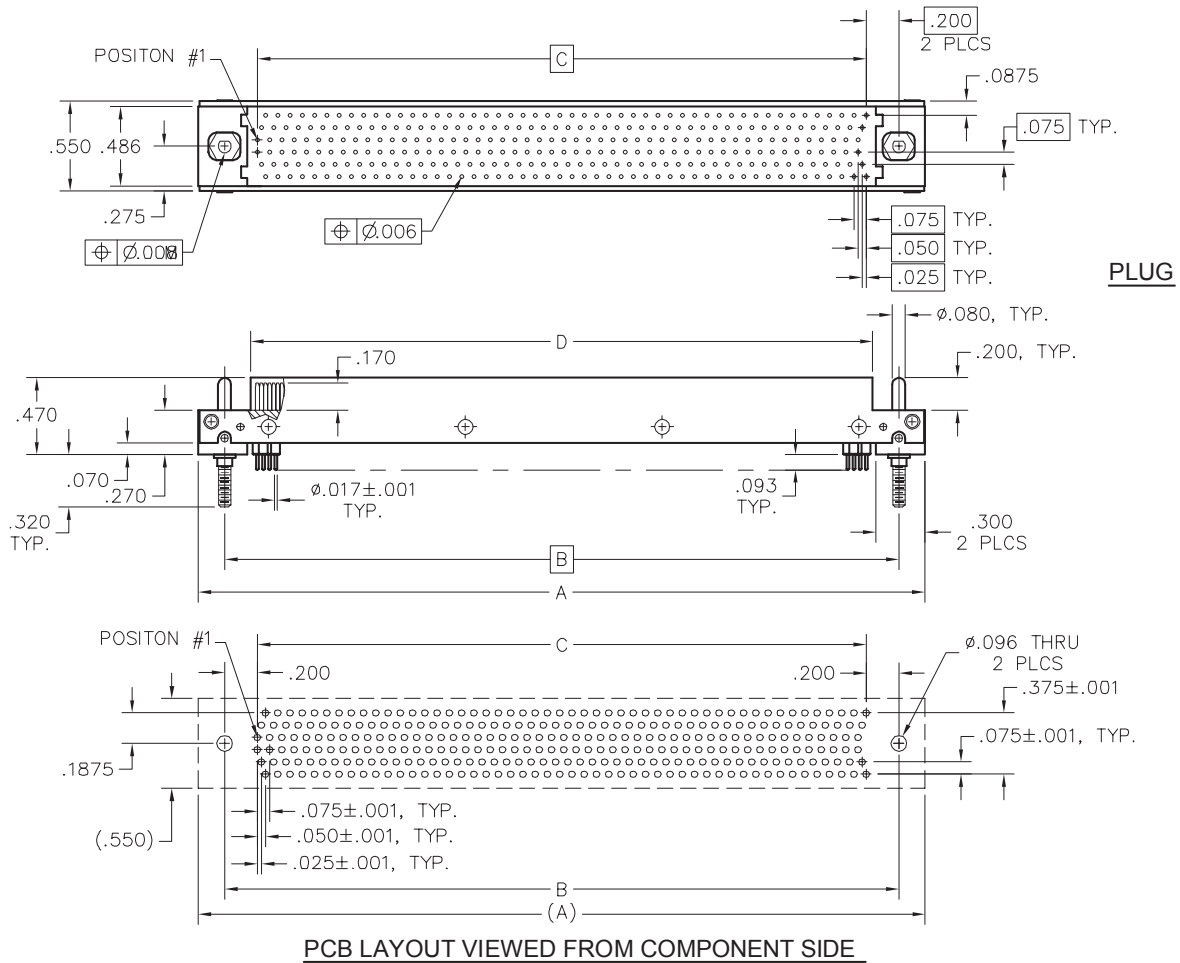
Terminations





RM – Six-Row, I/O Plug

Plastic ▪ 6-Row ▪ 162-402 Contacts



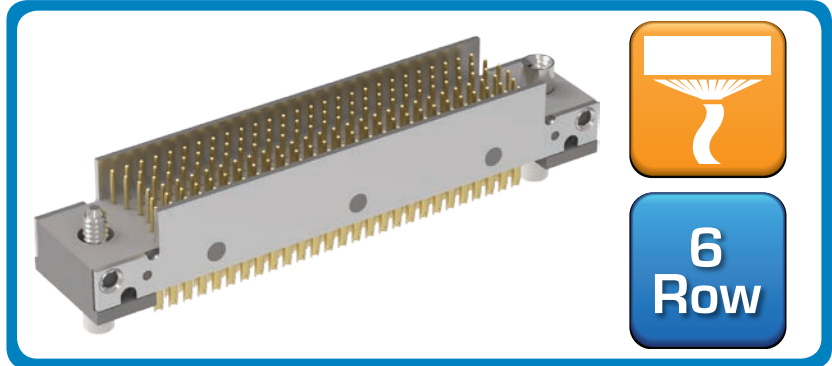
PIN IDENTIFICATION PATTERN
 VIEWED FROM MATING FACE
 (EXAMPLE: 300 POSITION CONNECTOR)

DIMENSIONS				
SIZE	A	B	C	D
162	2.720	2.400	2.000	2.080
204	3.245	2.925	2.525	2.605
252	3.845	3.525	3.125	3.205
300	4.445	4.125	3.725	3.805
360	5.195	4.875	4.475	4.550
402	5.720	5.400	5.000	5.080

PLEASE CONSULT THE AIRBORN WEBSITE FOR THE LATEST REVISION OF THIS DOCUMENT PRIOR TO BEGINNING ANY DESIGN WORK.



R Series High-Density 0.075" (1.905mm)



RM – Six-Row, I/O Receptacle

Contact Spacing: 0.075" (1.91 mm)

R-Series rugged & reliable I/O connectors are available with crimp-removable, solder-cup or single-layer flex termination options.

Sample Part Number Format: RM642-252-761-9601

RM	6	4	2	-		-	1	-		
SERIES 0.075" Plastic Rectangular Connector (Receptacle)	ROWS 6 – 6-Row (162-402 contacts)	STYLE 4 – Receptacle, straight with mounting ears	BODY MATERIAL 2 – Polyphenylene sulfide (PPS)	SIZE 162 – 162 contacts 204 – 204 contacts 252 – 252 contacts 300 – 300 contacts 360 – 360 contacts 402 – 402 contacts	TERMINATION 76 – Solder cup 77 – Flex circuit, 0.093" x 0.017" Ø*	PLATING 1 – Gold	HARDWARE 0256 – None 84 – Fixed jackset, reversed, #2-56 x 0.320" 91 – Guide sockets, full round, #2-56 x 0.247" 92 – Hex turning jackset, 0.200" 93 – Fixed jackset, #2-56 x 0.247" 94 – Fixed jackset, #2-56 x 0.320" 96 – Guide sockets, polarized, #2-56 x 0.320" ** 9601-9636 – Guide sockets, polarized, #2-56 x 0.320" 97 – Guide sockets, polarized, #2-56 x 0.247" ** 9701-9736 – Guide sockets, polarized, #2-56 x 0.247" 98 – Guide sockets, universal, #2-56 x 0.247"	POLARIZATION 00 – None XX – See page 141 for codes		

Notes:

- ‡ Not RoHS-compliant
- ** This hardware option is packaged unassembled (uninstalled)

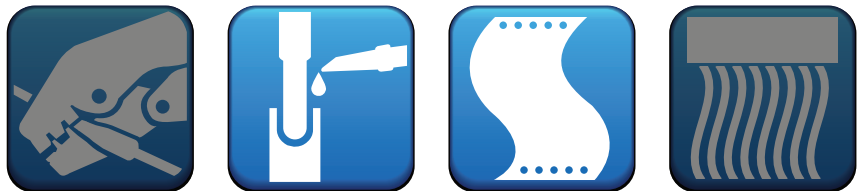
PLEASE CONSULT THE AIRBORN WEBSITE FOR THE LATEST REVISION OF THIS DOCUMENT PRIOR TO BEGINNING ANY DESIGN WORK.

CONTACT / CONTACT

Mates with

- RM632 — Six-row, straight plug
- RM672 — Six-row, right-angle plug
- RM632 — Six-row, I/O plug

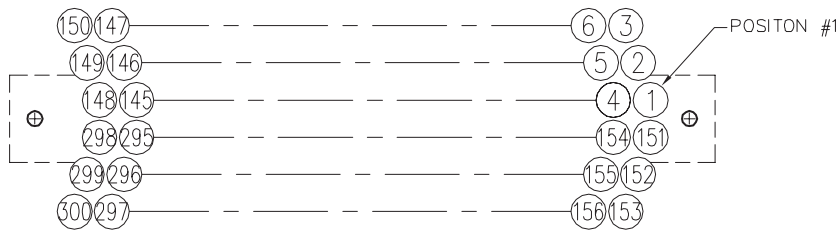
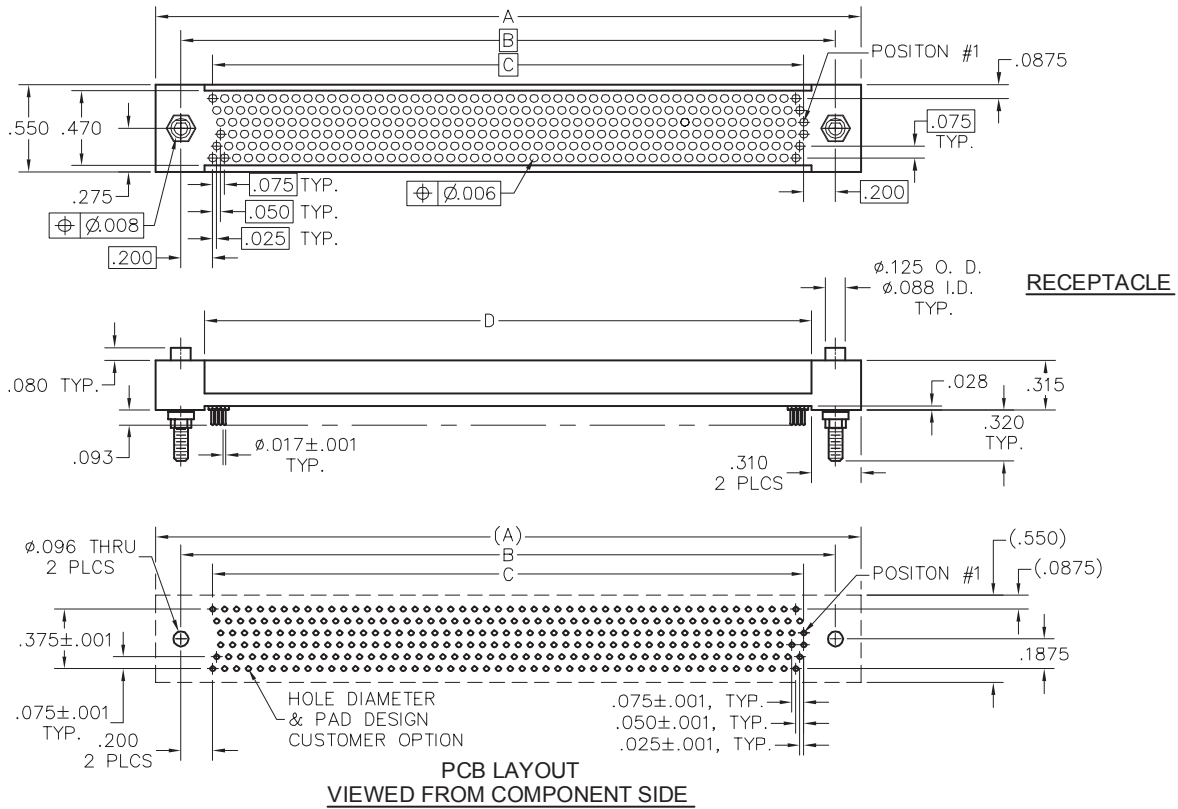
Terminations





RM – Six-Row, I/O Receptacle

Plastic ▪ 6-Row ▪ 162-402 Contacts



PIN IDENTIFICATION PATTERN
 (EXAMPLE: 300 POSITION CONNECTOR)

DIMENSIONS				
SIZE	A	B	C	D
162	2.720	2.400	2.000	2.100
204	3.245	2.925	2.525	2.625
252	3.845	3.525	3.125	3.225
300	4.445	4.125	3.725	3.825
360	5.195	4.875	4.475	4.575
402	5.720	5.400	5.000	5.100

PLEASE CONSULT THE AIRBORN WEBSITE FOR THE LATEST REVISION OF THIS DOCUMENT PRIOR TO BEGINNING ANY DESIGN WORK.

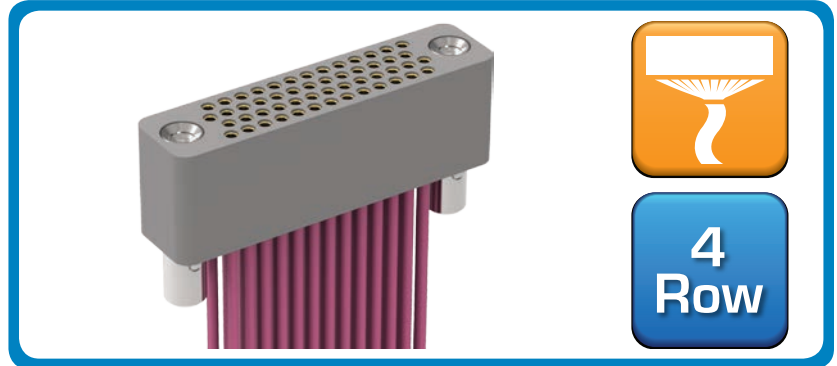


RC Series Stackable 0.075" (1.905mm)

RC4B2 – Four-Row, I/O, Stackable Receptacle

Contact Spacing: 0.075" (1.91 mm)

A full profile bodied receptacle cable connector for use at the bottom of an RC board stack application.



Sample Part Number Format: RC4B2-052-281-62ED

RC4B2						
SERIES Stackable Compliant Full-Profile 4 Rows 0.075" Spacing Bottom-of-Stack Cable Receptacle	CONFIGURATION 028 – 4 Rows/7 Columns 052 – 4 Rows/13 Columns 076 – 4 Rows/19 Columns 100 – 4 Rows/25 Columns 128 – 4 Rows/32 Columns 152 – 4 Rows/38 Columns	CONTACT 28 – Socket, crimp, 26-24 AWG 29 – Socket, crimp, 30-28 AWG	PLATING 1 – 50 μ" Au 3 – 30 μ" Au	HARDWARE 00 – None 58 – Guide socket, non-polarized 62 – Jacksocket, hex, turning	TYPE 00 – None XX – See Wire Codes on page 125	VARIATION Blank – None XXX – Consult factory

Notes:

Mated Height: Connector body height is 0.475" and is designed to mount flush to the board bottom of the mating connector.

The RC4B2 connector is designed to mate with an RC422 connector using contact option -21 (0.270" long) and -39MT hardware. This contact length and hardware combination assures proper connector mating when using boards having a thickness of 0.058"-0.125".

When guide hardware is required on the RC4B2 connector, use hardware option -3900 on the mating connector.

When jacksocket hardware is required on the RC4B2 connector, use hardware option -39MT on the mating connector.

PLEASE CONSULT THE AIRBORN WEBSITE FOR THE LATEST REVISION OF THIS DOCUMENT PRIOR TO BEGINNING ANY DESIGN WORK.

CONTACT / CONTACT

Mates with

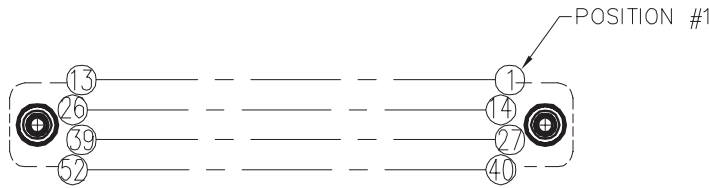
- RC422 — Four-row, straight receptacle
- RC442 — Four-row, straight receptacle

Terminations



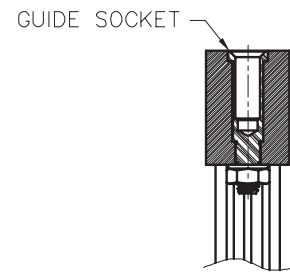
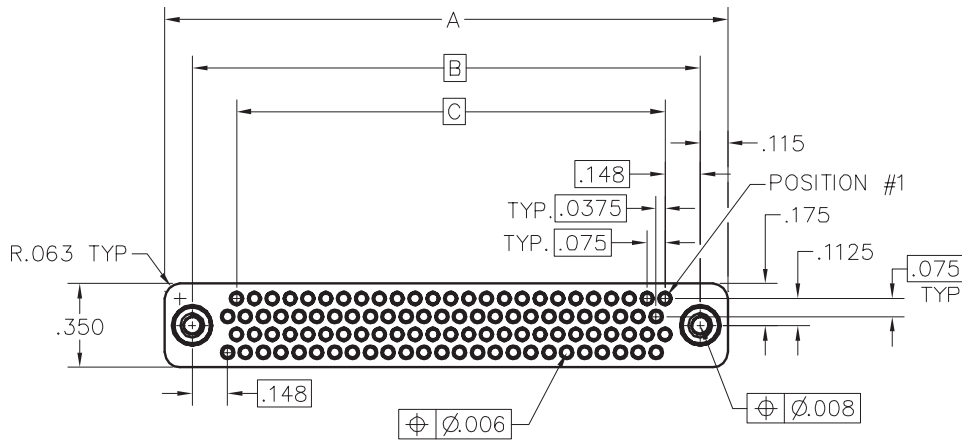
RC4B2 – Four-Row, I/O, Stackable Receptacle

Plastic ▪ 4-Row ▪ 28-152 Contacts

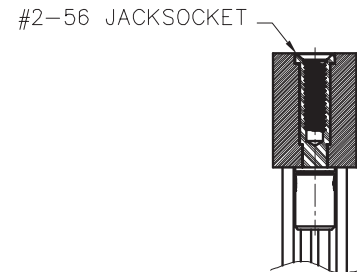
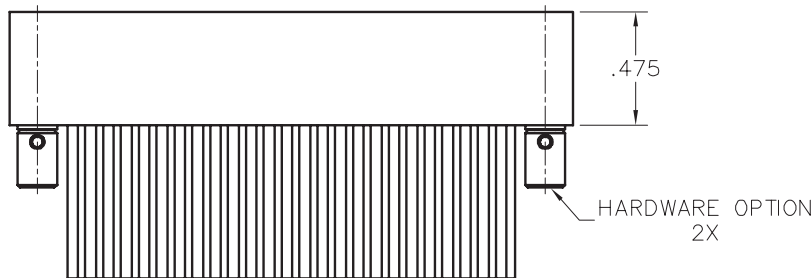


PIN IDENTIFICATION PATTERN
 (EXAMPLE: 52 POSITION CONNECTOR)

DIMENSIONS			
SIZE	A	B	C
28	1.014	.784	.450
52	1.464	1.234	.900
76	1.914	1.684	1.350
100	2.364	2.134	1.800
128	2.889	2.659	2.325
152	3.339	3.109	2.775



HARDWARE STYLE
58



HARDWARE STYLE
62

RECEPTACLE

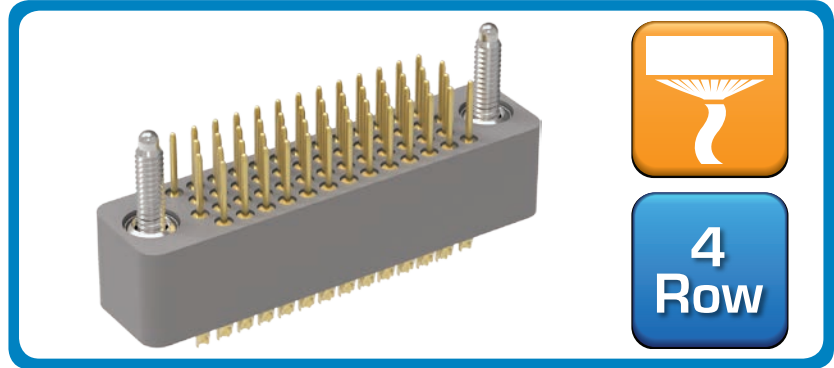
PLEASE CONSULT THE AIRBORN WEBSITE FOR THE LATEST REVISION OF THIS DOCUMENT PRIOR TO BEGINNING ANY DESIGN WORK.



RC Series Stackable 0.075" (1.905mm)

RC4 – Four-Row, I/O, Press-Fit, Cable-Mate Plug

Contact Spacing: 0.075" (1.91 mm)
 RC-Series rugged & reliable I/O connectors are available with crimp-removable, solder-cup or single-layer flex termination options.



Sample Part Number Format: RC4C2-100-111-61CB



SERIES
 0.075" Plastic Press-Fit, Stackable Connector (Plug)



BODY STYLE
 4C2 – 4-row plug with potting well



SIZE
 028 – 28 contacts
 052 – 52 contacts
 076 – 76 contacts
 100 – 100 contacts
 128 – 128 contacts
 152 – 152 contacts



TERMINATION
 111 – Pin, straight, solder cup
 151 – Pin, straight, flex circuit
 181 – Pin, straight, stranded wire (24-26 AWG)
 191 – Pin, straight, stranded wire (28-30 AWG)



HARDWARE
 00 – None
 57 – Guide pins, non-polarized
 61 – Hex turning jackscrews (requires fixed jacket hardware)



WIRING
 00 – None (solder cup or flex)
 XX – See page 125 for codes

Notes:

Cap removal tool: AirBorn part number CDG10056
 Contact removal tool: AirBorn part number CDG10057

PLEASE CONSULT THE AIRBORN WEBSITE FOR THE LATEST REVISION OF THIS DOCUMENT PRIOR TO BEGINNING ANY DESIGN WORK.

CONTACT / CONTACT

Mates with

- RC422 — Four-row, press-fit receptacle
- RC4B2 — Four-row, I/O receptacle

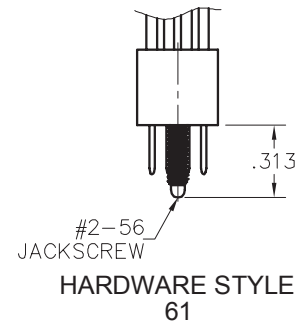
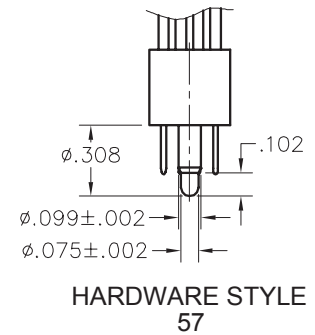
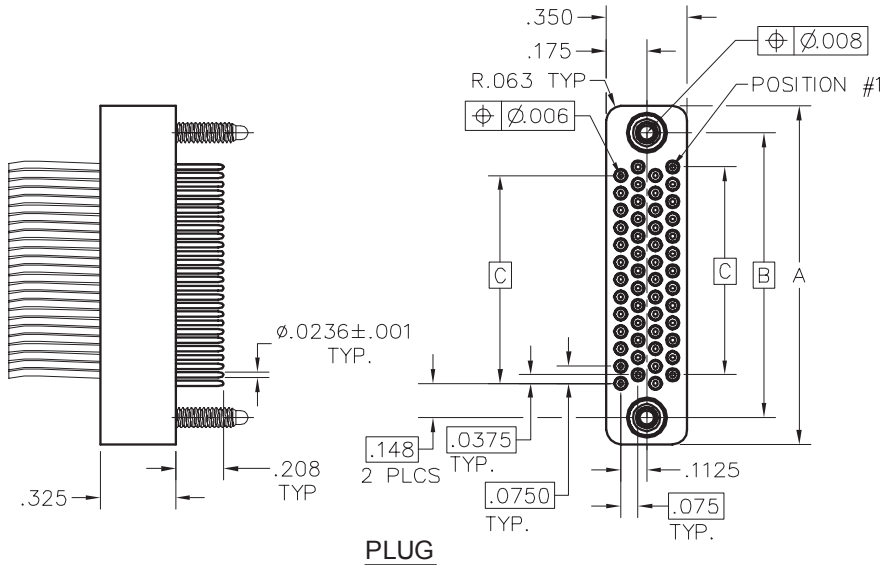
Terminations



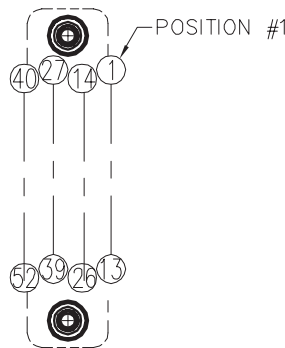


RC4 – Four-Row, I/O, Press-Fit, Cable-Mate Plug

Plastic ▪ 4-Row ▪ 28-152 Contacts



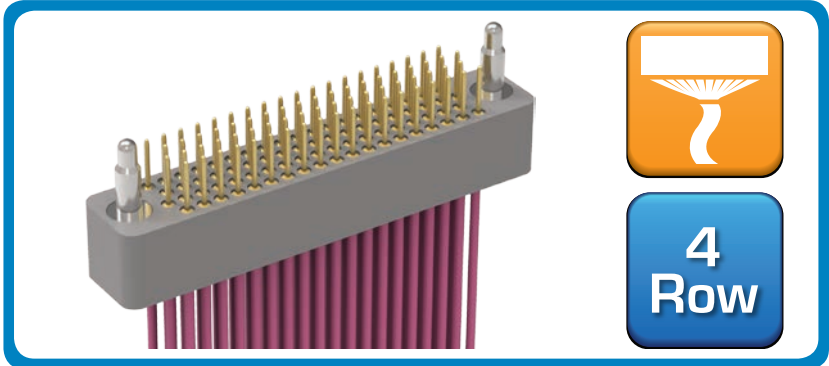
DIMENSIONS			
SIZE	A	B	C
28	1.014	.784	.450
52	1.464	1.234	.900
76	1.914	1.684	1.350
100	2.364	2.134	1.800
128	2.889	2.659	2.325
152	3.339	3.109	2.775



PLEASE CONSULT THE AIRBORN WEBSITE FOR THE LATEST REVISION OF THIS DOCUMENT PRIOR TO BEGINNING ANY DESIGN WORK.



RC Series Stackable 0.075" (1.905mm)



RC4C2 – Four-Row, I/O, Stackable Plug

Contact Spacing: 0.075" (1.91 mm)

A full profile bodied male pre-wired cable connector for use at the top of an RC board stack application.

Sample Part Number Format: RC4C2-052-181-57ED

RC4C2

SERIES
 Stackable Compliant
 Full-Profile 4 Rows 0.075"
 Spacing Top-of-Stack
 Cable Mate

[]

CONFIGURATION
 028 – 4 Rows/7 Columns
 052 – 4 Rows/13 Columns
 076 – 4 Rows/19 Columns
 100 – 4 Rows/25 Columns
 128 – 4 Rows/32 Columns
 152 – 4 Rows/38 Columns

[]

CONTACT
 11 – Pin, solder cup
 15 – Pin, flex circuit
 18 – Pin, crimp, 26-24 AWG
 19 – Pin, crimp, 30-28 AWG

[]

PLATING
 1 – 50 μ" Au
 3 – 30 μ" Au

[]

HARDWARE
 00 – None
 57 – Guide pin, non-polarized
 61 – Jackscrew, hex, turning*

[]

TYPE
 00 – None
 XX – See Wire Codes
 on page 125

[]

VARIATION
 Blank – None
 XXX – Consult factory

Notes:

Mated Height: Connector body height is 0.325" and is designed to mount flush to the mating connector.

* To use the -61 jackscrew hardware option, the fixed jacknut hardware (-XXMT) must be in place on the mating board connector.

PLEASE CONSULT THE AIRBORN WEBSITE FOR THE LATEST REVISION OF THIS DOCUMENT PRIOR TO BEGINNING ANY DESIGN WORK.

CONTACT / CONTACT

Mates with

RC422 — Four-row, straight receptacle

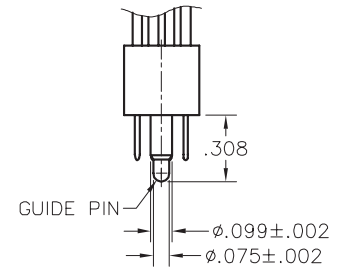
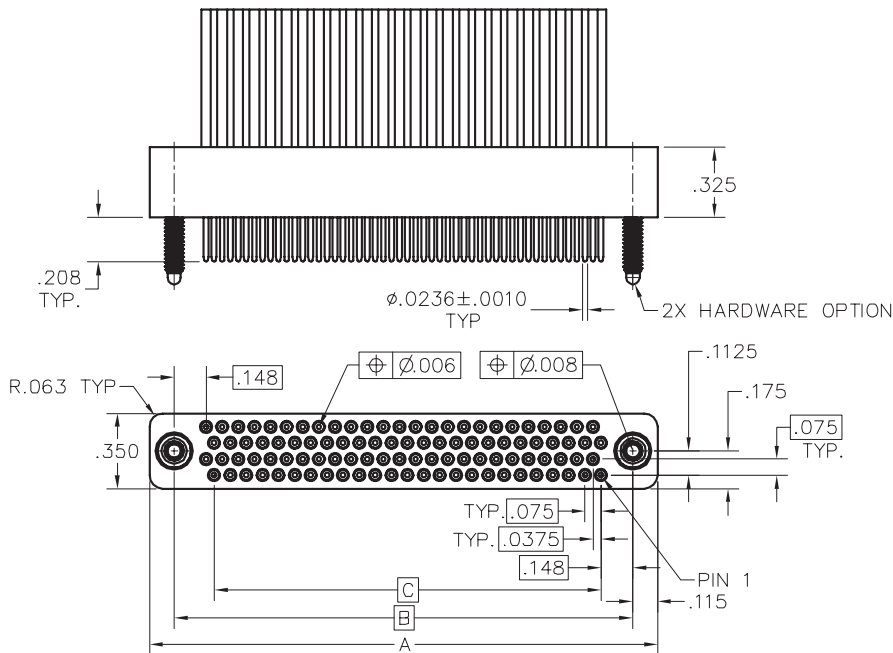
Terminations



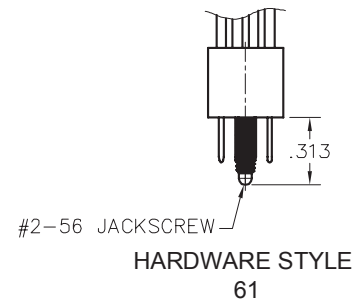


RC4C2 – Four-Row, I/O, Stackable Plug

Plastic ▪ 4-Row ▪ 28-152 Contacts

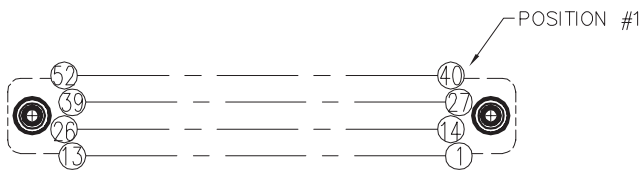


HARDWARE STYLE
57



#2-56 JACKSCREW
HARDWARE STYLE
61

PLUG



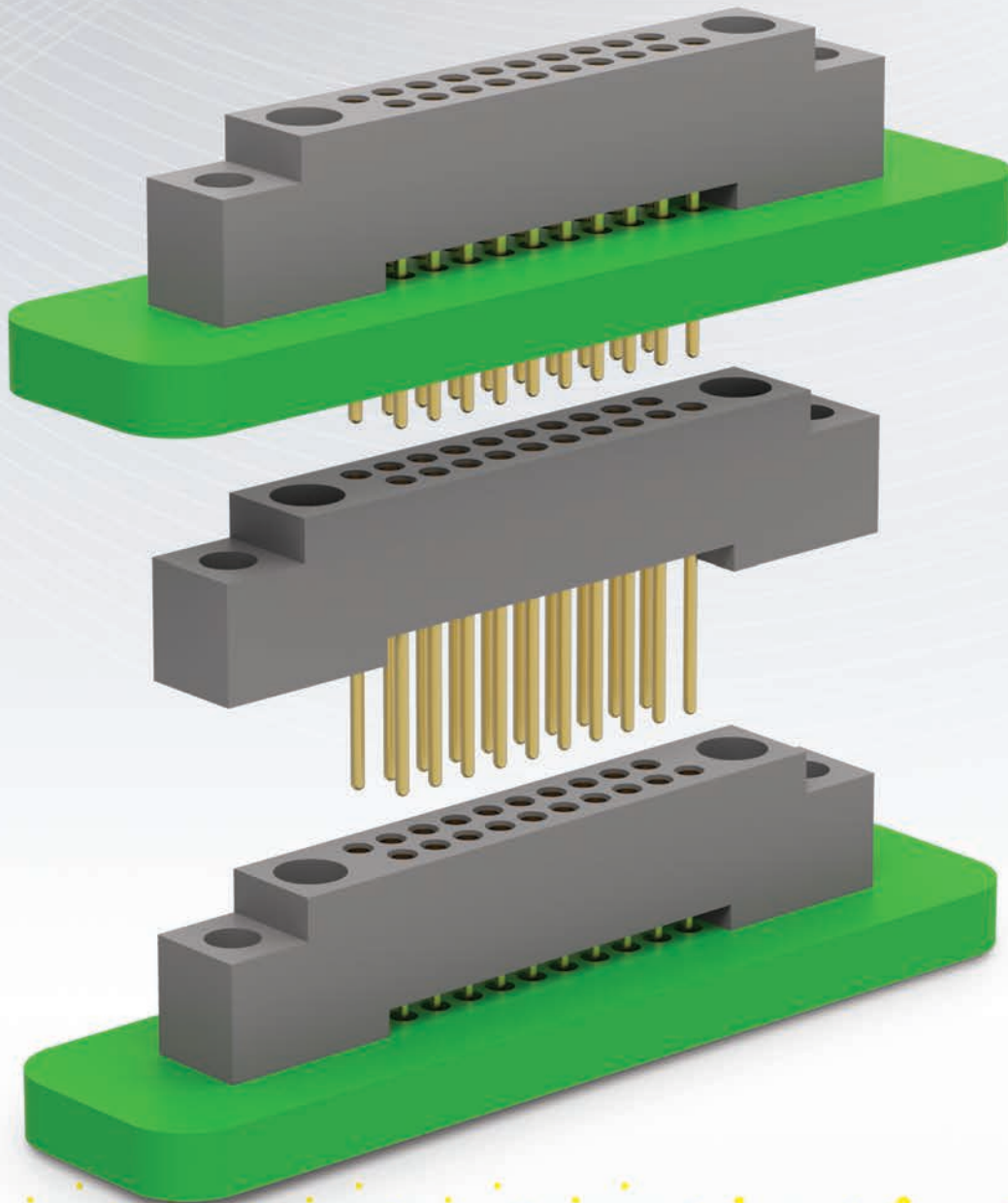
PIN IDENTIFICATION PATTERN
 (EXAMPLE: 52 POSITION CONNECTOR)

DIMENSIONS			
SIZE	A	B	C
28	1.014	.784	.450
52	1.464	1.234	.900
76	1.914	1.684	1.350
100	2.364	2.134	1.800
128	2.889	2.659	2.325
152	3.339	3.109	2.775

PLEASE CONSULT THE AIRBORN WEBSITE FOR THE LATEST REVISION OF THIS DOCUMENT PRIOR TO BEGINNING ANY DESIGN WORK.

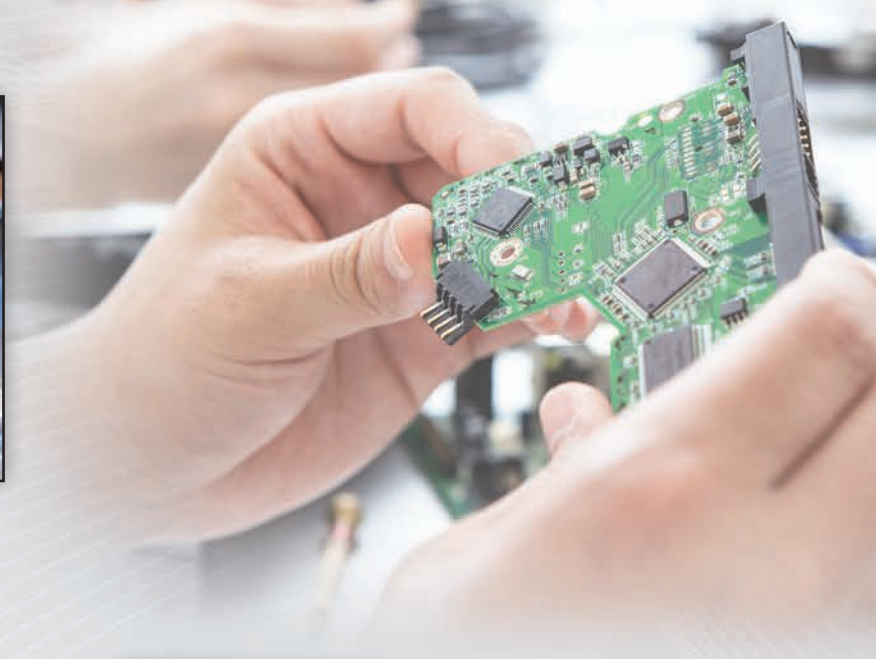
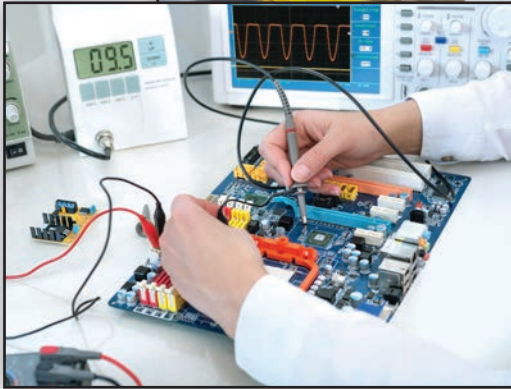


R-Series Connector Accessories



R-Series Connectors

0.075" (1.905 mm)



R-Series contains "connector savers", designed to withstand the rigors of repeated mating and un-mating during testing and qualification.

AirBorn also offers essential tools needed to prepare crimped wire terminations.

- 10-206 contacts (connector savers)
- Connector saver receptacles used for continuous mating/un-mating testing
- Crimping, crimp positioner & crimp removal tools

Now you're **AirBorn Connected[®]**

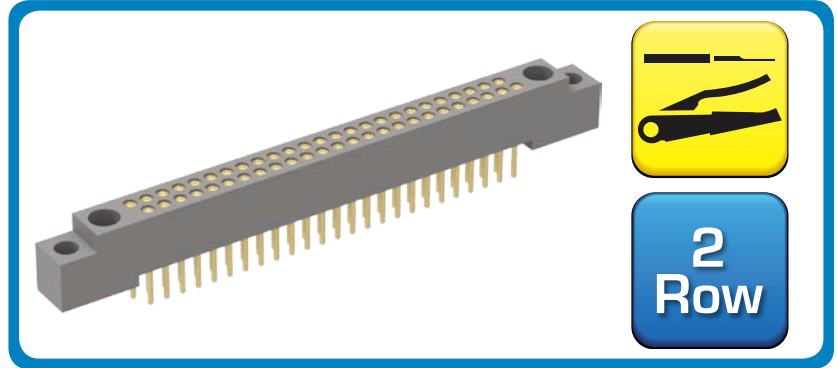


R Series High-Density 0.075" (1.905mm)

RM – Two-Row, Connector Saver Receptacle

Contact Spacing: 0.075" (1.91 mm)

R-Series products are high-density, plastic connectors commonly used in board-to-board applications. Approved to MIL-55302 standard.



Sample Part Number Format: RM222-100-291-0256

RM	2	2	2	29	1	0256
SERIES 0.075" Plastic Rectangular Connector (Receptacle)	ROWS 2 – 2-Row (10-100 contacts)	STYLE 2 – Receptacle, straight with mounting ears 4 – Receptacle, straight without mounting ears	BODY MATERIAL 2 – Polyphenylene sulfide (PPS)	SIZE 010 – 10 contacts 020 – 20 contacts 030 – 30 contacts 040 – 40 contacts 050 – 50 contacts 060 – 60 contacts 070 – 70 contacts 080 – 80 contacts 090 – 90 contacts 100 – 100 contacts	PLATING 1 – Gold	HARDWARE 0256 – None
				TERMINATION 29 – Connector saver, 0.150" x 0.025" Ø **		

Notes:

- ‡ Not RoHS-compliant
- ** See page 146 for stackable and connector saver information.

PLEASE CONSULT THE AIRBORN WEBSITE FOR THE LATEST REVISION OF THIS DOCUMENT PRIOR TO BEGINNING ANY DESIGN WORK.

Mates with

- RM212 & RM232 — Two-row, straight plug
- RM252 & RM272 — Two-row, right-angle plug
- RA2 — Two-row, I/O plug
- RM2 — Two-row, I/O plug

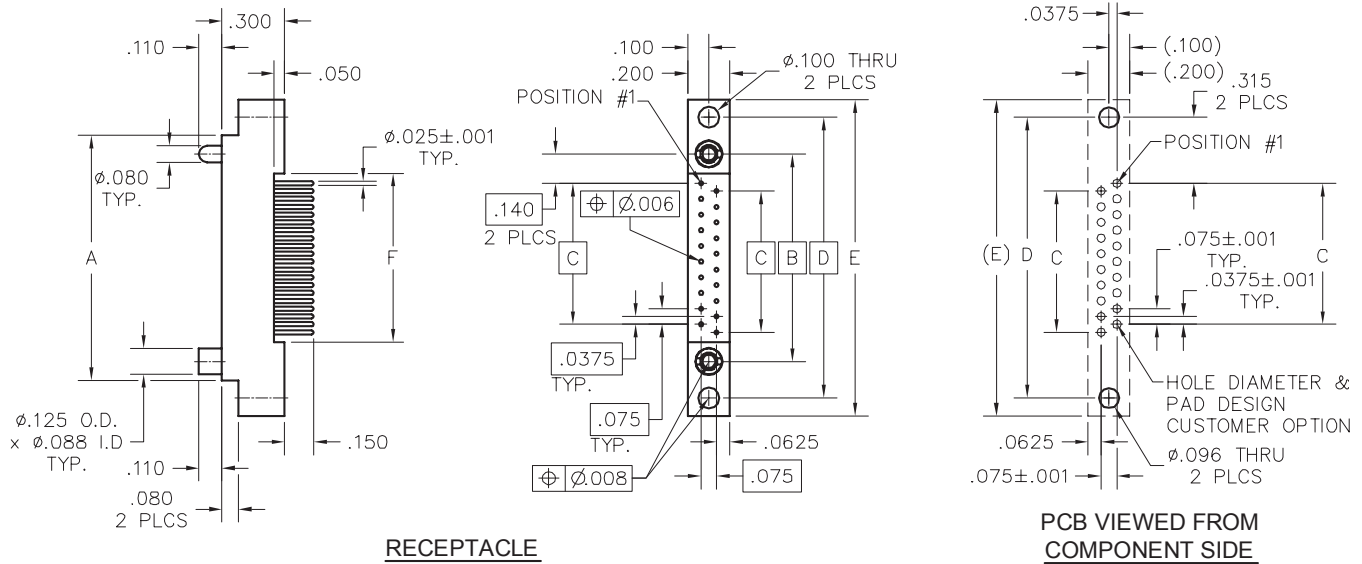
Terminations

ACCESSORIES

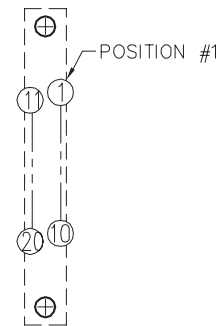


RM – Two-Row, Connector Saver Receptacle

Plastic ▪ 2-Row ▪ 10-100 Contacts



DIMENSIONS						
SIZE	A	B	C	D	E	F
10	.797	.617	.300	.967	1.137	.432
20	1.172	.992	.675	1.342	1.512	.807
30	1.547	1.367	1.050	1.717	1.887	1.182
40	1.922	1.742	1.425	2.092	2.262	1.557
50	2.297	2.117	1.800	2.467	2.637	1.932
60	2.672	2.492	2.175	2.842	3.012	2.307
70	3.047	2.867	2.550	3.217	3.387	2.682
80	3.422	3.242	2.925	3.592	3.762	3.057
90	3.797	3.617	3.300	3.967	4.137	3.432
100	4.172	3.992	3.675	4.342	4.512	3.807



PIN IDENTIFICATION PATTERN
 (EXAMPLE: 20 POSITION CONNECTOR)

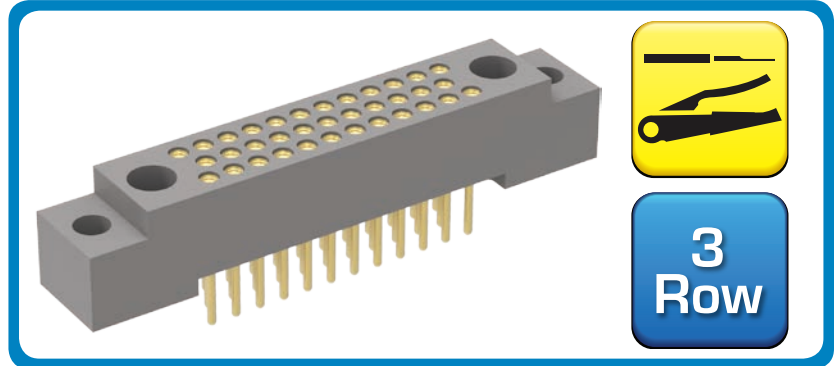
PLEASE CONSULT THE AIRBORN WEBSITE FOR THE LATEST REVISION OF THIS DOCUMENT PRIOR TO BEGINNING ANY DESIGN WORK.



R Series High-Density 0.075" (1.905mm)

RM – Three-Row, Connector Saver Receptacle

Contact Spacing: 0.075" (1.91 mm)
 R-Series products are high-density, plastic connectors commonly used in board-to-board applications. Approved to MIL-55302 standard.



Sample Part Number Format: RM322-152-291-0256

RM	3	2	29	1	0256	
SERIES 0.075" Plastic Rectangular Connector (Receptacle)	ROWS 3 – 3-Row (11-206 contacts)	STYLE 2 – Receptacle, straight with mounting ears 4 – Receptacle, straight without mounting ears	BODY MATERIAL 2 – Polyphenylene sulfide (PPS)	SIZE 011 – 11 contacts 023 – 23 contacts 035 – 35 contacts 047 – 47 contacts 059 – 59 contacts 071 – 71 contacts 080 – 80 contacts 092 – 92 contacts 104 – 104 contacts 122 – 122 contacts 140 – 140 contacts 152 – 152 contacts 182 – 182 contacts 206 – 206 contacts	PLATING 1 – Gold	HARDWARE 0256 – None
				TERMINATION 29 – Connector saver, 0.150" x 0.025" Ø**		

Notes:
 ‡ Not RoHS-compliant
 ** See page 146 for stackable and connector saver information.

PLEASE CONSULT THE AIRBORN WEBSITE FOR THE LATEST REVISION OF THIS DOCUMENT PRIOR TO BEGINNING ANY DESIGN WORK.

ACCESSORIES

Mates with

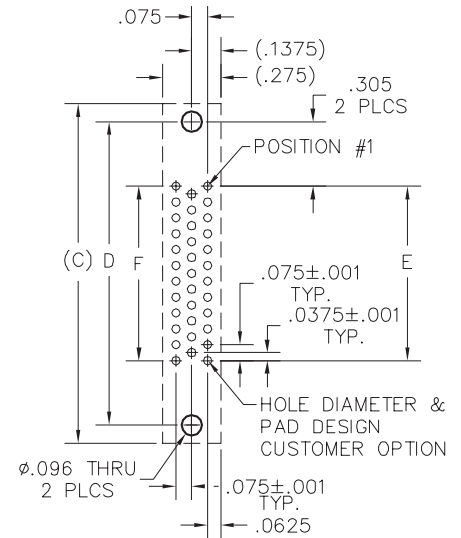
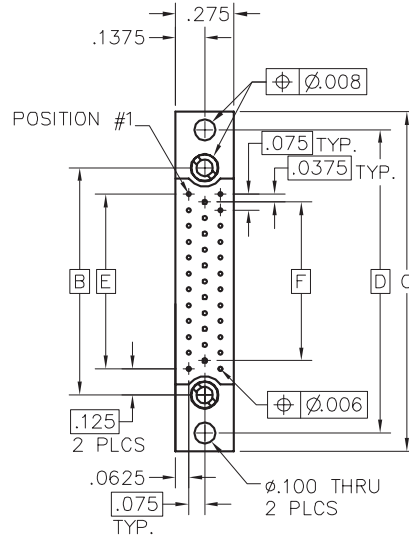
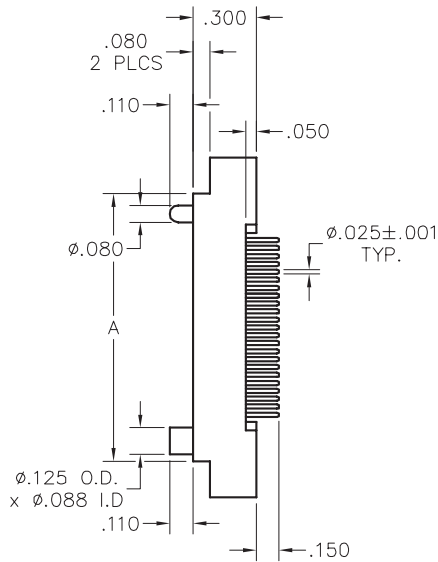
- RM312 & RM332 — Three-row, straight plug
- RM352 & RM372 — Three-row, right-angle plug
- RA3 — Three-row, I/O plug
- RM3 — Three-row, I/O plug

Terminations



RM – Three-Row, Connector Saver Receptacle

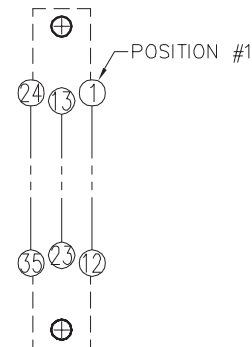
Plastic ▪ 3-Row ▪ 11-206 Contacts



RECEPTACLE

PCB LAYOUT
VIEWED FROM COMPONENT SIDE

DIMENSIONS						
SIZE	A	B	C	D	E	F
11	.665	.475	1.005	.835	.225	.150
23	.965	.775	1.305	1.135	.525	.450
35	1.265	1.075	1.605	1.435	.825	.750
47	1.565	1.375	1.905	1.735	1.125	1.050
59	1.865	1.675	2.205	2.035	1.425	1.350
71	2.165	1.975	2.505	2.335	1.725	1.650
80	2.390	2.200	2.730	2.560	1.950	1.875
92	2.690	2.500	3.030	2.860	2.250	2.175
104	2.990	2.800	3.330	3.160	2.550	2.475
122	3.440	3.250	3.780	3.610	3.000	2.925
140	3.890	3.700	4.230	4.060	3.450	3.375
152	4.190	4.000	4.530	4.360	3.750	3.675
182	4.940	4.750	5.280	5.110	4.500	4.425
206	5.540	5.350	5.880	5.710	5.100	5.025



PIN IDENTIFICATION PATTERN
 (EXAMPLE: 35 POSITION
 CONNECTOR)

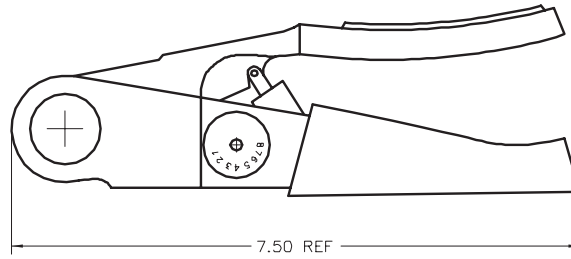
PLEASE CONSULT THE AIRBORN WEBSITE FOR THE LATEST REVISION OF THIS DOCUMENT PRIOR TO BEGINNING ANY DESIGN WORK.



RA Crimp Accessories

Crimp Tool

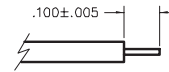
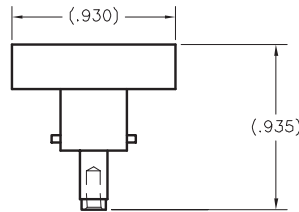
TC2963 - CRIMP TOOL
 REF M22520/2-01



Crimp Positioner

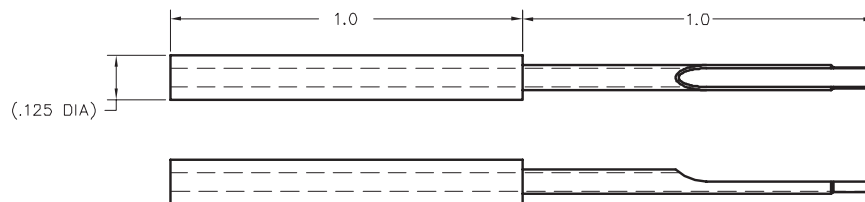
USE WITH RA/RH			
STYLE 1 OR 2			
SEL#	2	2	
AWG	28	30	
STYLE 3 OR 4			
SEL#	4	3	2
AWG	22	24	26
CDG16781			

TOOL SELECTION TABLE	
CONTACT	POSITIONER
RA000-001-100-0000	CDG16781
RA000-001-200-0000	
RA000-001-300-0000	
RA000-001-400-0000	

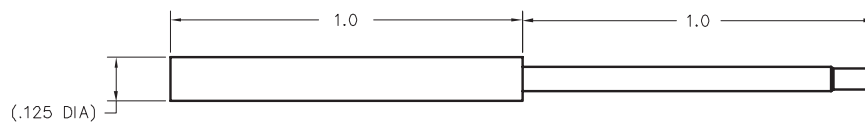


INSULATION STRIPPING
 EXPOSE .100 BARE WIRE
 LENGTH FOR INSERTION INTO
 CONTACT.

Insertion Tool - CDG17256



Removal Tool - CDG17257




PLEASE CONSULT THE AIRBORN WEBSITE FOR THE LATEST REVISION OF THIS DOCUMENT PRIOR TO BEGINNING ANY DESIGN WORK.



Wire Codes

USING WIRE CODES

RA2H2-020-2HC-5900

Type and Color  Length

CODE	SIZE	COLOR
MIL-W-16878/4		
A	22 AWG	Ten - Repeating
B	22 AWG	White
C	24 AWG	Ten - Repeating
D	24 AWG	White
E	26 AWG	Ten - Repeating
F	26 AWG	White
G	28 AWG	Ten - Repeating
H	28 AWG	White
J	30 AWG	Ten - Repeating
K	30 AWG	White
MIL-W-22759/33		
L	22 AWG	Ten - Repeating
M	22 AWG	White
N	24 AWG	Ten - Repeating
P	24 AWG	White
R	26 AWG	Ten - Repeating
S	26 AWG	White
T	28 AWG	Ten - Repeating
U	28 AWG	White
V	30 AWG	Ten - Repeating
W	30 AWG	White

CODE	LENGTH (+1"/-0")
A	6"
B	12"
C	18"
D	24"
E	30"
F	36"
G	42"
H	48"
J	54"
K	60"
L	66"
M	72"
N	84"
P	96"
R	108"
S	120"

Color Sequence for Ten Repeating Wire Colors

(Beginning in Position #1)

- Black
- Brown
- Red
- Orange
- Yellow
- Green
- Blue
- Violet
- Grey
- White

PLEASE CONSULT THE AIRBORN WEBSITE FOR THE LATEST REVISION OF THIS DOCUMENT PRIOR TO BEGINNING ANY DESIGN WORK.



RM Specifications

Contacts	<p>Pins: BeCu per ASTM-B196, ASTM-B197 / B197M or brass alloy per ASTM-B16 / B16M or ASTM-B134 / B134M</p> <p>Sockets: BeCu per ASTM-B194 and/or ASTM-B196, ASTM-B197/B197M or Brass per ASTM-B16 / B16M or ASTM-B134 / B134M</p>
Contact Finish	Gold plate per MIL-DTL-45204, ASTM-B488, SAE AMS-2422 or localized finish per MIL-C-55302
Solder	<p>Sn/Pb alloy: 63% tin, 37% lead composition[‡]</p> <p>SAC305: 96.5% tin, 3.0% silver, 0.5% copper composition</p>
Molded Insulators	Glass-filled polyphenylene sulfide per MIL-M-24519, Type GST-40F
Jackscrews/sockets and Knobs	Stainless steel per ASTM-A582 / A582M, passivated per ASTM-A967, SAE AMS-QQ-P-35, AMS 2700
Guide Pins/Sockets	Stainless steel per ASTM A582 / A582M, passivated per ASTM A967, SAE AMS-QQ-P-35, AMS 2700
Guide Sockets – Polarized, Type “D”	BeCu per ASTM-B196, ASTM-B197 / B197M, nickel-plated per SAE AMS-QQ-N-290
Connector Markings	Contact numbers are stamped on the side of the connector. Numbers are stamped on the low-numbered side only on 2- and 3-row right-angle connectors.
Tolerances	<p>Unless otherwise specified:</p> <ul style="list-style-type: none"> Fractions = $\pm 1/64$" Decimals = ± 0.010" Angles = $\pm 5^\circ$ Datums for the contact, hardware and mounting locations are the X & Y centerlines of the contact pattern

[‡] Not RoHS-compliant

Note: Pre-tinning of connector leads can result in the termination length extending beyond the upper tolerance.

PLEASE CONSULT THE AIRBORN WEBSITE FOR THE LATEST REVISION OF THIS DOCUMENT PRIOR TO BEGINNING ANY DESIGN WORK.



RM Performance (Reference MIL-C-55302)

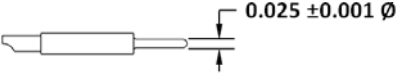
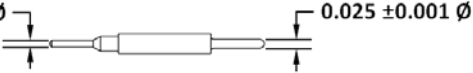

Contact Rating	3 amperes (2 amperes for 0.016" diameter)
Solderability	Terminals (except Wire-Wrap®, crimp and stackables) tested in accordance with MIL-STD-202, Method 208
Wire Size	Stranded #26 AWG
Operating Temp.	-65° to +125° C or -85° to +257° F
Test Voltage	750 V, RMS, 60 Hz @ sea level per EIA-364-20, Method A 250 V, RMS, 60 Hz @ 70,000 feet per EIA-364-20, Method A
Insulation Resistance	5,000 megohms minimum @ 500 VDC per EIA-364-20
Durability	500 connector mating cycles
Vibration	Mated connectors, Test Condition III per EIA-364-28
Shock	Mated connectors, Test Condition G per EIA-364-27
Salt Spray	Mated connectors, Test Condition B per EIA-364-26
Humidity	Mated connectors tested per EIA-364-31, Type II (except steps 7a and 7b)
Thermal Shock	Tested to the temperature extremes of EIA-364-32, Test Condition A
Contact Resistance	.015 ohms max (interface measurement) @ 3 amperes per EIA-364-06
Connector Mating Force	2.5 oz x number of contacts average
Outgassing	The entire connector assembly shall have max total mass loss (TML) of 1.0 percent of the original specimen mass and shall have a maximum volatile condensable material (VCM) content of 0.1 percent of the original specimen mass.
Sizes 50+	Upon engagement, center area of mating faces may remain open .010" to .025" due to slight flexing of molding. Vibration or shock should provide complete closure.
Guides and Jacks	If location of pin or socket contacts is reversed, location of male and female guides or jacks is also reversed; except when using "D" shaped polarized guides. When polarized positions are changed, apply Loctite® 242 or equivalent to threads.

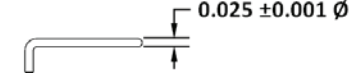
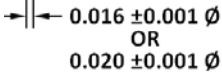
PLEASE CONSULT THE AIRBORN WEBSITE FOR THE LATEST REVISION OF THIS DOCUMENT PRIOR TO BEGINNING ANY DESIGN WORK.



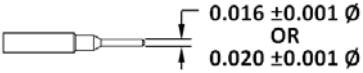
R-Series Contacts (2- and 3-Row)


Pins

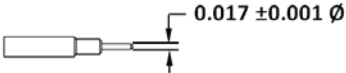
- 
- 11 Pin, straight, solder cup
- 
- 10 Pin, straight, Plated thru-hole, 0.109"
 12 Pin, straight, Plated thru-hole, 0.140"
 13 Pin, straight, Plated thru-hole, 0.172"
 14 Pin, straight, Plated thru-hole, 0.250"
- 
- 15 Pin, straight, flex circuit, 0.093"


- 
- 31 Pin, right-angle, Plated thru-hole, 0.109" x 0.020"
 32 Pin, right-angle, Plated thru-hole, 0.140" x 0.020"
 33 Pin, right-angle, Plated thru-hole, 0.172" x 0.020"
 34 Pin, right-angle, Plated thru-hole, 0.109" x 0.016"
 32 Pin, right-angle, Plated thru-hole, 0.140" x 0.016"
 33 Pin, right-angle, Plated thru-hole, 0.172" x 0.016"
- 
- OR
 0.020 ± 0.001 ∅

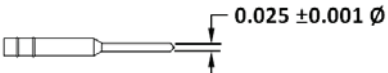
Sockets

- 
- 20 Socket, straight, Plated thru-hole, 0.109" x 0.020"
 21 Socket, straight, Plated thru-hole, 0.140" x 0.020"
 22 Socket, straight, Plated thru-hole, 0.172" x 0.020"
 23 Socket, straight, Plated thru-hole, 0.250" x 0.020"
 50 Socket, straight, Plated thru-hole, 0.140" x 0.016"
 51 Socket, straight, Plated thru-hole, 0.172" x 0.016"

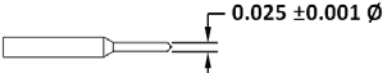
- 
- 24 Socket, straight, solder cup

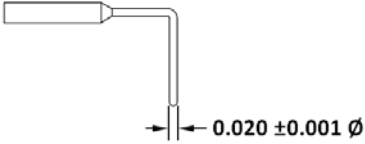
- 
- 25 Socket, straight, flex circuit, 0.093"

- 
- 64 Socket, straight, press-fit, 0.203" (Board: 0.093"-0.125")
 65 Socket, straight, press-fit, 0.323" (Board: 0.156"-0.200")
 66 Socket, straight, press-fit, 0.403" (Board: ≤ 0.250")

- 
- 53 Socket, straight, stackable, 0.212" (Board: 0.062")
 54 Socket, straight, stackable, 0.244" (Board: 0.094")
 55 Socket, straight, stackable, 0.275" (Board: 0.125")

- 
- 57 Socket, straight, crimp-removable (20-22 AWG)
 58 Socket, straight, crimp-removable (24-26 AWG)
 59 Socket, straight, crimp-removable (28-30 AWG)

- 
- 29 Socket, connector saver, 0.150"

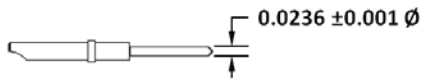
- 
- 44 Socket, right-angle, Plated thru-hole, 0.109"
 45 Socket, right-angle, Plated thru-hole, 0.140"
 46 Socket, right-angle, Plated thru-hole, 0.172"
 47 Socket, right-angle, Plated thru-hole, 0.250"

PLEASE CONSULT THE AIRBORN WEBSITE FOR THE LATEST REVISION OF THIS DOCUMENT PRIOR TO BEGINNING ANY DESIGN WORK.

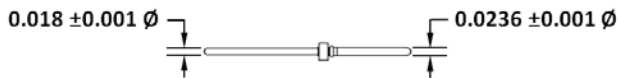


R-Series Contacts (4-Row)

Pins



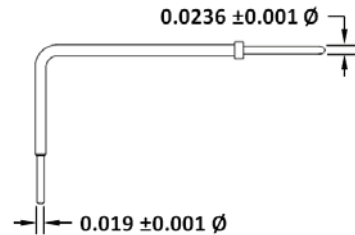
17 Pin, straight, solder cup



51 Pin, straight, Plated thru-hole, 0.109"
 52 Pin, straight, Plated thru-hole, 0.140"
 53 Pin, straight, Plated thru-hole, 0.172"

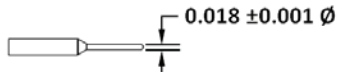


19 Pin, SMT, 0.014" x 0.007, scored for organizer removal
 39 Pin, SMT, 0.014" x 0.007, unscored

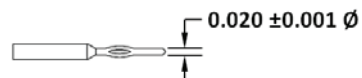


31 Pin, right-angle, Plated thru-hole, 0.109" x 0.019"
 32 Pin, right-angle, Plated thru-hole, 0.140" x 0.019"
 33 Pin, right-angle, Plated thru-hole, 0.172" x 0.019"

Sockets



75 Socket, straight, Plated thru-hole, 0.250"
 81 Socket, straight, Plated thru-hole, 0.109"
 82 Socket, straight, Plated thru-hole, 0.140"
 83 Socket, straight, Plated thru-hole, 0.172"



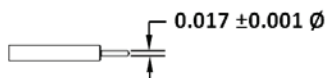
87 Socket, straight, press-fit, 0.188" (Board: 0.093"–0.125")
 88 Socket, straight, press-fit, 0.308" (Board: 0.156"–0.200")
 89 Socket, straight, press-fit, 0.388" (Board: ≤ 0.250")



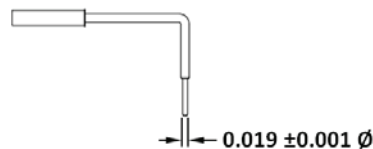
76 Socket, straight, solder cup



57 Socket, straight, crimp-removable (20–22 AWG)
 58 Socket, straight, crimp-removable (24–26 AWG)
 59 Socket, straight, crimp-removable (28–30 AWG)



77 Socket, straight, flex circuit, 0.093"



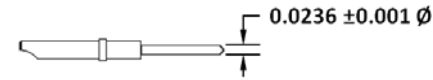
84 Socket, right-angle, Plated thru-hole, 0.109"
 85 Socket, right-angle, Plated thru-hole, 0.140"
 86 Socket, right-angle, Plated thru-hole, 0.172"

PLEASE CONSULT THE AIRBORN WEBSITE FOR THE LATEST REVISION OF THIS DOCUMENT PRIOR TO BEGINNING ANY DESIGN WORK.

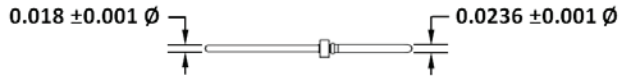


R-Series Contacts (6-Row)

Pins



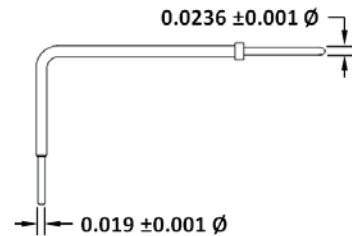
17 Pin, straight, solder cup



- 51 Pin, straight, Plated thru-hole, 0.109"
- 52 Pin, straight, Plated thru-hole, 0.140"
- 53 Pin, straight, Plated thru-hole, 0.172"
- 54 Pin, straight, Plated thru-hole, 0.250"

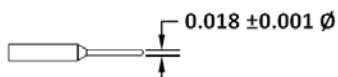


19 Pin, SMT, 0.014" x 0.007"

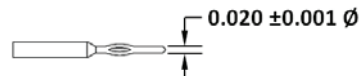


- 31 Pin, right-angle, Plated thru-hole, 0.109" x 0.019"
- 32 Pin, right-angle, Plated thru-hole, 0.140" x 0.019"
- 33 Pin, right-angle, Plated thru-hole, 0.172" x 0.019"
- 34 Pin, right-angle, Plated thru-hole, 0.250" x 0.019"

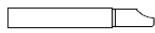
Sockets



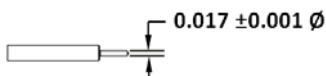
- 81 Socket, straight, Plated thru-hole, 0.109"
- 82 Socket, straight, Plated thru-hole, 0.140"
- 83 Socket, straight, Plated thru-hole, 0.172"



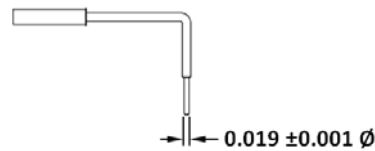
- 87 Socket, straight, press-fit, 0.203" (Board: 0.093"–0.125")
- 88 Socket, straight, press-fit, 0.308" (Board: 0.156"–0.200")
- 89 Socket, straight, press-fit, 0.403" (Board: ≤ 0.250")



76 Socket, straight, solder cup



77 Socket, straight, flex circuit, 0.093"

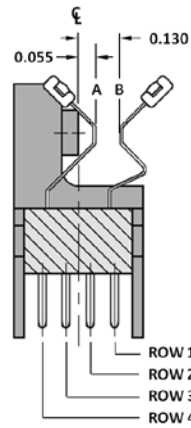


- 84 Socket, right-angle, Plated thru-hole, 0.109"
- 85 Socket, right-angle, Plated thru-hole, 0.140"
- 86 Socket, right-angle, Plated thru-hole, 0.172"

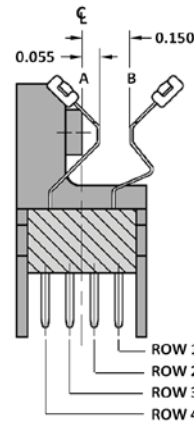
PLEASE CONSULT THE AIRBORN WEBSITE FOR THE LATEST REVISION OF THIS DOCUMENT PRIOR TO BEGINNING ANY DESIGN WORK.



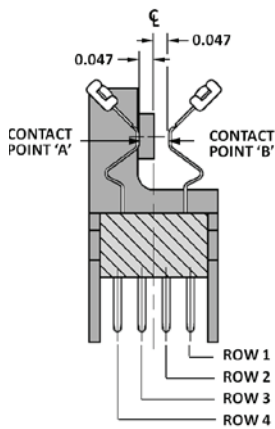
RM SMT Configuration Options



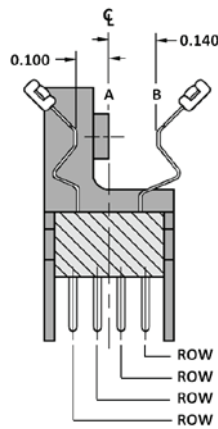
STYLE 925



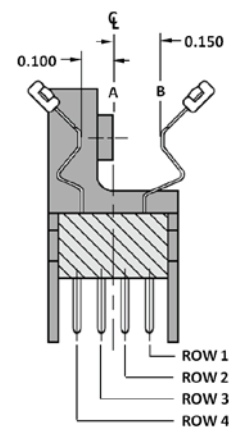
STYLE 927



STYLE 933



STYLE 946

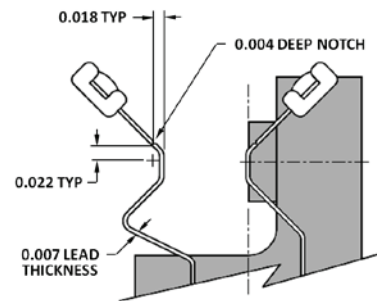


STYLE 947

DISTANCE FROM CONTACT POINT TO CENTER LINE			
OPTION CODE	A	A or B	B
1	0.005	-	-
2	0.055	-	-
3	-	0.047	-
4	-	0.100	-
5	-	0.130	-
6	-	0.140	-
7	-	0.150	-
8	-	0.070	-
9	-	0.080	-
0	-	-	0.090

NOTES:

1. All SMT option codes begin with '9', i.e. 9AB
2. Various board thicknesses can be accommodated by specifying A and B designators. Ex. 946
3. Consult factory for other available options



CONTACT NOTCH DETAIL

PLEASE CONSULT THE AIRBORN WEBSITE FOR THE LATEST REVISION OF THIS DOCUMENT PRIOR TO BEGINNING ANY DESIGN WORK.



#2-56 Jacksets (2- and 3-Row)

Fixed Jacksets



2900	Fixed jackset	1900	Two fixed jackscrews
3000	Fixed jackset, reversed	2900	Two fixed jackscrews

Fixed Jacksets, Long



8800	Fixed jackset, long
8900	Fixed jackset, long, reversed
9000	Two fixed jackscrews, long
9100	Two fixed jackscrews, long

Turning Jacksets

Internal Hex or Slotted



SLOTTED

5100	Turning jackset, 0.700"
5200	Turning jackset, 0.700", reversed
5300	Two turning jackscrews, 0.700"
5400	Two turning jackscrews, 0.700"
6400	Turning jackset, 0.490"
6500	Turning jackset, 0.490", reversed
6600	Two turning jackscrews, 0.490"
6700	Two turning jackscrews, 0.490"
6800	Turning jackset, 0.545"
6900	Turning jackset, 0.545", reversed
7000	Two turning jackscrews, 0.545"
7100	Two turning jackscrews, 0.545"

HEX

7200	Turning jackset (hex), 0.490"
7300	Turning jackset (hex), 0.490", reversed
7400	Two turning jackscrews (hex), 0.490"
7500	Two turning jackscrews (hex), 0.490"
7600	Turning jackset (hex), 0.545"
7700	Turning jackset (hex), 0.545", reversed
7800	Two turning jackscrews (hex), 0.545"
7900	Two turning jackscrews (hex), 0.545"
8000	Turning jackset (hex), 0.700"
8100	Turning jackset (hex), 0.700", reversed
8200	Two turning jackscrews (hex), 0.700"
8300	Two turning jackscrews (hex), 0.700"

Low-Profile Jacksets

Internal Hex



5900	Turning jackset (hex), 0.200"
6000	Turning jackset (hex), 0.200", reversed
6100	Two turning jackscrews (hex), 0.200"
6200	Two turning jackscrews (hex), 0.200"

Hardware Only

AirBorn part numbers for hardware, only follow this pattern:

RM000-000-000-#### ◀ Insert 4-digit hardware type here

Example: RM000-000-000-5100

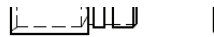
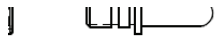
Notes:

- For spanner nut wrench, order part number TN1680.
- When installing fixed jacksets, apply Loctite® to threads.

PLEASE CONSULT THE AIRBORN WEBSITE FOR THE LATEST REVISION OF THIS DOCUMENT PRIOR TO BEGINNING ANY DESIGN WORK.

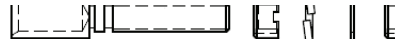


Guide Sets (2- and 3-Row)



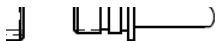
- 5500 Guide set
- 5600 Guide set, reversed
- 5700 Two guide pins
- 5800 Two guide sockets

Long Guide Sets



- 8400 Guide set, long
- 8500 Guide set, long, reversed
- 8600 Two guide pins, long
- 8700 Two guide sockets, long

Polarized Guide Sets



5501 – 5564 and 5570
 Note: For polarization options, see page 140

Universal Test Guide Sets



5565 – 5568
 Note: For polarization options, see page 140

Dimensions for Jackset and Guide Set Drawings

HW TYPE	A	C	D	E	F	H	K	L	M	N	P
1900,2000,2900,3000	—	0.390	0.240	—	#2-56 UNC thread	0.125 dia.	—	—	0.125 dia.	—	—
5100 – 5400	0.700	0.750		0.031 x 0.031 slot			0.125 diameter	0.156 diameter	—	—	—
5500 – 5800	—	0.390		—			—	0.125 diameter	0.080 dia.	0.088 dia.	
5501 – 5564	—			—			—		—	0.068	0.076
5565 – 5568	—			—			—		—	0.056 sq.	0.088 dia.
5900 – 6200	0.200	0.500		5/64 int. hex			—	0.140 dia.	—	—	—
6400 – 6700	0.490	0.750		0.031 x 0.031 slot			0.125 diameter	0.156 diameter	—	—	—
6800 – 7100	0.545			—					—	—	
7200 – 7500	0.490			—					—	—	
7600 – 7900	0.545			—					—	—	
8000 – 8300	0.700			—					—	—	
8400 – 8700	—	0.680		—			—	0.125 diameter	0.080 dia.	0.088 dia.	
8800 – 9100	—			—			—	—	—	—	

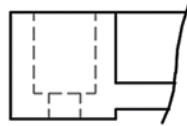
PLEASE CONSULT THE AIRBORN WEBSITE FOR THE LATEST REVISION OF THIS DOCUMENT PRIOR TO BEGINNING ANY DESIGN WORK.



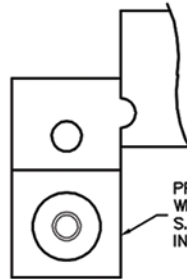
Hardware Layout for RM4

0256

SOCKET, STR/S.CUP/FLEX/W.WRAP
 RM422-XXX-192-0256-XXX
 SOCKET, RIGHT ANGLE
 RM462-XXX-8XX-0256

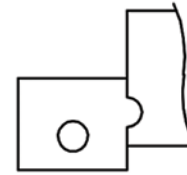


PIN, SURFACE MOUNT
 RM412-XXX-192-0256-9XX
 PIN, RIGHT ANGLE
 RM452-XXX-3XX-0256



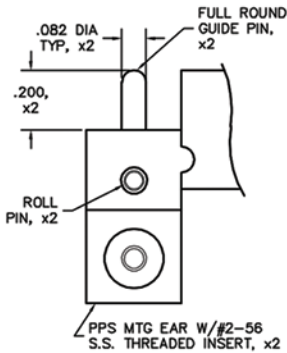
PPS MTG EAR
 WITH #2-56
 S.S. THREADED
 INSERT, x2

PIN, FLEX
 RM412-XXX-4XX-0256
 PIN, STRAIGHT
 RM412-XXX-5XX-0256
 PIN, SOLDER CUP
 RM412-XXX-17X-0256

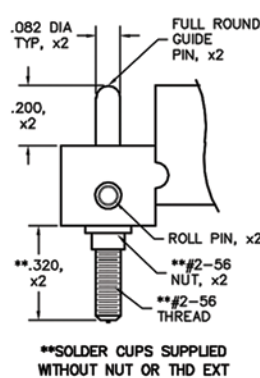


9000

PIN, SURFACE MOUNT
 RM412-XXX-192-9000-XXX
 PIN, RIGHT ANGLE
 RM452-XXX-3XX-9000

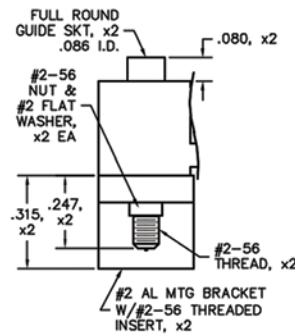


PIN, FLEX
 RM412-XXX-4XX-9000
 PIN, STRAIGHT
 RM412-XXX-5XX-9000
 **PIN, SOLDER CUP
 RM412-XXX-17X-9000

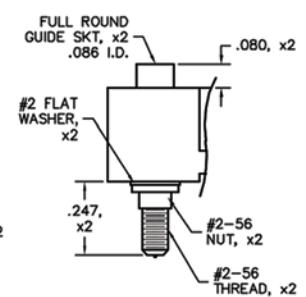


9100

SOCKET, RIGHT ANGLE
 RM462-XXX-8XX-9100

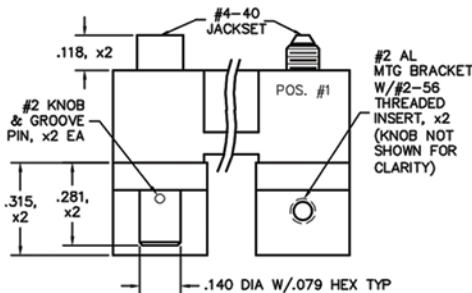


SOCKETS, STR/S.CUP/FLEX/W.WRAP
 RM422-XXX-7XX-9100
 SOCKETS, STR/PRESS FIT
 RM422-XXX-8XX-9100



9200

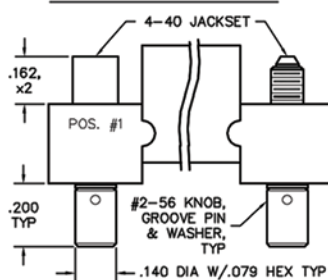
SOCKET, RIGHT ANGLE
 RM462-XXX-8XX-9200



PIN, SOLDER CUP
 RM412-XXX-1XX-9200

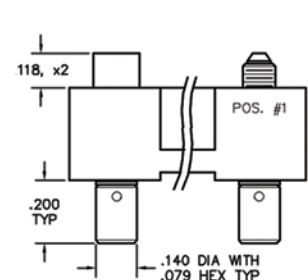
PIN, FLEX
 RM412-XXX-4XX-9200

PIN, STRAIGHT
 RM412-XXX-5XX-9200



SOCKET, STRAIGHT
 RM422-XXX-7XX-9200

SOCKET, STRAIGHT
 RM422-XXX-8XX-9200

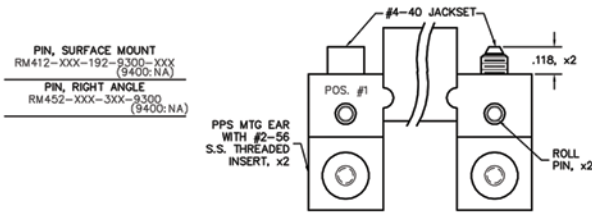


PLEASE CONSULT THE AIRBORN WEBSITE FOR THE LATEST REVISION OF THIS DOCUMENT PRIOR TO BEGINNING ANY DESIGN WORK.



Hardware Layout for RM4

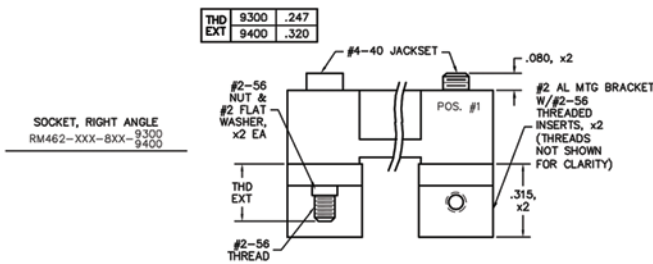
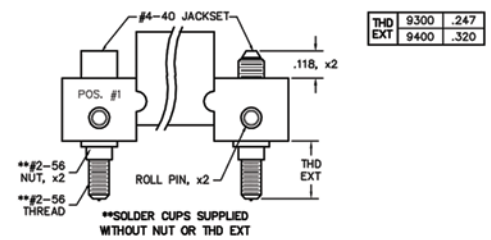
9300/9400



PIN, FLEX
 RM412-XXX-4XX-9300
 9400

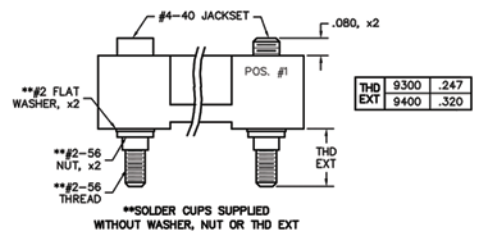
PIN, STRAIGHT
 RM412-XXX-5XX-9300
 9400

****PIN, SOLDER CUP**
 RM412-XXX-17X-9300
 (9400:NA)

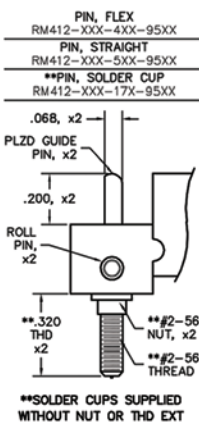
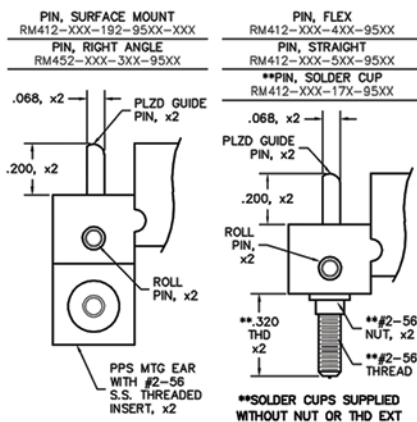


SOCKET, STR/S.CUP/FLEX/W.WRAP
 RM422-XXX-7XX-9300
 9400

SOCKET, STR/PRESS FIT
 RM422-XXX-8XX-9300
 9400



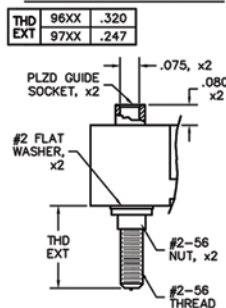
95XX



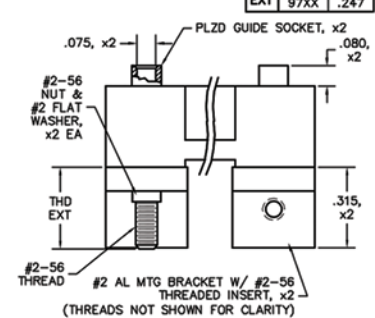
96XX/97XX

SOCKETS, STR/S.CUP/FLEX/W.WRAP
 RM422-XXX-7XX-96XX
 97XX

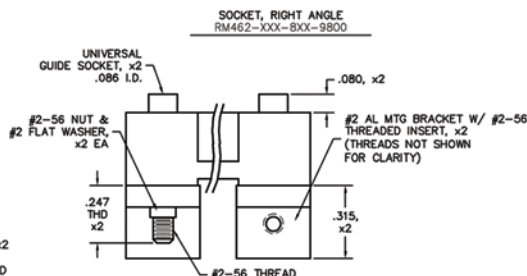
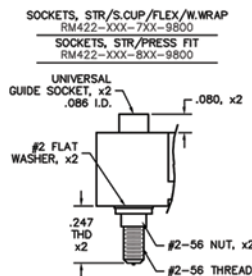
SOCKETS, STR/PRESS FIT
 RM422-XXX-8XX-96XX
 97XX



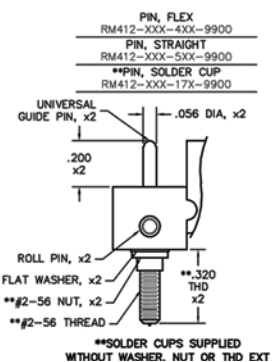
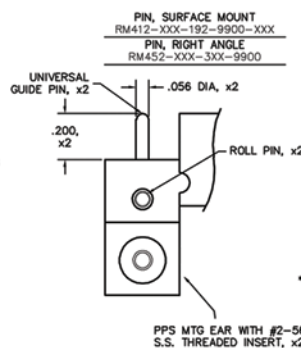
SOCKET, RIGHT ANGLE
 RM462-XXX-8XX-96XX
 97XX



9800



9900



PLEASE CONSULT THE AIRBORN WEBSITE FOR THE LATEST REVISION OF THIS DOCUMENT PRIOR TO BEGINNING ANY DESIGN WORK.

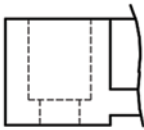


Hardware Layout for RM6 — One Bay

0256

SOCKET, STR/SCUP/FLEX/PFIT
 RM642-XXX-XXX-0256

SOCKET, RIGHT ANGLE
 RM682-XXX-XXX-0256



PIN, SURFACE MOUNT SCORED
 RM632-XXX-192-0256-9XX

PIN, SURFACE MOUNT UNSCORED
 RM632-XXX-392-0256-9XX

PIN, RIGHT ANGLE
 RM672-XXX-3XX-0256

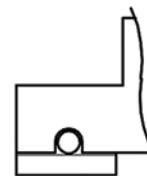


PPS MTG EAR
 WITH #4-40
 S.S. THREADED
 INSERT, x2

PIN, FLEX
 RM632-XXX-4XX-0256

PIN, STRAIGHT
 RM632-XXX-5XX-0256

PIN, SOLDER CUP
 RM632-XXX-17X-0256

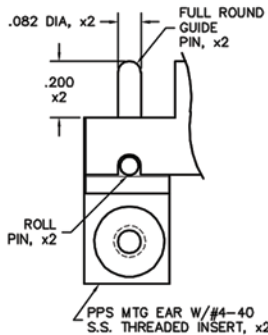


9000

PIN, SMT SCORED
 RM632-XXX-192-9000-9XX

PIN, SMT UNSCORED
 RM632-XXX-392-9000-9XX

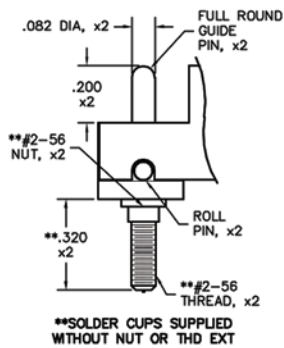
PIN, RIGHT ANGLE
 RM672-XXX-3XX-9000



PIN, FLEX
 RM632-XXX-4XX-9000

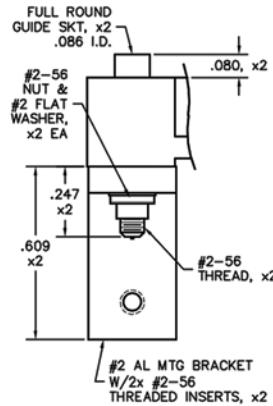
PIN, STRAIGHT
 RM632-XXX-5XX-9000

****PIN, SOLDER CUP**
 RM632-XXX-17X-9000



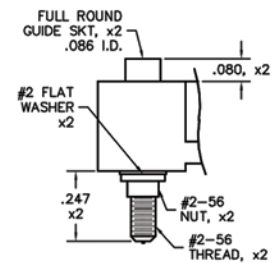
9100

SOCKET, RIGHT ANGLE
 RM682-XXX-8XX-9100

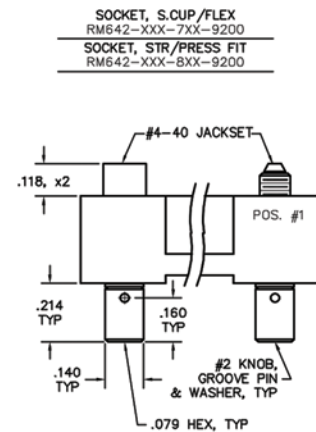
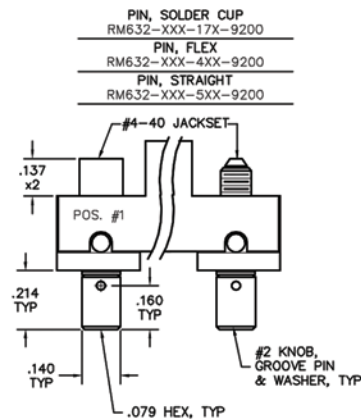
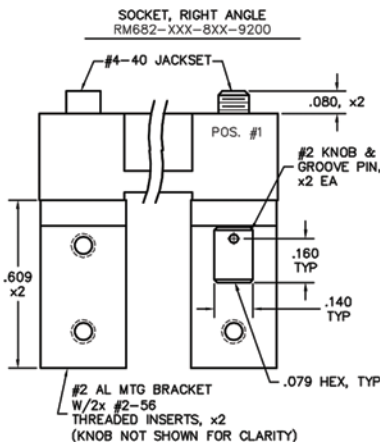


SOCKET, S.CUP/FLEX
 RM642-XXX-7XX-9100

SOCKET, STR/PRESS FIT
 RM642-XXX-8XX-9100



9200

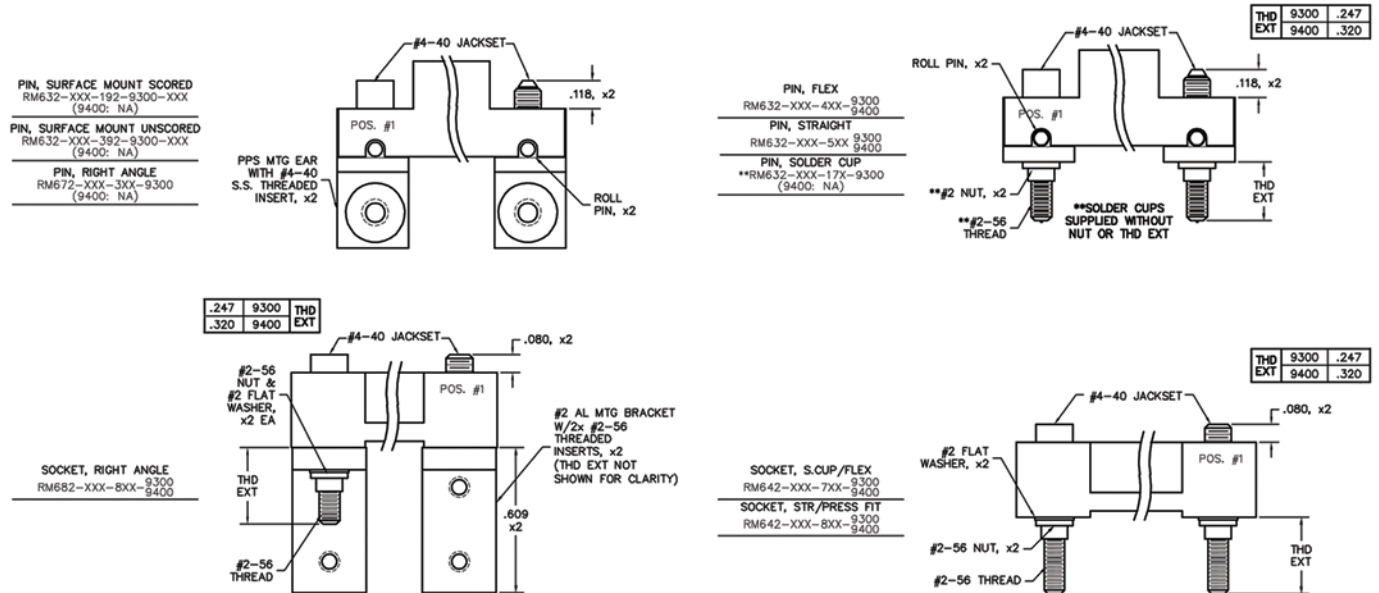


PLEASE CONSULT THE AIRBORN WEBSITE FOR THE LATEST REVISION OF THIS DOCUMENT PRIOR TO BEGINNING ANY DESIGN WORK.

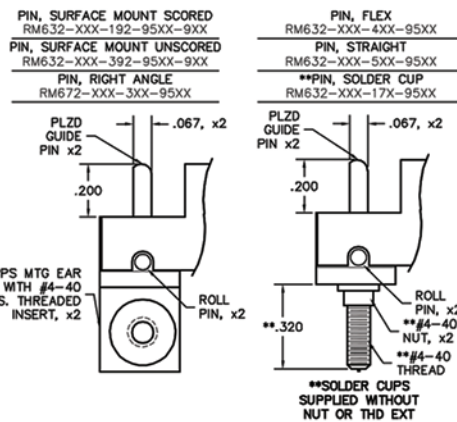


Hardware Layout for RM6 — One Bay

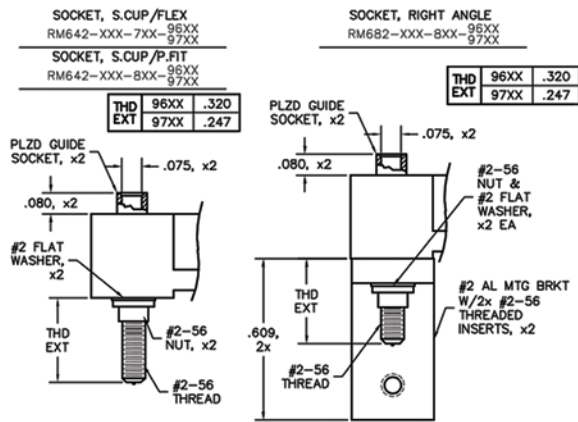
9300/9400



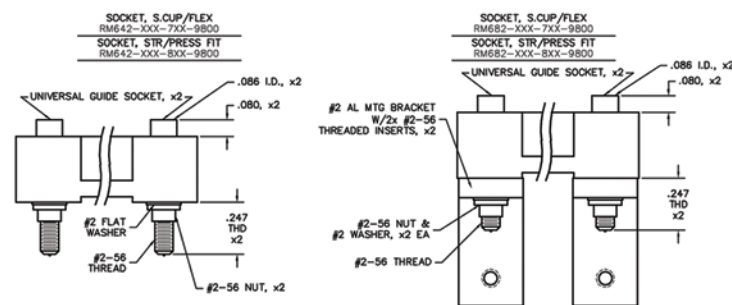
95XX



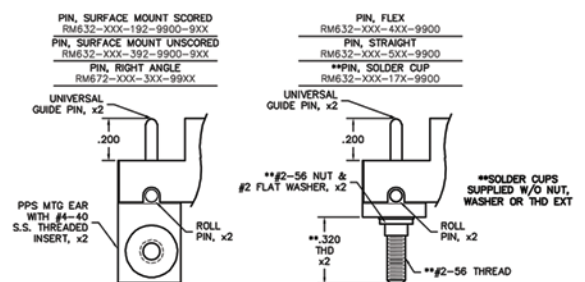
96XX/97XX



9800



9900



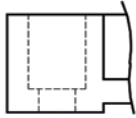
PLEASE CONSULT THE AIRBORN WEBSITE FOR THE LATEST REVISION OF THIS DOCUMENT PRIOR TO BEGINNING ANY DESIGN WORK.



Hardware Layout for RM6 — Two Bay

0256

SOCKET, STR/SCUP/FLEX/PFIT
 RM622-XXX-XXX-0256
 SOCKET, RIGHT ANGLE
 RM662-XXX-XXX-0256

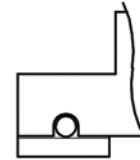


PIN, SURFACE MOUNT SCORED
 RM612-XXX-192-0256-9XX
 PIN, SURFACE MOUNT UNSCORED
 RM612-XXX-392-0256-9XX
 PIN, RIGHT ANGLE
 RM652-XXX-3XX-0256



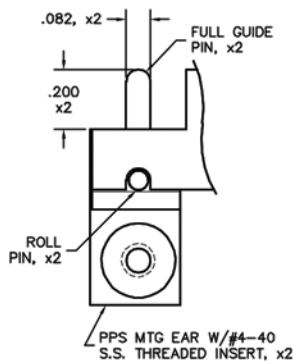
PPS MTG EAR WITH #4-40 S.S. THREADED INSERT, x2

PIN, FLEX
 RM612-XXX-4XX-0256
 PIN, STRAIGHT
 RM612-XXX-5XX-0256
 PIN, SOLDER CUP
 RM612-XXX-17X-0256

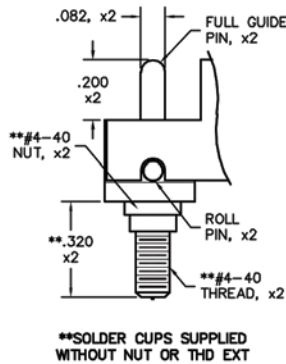


9000

PIN, SURFACE MOUNT SCORED
 RM612-XXX-192-9000-9XX
 PIN, SURFACE MOUNT UNSCORED
 RM612-XXX-392-9000-9XX
 PIN, RIGHT ANGLE
 RM652-XXX-3XX-9000

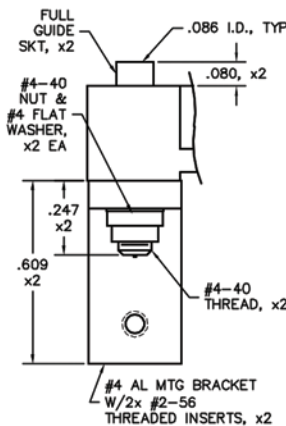


PIN, FLEX
 RM612-XXX-4XX-9000
 PIN, STRAIGHT
 RM612-XXX-5XX-9000
 **PIN, SOLDER CUP
 RM612-XXX-17X-9000

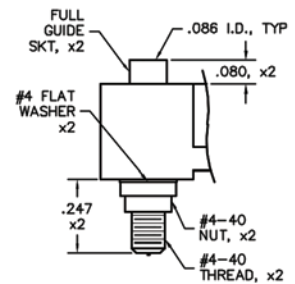


9100

SOCKET, RIGHT ANGLE
 RM662-XXX-8XX-9100

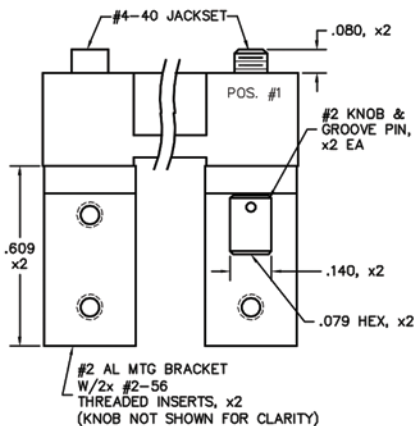


SOCKET, S.CUP/FLEX
 RM622-XXX-7XX-9100
 SOCKET, STR/PRESS FIT
 RM622-XXX-8XX-9100



9200

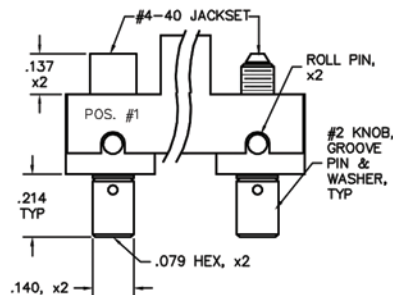
SOCKET, RIGHT ANGLE
 RM682-XXX-8XX-9200



PIN, SOLDER CUP
 RM612-XXX-17X-9200

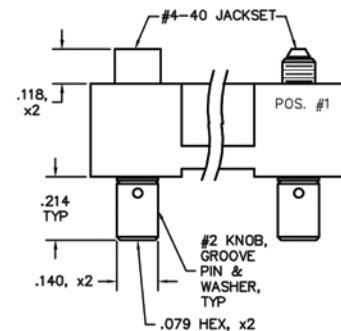
PIN, FLEX
 RM612-XXX-4XX-9200

PIN, STRAIGHT
 RM612-XXX-5XX-9200



SOCKET, S.CUP/FLEX
 RM622-XXX-7XX-9200

SOCKET, STR/P.FIT
 RM622-XXX-8XX-9200



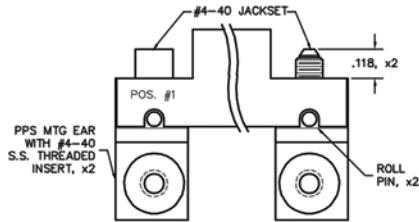
PLEASE CONSULT THE AIRBORNE WEBSITE FOR THE LATEST REVISION OF THIS DOCUMENT PRIOR TO BEGINNING ANY DESIGN WORK.



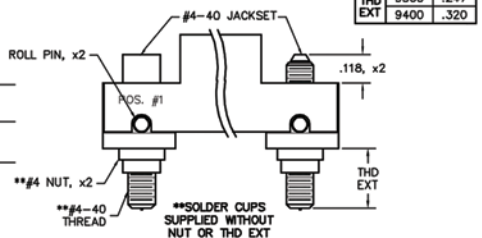
Hardware Layout for RM6 — Two Bay

9300/9400

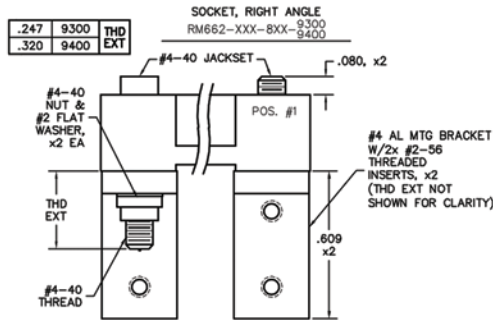
- PIN, SURFACE MOUNT SCORED
 RM612-XXX-192-9300-XXX
 (9400: NA)
- PIN, SURFACE MOUNT UNSCORED
 RM612-XXX-392-9300-XXX
 (9400: NA)
- PIN, RIGHT ANGLE
 RM652-XXX-3XX-9300
 (9400: NA)



- PIN, FLEX
 RM612-XXX-4XX-9300
 9400
- PIN, STRAIGHT
 RM612-XXX-5XX-9300
 9400
- **PIN, SOLDER CUP
 RM612-XXX-17X-9300
 (9400: NA)

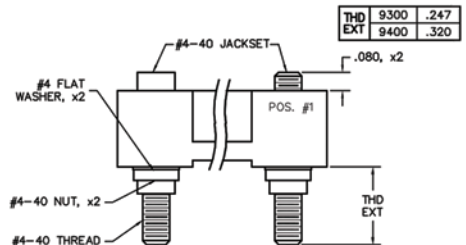


THD EXT	9300	.247
	9400	.320



.247	9300	THD EXT
.320	9400	

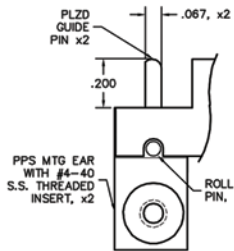
- SOCKET, S.CUP/FLEX
 RM622-XXX-7XX-9300
 9400
- SOCKET, S.CUP/P.FIT
 RM622-XXX-8XX-9400



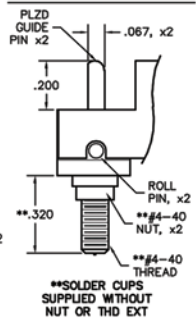
THD EXT	9300	.247
	9400	.320

95XX

- PIN, SURFACE MOUNT SCORED
 RM612-XXX-192-95XX-9XX
- PIN, SURFACE MOUNT UNSCORED
 RM612-XXX-392-95XX-9XX
- PIN, RIGHT ANGLE
 RM652-XXX-3XX-95XX

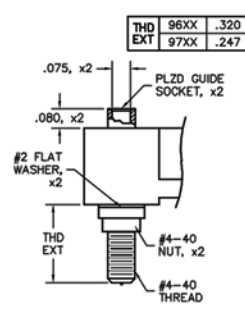


- PIN, FLEX
 RM612-XXX-4XX-95XX
- PIN, STRAIGHT
 RM612-XX-5XX-95XX
- PIN, SOLDER CUP
 **RM612-XXX-17X-95XX

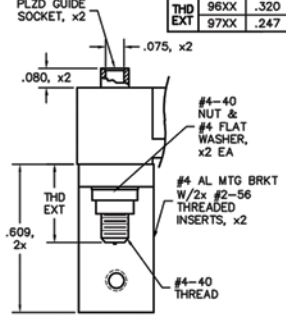


96XX/97XX

- SOCKET, S.CUP/FLEX
 RM622-XXX-7XX-96XX
 97XX
- SOCKET, S.CUP/P.FIT
 RM622-XXX-8XX-96XX
 97XX



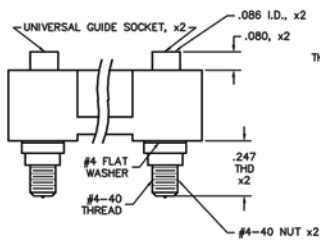
- SOCKET, RIGHT ANGLE
 RM662-XXX-8XX-97XX



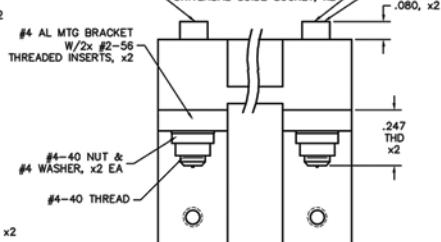
THD EXT	96XX	.320
	97XX	.247

9800

- SOCKET, S.CUP/FLEX
 RM622-XXX-7XX-9800
- SOCKET, STR/P.FIT
 RM622-XXX-8XX-9800

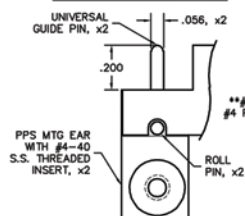


- SOCKET, S.CUP/FLEX
 RM662-XXX-7XX-9800
- SOCKET, STR/PRESS FIT
 RM662-XXX-8XX-9800

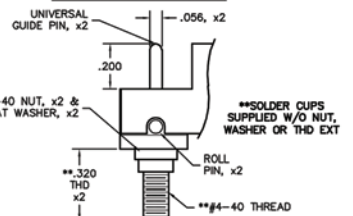


9900

- PIN, SURFACE MOUNT SCORED
 RM632-XXX-192-9900-9XX
- PIN, SURFACE MOUNT UNSCORED
 RM632-XXX-392-9900-9XX
- PIN, RIGHT ANGLE
 RM672-XXX-3XX-99XX



- PIN, FLEX
 RM632-XXX-4XX-9900
- PIN, STRAIGHT
 RM632-XXX-5XX-9900
- **PIN, SOLDER CUP
 RM632-XXX-17X-99XX

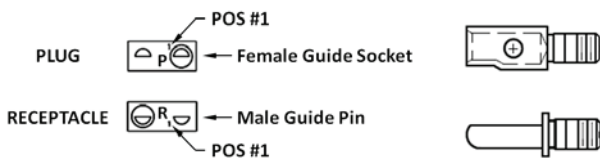


PLEASE CONSULT THE AIRBORN WEBSITE FOR THE LATEST REVISION OF THIS DOCUMENT PRIOR TO BEGINNING ANY DESIGN WORK.



RM Polarization Codes (2- and 3-Row)

01		09		17		25		33		41		49		57	
02		10		18		26		34		42		50		58	
03		11		19		27		35		43		51		59	
04		12		20		28		36		44		52		60	
05		13		21		29		37		45		53		61	
06		14		22		30		38		46		54		62	
07		15		23		31		39		47		55		63	
08		16		24		32		40		48		56		64	



For optimum safety, use polarization number 01, 06, 11, 16, 17, 22, 27 or 32 when possible. These positions will exclude entry or guide pins at both ends of connectors when an attempt is made to mate incorrectly.

Select the appropriate two-digit number above and include as the last two digits of the hardware code in the part number.

To order polarization guide set only, see catalog page XXX. This set consists of one D-shaped guide pin, one D-shaped guide socket and two spanner nuts (#2-56 UNC thread).

To change polarization position of guide sets, order spanner nut wrench, part number TN-1680.

UNIVERSAL TEST CONNECTORS		
5565 CD8783		For positions 5501 through 5516
5566 CD8783		For positions 5517 through 5532
5567P CD8784		For positions 5533 through 5548
5567R CD7743		For positions 5533 through 5548
5568P CD7743		For positions 5549 through 5564
5568R CD8784		For positions 5549 through 5564

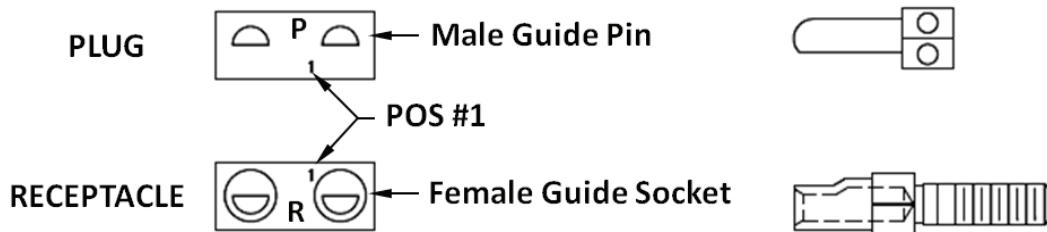
Hardware type shown above catalog order number.

PLEASE CONSULT THE AIRBORN WEBSITE FOR THE LATEST REVISION OF THIS DOCUMENT PRIOR TO BEGINNING ANY DESIGN WORK.



RM Polarization Codes (4- and 6-Row)

01		07		13		19		25		31	
02		08		14		20		26		32	
03		09		15		21		27		33	
04		10		16		22		28		34	
05		11		17		23		29		35	
06		12		18		24		30		36	



Select the appropriate two-digit number above and include as the last two digits of the hardware code in the part number.

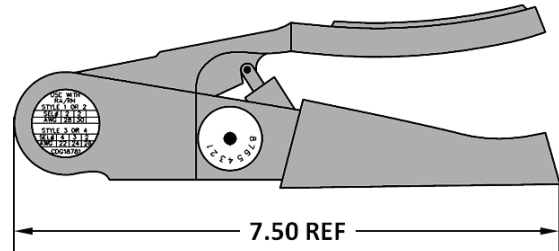
PLEASE CONSULT THE AIRBORN WEBSITE FOR THE LATEST REVISION OF THIS DOCUMENT PRIOR TO BEGINNING ANY DESIGN WORK.



RA Crimp Instructions

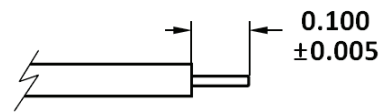
1. SET-UP CRIMP TOOL (CDG16781)

Install proper positioner into the crimp tool. Crimp settings are shown on the positioner for various wire gauge sizes. Adjust the wheel to the proper setting.



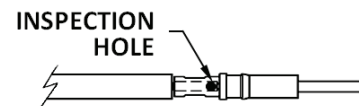
2. STRIP WIRE

Remove insulation from wire exposing 0.100" bare wire length.



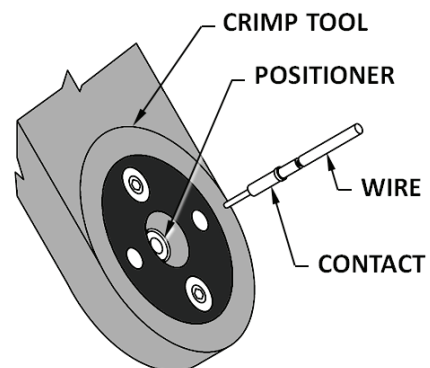
3. INSERT WIRE

Insert wire into the contact. Wire should be visible in the inspection hole.



4. INSERT CONTACT INTO CRIMP TOOL

Make sure the contact is fully seated in the positioner. Squeeze the handles fully. The ratcheting mechanism of the tool will not allow a partial crimp. The handles will not return to the open position until fully compressed. Release the handles and remove the contact.



5. INSPECT CRIMPED CONTACT

Crimp indentations should be uniform in depth and location.



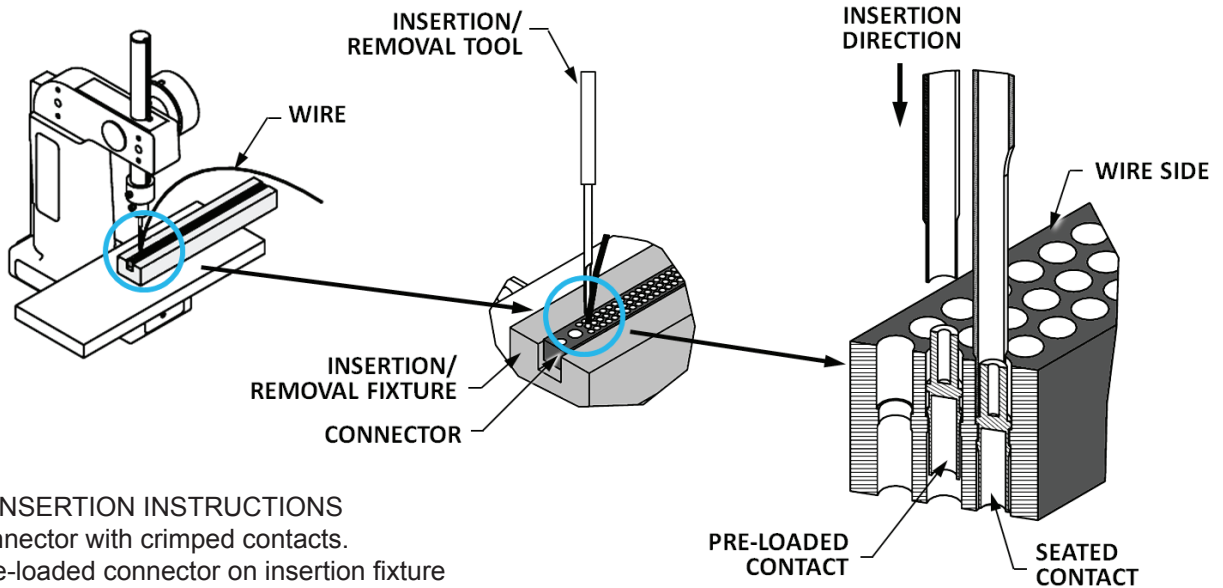
PLEASE CONSULT THE AIRBORN WEBSITE FOR THE LATEST REVISION OF THIS DOCUMENT PRIOR TO BEGINNING ANY DESIGN WORK.



RA Contact Assembly Instructions

CDG17258 Includes:

- Arbor press
- Insertion tip
- Removal tip
- Fixture

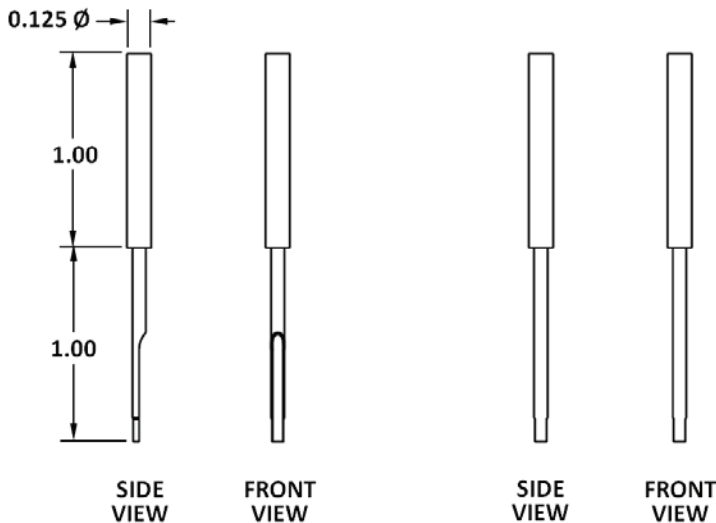


CONTACT INSERTION INSTRUCTIONS

1. Load connector with crimped contacts.
2. Place pre-loaded connector on insertion fixture with wire side facing up.
3. Position fixture so insertion tool is over contact.
4. Place wire against insertion tool cutout trench.
5. Crank handle on press to seat contact.

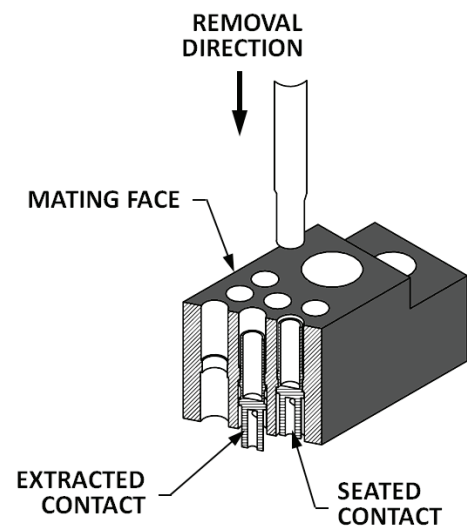
CONTACT REMOVAL INSTRUCTIONS

1. Place connector on the removal fixture with mating side facing up.
2. Position fixture so removal tool is over contact.
3. Crank press handle to remove contact.



INSERTION TOOL
 AirBorn P/N: CDG17256

REMOVAL TOOL
 AirBorn P/N: CDG17257



PLEASE CONSULT THE AIRBORN WEBSITE FOR THE LATEST REVISION OF THIS DOCUMENT PRIOR TO BEGINNING ANY DESIGN WORK.



RC Specifications

Contacts	BeCu per ASTM-B768 (BeCu C17410)
Contact Finish	Gold plate per MIL-DTL-45204, over Nickel plate per SAE AMS QQ-N-290
Molded Insulators	Glass filled Polyphenylene Sulfide per MIL-M-24519
Screws	Stainless Steel per ASTM-A582, passivated per ASTM-A967, SAE AMS-QQ-P-35, AMS 2700
Guide Pins/Sockets	BeCu per ASTM-B196, ASTM-B197, Nickel plated per SAE AMS-QQ-N-290
Connector Markings	Per MIL-C-55302. Additionally, end-row contact numbers are identified on mating face of the connector and the pin #1 locator identified on the side of the connector base.
Tolerances	Unless otherwise specified: Fractions = $\pm 1/64$ " Decimals = ± 0.010 " Angles = $\pm 5^\circ$ Datums for the contact, hardware and mounting locations are the X & Y centerlines of the contact pattern

Note: AirBorn can manufacture special configurations for your exact specification.

PLEASE CONSULT THE AIRBORN WEBSITE FOR THE LATEST REVISION OF THIS DOCUMENT PRIOR TO BEGINNING ANY DESIGN WORK.



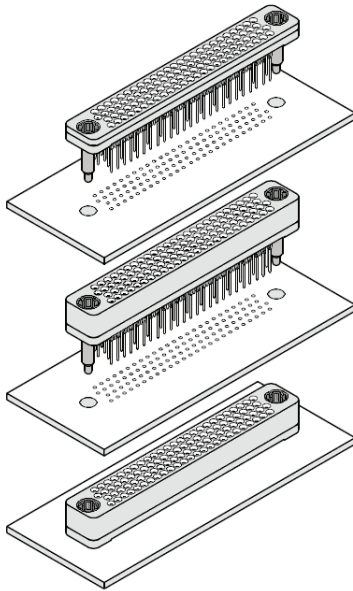
RC Performance (Ref. Modified MIL-C-55302, C-28859, STD-2166 and ANSI/EIA-616)

Contact Rating	3 amps
Operating Temp.	-65° to +125° C (-85° to +257° F)
DWV Test Voltage	750 V, RMS, 60 Hz at sea level
Insulation Resistance	5,000 megohms, minimum at 500 VDC
Durability	500 connector mating cycles
Contact Resistance	3 to 5 milliohms (contact length-dependent)
Contact Engagement Force	4.0 oz (113 g), maximum with 0.0246" diameter test pin
Contact Separation Force	0.5 oz (14 g), minimum with 0.0226" diameter test pin
Total Mating Force	Maximum 4.0 oz (113 g) x number of contacts Average 2.5 oz (70 g) x number of contacts
Compliant Insertion and Removal Forces	Maximum insertion force – 22.5 lbs (10.22 Kg) Minimum retention force after conditioning – 4.5 lbs (2.04 Kg)
Suggested Board and Plated Through Hole Requirements	Board material: FR-4 with 1.0 oz copper Minimum board thickness: 0.058" Drilled hole: 0.0319"–0.0339" Copper-plating thickness: 0.0010", minimum Tin-lead-plating thickness: 0.0003", minimum Electroplated tin-lead composition: 63/37 (Sn/Pb) Finished hole diameter: 0.028" ±0.002

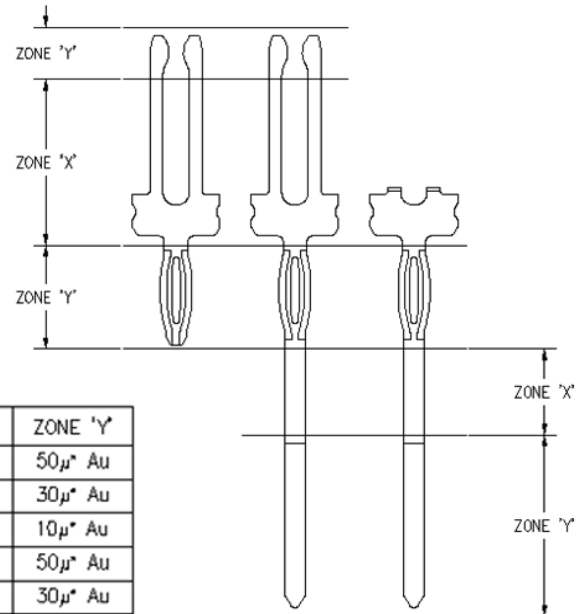
PLEASE CONSULT THE AIRBORN WEBSITE FOR THE LATEST REVISION OF THIS DOCUMENT PRIOR TO BEGINNING ANY DESIGN WORK.



RC4 Applications: Press-Fit, Stackable

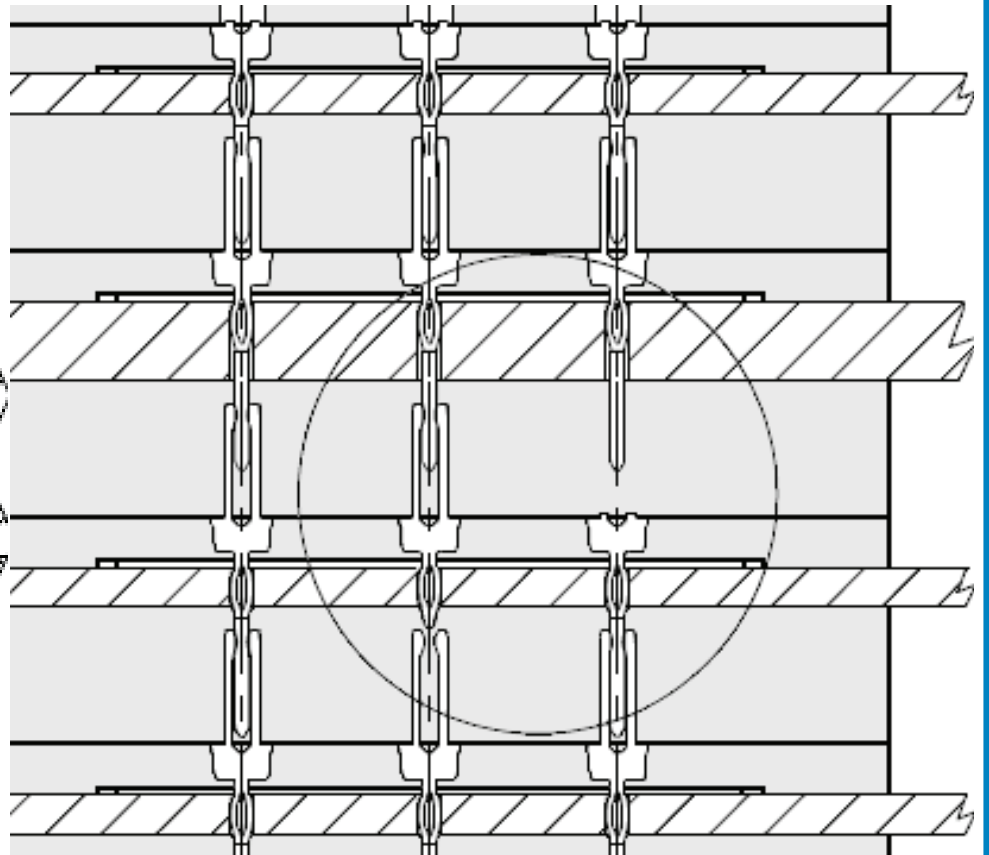
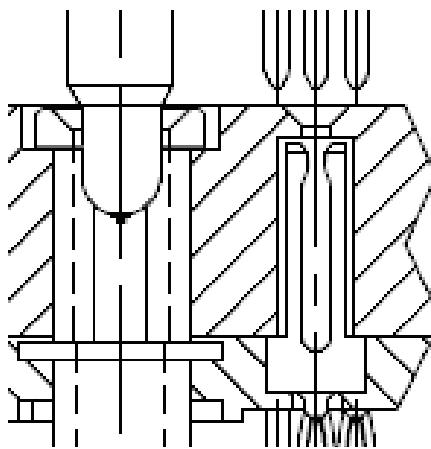


Plating Options



PLATING OPTIONS	ZONE 'X'	ZONE 'Y'
1	50 μ * Au	50 μ * Au
3	30 μ * Au	30 μ * Au
5	10 μ * Au	10 μ * Au
7	10 μ * Au	50 μ * Au
9	10 μ * Au	30 μ * Au

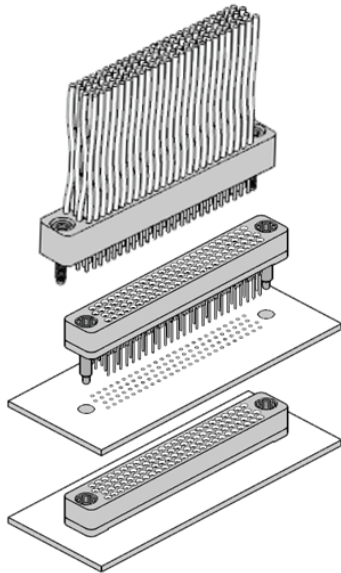
Internal Detail



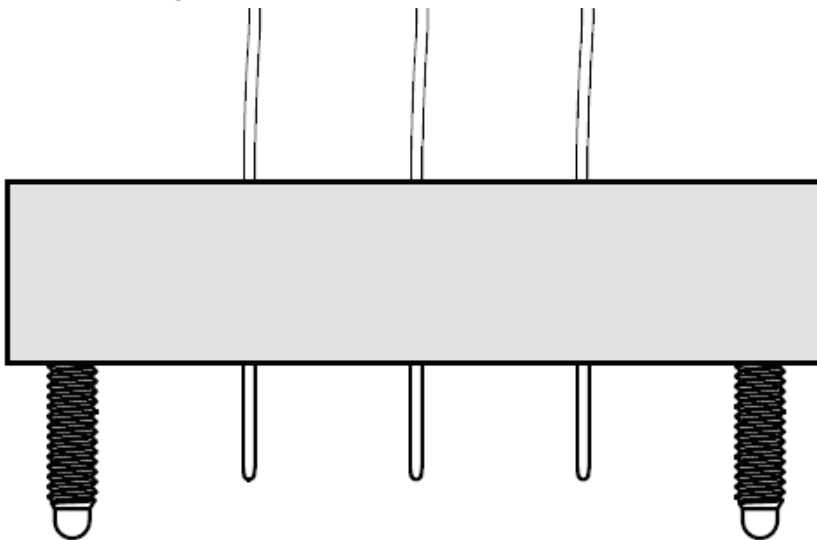
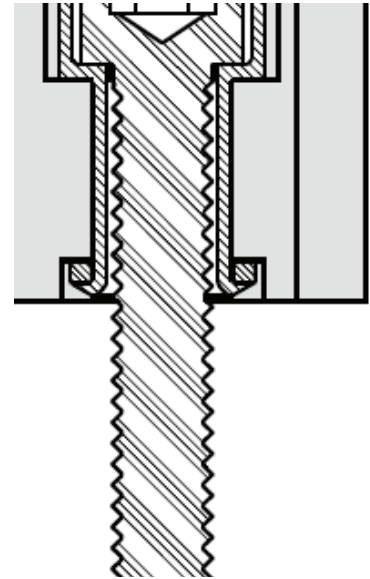
PLEASE CONSULT THE AIRBORN WEBSITE FOR THE LATEST REVISION OF THIS DOCUMENT PRIOR TO BEGINNING ANY DESIGN WORK.



RC4 Applications: Press-Fit, Stackable with Cable Mate



Internal Detail



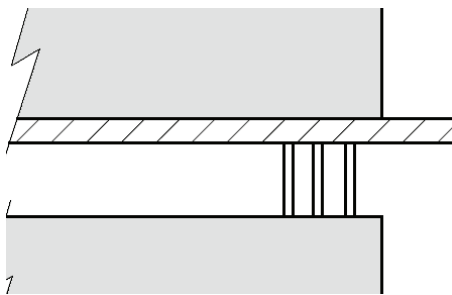
Determine Required Termination Lead Length:
 Measurements in the example below are in inches.

Dimension A = 0.720

$0.720 - 0.300$ (insulator height) = 0.420

$0.420 + 0.114$ (min. pin engagement) = 0.534

$0.420 + 0.214$ (max. pin engagement) = 0.634



Termination option is the length between the min. and max. pin engagement measurements, so the Required Termination Lead Length for this example is 0.600.

PLEASE CONSULT THE AIRBORN WEBSITE FOR THE LATEST REVISION OF THIS DOCUMENT PRIOR TO BEGINNING ANY DESIGN WORK.



R-Series / Military Part Number Guide

2-Row Receptacle	
Military Part No.	AirBorn Part No.
M55302/190LA100X	RM222-100-241-5500
M55302/190LA100Y	RM222-100-241-5501
M55302/190LA100F	RM222-100-241-2900
M55302/190LA100S	RM222-100-241-5900
M55302/190LA100N	RM222-100-241-7600
M55302/190LA100L	RM222-100-241-5100
M55302/190LA100M	RM222-100-241-6400
M55302/190LA90X	RM222-090-241-5500
M55302/190LA90Y	RM222-090-241-5501
M55302/190LA90F	RM222-090-241-2900
M55302/190LA90S	RM222-090-241-5900
M55302/190LA90N	RM222-090-241-7600
M55302/190LA90L	RM222-090-241-5100
M55302/190LA90M	RM222-090-241-6400
M55302/190LA80X	RM222-080-241-5500
M55302/190LA80Y	RM222-080-241-5501
M55302/190LA80F	RM222-080-241-2900
M55302/190LA80S	RM222-080-241-5900
M55302/190LA80N	RM222-080-241-7600
M55302/190LA80L	RM222-080-241-5100
M55302/190LA80M	RM222-080-241-6400
M55302/190LA70X	RM222-070-241-5500
M55302/190LA70Y	RM222-070-241-5501
M55302/190LA70F	RM222-070-241-2900
M55302/190LA70S	RM222-070-241-5900
M55302/190LA70N	RM222-070-241-7600
M55302/190LA70L	RM222-070-241-5100
M55302/190LA70M	RM222-070-241-6400
M55302/190LA60X	RM222-060-241-5500
M55302/190LA60Y	RM222-060-241-5501
M55302/190LA60F	RM222-060-241-2900
M55302/190LA60S	RM222-060-241-5900
M55302/190LA60N	RM222-060-241-7600
M55302/190LA60L	RM222-060-241-5100
M55302/190LA60M	RM222-060-241-6400
M55302/190LA50X	RM222-050-241-5500
M55302/190LA50Y	RM222-050-241-5501
M55302/190LA50F	RM222-050-241-2900

Military Part No.	AirBorn Part No.
M55302/190LA50S	RM222-050-241-5900
M55302/190LA50N	RM222-050-241-7600
M55302/190LA50L	RM222-050-241-5100
M55302/190LA50M	RM222-050-241-6400
M55302/190LA40X	RM222-040-241-5500
M55302/190LA40Y	RM222-040-241-5501
M55302/190LA40F	RM222-040-241-2900
M55302/190LA40S	RM222-040-241-5900
M55302/190LA40N	RM222-040-241-7600
M55302/190LA40L	RM222-040-241-5100
M55302/190LA40M	RM222-040-241-6400
M55302/190LA30X	RM222-030-241-5500
M55302/190LA30Y	RM222-030-241-5501
M55302/190LA30F	RM222-030-241-2900
M55302/190LA30S	RM222-030-241-5900
M55302/190LA30N	RM222-030-241-7600
M55302/190LA30L	RM222-030-241-5100
M55302/190LA30M	RM222-030-241-6400
M55302/190LA20X	RM222-020-241-5500
M55302/190LA20Y	RM222-020-241-5501
M55302/190LA20F	RM222-020-241-2900
M55302/190LA20S	RM222-020-241-5900
M55302/190LA20N	RM222-020-241-7600
M55302/190LA20L	RM222-020-241-5100
M55302/190LA20M	RM222-020-241-6400
M55302/190LA10X	RM222-010-241-5500
M55302/190LA10Y	RM222-010-241-5501
M55302/190LA10F	RM222-010-241-2900
M55302/190LA10S	RM222-010-241-5900
M55302/190LA10N	RM222-010-241-7600
M55302/190LA10L	RM222-010-241-5100
M55302/190LA10M	RM222-010-241-6400
M55302/190LB100X	RM222-100-201-5500
M55302/190LB100Y	RM222-100-201-5501
M55302/190LB100F	RM222-100-201-2900
M55302/190LB100S	RM222-100-201-5900
M55302/190LB100N	RM222-100-201-7600
M55302/190LB100L	RM222-100-201-5100
M55302/190LB100M	RM222-100-201-6400
M55302/190LB90X	RM222-090-201-5500

PLEASE CONSULT THE AIRBORN WEBSITE FOR THE LATEST REVISION OF THIS DOCUMENT PRIOR TO BEGINNING ANY DESIGN WORK.



R-Series / Military Part Number Guide

Military Part No.	AirBorn Part No.	Military Part No.	AirBorn Part No.
M55302/190LB90Y	RM222-090-201-5501	M55302/190LB40M	RM222-040-201-6400
M55302/190LB90F	RM222-090-201-2900	M55302/190LB30X	RM222-030-201-5500
M55302/190LB90S	RM222-090-201-5900	M55302/190LB30Y	RM222-030-201-5501
M55302/190LB90N	RM222-090-201-7600	M55302/190LB30F	RM222-030-201-2900
M55302/190LB90L	RM222-090-201-5100	M55302/190LB30S	RM222-030-201-5900
M55302/190LB90M	RM222-090-201-6400	M55302/190LB30N	RM222-030-201-7600
M55302/190LB80X	RM222-080-201-5500	M55302/190LB30L	RM222-030-201-5100
M55302/190LB80Y	RM222-080-201-5501	M55302/190LB30M	RM222-030-201-6400
M55302/190LB80F	RM222-080-201-2900	M55302/190LB20X	RM222-020-201-5500
M55302/190LB80S	RM222-080-201-5900	M55302/190LB20Y	RM222-020-201-5501
M55302/190LB80N	RM222-080-201-7600	M55302/190LB20F	RM222-020-201-2900
M55302/190LB80L	RM222-080-201-5100	M55302/190LB20S	RM222-020-201-5900
M55302/190LB80M	RM222-080-201-6400	M55302/190LB20N	RM222-020-201-7600
M55302/190LB70X	RM222-070-201-5500	M55302/190LB20L	RM222-020-201-5100
M55302/190LB70Y	RM222-070-201-5501	M55302/190LB20M	RM222-020-201-6400
M55302/190LB70F	RM222-070-201-2900	M55302/190LB10X	RM222-010-201-5500
M55302/190LB70S	RM222-070-201-5900	M55302/190LB10Y	RM222-010-201-5501
M55302/190LB70N	RM222-070-201-7600	M55302/190LB10F	RM222-010-201-2900
M55302/190LB70L	RM222-070-201-5100	M55302/190LB10S	RM222-010-201-5900
M55302/190LB70M	RM222-070-201-6400	M55302/190LB10N	RM222-010-201-7600
M55302/190LB60X	RM222-060-201-5500	M55302/190LB10L	RM222-010-201-5100
M55302/190LB60Y	RM222-060-201-5501	M55302/190LB10M	RM222-010-201-6400
M55302/190LB60F	RM222-060-201-2900	M55302/190LC100X	RM222-100-211-5500
M55302/190LB60S	RM222-060-201-5900	M55302/190LC100Y	RM222-100-211-5501
M55302/190LB60N	RM222-060-201-7600	M55302/190LC100F	RM222-100-211-2900
M55302/190LB60L	RM222-060-201-5100	M55302/190LC100S	RM222-100-211-5900
M55302/190LB60M	RM222-060-201-6400	M55302/190LC100N	RM222-100-211-7600
M55302/190LB50X	RM222-050-201-5500	M55302/190LC100L	RM222-100-211-5100
M55302/190LB50Y	RM222-050-201-5501	M55302/190LC100M	RM222-100-211-6400
M55302/190LB50F	RM222-050-201-2900	M55302/190LC90X	RM222-090-211-5500
M55302/190LB50S	RM222-050-201-5900	M55302/190LC90Y	RM222-090-211-5501
M55302/190LB50N	RM222-050-201-7600	M55302/190LC90F	RM222-090-211-2900
M55302/190LB50L	RM222-050-201-5100	M55302/190LC90S	RM222-090-211-5900
M55302/190LB50M	RM222-050-201-6400	M55302/190LC90N	RM222-090-211-7600
M55302/190LB40X	RM222-040-201-5500	M55302/190LC90L	RM222-090-211-5100
M55302/190LB40Y	RM222-040-201-5501	M55302/190LC90M	RM222-090-211-6400
M55302/190LB40F	RM222-040-201-2900	M55302/190LC80X	RM222-080-211-5500
M55302/190LB40S	RM222-040-201-5900	M55302/190LC80Y	RM222-080-211-5501
M55302/190LB40N	RM222-040-201-7600	M55302/190LC80F	RM222-080-211-2900
M55302/190LB40L	RM222-040-201-5100		

PLEASE CONSULT THE AIRBORN WEBSITE FOR THE LATEST REVISION OF THIS DOCUMENT PRIOR TO BEGINNING ANY DESIGN WORK.



R-Series / Military Part Number Guide

Military Part No.	AirBorn Part No.	Military Part No.	AirBorn Part No.
M55302/190LC80S	RM222-080-211-5900	M55302/190LC20Y	RM222-020-211-5501
M55302/190LC80N	RM222-080-211-7600	M55302/190LC20F	RM222-020-211-2900
M55302/190LC80L	RM222-080-211-5100	M55302/190LC20S	RM222-020-211-5900
M55302/190LC80M	RM222-080-211-6400	M55302/190LC20N	RM222-020-211-7600
M55302/190LC70X	RM222-070-211-5500	M55302/190LC20L	RM222-020-211-5100
M55302/190LC70Y	RM222-070-211-5501	M55302/190LC20M	RM222-020-211-6400
M55302/190LC70F	RM222-070-211-2900	M55302/190LC10X	RM222-010-211-5500
M55302/190LC70S	RM222-070-211-5900	M55302/190LC10Y	RM222-010-211-5501
M55302/190LC70N	RM222-070-211-7600	M55302/190LC10F	RM222-010-211-2900
M55302/190LC70L	RM222-070-211-5100	M55302/190LC10S	RM222-010-211-5900
M55302/190LC70M	RM222-070-211-6400	M55302/190LC10N	RM222-010-211-7600
M55302/190LC60X	RM222-060-211-5500	M55302/190LC10L	RM222-010-211-5100
M55302/190LC60Y	RM222-060-211-5501	M55302/190LC10M	RM222-010-211-6400
M55302/190LC60F	RM222-060-211-2900	M55302/190LD100X	RM222-100-221-5500
M55302/190LC60S	RM222-060-211-5900	M55302/190LD100Y	RM222-100-221-5501
M55302/190LC60N	RM222-060-211-7600	M55302/190LD100F	RM222-100-221-2900
M55302/190LC60L	RM222-060-211-5100	M55302/190LD100S	RM222-100-221-5900
M55302/190LC60M	RM222-060-211-6400	M55302/190LD100N	RM222-100-221-7600
M55302/190LC50X	RM222-050-211-5500	M55302/190LD100L	RM222-100-221-5100
M55302/190LC50Y	RM222-050-211-5501	M55302/190LD100M	RM222-100-221-6400
M55302/190LC50F	RM222-050-211-2900	M55302/190LD90X	RM222-090-221-5500
M55302/190LC50S	RM222-050-211-5900	M55302/190LD90Y	RM222-090-221-5501
M55302/190LC50N	RM222-050-211-7600	M55302/190LD90F	RM222-090-221-2900
M55302/190LC50L	RM222-050-211-5100	M55302/190LD90S	RM222-090-221-5900
M55302/190LC50M	RM222-050-211-6400	M55302/190LD90N	RM222-090-221-7600
M55302/190LC40X	RM222-040-211-5500	M55302/190LD90L	RM222-090-221-5100
M55302/190LC40Y	RM222-040-211-5501	M55302/190LD90M	RM222-090-221-6400
M55302/190LC40F	RM222-040-211-2900	M55302/190LD80X	RM222-080-221-5500
M55302/190LC40S	RM222-040-211-5900	M55302/190LD80Y	RM222-080-221-5501
M55302/190LC40N	RM222-040-211-7600	M55302/190LD80F	RM222-080-221-2900
M55302/190LC40L	RM222-040-211-5100	M55302/190LD80S	RM222-080-221-5900
M55302/190LC40M	RM222-040-211-6400	M55302/190LD80N	RM222-080-221-7600
M55302/190LC30X	RM222-030-211-5500	M55302/190LD80L	RM222-080-221-5100
M55302/190LC30Y	RM222-030-211-5501	M55302/190LD80M	RM222-080-221-6400
M55302/190LC30F	RM222-030-211-2900	M55302/190LD70X	RM222-070-221-5500
M55302/190LC30S	RM222-030-211-5900	M55302/190LD70Y	RM222-070-221-5501
M55302/190LC30N	RM222-030-211-7600	M55302/190LD70F	RM222-070-221-2900
M55302/190LC30L	RM222-030-211-5100	M55302/190LD70S	RM222-070-221-5900
M55302/190LC30M	RM222-030-211-6400	M55302/190LD70N	RM222-070-221-7600
M55302/190LC20X	RM222-020-211-5500	M55302/190LD70L	RM222-070-221-5100

PLEASE CONSULT THE AIRBORN WEBSITE FOR THE LATEST REVISION OF THIS DOCUMENT PRIOR TO BEGINNING ANY DESIGN WORK.



R-Series / Military Part Number Guide

Military Part No.	AirBorn Part No.	Military Part No.	AirBorn Part No.
M55302/190LD70M	RM222-070-221-6400	M55302/190LD10N	RM222-010-221-7600
M55302/190LD60X	RM222-060-221-5500	M55302/190LD10L	RM222-010-221-5100
M55302/190LD60Y	RM222-060-221-5501	M55302/190LD10M	RM222-010-221-6400
M55302/190LD60F	RM222-060-221-2900	M55302/190LE100X	RM222-100-251-5500
M55302/190LD60S	RM222-060-221-5900	M55302/190LE100Y	RM222-100-251-5501
M55302/190LD60N	RM222-060-221-7600	M55302/190LE100F	RM222-100-251-2900
M55302/190LD60L	RM222-060-221-5100	M55302/190LE100S	RM222-100-251-5900
M55302/190LD60M	RM222-060-221-6400	M55302/190LE100N	RM222-100-251-7600
M55302/190LD50X	RM222-050-221-5500	M55302/190LE100L	RM222-100-251-5100
M55302/190LD50Y	RM222-050-221-5501	M55302/190LE100M	RM222-100-251-6400
M55302/190LD50F	RM222-050-221-2900	M55302/190LE90X	RM222-090-251-5500
M55302/190LD50S	RM222-050-221-5900	M55302/190LE90Y	RM222-090-251-5501
M55302/190LD50N	RM222-050-221-7600	M55302/190LE90F	RM222-090-251-2900
M55302/190LD50L	RM222-050-221-5100	M55302/190LE90S	RM222-090-251-5900
M55302/190LD50M	RM222-050-221-6400	M55302/190LE90N	RM222-090-251-7600
M55302/190LD40X	RM222-040-221-5500	M55302/190LE90L	RM222-090-251-5100
M55302/190LD40Y	RM222-040-221-5501	M55302/190LE90M	RM222-090-251-6400
M55302/190LD40F	RM222-040-221-2900	M55302/190LE80X	RM222-080-251-5500
M55302/190LD40S	RM222-040-221-5900	M55302/190LE80Y	RM222-080-251-5501
M55302/190LD40N	RM222-040-221-7600	M55302/190LE80F	RM222-080-251-2900
M55302/190LD40L	RM222-040-221-5100	M55302/190LE80S	RM222-080-251-5900
M55302/190LD40M	RM222-040-221-6400	M55302/190LE80N	RM222-080-251-7600
M55302/190LD30X	RM222-030-221-5500	M55302/190LE80L	RM222-080-251-5100
M55302/190LD30Y	RM222-030-221-5501	M55302/190LE80M	RM222-080-251-6400
M55302/190LD30F	RM222-030-221-2900	M55302/190LE70X	RM222-070-251-5500
M55302/190LD30S	RM222-030-221-5900	M55302/190LE70Y	RM222-070-251-5501
M55302/190LD30N	RM222-030-221-7600	M55302/190LE70F	RM222-070-251-2900
M55302/190LD30L	RM222-030-221-5100	M55302/190LE70S	RM222-070-251-5900
M55302/190LD30M	RM222-030-221-6400	M55302/190LE70N	RM222-070-251-7600
M55302/190LD20X	RM222-020-221-5500	M55302/190LE70L	RM222-070-251-5100
M55302/190LD20Y	RM222-020-221-5501	M55302/190LE70M	RM222-070-251-6400
M55302/190LD20F	RM222-020-221-2900	M55302/190LE60X	RM222-060-251-5500
M55302/190LD20S	RM222-020-221-5900	M55302/190LE60Y	RM222-060-251-5501
M55302/190LD20N	RM222-020-221-7600	M55302/190LE60F	RM222-060-251-2900
M55302/190LD20L	RM222-020-221-5100	M55302/190LE60S	RM222-060-251-5900
M55302/190LD20M	RM222-020-221-6400	M55302/190LE60N	RM222-060-251-7600
M55302/190LD10X	RM222-010-221-5500	M55302/190LE60L	RM222-060-251-5100
M55302/190LD10Y	RM222-010-221-5501	M55302/190LE60M	RM222-060-251-6400
M55302/190LD10F	RM222-010-221-2900	M55302/190LE50X	RM222-050-251-5500
M55302/190LD10S	RM222-010-221-5900	M55302/190LE50Y	RM222-050-251-5501

PLEASE CONSULT THE AIRBORN WEBSITE FOR THE LATEST REVISION OF THIS DOCUMENT PRIOR TO BEGINNING ANY DESIGN WORK.



R-Series / Military Part Number Guide

Military Part No.	AirBorn Part No.	Military Part No.	AirBorn Part No.
M55302/190LE50F	RM222-050-251-2900	M55302/190LF90X	RM222-090-271-5500
M55302/190LE50S	RM222-050-251-5900	M55302/190LF90Y	RM222-090-271-5501
M55302/190LE50N	RM222-050-251-7600	M55302/190LF90F	RM222-090-271-2900
M55302/190LE50L	RM222-050-251-5100	M55302/190LF90S	RM222-090-271-5900
M55302/190LE50M	RM222-050-251-6400	M55302/190LF90N	RM222-090-271-7600
M55302/190LE40X	RM222-040-251-5500	M55302/190LF90L	RM222-090-271-5100
M55302/190LE40Y	RM222-040-251-5501	M55302/190LF90M	RM222-090-271-6400
M55302/190LE40F	RM222-040-251-2900	M55302/190LF80X	RM222-080-271-5500
M55302/190LE40S	RM222-040-251-5900	M55302/190LF80Y	RM222-080-271-5501
M55302/190LE40N	RM222-040-251-7600	M55302/190LF80F	RM222-080-271-2900
M55302/190LE40L	RM222-040-251-5100	M55302/190LF80S	RM222-080-271-5900
M55302/190LE40M	RM222-040-251-6400	M55302/190LF80N	RM222-080-271-7600
M55302/190LE30X	RM222-030-251-5500	M55302/190LF80L	RM222-080-271-5100
M55302/190LE30Y	RM222-030-251-5501	M55302/190LF80M	RM222-080-271-6400
M55302/190LE30F	RM222-030-251-2900	M55302/190LF70X	RM222-070-271-5500
M55302/190LE30S	RM222-030-251-5900	M55302/190LF70Y	RM222-070-271-5501
M55302/190LE30N	RM222-030-251-7600	M55302/190LF70F	RM222-070-271-2900
M55302/190LE30L	RM222-030-251-5100	M55302/190LF70S	RM222-070-271-5900
M55302/190LE30M	RM222-030-251-6400	M55302/190LF70N	RM222-070-271-7600
M55302/190LE20X	RM222-020-251-5500	M55302/190LF70L	RM222-070-271-5100
M55302/190LE20Y	RM222-020-251-5501	M55302/190LF70M	RM222-070-271-6400
M55302/190LE20F	RM222-020-251-2900	M55302/190LF60X	RM222-060-271-5500
M55302/190LE20S	RM222-020-251-5900	M55302/190LF60Y	RM222-060-271-5501
M55302/190LE20N	RM222-020-251-7600	M55302/190LF60F	RM222-060-271-2900
M55302/190LE20L	RM222-020-251-5100	M55302/190LF60S	RM222-060-271-5900
M55302/190LE20M	RM222-020-251-6400	M55302/190LF60N	RM222-060-271-7600
M55302/190LE10X	RM222-010-251-5500	M55302/190LF60L	RM222-060-271-5100
M55302/190LE10Y	RM222-010-251-5501	M55302/190LF60M	RM222-060-271-6400
M55302/190LE10F	RM222-010-251-2900	M55302/190LF50X	RM222-050-271-5500
M55302/190LE10S	RM222-010-251-5900	M55302/190LF50Y	RM222-050-271-5501
M55302/190LE10N	RM222-010-251-7600	M55302/190LF50F	RM222-050-271-2900
M55302/190LE10L	RM222-010-251-5100	M55302/190LF50S	RM222-050-271-5900
M55302/190LE10M	RM222-010-251-6400	M55302/190LF50N	RM222-050-271-7600
M55302/190LF100X	RM222-100-271-5500	M55302/190LF50L	RM222-050-271-5100
M55302/190LF100Y	RM222-100-271-5501	M55302/190LF50M	RM222-050-271-6400
M55302/190LF100F	RM222-100-271-2900	M55302/190LF40X	RM222-040-271-5500
M55302/190LF100S	RM222-100-271-5900	M55302/190LF40Y	RM222-040-271-5501
M55302/190LF100N	RM222-100-271-7600	M55302/190LF40F	RM222-040-271-2900
M55302/190LF100L	RM222-100-271-5100	M55302/190LF40S	RM222-040-271-5900
M55302/190LF100M	RM222-100-271-6400	M55302/190LF40N	RM222-040-271-7600

PLEASE CONSULT THE AIRBORN WEBSITE FOR THE LATEST REVISION OF THIS DOCUMENT PRIOR TO BEGINNING ANY DESIGN WORK.



R-Series / Military Part Number Guide

Military Part No.	AirBorn Part No.	Military Part No.	AirBorn Part No.
M55302/190LF40L	RM222-040-271-5100	M55302/190LG80S	RM222-080-261-5900
M55302/190LF40M	RM222-040-271-6400	M55302/190LG80N	RM222-080-261-7600
M55302/190LF30X	RM222-030-271-5500	M55302/190LG80L	RM222-080-261-5100
M55302/190LF30Y	RM222-030-271-5501	M55302/190LG80M	RM222-080-261-6400
M55302/190LF30F	RM222-030-271-2900	M55302/190LG70X	RM222-070-261-5500
M55302/190LF30S	RM222-030-271-5900	M55302/190LG70Y	RM222-070-261-5501
M55302/190LF30N	RM222-030-271-7600	M55302/190LG70F	RM222-070-261-2900
M55302/190LF30L	RM222-030-271-5100	M55302/190LG70S	RM222-070-261-5900
M55302/190LF30M	RM222-030-271-6400	M55302/190LG70N	RM222-070-261-7600
M55302/190LF20X	RM222-020-271-5500	M55302/190LG70L	RM222-070-261-5100
M55302/190LF20Y	RM222-020-271-5501	M55302/190LG70M	RM222-070-261-6400
M55302/190LF20F	RM222-020-271-2900	M55302/190LG60X	RM222-060-261-5500
M55302/190LF20S	RM222-020-271-5900	M55302/190LG60Y	RM222-060-261-5501
M55302/190LF20N	RM222-020-271-7600	M55302/190LG60F	RM222-060-261-2900
M55302/190LF20L	RM222-020-271-5100	M55302/190LG60S	RM222-060-261-5900
M55302/190LF20M	RM222-020-271-6400	M55302/190LG60N	RM222-060-261-7600
M55302/190LF10X	RM222-010-271-5500	M55302/190LG60L	RM222-060-261-5100
M55302/190LF10Y	RM222-010-271-5501	M55302/190LG60M	RM222-060-261-6400
M55302/190LF10F	RM222-010-271-2900	M55302/190LG50X	RM222-050-261-5500
M55302/190LF10S	RM222-010-271-5900	M55302/190LG50Y	RM222-050-261-5501
M55302/190LF10N	RM222-010-271-7600	M55302/190LG50F	RM222-050-261-2900
M55302/190LF10L	RM222-010-271-5100	M55302/190LG50S	RM222-050-261-5900
M55302/190LF10M	RM222-010-271-6400	M55302/190LG50N	RM222-050-261-7600
M55302/190LG100X	RM222-100-261-5500	M55302/190LG50L	RM222-050-261-5100
M55302/190LG100Y	RM222-100-261-5501	M55302/190LG50M	RM222-050-261-6400
M55302/190LG100F	RM222-100-261-2900	M55302/190LG40X	RM222-040-261-5500
M55302/190LG100S	RM222-100-261-5900	M55302/190LG40Y	RM222-040-261-5501
M55302/190LG100N	RM222-100-261-7600	M55302/190LG40F	RM222-040-261-2900
M55302/190LG100L	RM222-100-261-5100	M55302/190LG40S	RM222-040-261-5900
M55302/190LG100M	RM222-100-261-6400	M55302/190LG40N	RM222-040-261-7600
M55302/190LG90X	RM222-090-261-5500	M55302/190LG40L	RM222-040-261-5100
M55302/190LG90Y	RM222-090-261-5501	M55302/190LG40M	RM222-040-261-6400
M55302/190LG90F	RM222-090-261-2900	M55302/190LG30X	RM222-030-261-5500
M55302/190LG90S	RM222-090-261-5900	M55302/190LG30Y	RM222-030-261-5501
M55302/190LG90N	RM222-090-261-7600	M55302/190LG30F	RM222-030-261-2900
M55302/190LG90L	RM222-090-261-5100	M55302/190LG30S	RM222-030-261-5900
M55302/190LG90M	RM222-090-261-6400	M55302/190LG30N	RM222-030-261-7600
M55302/190LG80X	RM222-080-261-5500	M55302/190LG30L	RM222-030-261-5100
M55302/190LG80Y	RM222-080-261-5501	M55302/190LG30M	RM222-030-261-6400
M55302/190LG80F	RM222-080-261-2900	M55302/190LG20X	RM222-020-261-5500

PLEASE CONSULT THE AIRBORN WEBSITE FOR THE LATEST REVISION OF THIS DOCUMENT PRIOR TO BEGINNING ANY DESIGN WORK.



R-Series / Military Part Number Guide

Military Part No.	AirBorn Part No.	Military Part No.	AirBorn Part No.
M55302/190LG20Y	RM222-020-261-5501	M55302/190LH70M	RM222-070-281-6400
M55302/190LG20F	RM222-020-261-2900	M55302/190LH60X	RM222-060-281-5500
M55302/190LG20S	RM222-020-261-5900	M55302/190LH60Y	RM222-060-281-5501
M55302/190LG20N	RM222-020-261-7600	M55302/190LH60F	RM222-060-281-2900
M55302/190LG20L	RM222-020-261-5100	M55302/190LH60S	RM222-060-281-5900
M55302/190LG20M	RM222-020-261-6400	M55302/190LH60N	RM222-060-281-7600
M55302/190LG10X	RM222-010-261-5500	M55302/190LH60L	RM222-060-281-5100
M55302/190LG10Y	RM222-010-261-5501	M55302/190LH60M	RM222-060-281-6400
M55302/190LG10F	RM222-010-261-2900	M55302/190LH50X	RM222-050-281-5500
M55302/190LG10S	RM222-010-261-5900	M55302/190LH50Y	RM222-050-281-5501
M55302/190LG10N	RM222-010-261-7600	M55302/190LH50F	RM222-050-281-2900
M55302/190LG10L	RM222-010-261-5100	M55302/190LH50S	RM222-050-281-5900
M55302/190LG10M	RM222-010-261-6400	M55302/190LH50N	RM222-050-281-7600
M55302/190LH100X	RM222-100-281-5500	M55302/190LH50L	RM222-050-281-5100
M55302/190LH100Y	RM222-100-281-5501	M55302/190LH50M	RM222-050-281-6400
M55302/190LH100F	RM222-100-281-2900	M55302/190LH40X	RM222-040-281-5500
M55302/190LH100S	RM222-100-281-5900	M55302/190LH40Y	RM222-040-281-5501
M55302/190LH100N	RM222-100-281-7600	M55302/190LH40F	RM222-040-281-2900
M55302/190LH100L	RM222-100-281-5100	M55302/190LH40S	RM222-040-281-5900
M55302/190LH100M	RM222-100-281-6400	M55302/190LH40N	RM222-040-281-7600
M55302/190LH90X	RM222-090-281-5500	M55302/190LH40L	RM222-040-281-5100
M55302/190LH90Y	RM222-090-281-5501	M55302/190LH40M	RM222-040-281-6400
M55302/190LH90F	RM222-090-281-2900	M55302/190LH30X	RM222-030-281-5500
M55302/190LH90S	RM222-090-281-5900	M55302/190LH30Y	RM222-030-281-5501
M55302/190LH90N	RM222-090-281-7600	M55302/190LH30F	RM222-030-281-2900
M55302/190LH90L	RM222-090-281-5100	M55302/190LH30S	RM222-030-281-5900
M55302/190LH90M	RM222-090-281-6400	M55302/190LH30N	RM222-030-281-7600
M55302/190LH80X	RM222-080-281-5500	M55302/190LH30L	RM222-030-281-5100
M55302/190LH80Y	RM222-080-281-5501	M55302/190LH30M	RM222-030-281-6400
M55302/190LH80F	RM222-080-281-2900	M55302/190LH20X	RM222-020-281-5500
M55302/190LH80S	RM222-080-281-5900	M55302/190LH20Y	RM222-020-281-5501
M55302/190LH80N	RM222-080-281-7600	M55302/190LH20F	RM222-020-281-2900
M55302/190LH80L	RM222-080-281-5100	M55302/190LH20S	RM222-020-281-5900
M55302/190LH80M	RM222-080-281-6400	M55302/190LH20N	RM222-020-281-7600
M55302/190LH70X	RM222-070-281-5500	M55302/190LH20L	RM222-020-281-5100
M55302/190LH70Y	RM222-070-281-5501	M55302/190LH20M	RM222-020-281-6400
M55302/190LH70F	RM222-070-281-2900	M55302/190LH10X	RM222-010-281-5500
M55302/190LH70S	RM222-070-281-5900	M55302/190LH10Y	RM222-010-281-5501
M55302/190LH70N	RM222-070-281-7600	M55302/190LH10F	RM222-010-281-2900
M55302/190LH70L	RM222-070-281-5100	M55302/190LH10S	RM222-010-281-5900

PLEASE CONSULT THE AIRBORN WEBSITE FOR THE LATEST REVISION OF THIS DOCUMENT PRIOR TO BEGINNING ANY DESIGN WORK.



R-Series / Military Part Number Guide

Military Part No.	AirBorn Part No.
M55302/190LH10N	RM222-010-281-7600
M55302/190LH10L	RM222-010-281-5100
M55302/190LH10M	RM222-010-281-6400

Military Part No.	AirBorn Part No.
M55302/191A60N	RM252-060-311-7600
M55302/191A60L	RM252-060-311-5100
M55302/191A60M	RM252-060-311-6400
M55302/191A50X	RM252-050-311-5500
M55302/191A50Y	RM252-050-311-5501
M55302/191A50F	RM252-050-311-2900
M55302/191A50S	RM252-050-311-5900
M55302/191A50N	RM252-050-311-7600
M55302/191A50L	RM252-050-311-5100
M55302/191A50M	RM252-050-311-6400
M55302/191A40X	RM252-040-311-5500
M55302/191A40Y	RM252-040-311-5501
M55302/191A40F	RM252-040-311-2900
M55302/191A40S	RM252-040-311-5900
M55302/191A40N	RM252-040-311-7600
M55302/191A40L	RM252-040-311-5100
M55302/191A40M	RM252-040-311-6400
M55302/191A30X	RM252-030-311-5500
M55302/191A30Y	RM252-030-311-5501
M55302/191A30F	RM252-030-311-2900
M55302/191A30S	RM252-030-311-5900
M55302/191A30N	RM252-030-311-7600
M55302/191A30L	RM252-030-311-5100
M55302/191A30M	RM252-030-311-6400
M55302/191A20X	RM252-020-311-5500
M55302/191A20Y	RM252-020-311-5501
M55302/191A20F	RM252-020-311-2900
M55302/191A20S	RM252-020-311-5900
M55302/191A20N	RM252-020-311-7600
M55302/191A20L	RM252-020-311-5100
M55302/191A20M	RM252-020-311-6400
M55302/191A10X	RM252-010-311-5500
M55302/191A10Y	RM252-010-311-5501
M55302/191A10F	RM252-010-311-2900
M55302/191A10S	RM252-010-311-5900
M55302/191A10N	RM252-010-311-7600
M55302/191A10L	RM252-010-311-5100
M55302/191A10M	RM252-010-311-6400
M55302/191B100X	RM252-100-321-5500
M55302/191B100Y	RM252-100-321-5501

2-Row		Plug	
Military Part No.	AirBorn Part No.	Military Part No.	AirBorn Part No.
M55302/191A100X	RM252-100-311-5500		
M55302/191A100Y	RM252-100-311-5501		
M55302/191A100F	RM252-100-311-2900		
M55302/191A100S	RM252-100-311-5900		
M55302/191A100N	RM252-100-311-7600		
M55302/191A100L	RM252-100-311-5100		
M55302/191A100M	RM252-100-311-6400		
M55302/191A90X	RM252-090-311-5500		
M55302/191A90Y	RM252-090-311-5501		
M55302/191A90F	RM252-090-311-2900		
M55302/191A90S	RM252-090-311-5900		
M55302/191A90N	RM252-090-311-7600		
M55302/191A90L	RM252-090-311-5100		
M55302/191A90M	RM252-090-311-6400		
M55302/191A80X	RM252-080-311-5500		
M55302/191A80Y	RM252-080-311-5501		
M55302/191A80F	RM252-080-311-2900		
M55302/191A80S	RM252-080-311-5900		
M55302/191A80N	RM252-080-311-7600		
M55302/191A80L	RM252-080-311-5100		
M55302/191A80M	RM252-080-311-6400		
M55302/191A70X	RM252-070-311-5500		
M55302/191A70Y	RM252-070-311-5501		
M55302/191A70F	RM252-070-311-2900		
M55302/191A70S	RM252-070-311-5900		
M55302/191A70N	RM252-070-311-7600		
M55302/191A70L	RM252-070-311-5100		
M55302/191A70M	RM252-070-311-6400		
M55302/191A60X	RM252-060-311-5500		
M55302/191A60Y	RM252-060-311-5501		
M55302/191A60F	RM252-060-311-2900		
M55302/191A60S	RM252-060-311-5900		

PLEASE CONSULT THE AIRBORN WEBSITE FOR THE LATEST REVISION OF THIS DOCUMENT PRIOR TO BEGINNING ANY DESIGN WORK.



R-Series / Military Part Number Guide

Military Part No.	AirBorn Part No.	Military Part No.	AirBorn Part No.
M55302/191B100F	RM252-100-321-2900	M55302/191B40X	RM252-040-321-5500
M55302/191B100S	RM252-100-321-5900	M55302/191B40Y	RM252-040-321-5501
M55302/191B100N	RM252-100-321-7600	M55302/191B40F	RM252-040-321-2900
M55302/191B100L	RM252-100-321-5100	M55302/191B40S	RM252-040-321-5900
M55302/191B100M	RM252-100-321-6400	M55302/191B40N	RM252-040-321-7600
M55302/191B90X	RM252-090-321-5500	M55302/191B40L	RM252-040-321-5100
M55302/191B90Y	RM252-090-321-5501	M55302/191B40M	RM252-040-321-6400
M55302/191B90F	RM252-090-321-2900	M55302/191B30X	RM252-030-321-5500
M55302/191B90S	RM252-090-321-5900	M55302/191B30Y	RM252-030-321-5501
M55302/191B90N	RM252-090-321-7600	M55302/191B30F	RM252-030-321-2900
M55302/191B90L	RM252-090-321-5100	M55302/191B30S	RM252-030-321-5900
M55302/191B90M	RM252-090-321-6400	M55302/191B30N	RM252-030-321-7600
M55302/191B80X	RM252-080-321-5500	M55302/191B30L	RM252-030-321-5100
M55302/191B80Y	RM252-080-321-5501	M55302/191B30M	RM252-030-321-6400
M55302/191B80F	RM252-080-321-2900	M55302/191B20X	RM252-020-321-5500
M55302/191B80S	RM252-080-321-5900	M55302/191B20Y	RM252-020-321-5501
M55302/191B80N	RM252-080-321-7600	M55302/191B20F	RM252-020-321-2900
M55302/191B80L	RM252-080-321-5100	M55302/191B20S	RM252-020-321-5900
M55302/191B80M	RM252-080-321-6400	M55302/191B20N	RM252-020-321-7600
M55302/191B70X	RM252-070-321-5500	M55302/191B20L	RM252-020-321-5100
M55302/191B70Y	RM252-070-321-5501	M55302/191B20M	RM252-020-321-6400
M55302/191B70F	RM252-070-321-2900	M55302/191B10X	RM252-010-321-5500
M55302/191B70S	RM252-070-321-5900	M55302/191B10Y	RM252-010-321-5501
M55302/191B70N	RM252-070-321-7600	M55302/191B10F	RM252-010-321-2900
M55302/191B70L	RM252-070-321-5100	M55302/191B10S	RM252-010-321-5900
M55302/191B70M	RM252-070-321-6400	M55302/191B10N	RM252-010-321-7600
M55302/191B60X	RM252-060-321-5500	M55302/191B10L	RM252-010-321-5100
M55302/191B60Y	RM252-060-321-5501	M55302/191B10M	RM252-010-321-6400
M55302/191B60F	RM252-060-321-2900	M55302/191C100X	RM252-100-331-5500
M55302/191B60S	RM252-060-321-5900	M55302/191C100Y	RM252-100-331-5501
M55302/191B60N	RM252-060-321-7600	M55302/191C100F	RM252-100-331-2900
M55302/191B60L	RM252-060-321-5100	M55302/191C100S	RM252-100-331-5900
M55302/191B60M	RM252-060-321-6400	M55302/191C100N	RM252-100-331-7600
M55302/191B50X	RM252-050-321-5500	M55302/191C100L	RM252-100-331-5100
M55302/191B50Y	RM252-050-321-5501	M55302/191C100M	RM252-100-331-6400
M55302/191B50F	RM252-050-321-2900	M55302/191C90X	RM252-090-331-5500
M55302/191B50S	RM252-050-321-5900	M55302/191C90Y	RM252-090-331-5501
M55302/191B50N	RM252-050-321-7600	M55302/191C90F	RM252-090-331-2900
M55302/191B50L	RM252-050-321-5100	M55302/191C90S	RM252-090-331-5900
M55302/191B50M	RM252-050-321-6400	M55302/191C90N	RM252-090-331-7600

PLEASE CONSULT THE AIRBORN WEBSITE FOR THE LATEST REVISION OF THIS DOCUMENT PRIOR TO BEGINNING ANY DESIGN WORK.



R-Series / Military Part Number Guide

Military Part No.	AirBorn Part No.
M55302/191C90L	RM252-090-331-5100
M55302/191C90M	RM252-090-331-6400
M55302/191C80X	RM252-080-331-5500
M55302/191C80Y	RM252-080-331-5501
M55302/191C80F	RM252-080-331-2900
M55302/191C80S	RM252-080-331-5900
M55302/191C80N	RM252-080-331-7600
M55302/191C80L	RM252-080-331-5100
M55302/191C80M	RM252-080-331-6400
M55302/191C70X	RM252-070-331-5500
M55302/191C70Y	RM252-070-331-5501
M55302/191C70F	RM252-070-331-2900
M55302/191C70S	RM252-070-331-5900
M55302/191C70N	RM252-070-331-7600
M55302/191C70L	RM252-070-331-5100
M55302/191C70M	RM252-070-331-6400
M55302/191C60X	RM252-060-331-5500
M55302/191C60Y	RM252-060-331-5501
M55302/191C60F	RM252-060-331-2900
M55302/191C60S	RM252-060-331-5900
M55302/191C60N	RM252-060-331-7600
M55302/191C60L	RM252-060-331-5100
M55302/191C60M	RM252-060-331-6400
M55302/191C50X	RM252-050-331-5500
M55302/191C50Y	RM252-050-331-5501
M55302/191C50F	RM252-050-331-2900
M55302/191C50S	RM252-050-331-5900
M55302/191C50N	RM252-050-331-7600
M55302/191C50L	RM252-050-331-5100
M55302/191C50M	RM252-050-331-6400
M55302/191C40X	RM252-040-331-5500
M55302/191C40Y	RM252-040-331-5501
M55302/191C40F	RM252-040-331-2900
M55302/191C40S	RM252-040-331-5900
M55302/191C40N	RM252-040-331-7600
M55302/191C40L	RM252-040-331-5100
M55302/191C40M	RM252-040-331-6400
M55302/191C30X	RM252-030-331-5500
M55302/191C30Y	RM252-030-331-5501
M55302/191C30F	RM252-030-331-2900

Military Part No.	AirBorn Part No.
M55302/191C30S	RM252-030-331-5900
M55302/191C30N	RM252-030-331-7600
M55302/191C30L	RM252-030-331-5100
M55302/191C30M	RM252-030-331-6400
M55302/191C20X	RM252-020-331-5500
M55302/191C20Y	RM252-020-331-5501
M55302/191C20F	RM252-020-331-2900
M55302/191C20S	RM252-020-331-5900
M55302/191C20N	RM252-020-331-7600
M55302/191C20L	RM252-020-331-5100
M55302/191C20M	RM252-020-331-6400
M55302/191C10X	RM252-010-331-5500
M55302/191C10Y	RM252-010-331-5501
M55302/191C10F	RM252-010-331-2900
M55302/191C10S	RM252-010-331-5900
M55302/191C10N	RM252-010-331-7600
M55302/191C10L	RM252-010-331-5100
M55302/191C10M	RM252-010-331-6400

3-Row Receptacle	
Military Part No.	AirBorn Part No.
M55302/192LA122X	RM322-122-241-5500
M55302/192LA122Y	RM322-122-241-5501
M55302/192LA122F	RM322-122-241-2900
M55302/192LA122S	RM322-122-241-5900
M55302/192LA122N	RM322-122-241-7600
M55302/192LA122L	RM322-122-241-5100
M55302/192LA122M	RM322-122-241-6400
M55302/192LA152X	RM322-152-241-5500
M55302/192LA152Y	RM322-152-241-5501
M55302/192LA152F	RM322-152-241-2900
M55302/192LA152S	RM322-152-241-5900
M55302/192LA152N	RM322-152-241-7600
M55302/192LA152L	RM322-152-241-5100
M55302/192LA152M	RM322-152-241-6400
M55302/192LB122X	RM322-122-201-5500
M55302/192LB122Y	RM322-122-201-5501
M55302/192LB122F	RM322-122-201-2900

PLEASE CONSULT THE AIRBORN WEBSITE FOR THE LATEST REVISION OF THIS DOCUMENT PRIOR TO BEGINNING ANY DESIGN WORK.



R-Series / Military Part Number Guide

Military Part No.	AirBorn Part No.	Military Part No.	AirBorn Part No.
M55302/192LB122S	RM322-122-201-5900	M55302/192LE122Y	RM322-122-251-5501
M55302/192LB122N	RM322-122-201-7600	M55302/192LE122F	RM322-122-251-2900
M55302/192LB122L	RM322-122-201-5100	M55302/192LE122S	RM322-122-251-5900
M55302/192LB122M	RM322-122-201-6400	M55302/192LE122N	RM322-122-251-7600
M55302/192LB152X	RM322-152-201-5500	M55302/192LE122L	RM322-122-251-5100
M55302/192LB152Y	RM322-152-201-5501	M55302/192LE122M	RM322-122-251-6400
M55302/192LB152F	RM322-152-201-2900	M55302/192LE152X	RM322-152-251-5500
M55302/192LB152S	RM322-152-201-5900	M55302/192LE152Y	RM322-152-251-5501
M55302/192LB152N	RM322-152-201-7600	M55302/192LE152F	RM322-152-251-2900
M55302/192LB152L	RM322-152-201-5100	M55302/192LE152S	RM322-152-251-5900
M55302/192LB152M	RM322-152-201-6400	M55302/192LE152N	RM322-152-251-7600
M55302/192LC122X	RM322-122-211-5500	M55302/192LE152L	RM322-152-251-5100
M55302/192LC122Y	RM322-122-211-5501	M55302/192LE152M	RM322-152-251-6400
M55302/192LC122F	RM322-122-211-2900	M55302/192LF122X	RM322-122-271-5500
M55302/192LC122S	RM322-122-211-5900	M55302/192LF122Y	RM322-122-271-5501
M55302/192LC122N	RM322-122-211-7600	M55302/192LF122F	RM322-122-271-2900
M55302/192LC122L	RM322-122-211-5100	M55302/192LF122S	RM322-122-271-5900
M55302/192LC122M	RM322-122-211-6400	M55302/192LF122N	RM322-122-271-7600
M55302/192LC152X	RM322-152-211-5500	M55302/192LF122L	RM322-122-271-5100
M55302/192LC152Y	RM322-152-211-5501	M55302/192LF122M	RM322-122-271-6400
M55302/192LC152F	RM322-152-211-2900	M55302/192LF152X	RM322-152-271-5500
M55302/192LC152S	RM322-152-211-5900	M55302/192LF152Y	RM322-152-271-5501
M55302/192LC152N	RM322-152-211-7600	M55302/192LF152F	RM322-152-271-2900
M55302/192LC152L	RM322-152-211-5100	M55302/192LF152S	RM322-152-271-5900
M55302/192LC152M	RM322-152-211-6400	M55302/192LF152N	RM322-152-271-7600
M55302/192LD122X	RM322-122-221-5500	M55302/192LF152L	RM322-152-271-5100
M55302/192LD122Y	RM322-122-221-5501	M55302/192LF152M	RM322-152-271-6400
M55302/192LD122F	RM322-122-221-2900	M55302/192LG122X	RM322-122-261-5500
M55302/192LD122S	RM322-122-221-5900	M55302/192LG122Y	RM322-122-261-5501
M55302/192LD122N	RM322-122-221-7600	M55302/192LG122F	RM322-122-261-2900
M55302/192LD122L	RM322-122-221-5100	M55302/192LG122S	RM322-122-261-5900
M55302/192LD122M	RM322-122-221-6400	M55302/192LG122N	RM322-122-261-7600
M55302/192LD152X	RM322-152-221-5500	M55302/192LG122L	RM322-122-261-5100
M55302/192LD152Y	RM322-152-221-5501	M55302/192LG122M	RM322-122-261-6400
M55302/192LD152F	RM322-152-221-2900	M55302/192LG152X	RM322-152-261-5500
M55302/192LD152S	RM322-152-221-5900	M55302/192LG152Y	RM322-152-261-5501
M55302/192LD152N	RM322-152-221-7600	M55302/192LG152F	RM322-152-261-2900
M55302/192LD152L	RM322-152-221-5100	M55302/192LG152S	RM322-152-261-5900
M55302/192LD152M	RM322-152-221-6400	M55302/192LG152N	RM322-152-261-7600
M55302/192LE122X	RM322-122-251-5500	M55302/192LG152L	RM322-152-261-5100

PLEASE CONSULT THE AIRBORN WEBSITE FOR THE LATEST REVISION OF THIS DOCUMENT PRIOR TO BEGINNING ANY DESIGN WORK.



R-Series / Military Part Number Guide

Military Part No.	AirBorn Part No.
M55302/192LG152M	RM322-152-261-6400
M55302/192LH122X	RM322-122-281-5500
M55302/192LH122Y	RM322-122-281-5501
M55302/192LH122F	RM322-122-281-2900
M55302/192LH122S	RM322-122-281-5900
M55302/192LH122N	RM322-122-281-7600
M55302/192LH122L	RM322-122-281-5100
M55302/192LH122M	RM322-122-281-6400
M55302/192LH152X	RM322-152-281-5500
M55302/192LH152Y	RM322-152-281-5501
M55302/192LH152F	RM322-152-281-2900
M55302/192LH152S	RM322-152-281-5900
M55302/192LH152N	RM322-152-281-7600
M55302/192LH152L	RM322-152-281-5100
M55302/192LH152M	RM322-152-281-6400

Military Part No.	AirBorn Part No.
M55302/193B122M	RM352-122-321-6400
M55302/193B152X	RM352-152-321-5500
M55302/193B152Y	RM352-152-321-5501
M55302/193B152F	RM352-152-321-2900
M55302/193B152S	RM352-152-321-5900
M55302/193B152N	RM352-152-321-7600
M55302/193B152L	RM352-152-321-5100
M55302/193B152M	RM352-152-321-6400
M55302/193C122X	RM352-122-331-5500
M55302/193C122Y	RM352-122-331-5501
M55302/193C122F	RM352-122-331-2900
M55302/193C122S	RM352-122-331-5900
M55302/193C122N	RM352-122-331-7600
M55302/193C122L	RM352-122-331-5100
M55302/193C122M	RM352-122-331-6400
M55302/193C152X	RM352-152-331-5500
M55302/193C152Y	RM352-152-331-5501
M55302/193C152F	RM352-152-331-2900
M55302/193C152S	RM352-152-331-5900
M55302/193C152N	RM352-152-331-7600
M55302/193C152L	RM352-152-331-5100
M55302/193C152M	RM352-152-331-6400

3-Row Plug	
Military Part No.	AirBorn Part No.
M55302/193A122X	RM352-122-311-5500
M55302/193A122Y	RM352-122-311-5501
M55302/193A122F	RM352-122-311-2900
M55302/193A122S	RM352-122-311-5900
M55302/193A122N	RM352-122-311-7600
M55302/193A122L	RM352-122-311-5100
M55302/193A122M	RM352-122-311-6400
M55302/193A152X	RM352-152-311-5500
M55302/193A152Y	RM352-152-311-5501
M55302/193A152F	RM352-152-311-2900
M55302/193A152S	RM352-152-311-5900
M55302/193A152N	RM352-152-311-7600
M55302/193A152L	RM352-152-311-5100
M55302/193A152M	RM352-152-311-6400
M55302/193B122X	RM352-122-321-5500
M55302/193B122Y	RM352-122-321-5501
M55302/193B122F	RM352-122-321-2900
M55302/193B122S	RM352-122-321-5900
M55302/193B122N	RM352-122-321-7600
M55302/193B122L	RM352-122-321-5100

PLEASE CONSULT THE AIRBORN WEBSITE FOR THE LATEST REVISION OF THIS DOCUMENT PRIOR TO BEGINNING ANY DESIGN WORK.

Global Interconnect Solutions for Mission-Critical Applications



3500 AirBorn Circle — Georgetown, TX 78626 · p. 512.863.5585 · airborn.com

X-ON Electronics

Largest Supplier of Electrical and Electronic Components

Click to view similar products for [Other Tools](#) category:

Click to view products by [AirBorn](#) manufacturer:

Other Similar products are found below :

[CR-0AFL4--332K](#) [568681-1](#) [5800-0090](#) [58061-1](#) [59065-5](#) [59085](#) [00-8273-RDPP](#) [00-8729-WHPP](#) [593033](#) [593072](#) [593564100](#) [593575](#)
[593593](#) [011349-000](#) [CRCW08052740FRT1](#) [LUC-012S070DSM](#) [LUC-018S070DSP](#) [LUC-024S105DSP](#) [599-2021-3-NME](#) [599-JJ-2021-03](#)
[00-5080-YWPP](#) [00-9089-RDPP](#) [00-9300-RDPP](#) [CRCW2010331JR02](#) [601-JJ-06](#) [601-SPB](#) [601YSY](#) [602-JJ-03](#) [602SPB](#) [603-JJ-07-FP](#) [603-](#)
[JJY-04](#) [M15570-25](#) [CRTN1013](#) [CS16](#) [6-1579014-0](#) [6203](#) [62200-5709](#) [6240-1](#) [M43435 TY 2 SZ 3 FIN B BLK](#) [M43435 TY 5 SZ 3 FIN C](#)
[NAT](#) [M-5Z](#) [M6816](#) [M7298](#) [M7456](#) [M7976](#) [660-29ABT1](#) [662508-1](#) [CVHD-950X-93.333](#) [CW104-01X](#) [671-GP-04-KT39-73207](#)