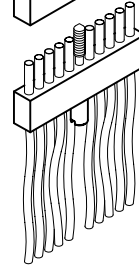
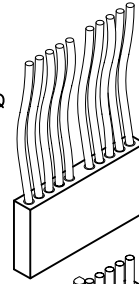


MA-131-010-161-A69WQ



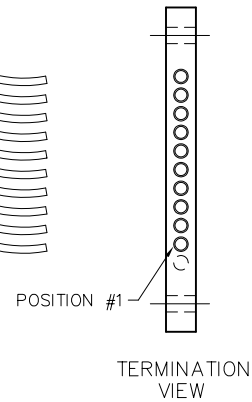
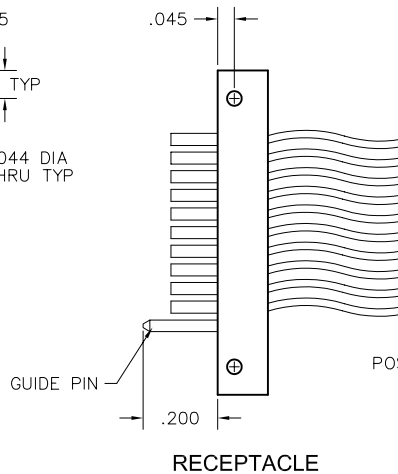
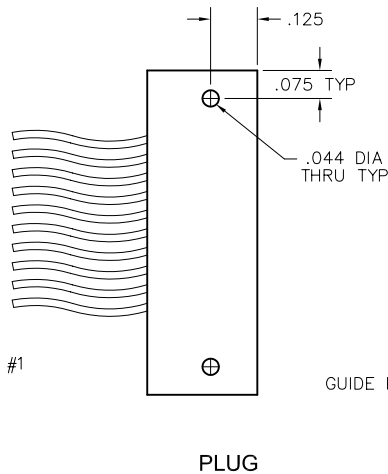
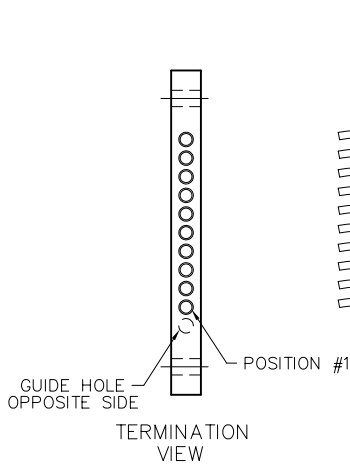
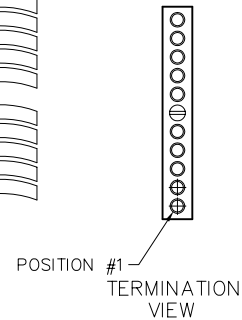
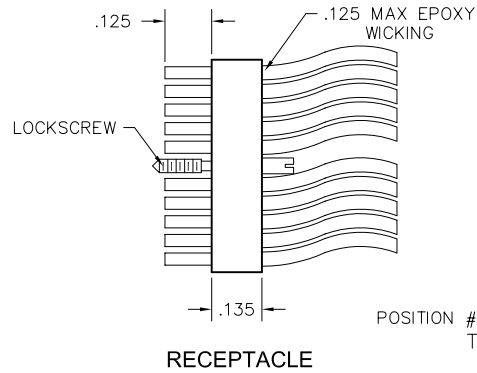
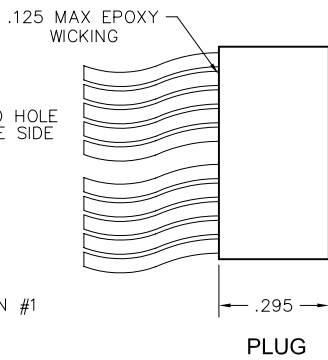
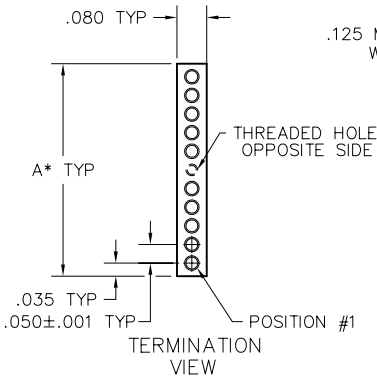
MA-141-010-261-A72WQ

1 • ROW Strip Connectors Cable to Cable

.050"

MA-1

2 thru 60 Contacts



OPTIONAL MOUNTING HOLES & GUIDE PIN

DIMENSIONS

To determine connector length (Dim "A"):
 Multiply the number of cavities in one row by .050" " "
 Add fixed end lengths (constant, .010" x 2) 0.02" "
 Add .150" for each mounting hole " "
 Total Length: " "

Notes:

Length over 2" may require support to insure alignment.

When using one lock screw, use centermost available hole.

* = Maximum length is 3.020". Maximum number of contacts

must be reduced to accommodate hardware and mounting holes.

PLUG: MA-131-010-161-A69WQ
RECEPTACLE: MA-141-010-261-A72WQ
 XX-XXX-XXX-XXX-XXXXX

PLUG

RECEPTACLE

SERIES

MA .050" Microminiature Strip Connector | MA .050" Microminiature Strip Connector

BODY

| | | | |
|---|--|---|--|
| 1 | 1-Row | 1 | 1-Row |
| BODY STYLE: (Material: Polyphenylene sulfide) | | BODY STYLE: (Material: Polyphenylene sulfide) | |
| 11 | Plug, straight, with mounting holes | 21 | Receptacle, straight, with mounting holes |
| 31 | Plug, straight, without mounting holes | 41 | Receptacle, straight, without mounting holes |

SIZE

XXX 002 - 060 | XXX 002 - 060
 Note: Maximum number of contacts is reduced when using hardware or mounting holes. See dimension chart on M-11.

CONTACTS

| | | | |
|------------------------------------|---|------------------------------------|--|
| TYPE CONTACTS/TERMINATIONS: | | TYPE CONTACTS/TERMINATIONS: | |
| 11 | Pin, straight, solder cup | 21 | Socket, straight, solder cup |
| 14 | Pin, straight, .500" pigtails (.018 dia) | 24 | Socket, straight, .500" pigtails (.018 dia) |
| 15 | Pin, straight, 1.000" pigtails (.018 dia) | 25 | Socket, straight, 1.000" pigtails (.018 dia) |
| 16 | Pin, straight, crimped wire | 26 | Socket, straight, crimped wire |

| | | | |
|-------------------------|---|-------------------------|---|
| PLATING OPTIONS: | | PLATING OPTIONS: | |
| 1 | 50 μ" Au contacts (crimp wire) | 1 | 50 μ" Au contacts (crimp wire) |
| 3 | 50 μ" Au contacts; 10 μ" Au terminations (solder cup, pigtail) | 3 | 50 μ" Au contacts; 10 μ" Au terminations (solder cup, pigtail) |
| 5 | 50 μ" Au contacts; Sn/Pb alloy terminations (pigtail) <input checked="" type="checkbox"/> | 5 | 50 μ" Au contacts; Sn/Pb alloy terminations (pigtail) <input checked="" type="checkbox"/> |
| 7 | 50 μ" Au contacts; SAC305 terminations (pigtail) | 7 | 50 μ" Au contacts; SAC305 terminations (pigtail) |

HARDWARE

| | | | |
|---------------------------|--|---------------------------|---|
| STYLE OF HARDWARE: | | STYLE OF HARDWARE: | |
| A00 | None | A00 | None |
| A01-A49 | Latch box, side mounted (cavity number location) | A01-A49 | Latch spring, side mounted (cavity number location) |
| A50 | Latch boxes (two end cavities) | A51 | Latch springs (two end cavities) |
| A64 | One guide hole (centered)* | A61 | One guide pin (centered)* |
| A65 | One guide hole (first cavity) | A62 | One guide pin (first cavity) |
| A66 | One guide hole (last cavity) | A63 | One guide pin (last cavity) |
| A68 | Two guide holes (two end cavities) | A67 | Two guide pins (two end cavities) |
| A69 | One threaded hole (centered)* | A72 | One lockscrew (centered)*, uninstalled |
| AHX | One guide hole (cavity #2 - #9) | APX | One guide pin (cavity #2 - #9) |
| ATX | One threaded hole (cavity #2 - #9) | ALX | One lockscrew (cavity #2 - #9), uninstalled |

| | | | |
|-------------------------------|---|------------------------------|---|
| POLARIZATION / WIRING: | | POLARIZATION / WIRING | |
| 00 | None | 00 | None |
| XX | For wiring codes, see pages MA-3 & MA-4 | XX | For wiring codes, see pages MA-3 & MA-4 |

* = To determine location, divide the total number of cavities by two and round to the next whole number, if result is a fraction. See page M-15. See MA strip guidelines, page M-15, for location examples & visual clarification.

= Option not RoHS compliant



Wire Codes

NEMA HP3-EXBEB (Formerly M16878/4-24 TFE 7 strand)

| | 6" | 12" | 18" | 24" | 30" | 36" | 42" | 48" | 54" | 60" | 66" | 72" | 84" | 96" | 108" | 120" |
|--------------|----|-----|-----|-----|-----|-----|-----|-----|-----|-----|-----|-----|-----|-----|------|------|
| MIL-STD-681* | WA | WB | WC | UD | UE | WD | UG | UH | UJ | UK | UL | UM | UN | UP | UQ | UR |
| WHITE | WE | WF | WG | VD | VE | WH | VG | VH | VJ | VK | VL | VM | VN | VP | VQ | VR |
| YELLOW | WJ | WK | WL | | | WM | | | | | | | | | | |

NEMA HP3-EXBDB (Formerly M16878/4-26 TFE 7 strand)

| | 6" | 12" | 18" | 24" | 30" | 36" | 42" | 48" | 54" | 60" | 66" | 72" | 84" | 96" | 108" | 120" |
|--------------|----|-----|-----|-----|-----|-----|-----|-----|-----|-----|-----|-----|-----|-----|------|------|
| MIL-STD-681* | WN | WP | WQ | YD | YE | WR | YG | YH | YJ | YK | YL | YM | YN | YP | YQ | YR |
| WHITE | WS | WT | WU | ZD | ZE | WV | ZG | ZH | ZJ | ZK | ZL | ZM | ZN | ZP | ZQ | ZR |
| YELLOW | WW | WX | WY | | | WZ | | | | | | | | | | |

NEMA HP3-EXBCB (Formerly M16878/4-28 TFE 7 strand)

| | 6" | 12" | 18" | 24" | 30" | 36" | 42" | 48" | 54" | 60" | 66" | 72" | 84" | 96" | 108" | 120" |
|--------------|----|-----|-----|-----|-----|-----|-----|-----|-----|-----|-----|-----|-----|-----|------|------|
| MIL-STD-681* | XA | XB | XC | 1D | 1E | XD | 1G | 1H | 1J | 1K | 1L | 1M | 1N | 1P | 1Q | 1R |
| WHITE | XE | XF | XG | 2D | 2E | XH | 2G | 2H | 2J | 2K | 2L | 2M | 2N | 2P | 2Q | 2R |
| YELLOW | XJ | XK | XL | | | XM | | | | | | | | | | |

TWISTED PAIR per NEMA WC27500-XXRC2U00 (SAE AS22759/11)

| | 6" | 12" | 18" | 24" | 30" | 36" | 42" | 48" | 54" | 60" | 66" | 72" | 84" | 96" | 108" | 120" |
|--------|----|-----|-----|-----|-----|-----|-----|-----|-----|-----|-----|-----|-----|-----|------|------|
| 24 AWG | AA | AB | AC | AD | AE | AF | AG | AH | AJ | AK | AL | AM | AN | AP | AQ | AR |
| 26 AWG | BA | BB | BC | BD | BE | BF | BG | BH | BJ | BK | BL | BM | BN | BP | BQ | BR |

TWISTED PAIR per NEMA WC27500-XXSC2U00 (SAE AS22759/33)*** ☒

| | 6" | 12" | 18" | 24" | 30" | 36" | 42" | 48" | 54" | 60" | 66" | 72" | 84" | 96" | 108" | 120" |
|--------|----|-----|-----|-----|-----|-----|-----|-----|-----|-----|-----|-----|-----|-----|------|------|
| 24 AWG | JA | JB | JC | JD | JE | JF | JG | JH | JJ | JK | JL | JM | JN | JP | JQ | JR |
| 26 AWG | KA | KB | KC | KD | KE | KF | KG | KH | KJ | KK | KL | KM | KN | KP | KQ | KR |

For twisted pair wire connect charts, see page MA-9
 Twisted pair wire not available on MA, MC or Hybrid connectors

* = Connectors with more than 100 contacts will repeat color code after 100 colors.

*** = Per M83513, corrosion has been experienced on connectors that are pre-wired with 22759/33 and stored in sealed environments.
 Caution should be exercised when using this wire.

☒ = Option not RoHS compliant

X-ON Electronics

Largest Supplier of Electrical and Electronic Components

Click to view similar products for [Rectangular MIL Spec Connectors](#) category:

Click to view products by [AirBorn](#) manufacturer:

Other Similar products are found below :

[891-011-15SA2-BSST](#) [CTS-S16/16](#) [65002-062](#) [CY4602-000](#) [732-8020-01](#) [77058-22-55PN](#) [81542-20](#) [86.030.0053.0](#) [1241346-1](#) [RM252-020-311-2900](#) [DMC-M 08-16 SA](#) [1589051-4](#) [MSO34MPK1E1](#) [BACC65CAMA](#) [BACC65CP1PN](#) [BACI10BC0816PNBA](#) [HSB-D4S03DM222X](#) [2217548-1](#) [891-006-9PS-BST1T](#) [891-009-15SA2-BRT1T](#) [27963-20T12](#) [SIM2N40NC3](#) [SIM2S100A](#) [1604996-2](#) [SMD25PN90L-4055](#) [1900ND08S1B00A](#) [22628-10-6P-791](#) [RE04-212S](#) [M32139/03-G05SN](#) [CTD160E01F-6148](#) [CTJ112E03B](#) [CTJ122E02D-8000](#) [CTJ-3D-12](#) [CTJ920E06N-513](#) [CTJ920E12N-513](#) [CTL-16-090](#) [RM300-000-581-0000](#) [CY4600-000](#) [CY4601-000](#) [38111-14-15SN](#) [38112-14-15PN](#) [MMA23-0111R1](#) [MMD25-0071P1](#) [33516062020](#) [33526M11-08PE](#) [DMC-M99-01AN](#) [Y59113WE20PNV00300](#) [ZPF000000000106310](#) [105979-31](#) [EN4165M01AD0G0](#)