



Cable to Board (Narrow Footprint)

.050"

9 thru 100 Contacts

Rugged Cable

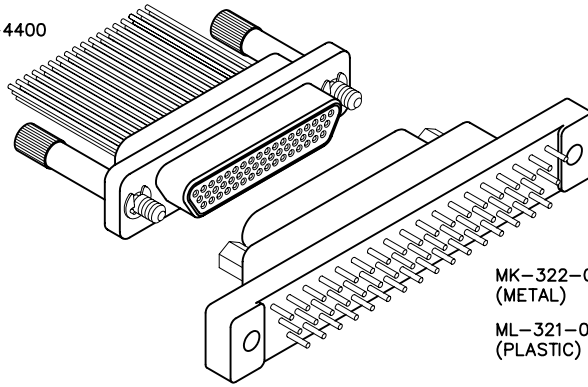
MM, MN

Rugged Board Mount

MK, ML

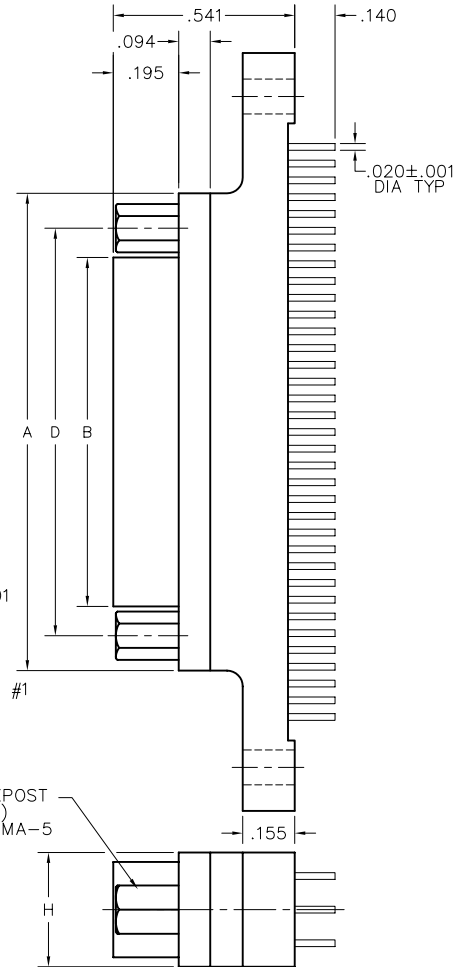
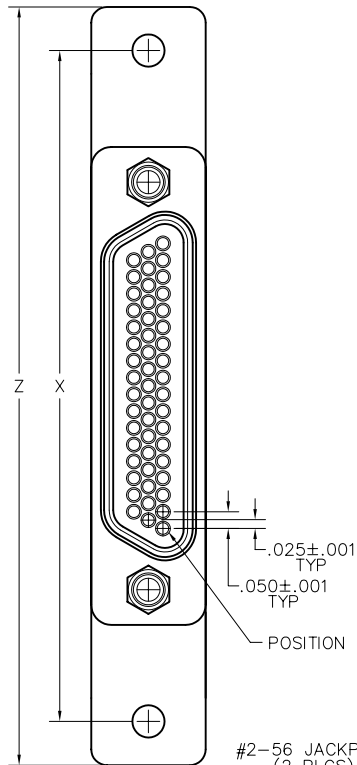
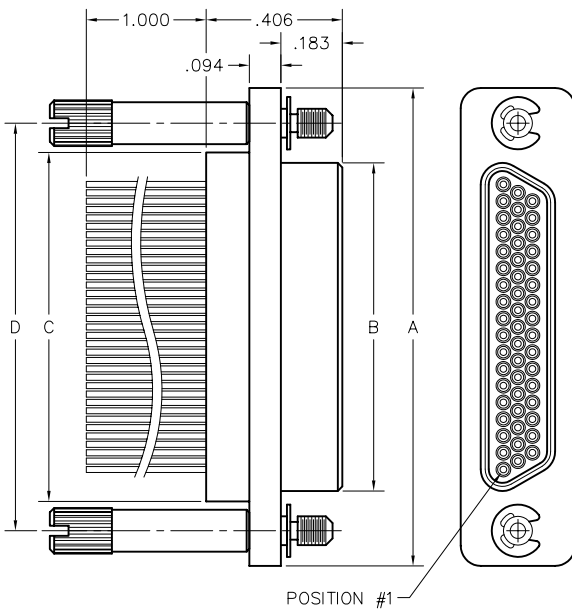
MM-312-051-153-4400
(METAL)

MN-311-051-153-4400
(PLASTIC)



MK-322-051-235-2200
(METAL)

ML-321-051-235-2200
(PLASTIC)



PLUG

RECEPTACLE

| SIZE | CONTACT ROWS | DIMENSIONS | | | | | | | | | | HARDWARE | MOUNTING HOLE |
|------|--------------|------------|----------|----------|-------|-------|------|------|-------|-------|----------------------------------|--|---------------|
| | | A | B | | C | D | E | H | X | Z | | | |
| | | | PLUG MAX | RCPT MAX | | | | | | | POTTING WELL MAX | | |
| 9 | 2 | .775 | .334 | .400 | .390 | .565 | .270 | .298 | 1.150 | 1.390 | #2-56 UNC THD (.092 DIA THRU) | .096 DIA OR #2-56 UNC THREADED INSERT | |
| 15 | | .925 | .484 | .550 | .540 | .715 | | | | | | | |
| 21 | | 1.075 | .634 | .700 | .690 | .865 | | | | | | | |
| 25 | | 1.175 | .734 | .800 | .790 | .965 | | | | | | | |
| 31 | | 1.325 | .884 | .950 | .940 | 1.115 | | | | | | | |
| 37 | | 1.475 | 1.034 | 1.100 | 1.090 | 1.265 | | | 2.100 | 2.340 | | | |
| 51 | 3 | 1.425 | .984 | 1.050 | 1.040 | 1.215 | .310 | .341 | 2.000 | 2.270 | | | |
| 100 | 4 | 2.160 | 1.384 | 1.508 | 1.432 | 1.800 | .360 | .384 | 2.800 | 3.240 | #4-40 UNC THD (.147 DIA THRU) | .125 DIA OR #2-56 UNC THREADED INSERT | |

PLUG: MM-312-051-153-4400

RECEPTACLE: MK-322-051-235-2200

PLUG: MN-311-051-153-4400

RECEPTACLE: ML-321-051-235-2200

XX-XXX-XXX-XXX-XXXX-XXX

PLUG

RECEPTACLE

| SERIES | |
|--|--|
| MM .050" Rugged Metal I/O Connector | MK .050" Rugged Metal PC Board Mount Connector |
| MN .050" Rugged Plastic I/O Connector | ML .050" Rugged Plastic PC Board Mount Connector |
| (MM & MN mate with MK, ML, MM, MN receptacles) | |
| (MK & ML mate with MK, ML, MM, MN plugs) | |

| BODY | |
|---------------------------|---------------------------|
| 2 2-Row (Sizes 9 thru 37) | 2 2-Row (Sizes 9 thru 37) |
| 3 3-Row (Size 51) | 3 3-Row (Size 51) |
| 4 4-Row (Size 100) | 4 4-Row (Size 100) |

| BODY STYLE: | |
|-----------------------------|--|
| 1 Plug, straight, with ears | 2 Receptacle, straight, narrow footprint, w/ mtg holes |

| BODY MATERIAL: | |
|---|---|
| 1 Polyphenylene Sulfide (MN only) | 1 Polyphenylene Sulfide (ML only) |
| 2 Polyphenylene Sulfide with electroless nickel shell | 2 Polyphenylene Sulfide with electroless nickel shell |
| 3 Polyphenylene Sulfide with electrodeposited cadmium shell <input checked="" type="checkbox"/> | 3 Polyphenylene Sulfide with electrodeposited cadmium shell <input checked="" type="checkbox"/> |
| 4 Polyphenylene Sulfide with hard anodized black shell | 4 Polyphenylene Sulfide with hard anodized black shell |
| 5 Polyphenylene Sulfide with stainless steel shell | 5 Polyphenylene Sulfide with stainless steel shell |

| SIZE | |
|--|--|
| XXX 009, 015, 021, 025, 031, 037, 051, 100 | XXX 009, 015, 021, 025, 031, 037, 051, 100 |

| CONTACTS | |
|--|---------------------------------------|
| TYPE CONTACTS/TERMINATIONS: | TYPE CONTACTS/TERMINATIONS: |
| 11 Pin, straight, solder cup | 22 Socket, straight, PCB leads, .109" |
| 14 Pin, straight, .500" pigtails (.018 dia) | 23 Socket, straight, PCB leads, .140" |
| 15 Pin, straight, 1.000" pigtails (.018 dia) | 24 Socket, straight, PCB leads, .172" |
| 16 Pin, straight, crimped wire | |

| PLATING OPTIONS: | |
|---|---|
| 1 50 μ" Au contacts (crimp wire) | 3 50 μ" Au contacts: 10 μ" Au terminations |
| 3 50 μ" Au contacts: 10 μ" Au terminations (solder cup, pigtail) | 5 50 μ" Au contacts; Sn/Pb alloy terminations <input checked="" type="checkbox"/> |
| 5 50 μ" Au contacts; Sn/Pb alloy terminations (pigtail) <input checked="" type="checkbox"/> | 7 50 μ" Au contacts; SAC305 terminations |
| 7 50 μ" Au contacts; SAC305 terminations (pigtail) | |

| HARDWARE | |
|---|---|
| STYLE OF HARDWARE: | STYLE OF HARDWARE: |
| 00 None | 00 None |
| 22 Two fixed jacknut assemblies (62*) | 22 Two fixed jacknut assemblies (62*) |
| 41 Two turning jackscrews, allen head, retaining ring (81*) | 99 Keying hardware, see options below (Body material 2, 3 and 4 only) |
| Two long turning jackscrews, allen head, retaining ring (82*) | |
| 43 Two turning jackscrews, slot head, retaining ring (83*) | |
| 44 Two long turning jackscrews, slot head, retaining ring (84*) | |
| 45 Two turning jackscrews, allen head, captivated** (85*) | |
| 99 Keying hardware, see options below (Body material 2, 3 and 4 only) | |

| POLARIZATION / WIRING: | |
|---|---------|
| 00 None | 00 None |
| XX For wiring codes, see page MA-3 & MA-4 | |

| OPTIONS | |
|---|--|
| KSXX Two turning jackscrews. See page MA-6 for keying options (KJ*) | KPXX Two fixed jacknuts and interfacial sealing gasket. See page MA-6 for keying options (KN*) |
| | 900 Interfacial sealing gasket |
| | 0B7 Threaded inserts and interfacial sealing gasket |

* = Use numbers or letters in parenthesis when ordering size 100.

** = Captive hardware is factory installed and non-removable.

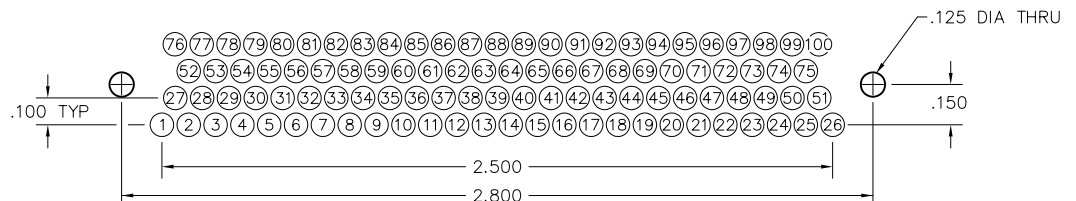
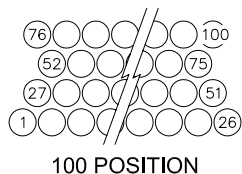
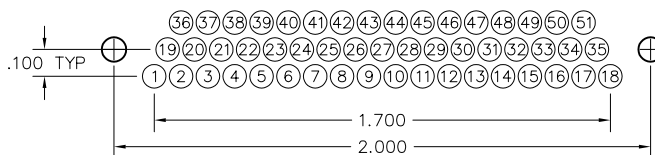
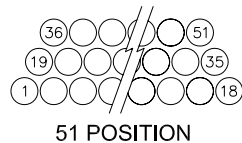
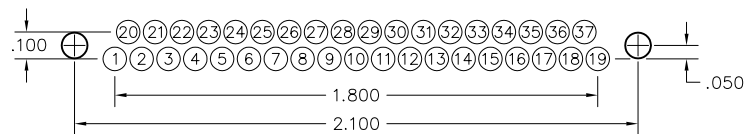
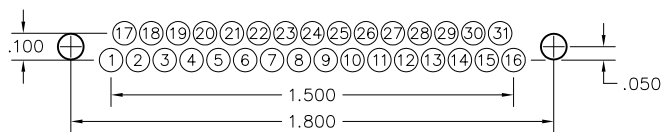
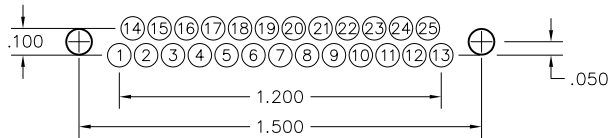
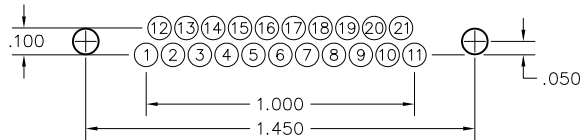
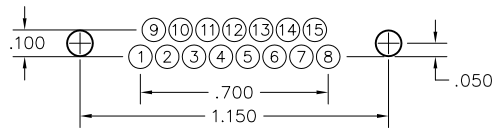
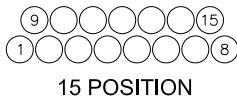
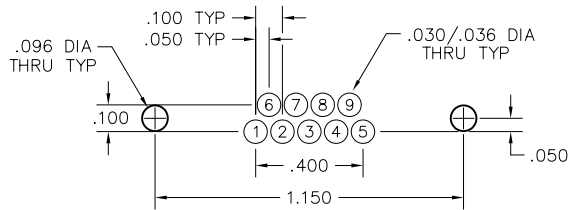
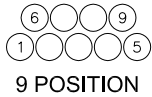
= Option not RoHS compliant

Recommended PC Board Layout

Straight, Narrow Footprint

RECEPTACLE PC BOARD LAYOUT COMPONENT SIDE

CONNECTOR MATING FACE (RECEPTACLE)



Polarized Keying Hardware

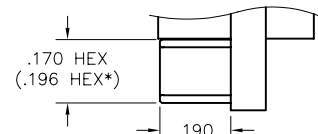
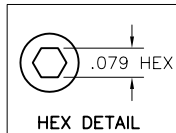
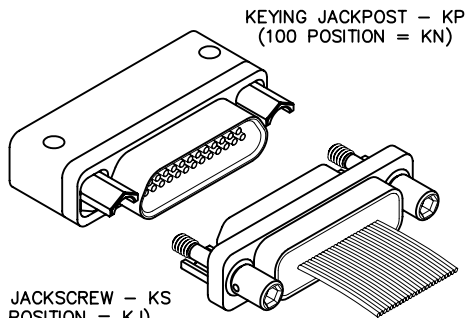


Select the appropriate two digit number above and include as the last two digits of the hardware code in the part number.
(Keying hardware is factory installed and non-removable).

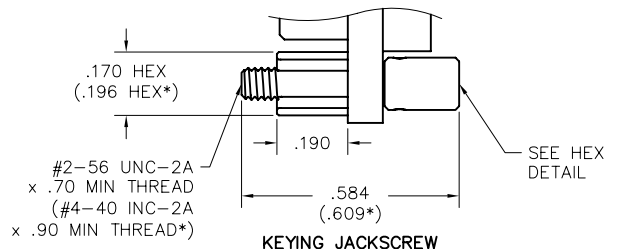
Example:

MM-213-025-161-99WA-KS11

MK-263-025-435-990S-KP11



KEYING JACKPOST



KEYING JACKSCREW

* = Dimensions for 100 position connectors

X-ON Electronics

Largest Supplier of Electrical and Electronic Components

Click to view similar products for [D-Sub MIL Spec Connectors](#) category:

Click to view products by [AirBorn](#) manufacturer:

Other Similar products are found below :

[M85049/50-5F](#) [850-056-0812](#) [1218697-4](#) [1484349-1](#) [17D25HV](#) [1996840-1](#) [243082-15](#) [1757682-1](#) [17D-E51218-1](#) [17SDA15S](#) [1883533-1](#)
[1883886-1](#) [1883889-1](#) [192900-0377](#) [M24308/8-347](#) [M83513/03-E09C](#) [443961-3](#) [5-1218949-1](#) [550-031NF1R6K](#) [3-1236089-2](#)
[550E001NF1R3J0L](#) [550T001NF1R6K0L](#) [557T283NF5B08](#) [DB121073-56](#) [DC121073157](#) [443869-3](#) [443869-4](#) [443869-5](#)
[550S004NF1R1B0F03](#) [557E283NF1A06](#) [527-019NF0303R2K1F](#) [5-446405-1](#) [550-031NF1R2E](#) [550E003M2R9J0F04](#) [550E003M3R9J0F05](#)
[550E024M104R9J0](#) [550E024NF102R3J0B](#) [550E039NF1R3J1-02](#) [550S003M3R9B0F05](#) [550S004M4R7M0F04](#) [550S004NF1R1B1F02](#)
[550S008M3F0K0F04](#) [550S086M5R3J0L](#) [550S100NF3F0E](#) [550T001M2R7E0L](#) [550T001NF1F0B1L](#) [550T001NF1R1K0G](#)
[550T001NF1R3K0G](#) [550T001NF1R4K0L](#) [550T001NF2R2K0L](#)