



# Cable to Board (Standard Footprint)

.050"

9 thru 100 Contacts

Rugged Cable

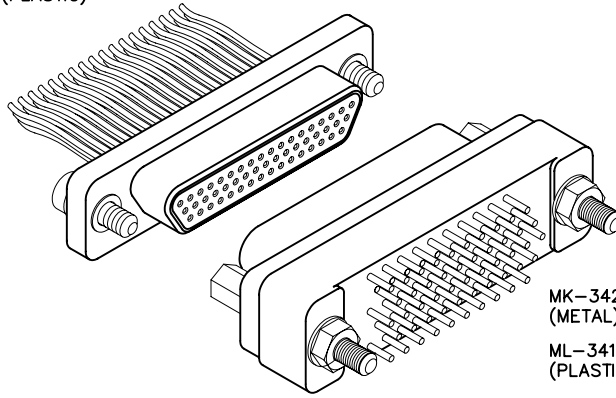
**MM, MN**

Rugged Board Mount

**MK, ML**

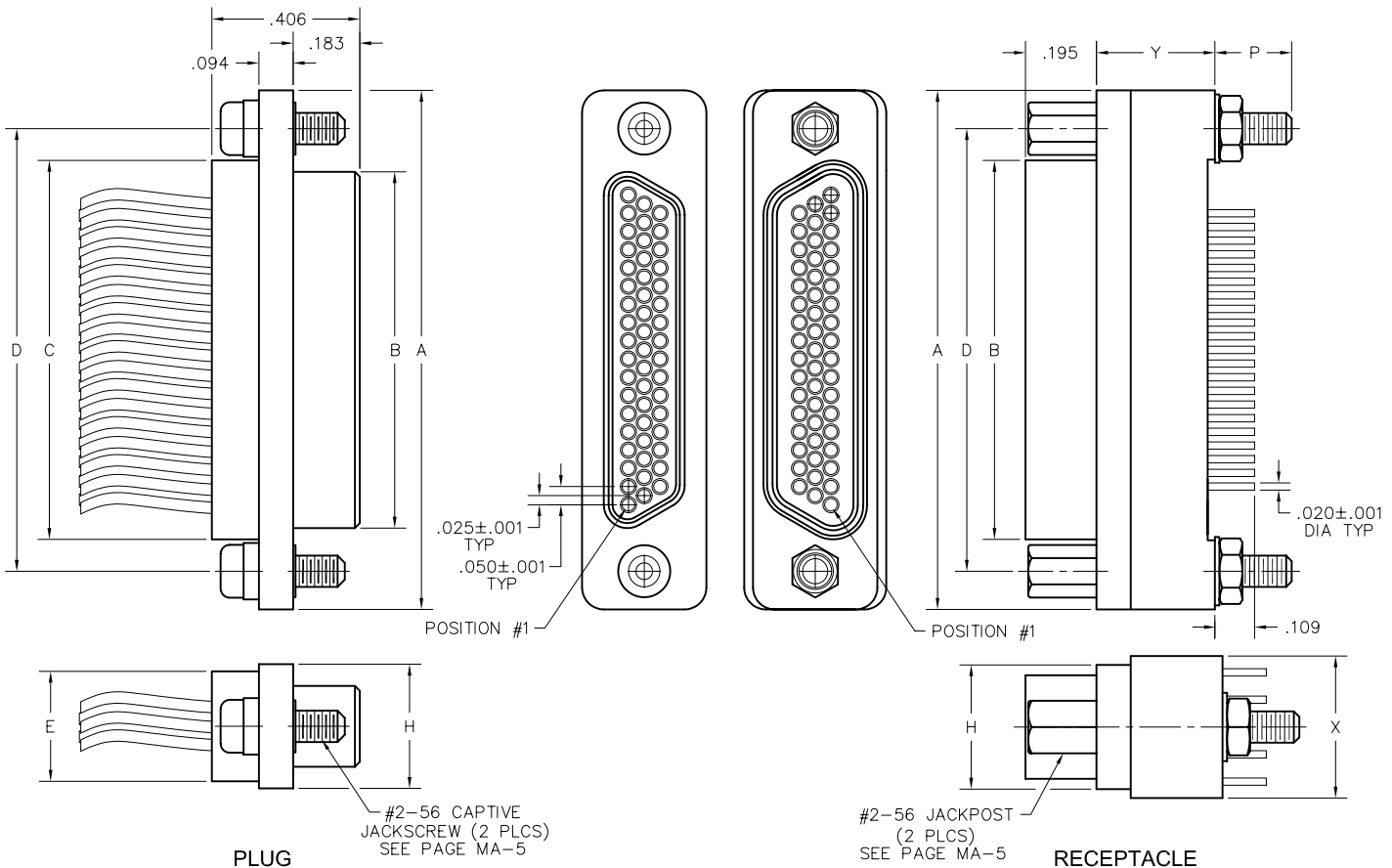
MM-312-051-161-45WP  
(METAL)

MN-311-051-161-45WP  
(PLASTIC)



MK-342-051-225-2200  
(METAL)

ML-341-051-225-2200  
(PLASTIC)



PLUG

RECEPTACLE

SIZE	CONTACT ROWS	DIMENSIONS										HARDWARE
		A	B		C	D	E POTTING WELL MAX	H	P	X	Y	
			PLUG MAX	RCPT MAX								
9	2	.775	.334	.400	.390	.565	.270	.298	.210	.298	.280	#2-56 UNC THD (.092 DIA THRU OR #2-56 UNC THREADED INSERT)
15		.925	.484	.550	.540	.715						
21		1.075	.634	.700	.690	.865						
25		1.175	.734	.800	.790	.965						
31		1.325	.884	.950	.940	1.115						
37	1.475	1.034	1.100	1.090	1.265	.214	.330**					
51	3	1.425	.984	1.050	1.040	1.215	.310	.341	.219	.390	.325	
69		1.725	1.284	1.350	1.340	1.515						
100		2.160	1.384	1.508	1.432	1.800						

\* = 69 POSITION CONNECTORS ARE AVAILABLE IN METAL ONLY.  
\*\* = 37 POSITION WITH TURNING HARDWARE "Y" DIMENSION IS .280.

Call (972) 931-3200 · Fax (972) 931-9305 · [www.AirBorn.com](http://www.AirBorn.com)

**PLUG:** MM-312-051-161-45WP  
**RECEPTACLE:** MK-342-051-225-2200  
**PLUG:** MN-311-051-161-45WP  
**RECEPTACLE:** ML-341-051-225-2200  
 XX-XXX-XXX-XXX-XXXX-XXX

**PLUG**

**RECEPTACLE**

**SERIES**

MM .050" Rugged Metal I/O Connector MN .050" Rugged Plastic I/O Connector (MM & MN mate with MK, ML, MM, MN receptacles)	MK .050" Rugged Metal PC Board Mount Connector ML .050" Rugged Plastic PC Board Mount Connector (MK & ML mate with MK, ML, MM, MN plugs)
--	--

**BODY**

2 2-Row (Sizes 9 thru 37) 3 3-Row (Size 51 & 69***) 4 4-Row (Size 100)  <b>BODY STYLE:</b> 1 Plug, straight, with ears  <b>BODY MATERIAL:</b> 1 Polyphenylene Sulfide (MN only) 2 Polyphenylene Sulfide with electroless nickel shell 3 Polyphenylene Sulfide with electrodeposited cadmium shell <input checked="" type="checkbox"/> 4 Polyphenylene Sulfide with hard anodized black shell 5 Polyphenylene Sulfide with stainless steel shell	2 2-Row (Sizes 9 thru 37) 3 3-Row (Size 51 & 69***) 4 4-Row (Size 100)  <b>BODY STYLE:</b> 4 Receptacle, straight, standard footprint  <b>BODY MATERIAL:</b> 1 Polyphenylene Sulfide (ML only) 2 Polyphenylene Sulfide with electroless nickel shell 3 Polyphenylene Sulfide with electrodeposited cadmium shell <input checked="" type="checkbox"/> 4 Polyphenylene Sulfide with hard anodized black shell 5 Polyphenylene Sulfide with stainless steel shell
---	--

**SIZE**

XXX 009, 015, 021, 025, 031, 037, 051, 069***, 100	XXX 009, 015, 021, 025, 031, 037, 051, 069***, 100
--	--

**CONTACTS**

<b>TYPE CONTACTS/TERMINATIONS:</b> 11 Pin, straight, solder cup 14 Pin, straight, .500" pigtails (.018 dia) 15 Pin, straight, 1.000" pigtails (.018 dia) 16 Pin, straight, crimped wire  <b>PLATING OPTIONS:</b> 1 50 μ" Au contacts (crimp wire) 3 50 μ" Au contacts; 10 μ" Au terminations (solder cup, pigtail) 5 50 μ" Au contacts; Sn/Pb alloy terminations (pigtail) <input checked="" type="checkbox"/> 7 50 μ" Au contacts; SAC305 terminations (pigtail)	<b>TYPE CONTACTS/TERMINATIONS:</b> 22 Socket, straight, PCB leads, .109" 23 Socket, straight, PCB leads, .140" 24 Socket, straight, PCB leads, .172"  <b>PLATING OPTIONS:</b> 3 50 μ" Au contacts; 10 μ" Au terminations 5 50 μ" Au contacts; Sn/Pb alloy terminations <input checked="" type="checkbox"/> 7 50 μ" Au contacts; SAC305 terminations
---	---

**HARDWARE**

<b>STYLE OF HARDWARE:</b> 00 None 22 Two fixed jacknut assemblies (62*) 41 Two turning jackscrews, allen head, retaining ring (81*) 42 Two long turning jackscrews, allen head, retaining ring (82*) 43 Two turning jackscrews, slot head, retaining ring (83*) 44 Two long turning jackscrews, slot head, retaining ring (84*) 45 Two turning jackscrews, allen head, captivated** (85*) 99 Keying hardware, see options below (Body material 2, 3 and 4 only)  <b>POLARIZATION / WIRING:</b> 00 None XX For wiring codes, see page MA-3 & MA-4	<b>STYLE OF HARDWARE:</b> 00 None 22 Two fixed jacknut assemblies (62*) 41 Two turning jackscrews, allen head, retaining ring**** (81*) 99 Keying hardware, see options below (Body material 2, 3 and 4 only)  <b>POLARIZATION / WIRING</b> 00 None
--	--

**OPTIONS**

KSXX Two turning jackscrews. See page MA-6 for keying options (KJ*)	KPXX Two fixed jacknuts and interfacial sealing gasket. See page MA-6 for keying options (KN*) 900 Interfacial sealing gasket 0B7 Threaded inserts and interfacial sealing gasket
---	---

\* = Use numbers or letters in parenthesis when ordering size 100.      \*\*\* = 69 position connectors are available in metal only.  
 \*\* = Captive hardware is factory installed and non-removable.      \*\*\*\* = Connector body has no mounting holes.  
 = Option not RoHS compliant

## X-ON Electronics

Largest Supplier of Electrical and Electronic Components

*Click to view similar products for [D-Sub MIL Spec Connectors](#) category:*

*Click to view products by [AirBorn](#) manufacturer:*

Other Similar products are found below :

[M85049/50-5F](#) [MDM-9SH006A](#) [850-056-0812](#) [1218697-4](#) [D38999/26WJ61PC L/C](#) [1484349-1](#) [17D25HV](#) [1996840-1](#) [243082-15](#) [1757682-1](#)  
[17D-E51218-1](#) [17SDA15S](#) [1883533-1](#) [1883886-1](#) [1883889-1](#) [192900-0377](#) [M24308/8-347](#) [M83513/03-E09C](#) [443961-3](#) [5-1218949-1](#) [550-](#)  
[031NF1R6K](#) [3-1236089-2](#) [550E001NF1R3J0L](#) [550T001NF1R6K0L](#) [557T283NF5B08](#) [DC121073157](#) [443869-3](#) [443869-4](#) [443869-5](#)  
[550S004NF1R1B0F03](#) [557E283NF1A06](#) [527-019NF0303R2K1F](#) [5-446405-1](#) [550-031NF1R2E](#) [550E003M2R9J0F04](#) [550E003M3R9J0F05](#)  
[550E024M104R9J0](#) [550E024NF102R3J0B](#) [550E039NF1R3J1-02](#) [550S003M3R9B0F05](#) [550S004M4R7M0F04](#) [550S004NF1R1B1F02](#)  
[550S008M3F0K0F04](#) [550S086M5R3J0L](#) [550S100NF3F0E](#) [550T001M2R7E0L](#) [550T001NF1F0B1L](#) [550T001NF1R1K0G](#)  
[550T001NF1R3K0G](#) [550T001NF1R4K0L](#)