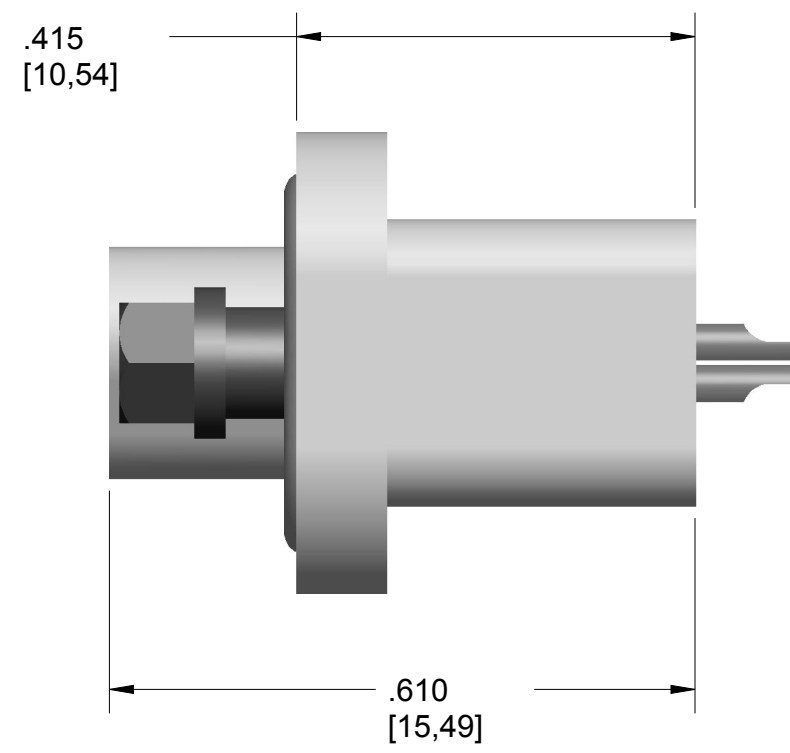
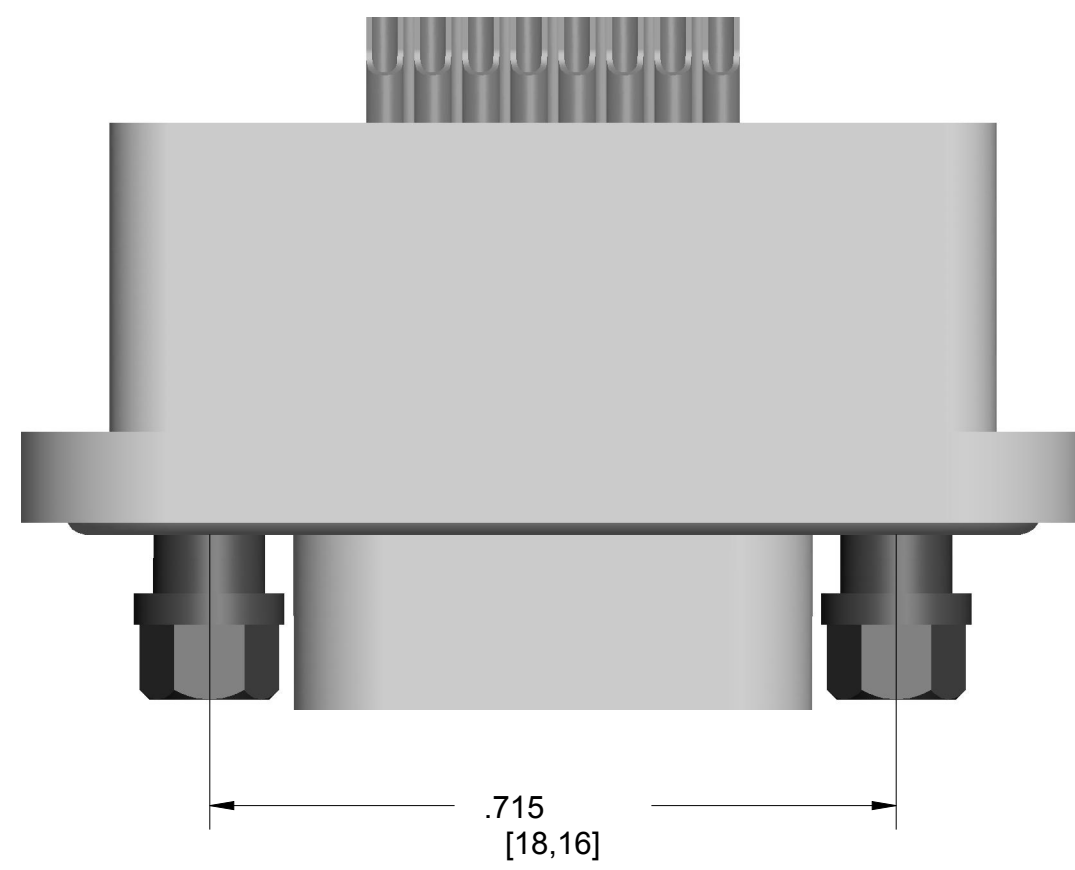
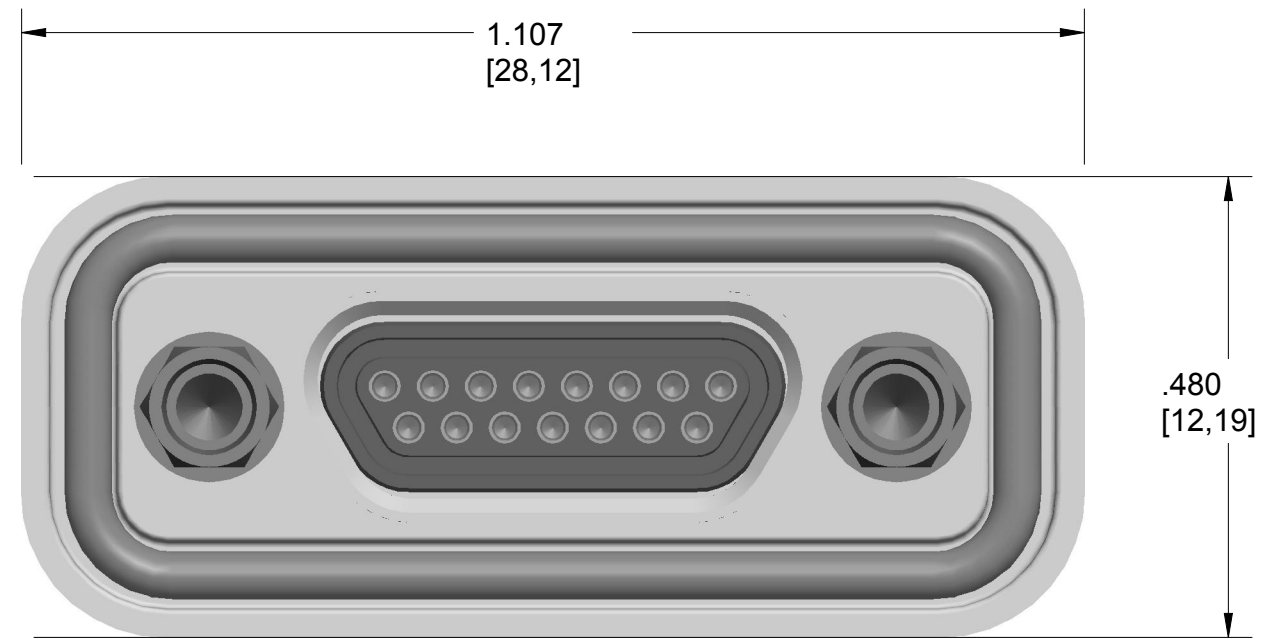


MM-2L2-015-213-2900									
SERIES		ROWS	BODY STYLE	BODY MAT'L	SIZE (CONTACTS)	CONTACT TYPE	CONTACT PLATING	HDW/ POLARIZATION	OPTIONS
P/N	MM	2	L	2	015	21	3	29/00	
DESC	MM	*	**	***	****	*****	*****	*****	*****
http://www.airborn.com/products/connectors/m-series									

*	ROWS OF CONTACTS
**	RCPT, STRT, RR PNL MNT W/ INTFCL SEAL, SEAL TO 30psi PRESS DIFF
***	POLYPHENYLENE SULFIDE WITH ELECTROLESS NICKEL SHELL
****	TOTAL NUMBER OF CONTACTS: 15
*****	SOCKET, STRAIGHT, SOLDER CUP
*****	GOLD-PLATED, SnPb (not RoHS)
*****	TWO FIXED JKNUTS, RR PNL MNT, PNL .080" THK, WIRES:SAE AS22759/11-26, LN:WIRE_LENGTH"
*****	NO OPTIONS SELECTED



MATERIALS and PERFORMANCE

Insulation Resistance.....	5,000 megohms minimum @ 500 VDC
Socket Contact	Brass per ASTM B453 or ASTM B16 / B16M, uninsulated/solid wire tails: Brass per ASTM B16/B16M OR ASTM B453
Pin Contacts	Pins: BeCu alloy strip per ASTM B194
Contact Finish.....	Gold plate per ASTM B488
Test Voltage.....	600V, RMS, 60Hz
Shells.....	Aluminum alloy 6061-T6 per SAE AMS-QQ-A-250/1 or 6061-T6511 per SAE AMS-QQ-A-200/8
Shell Finishes.....	Electroless Nickel per SAE AMS2404, Class 3, 500u" min Electrodeposited Cadmium per SAE AMS-QQ-P-416, Type II, Class 3 Black Anodized per MIL-A-8625, Type III, Class 2
Molded Insulators.....	Glass filled polyphenylene sulfide per MIL-M-24519
Embedment.....	Frey Eng. Co. compound CF3003-80 & L-II-49 or equivalent
Hardware.....	Corrosion resistant steel per ASTM A320 or ASTM A484 / A484M and ASTM A582 / A582M Passivated per SAE AMS2700
Interfacial Seal Gaskets.....	Fluorosilicone
Contact Rating	3 amperes maximum
Operating Temperature	-55° C to +125° C
Insulation Resistance	5,000 megaohms minimum @ 500 VDC
Salt Spray.....	Mated connectors tested in accordance with EIA-364-26, Test Condition B, according to M83513
Humidity.....	Mated connectors tested in accordance with EIA364-31, Method IV (except steps 7a and 7b)
Thermal Shock.....	Tested to the temperature extremes of EIA-365-32, Method A, Test Condition I (except step 3, temperature shall be 100° C)
Contact Separating Force.....	0.5 ounces minimum/contact
Contact Engaging Force	6.0 ounces maximum/contact

X-ON Electronics

Largest Supplier of Electrical and Electronic Components

Click to view similar products for [D-Sub MIL Spec Connectors](#) category:

Click to view products by [AirBorn](#) manufacturer:

Other Similar products are found below :

[M85049/50-5F](#) [850-056-0812](#) [1218697-4](#) [1484349-1](#) [17D25HV](#) [1996840-1](#) [243082-15](#) [1757682-1](#) [17D-E51218-1](#) [17SDA15S](#) [1883533-1](#)
[1883886-1](#) [1883889-1](#) [192900-0377](#) [M24308/8-347](#) [M83513/03-E09C](#) [443961-3](#) [5-1218949-1](#) [550-031NF1R6K](#) [3-1236089-2](#)
[550E001NF1R3J0L](#) [550T001NF1R6K0L](#) [557T283NF5B08](#) [DB121073-56](#) [DC121073157](#) [443869-3](#) [443869-4](#) [443869-5](#)
[550S004NF1R1B0F03](#) [557E283NF1A06](#) [527-019NF0303R2K1F](#) [5-446405-1](#) [550-031NF1R2E](#) [550E003M2R9J0F04](#) [550E003M3R9J0F05](#)
[550E024M104R9J0](#) [550E024NF102R3J0B](#) [550E039NF1R3J1-02](#) [550S003M3R9B0F05](#) [550S004M4R7M0F04](#) [550S004NF1R1B1F02](#)
[550S008M3F0K0F04](#) [550S086M5R3J0L](#) [550S100NF3F0E](#) [550T001M2R7E0L](#) [550T001NF1F0B1L](#) [550T001NF1R1K0G](#)
[550T001NF1R3K0G](#) [550T001NF1R4K0L](#) [550T001NF2R2K0L](#)