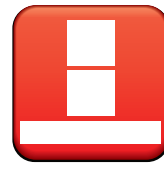
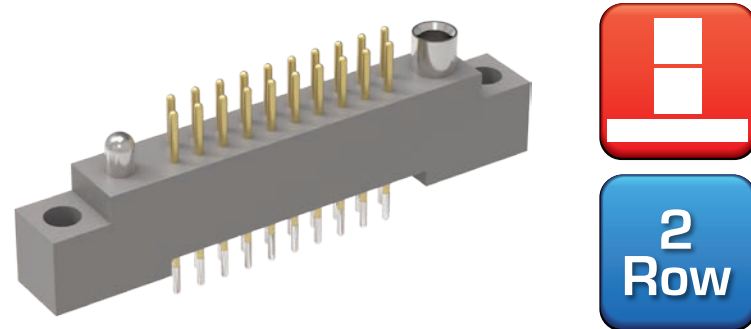


## R Series High-Density 0.075" (1.905mm)



### RM – Two-Row, Straight, Board-Mount Plug

Contact Spacing: 0.075" (1.91 mm)

R-Series products are high-density, plastic connectors commonly used in board-to-board applications. Approved to MIL-55302 standard.

#### Sample Part Number Format: RM212-020-102-5500

<b>RM</b>	<b>2</b>		<b>2</b>					
<b>SERIES</b> 0.075" Plastic Rectangular Connector (Plug)	<b>ROWS</b> 2 – 2-Row (10-100 contacts)	<b>STYLE</b> 1 – Plug, straight with mounting ears 3 – Plug, straight without mounting ears	<b>BODY MATERIAL</b> 2 – Polyphenylene sulfide (PPS)	<b>SIZE</b> 010 – 10 contacts 020 – 20 contacts 030 – 30 contacts 040 – 40 contacts 050 – 50 contacts 060 – 60 contacts 070 – 70 contacts 080 – 80 contacts 090 – 90 contacts 100 – 100 contacts	<b>TERMINATION</b> 10 – Plated thru-hole, 0.109" x 0.020" Ø 12 – Plated thru-hole, 0.140" x 0.020" Ø 13 – Plated thru-hole, 0.172" x 0.020" Ø 14 – Plated thru-hole, 0.250" x 0.020" Ø	<b>PLATING</b> 1 – Gold 2 – Pre-tinned, SnPb alloy (Plated thru-hole options, only) 3 – Pre-tinned, SAC305 alloy (Plated thru-hole options, only)	<b>HARDWARE</b> 0256 – None 55 – Guide set 57 – Two guide pins 58 – Two guide sockets 29 – Fixed jackset 30 – Fixed jackset, reversed 19 – Two fixed jackscrews 20 – Two fixed jackscrews 59 – Hex turning jackset, 0.200" 60 – Hex turning jackset reversed, 0.200" 61 – Two hex turning jackscrews, 0.200" 62 – Two hex turning jackscrews, 0.200" 64 – Turning jackset, 0.490"	<b>POLARIZATION</b> 00 – None XX – See page 140 for codes 70 – Same as above, but without Loctite® (customer-keyed)

**Notes:**  
‡ Not RoHS-compliant

PLEASE CONSULT THE AIRBORN WEBSITE FOR THE LATEST REVISION OF THIS DOCUMENT PRIOR TO BEGINNING ANY DESIGN WORK.

#### Mates with

- RM222 & RM242 — Two-row, straight receptacle
- RM262 & RM282 — Two-row, right-angle receptacle
- RM2 — Two-row, I/O receptacle
- RA2 — Two-row, I/O receptacle

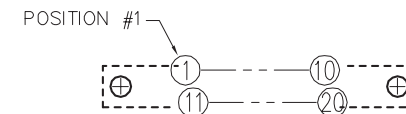
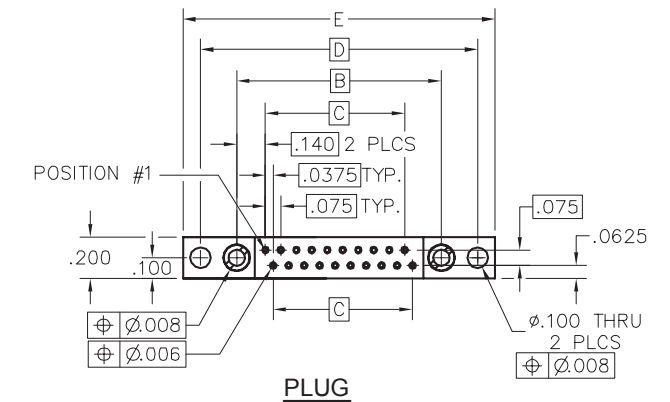
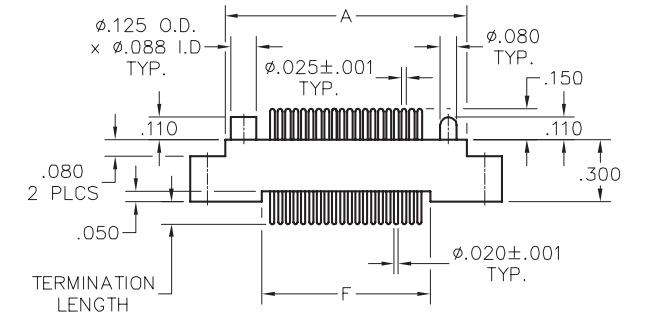
#### Terminations



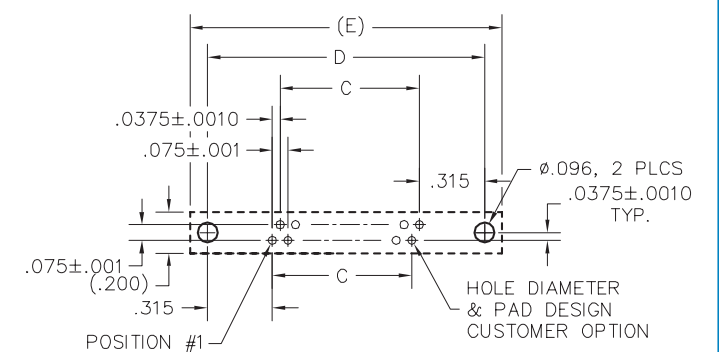
### RM – Two-Row, Straight, Board-Mount Plug

Plastic ▪ 2-Row ▪ 10-100 Contacts

DIMENSIONS						
SIZE	A	B	C	D	E	F
10	.797	.617	.300	.967	1.137	.442
20	1.172	.992	.675	1.342	1.512	.817
30	1.547	1.367	1.050	1.717	1.887	1.192
40	1.922	1.742	1.425	2.092	2.262	1.567
50	2.297	2.117	1.800	2.467	2.637	1.942
60	2.672	2.492	2.175	2.842	3.012	2.317
70	3.047	2.867	2.550	3.217	3.387	2.692
80	3.422	3.242	2.925	3.592	3.762	3.067
90	3.797	3.617	3.300	3.967	4.137	3.442
100	4.172	3.992	3.675	4.342	4.512	3.817



PIN IDENTIFICATION PATTERN  
VIEWED FROM TERMINATION SIDE  
(EXAMPLE: 20 POSITION CONNECTOR)



PCB LAYOUT VIEWED  
FROM COMPONENT SIDE

PLEASE CONSULT THE AIRBORN WEBSITE FOR THE LATEST REVISION OF THIS DOCUMENT PRIOR TO BEGINNING ANY DESIGN WORK.

## X-ON Electronics

Largest Supplier of Electrical and Electronic Components

*Click to view similar products for [Rectangular MIL Spec Connectors](#) category:*

*Click to view products by [AirBorn](#) manufacturer:*

Other Similar products are found below :

[891-011-15SA2-BSST](#) [CTS-S16/16](#) [65002-062](#) [CY4602-000](#) [732-8020-01](#) [77058-22-55PN](#) [81542-20](#) [86.030.0053.0](#) [1241346-1](#) [RM252-020-311-2900](#) [DMC-M 08-16 SA](#) [1589051-4](#) [MSO34MPK1E1](#) [BACC65CAMA](#) [BACC65CP1PN](#) [BACI10BC0816PNBA](#) [HSB-D4S03DM222X](#) [2217548-1](#) [891-006-9PS-BST1T](#) [891-009-15SA2-BRT1T](#) [27963-20T12](#) [SIM2N40NC3](#) [SIM2S100A](#) [1604996-2](#) [SMD25PN90L-4055](#) [1900ND08S1B00A](#) [22628-10-6P-791](#) [RE04-212S](#) [M32139/03-G05SN](#) [CTD160E01F-6148](#) [CTJ112E03B](#) [CTJ122E02D-8000](#) [CTJ-3D-12](#) [CTJ920E06N-513](#) [CTJ920E12N-513](#) [CTL-16-090](#) [RM300-000-581-0000](#) [CY4600-000](#) [CY4601-000](#) [38111-14-15SN](#) [38112-14-15PN](#) [MMA23-0111R1](#) [MMD25-0071P1](#) [33516062020](#) [33526M11-08PE](#) [DMC-M99-01AN](#) [Y59113WE20PNV00300](#) [ZPF000000000106310](#) [105979-31](#) [EN4165M01AD0G0](#)