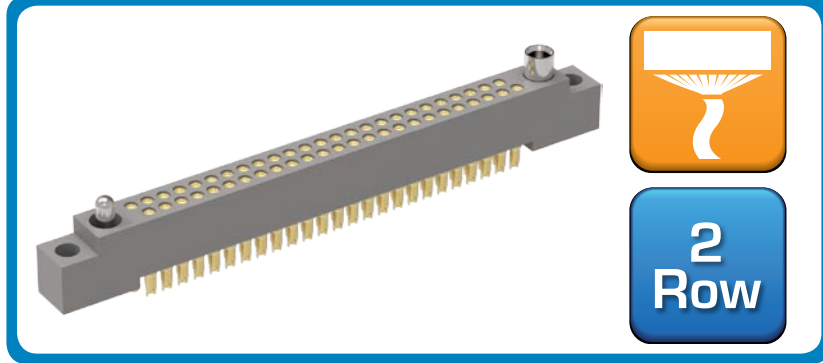


R Series

High-Density
0.075"
(1.905mm)



RM – Two-Row, I/O Receptacle

Contact Spacing: 0.075" (1.91 mm)
R-Series rugged & reliable I/O connectors are available with crimp-removable, solder-cup or single-layer flex termination options.

Sample Part Number Format: RM222-100-241-5500

RM	2		2			1		
SERIES 0.075" Plastic Rectangular Connector (Receptacle)	ROWS 2 – 2-Row (10-100 contacts)	STYLE 2 – Receptacle, straight with mounting ears 4 – Receptacle, straight without mounting ears	BODY MATERIAL 2 – Polyphenylene sulfide (PPS)	SIZE 010 – 10 contacts 020 – 20 contacts 030 – 30 contacts 040 – 40 contacts 050 – 50 contacts 060 – 60 contacts 070 – 70 contacts 080 – 80 contacts 090 – 90 contacts 100 – 100 contacts	TERMINATION 24 – Solder cup 25 – Flex circuit, 0.093" x 0.017" Ø *	PLATING 1 – Gold	HARDWARE 0256 – None 55 – Guide set 57 – Two guide pins 58 – Two guide sockets 29 – Fixed jackset 30 – Fixed jackset, reversed 19 – Two fixed jackscrews 20 – Two fixed jackscrews 59 – Hex turning jackset, 0.200" 60 – Hex turning jackset reversed, 0.200" 61 – Two hex turning jackscrews, 0.200" 62 – Two hex turning jackscrews, 0.200" 64 – Turning jackset, 0.490"	POLARIZATION 00 – None XX – See page 140 for codes 70 – Same as above, but without Loctite® (customer-keyed)

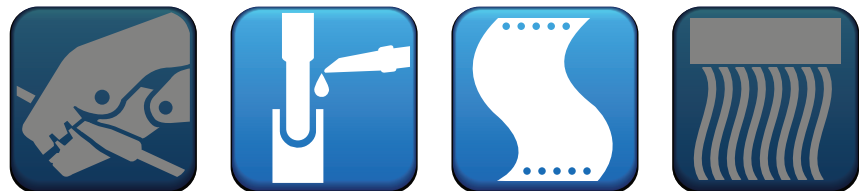
Notes:
‡ Not RoHS-compliant
* Pre-tin is not available with flex circuit termination.

PLEASE CONSULT THE AIRBORN WEBSITE FOR THE LATEST REVISION OF THIS DOCUMENT PRIOR TO BEGINNING ANY DESIGN WORK.

Mates with

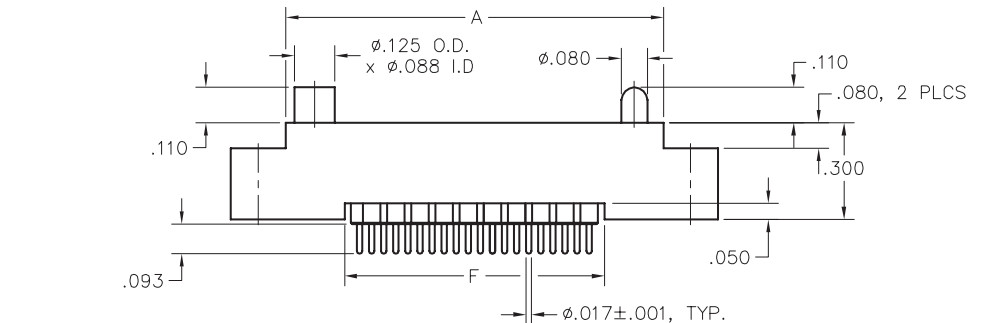
- RM212 & RM232 — Two-row, straight plug
- RM252 & RM272 — Two-row, right-angle plug
- RM212 & RM232 — Two-row, I/O plug

Terminations

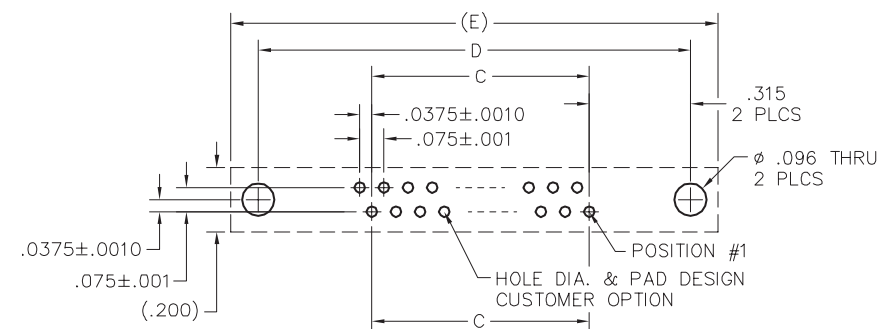
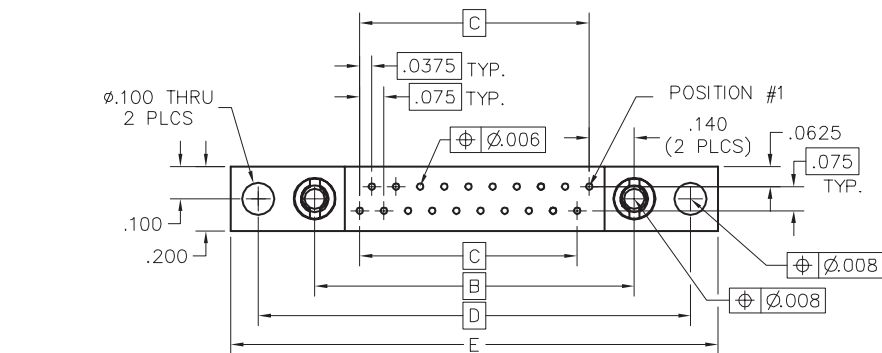


RM – Two-Row, I/O Receptacle

Plastic ▪ 2-Row ▪ 10-100 Contacts

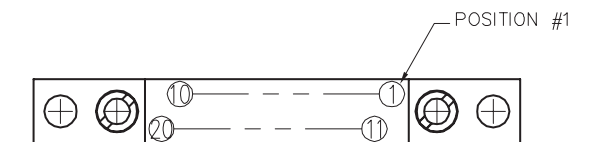


RECEPTACLE



PC BOARD VIEWED FROM COMPONENT SIDE

SIZE	DIMENSIONS					
	A	B	C	D	E	F
10	.797	.617	.300	.967	1.137	.432
20	1.172	.992	.675	1.342	1.512	.807
30	1.547	1.367	1.050	1.717	1.887	1.182
40	1.922	1.742	1.425	2.092	2.262	1.557
50	2.297	2.117	1.800	2.467	2.637	1.932
60	2.672	2.492	2.175	2.842	3.012	2.307
70	3.047	2.867	2.550	3.217	3.387	2.682
80	3.422	3.242	2.925	3.592	3.762	3.057
90	3.797	3.617	3.300	3.967	4.137	3.432
100	4.172	3.992	3.675	4.342	4.512	3.807



PIN IDENTIFICATION PATTERN
VIEWED FROM TERMINATION SIDE
(EXAMPLE: 20 POSITION CONNECTOR)

PLEASE CONSULT THE AIRBORN WEBSITE FOR THE LATEST REVISION OF THIS DOCUMENT PRIOR TO BEGINNING ANY DESIGN WORK.

X-ON Electronics

Largest Supplier of Electrical and Electronic Components

Click to view similar products for [Rectangular MIL Spec Connectors](#) category:

Click to view products by [AirBorn](#) manufacturer:

Other Similar products are found below :

[M32139/03-B06ST](#) [65002-062](#) [CY4602-000](#) [77058-22-55PN](#) [86.030.0053.0](#) [GMCT26M0E100JC](#) [1241346-1](#) [MSO34MPK1E1](#)
[BACC65CAMA](#) [HSB-D4S03DM222X](#) [2217548-1](#) [890-009-31SA2-BRT1T](#) [27963-20T12](#) [SIM2N40NC3](#) [SIM2S100A](#) [1604996-2](#)
[SMD25PN90L-4055](#) [22628-10-6P-791](#) [GMCT66F0T0000](#) [M32139/03-G05SN](#) [CTD160E01F-6148](#) [CTJ112E03B](#) [CTJ122E02D-8000](#) [CTJ-](#)
[3D-12](#) [CTJ920E06N-513](#) [CTL-16-090](#) [CY4600-000](#) [CY4601-000](#) [38111-14-15SN](#) [38112-14-15PN](#) [TMN2N037PC2DM018S](#)
[TMN2N051SC2DM018T](#) [MMA23-0111R1](#) [MMD25-0071P1](#) [33516062020](#) [33526M11-08PE](#) [33526M11-08PN](#) [3355-5869-000](#) [DMC-M99-](#)
[01AN](#) [Y59113WE20PNV00300](#) [ZPF000000000106310](#) [105979-31](#) [MTCPK1PJC02S](#) [SIM2N40NC1](#) [SIM2N40NC2](#) [SIM2S110A](#)
[SIME2022PNR](#) [787-0015-02](#) [TMN2N009SC2DM018T](#) [TMN2N025PC2DM018S](#)