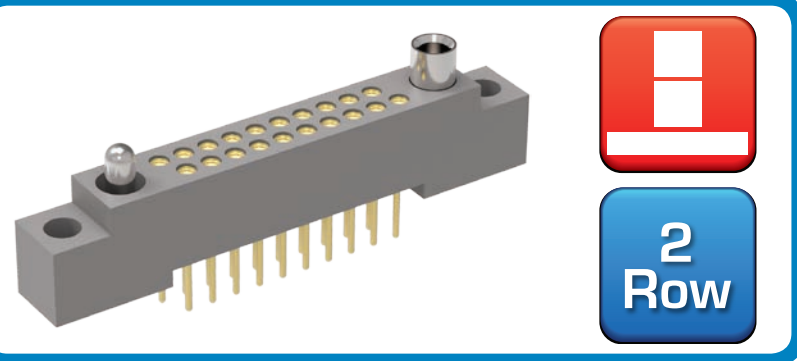


## R Series High-Density 0.075" (1.905mm)



### RM – Two-Row, Straight, Board-Mount Receptacle

Contact Spacing: 0.075" (1.91 mm)

R-Series products are high-density, plastic connectors commonly used in board-to-board applications. Approved to MIL-55302 standard.

#### Sample Part Number Format: RM22-100-212-5500

|  |  |   |   |  |  |   |  |  |
|--|--|---|---|--|--|---|--|--|
| <b>RM</b>  | <b>2</b>                                   |   | <b>2</b>  |  |  |   |  |  |
| <b>SERIES</b><br>0.075" Plastic Rectangular Connector (Receptacle) | <b>ROWS</b><br>2 – 2-Row (10-100 contacts) | <b>STYLE</b><br>2 – Receptacle, straight with mounting ears<br>4 – Receptacle, straight without mounting ears | <b>BODY MATERIAL</b><br>2 – Polyphenylene sulfide (PPS) | <b>SIZE</b><br>010 – 10 contacts<br>020 – 20 contacts<br>030 – 30 contacts<br>040 – 40 contacts<br>050 – 50 contacts<br>060 – 60 contacts<br>070 – 70 contacts<br>080 – 80 contacts<br>090 – 90 contacts<br>100 – 100 contacts | <b>PLATING</b><br>1 – Gold<br>2 – Pre-tinned, SnPb alloy (Plated thru-hole options, only) ‡<br>3 – Pre-tinned, SAC305 alloy (Plated thru-hole options, only) | <b>TERMINATION</b><br>20 – Plated thru-hole, 0.109" x 0.020" Ø<br>21 – Plated thru-hole, 0.140" x 0.020" Ø<br>22 – Plated thru-hole, 0.172" x 0.020" Ø<br>23 – Plated thru-hole, 0.250" x 0.020" Ø<br>50 – Plated thru-hole, 0.140" x 0.016" Ø<br>51 – Plated thru-hole, 0.172" x 0.016" Ø<br>64 – Press-fit, 0.203" (board 0.093 – 0.125" thick)<br>65 – Press-fit, 0.323" (board 0.156 – 0.200" thick)<br>66 – Press-fit, 0.403" (board .250" or thicker) | <b>HARDWARE</b><br>0256 – None<br>55 – Guide set<br>57 – Two guide pins<br>58 – Two guide sockets<br>29 – Fixed jackset<br>30 – Fixed jackset, reversed<br>19 – Two fixed jackscrews<br>20 – Two fixed jackscrews<br>59 – Hex turning jackset, 0.200"<br>60 – Hex turning jackset reversed, 0.200"<br>61 – Two hex turning jackscrews, 0.200"<br>62 – Two hex turning jackscrews, 0.200"<br>64 – Turning jackset, 0.490" | <b>POLARIZATION</b><br>00 – None<br>XX – See page 140 for codes<br>70 – Same as above, but without Loctite® (customer-keyed) |

**Notes:**  
‡ Not RoHS-compliant

PLEASE CONSULT THE AIRBORN WEBSITE FOR THE LATEST REVISION OF THIS DOCUMENT PRIOR TO BEGINNING ANY DESIGN WORK.

#### Mates with

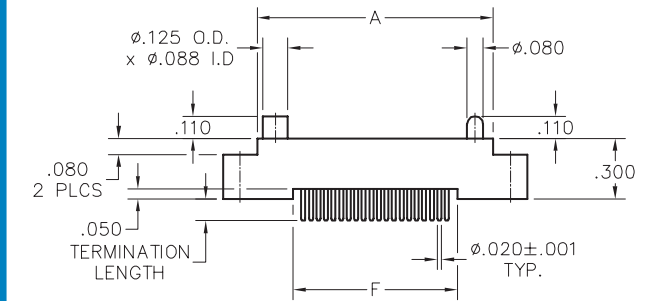
- RM212 & RM232 — Two-row, straight plug
- RM252 & RM272 — Two-row, right-angle plug
- RM2 — Two-row, I/O plug

#### Terminations

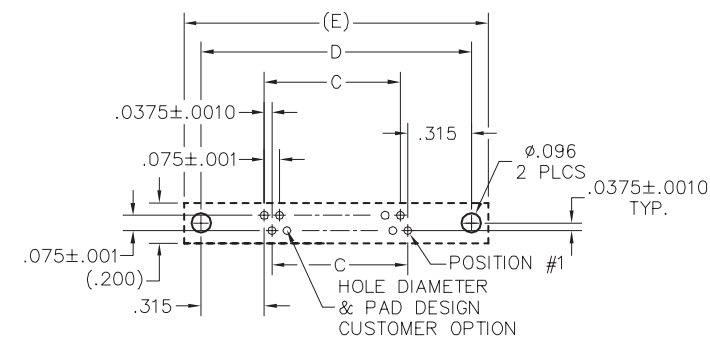
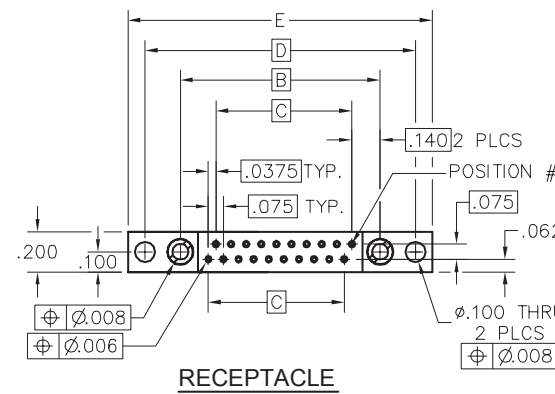


### RM – Two-Row, Straight, Board-Mount Receptacle

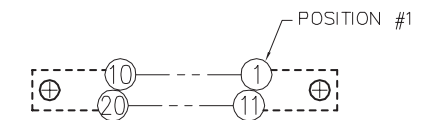
Plastic ▪ 2-Row ▪ 10-100 Contacts



| DIMENSIONS |       |       |       |       |       |       |
|------------|-------|-------|-------|-------|-------|-------|
| SIZE       | A     | B     | C     | D     | E     | F     |
| 10         | .797  | .617  | .300  | .967  | 1.137 | .420  |
| 20         | 1.172 | .992  | .675  | 1.342 | 1.512 | .795  |
| 30         | 1.547 | 1.367 | 1.050 | 1.717 | 1.887 | 1.170 |
| 40         | 1.922 | 1.742 | 1.425 | 2.092 | 2.262 | 1.545 |
| 50         | 2.297 | 2.117 | 1.800 | 2.467 | 2.637 | 1.920 |
| 60         | 2.672 | 2.492 | 2.175 | 2.842 | 3.012 | 2.295 |
| 70         | 3.047 | 2.867 | 2.550 | 3.217 | 3.387 | 2.670 |
| 80         | 3.422 | 3.242 | 2.925 | 3.592 | 3.762 | 3.045 |
| 90         | 3.797 | 3.617 | 3.300 | 3.967 | 4.137 | 3.420 |
| 100        | 4.172 | 3.992 | 3.675 | 4.342 | 4.512 | 3.795 |



PCB LAYOUT VIEWED FROM COMPONENT SIDE



PIN IDENTIFICATION PATTERN VIEWED FROM TERMINATION SIDE (EXAMPLE: 20 POSITION CONNECTOR)

PLEASE CONSULT THE AIRBORN WEBSITE FOR THE LATEST REVISION OF THIS DOCUMENT PRIOR TO BEGINNING ANY DESIGN WORK.

## X-ON Electronics

Largest Supplier of Electrical and Electronic Components

*Click to view similar products for [Rectangular MIL Spec Connectors](#) category:*

*Click to view products by [AirBorn](#) manufacturer:*

Other Similar products are found below :

[891-011-15SA2-BSST](#) [CTS-S16/16](#) [65002-062](#) [CY4602-000](#) [732-8020-01](#) [77058-22-55PN](#) [81542-20](#) [86.030.0053.0](#) [1241346-1](#) [RM252-020-311-2900](#) [DMC-M 08-16 SA](#) [1589051-4](#) [MSO34MPK1E1](#) [BACC65CAMA](#) [BACC65CP1PN](#) [BACI10BC0816PNBA](#) [HSB-D4S03DM222X](#) [2217548-1](#) [891-006-9PS-BST1T](#) [891-009-15SA2-BRT1T](#) [27963-20T12](#) [SIM2N40NC3](#) [SIM2S100A](#) [1604996-2](#) [SMD25PN90L-4055](#) [1900ND08S1B00A](#) [22628-10-6P-791](#) [RE04-212S](#) [M32139/03-G05SN](#) [CTD160E01F-6148](#) [CTJ112E03B](#) [CTJ122E02D-8000](#) [CTJ-3D-12](#) [CTJ920E06N-513](#) [CTJ920E12N-513](#) [CTL-16-090](#) [RM300-000-581-0000](#) [CY4600-000](#) [CY4601-000](#) [38111-14-15SN](#) [38112-14-15PN](#) [MMA23-0111R1](#) [MMD25-0071P1](#) [33516062020](#) [33526M11-08PE](#) [DMC-M99-01AN](#) [Y59113WE20PNV00300](#) [ZPF000000000106310](#) [105979-31](#) [EN4165M01AD0G0](#)