

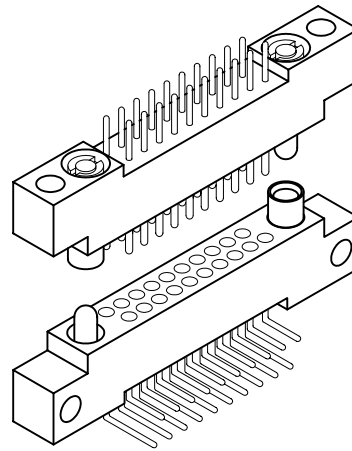
2 • ROW Motherboard or Chassis to Daughterboard

.075"

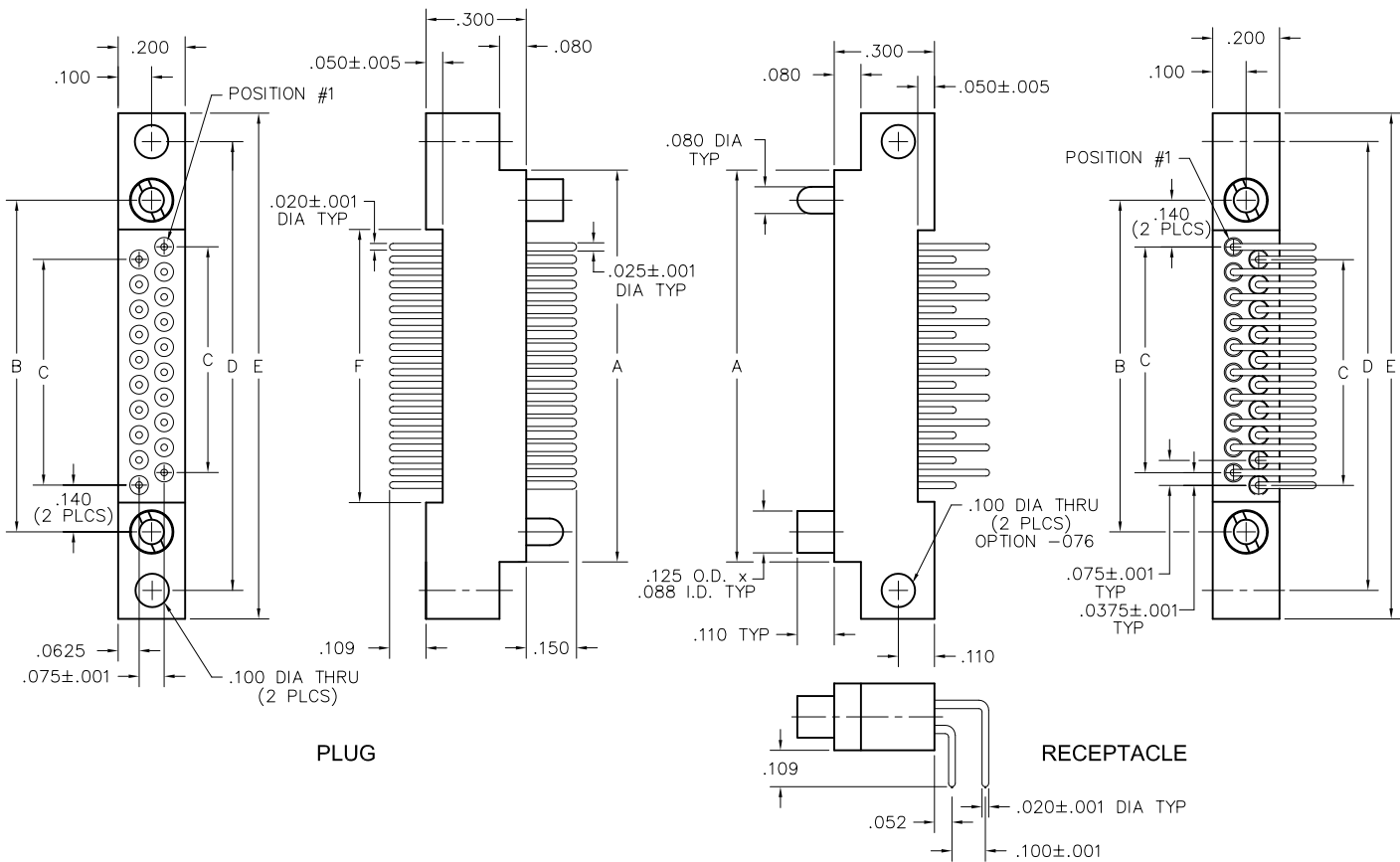
RM2

10 thru 100 Contacts

RM212-020-102-5500



RM262-020-442-5500-076



SIZE	DIMENSIONS					
	A	B	C	D	E	F
10	.797	.617	.300	.967	1.137	.442
20	1.172	.992	.675	1.342	1.512	.817
30	1.547	1.367	1.050	1.717	1.887	1.192
40	1.922	1.742	1.425	2.092	2.262	1.567
50	2.297	2.117	1.800	2.467	2.637	1.942
60	2.672	2.492	2.175	2.842	3.012	2.317
70	3.047	2.867	2.550	3.217	3.387	2.692
80	3.422	3.242	2.925	3.592	3.762	3.067
90	3.797	3.617	3.300	3.967	4.137	3.442
100	4.172	3.992	3.675	4.342	4.512	3.817

PLUG: RM212-020-102-5500
RECEPTACLE: RM262-020-442-5500-076
 XXXXX-XXX-XXX-XXXX-XXX

PLUG

RECEPTACLE

SERIES

RM .075" Screw Machine PC Connector | RM .075" Screw Machine PC Connector

BODY

2 2-Row | 2 2-Row

BODY STYLE:
 1 Plug, straight, with mounting ears | 6 Receptacle, right angle, with mounting ears
 3 Plug, straight, without mounting ears | 8 Receptacle, right angle, without mounting ears

BODY MATERIAL:
 2 Polyphenylene sulfide (PPS) | 2 Polyphenylene sulfide (PPS)

SIZE

010, 020, 030, 040, 050, 060, 070, 080, 090, 100 | 010, 020, 030, 040, 050, 060, 070, 080, 090, 100

CONTACTS

TYPE CONTACTS/TERMINATIONS:
 10 Pin, straight, dip solder, .109" x .020" dia | 44 Socket, right angle, dip solder, .109" x .020" dia
 11 Pin, straight, solder cup | 45 Socket, right angle, dip solder, .140" x .020" dia
 12 Pin, straight, dip solder, .140" x .020" dia | 46 Socket, right angle, dip solder, .172" x .020" dia
 13 Pin, straight, dip solder, .172" x .020" dia | 47 Socket, right angle, dip solder, .250" x .020" dia
 14 Pin, straight, dip solder, .250" x .020" dia
 15 Pin, straight, flex, .093" x .017" dia

PLATING OPTIONS:
 1 Gold plated termination | 1 Gold plated termination
 2 Pre-tinned termination, SnPb alloy (dip solder options only) | 2 Pre-tinned termination, SnPb alloy
 3 Pre-tinned termination, SAC305 alloy (dip solder options only) | 3 Pre-tinned termination, SAC305 alloy

HARDWARE

STYLE OF HARDWARE:
 (See R-41 & R-42 for all options)
 0256 None | 0256 None
 55 Guide set | 55 Guide set
 57 Two guide pins | 57 Two guide pins
 58 Two guide sockets | 58 Two guide sockets
 29 Fixed jackset | 29 Fixed jackset
 30 Fixed jackset, reversed | 30 Fixed jackset, reversed
 19 Two fixed jackscrews | 19 Two fixed jackscrews
 20 Two fixed jacksockets | 20 Two fixed jacksockets
 59 Hex turning jackset, .200" | 59 Hex turning jackset, .200"
 60 Hex turning jackset, reversed, .200" | 60 Hex turning jackset, reversed, .200"
 61 Two hex turning jackscrews, .200" | 61 Two hex turning jackscrews, .200"
 62 Two hex turning jacksockets, .200" | 62 Two hex turning jacksockets, .200"
 64 Turning jackset, .490" | 64 Turning jackset, .490"
 65 Turning jackset, reversed, .490" | 65 Turning jackset, reversed, .490"
 66 Two turning jackscrews, .490" | 66 Two turning jackscrews, .490"
 67 Two turning jacksockets, .490" | 67 Two turning jacksockets, .490"

POLARIZATION:
 00 None | 00 None
 01 thru 68 are special identifiers, see R-38 | 01 thru 68 are special identifiers, see R-38
 70 Same configuration as 01 without Loctite® (To be keyed by customer) | 70 Same configuration as 01 without Loctite® (To be keyed by customer)

OPTIONS

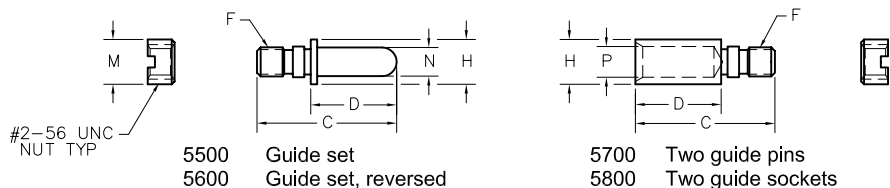
| 076 PWB mounting holes, .100" dia (cross drilled)

= Option not RoHS compliant

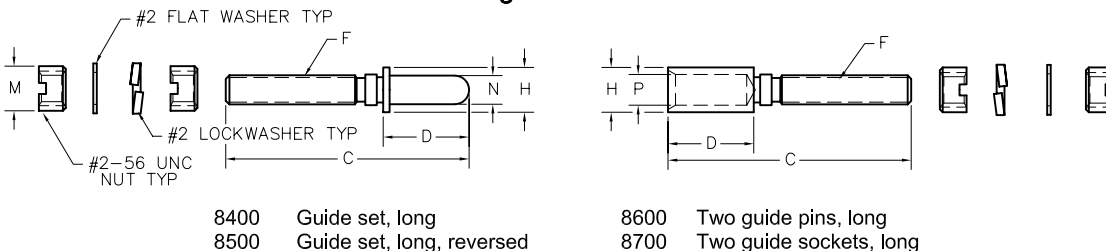
Ask About AirBorn's Accelerated Delivery Service

Guide Sets

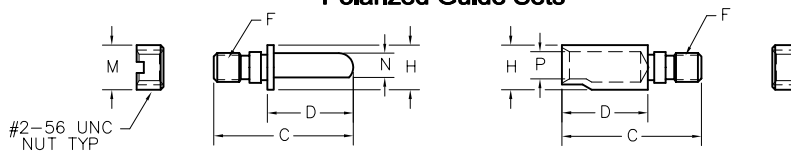
Guide Sets



Long Guide Sets

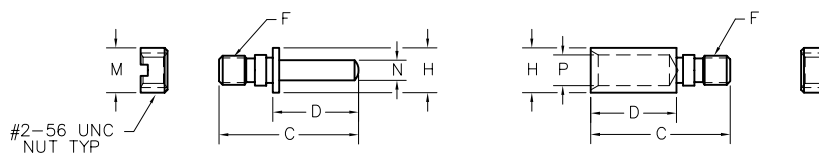


Polarized Guide Sets



Note: For polarization options, see page R-38.

Universal Test Guide Sets



Note: For polarization options, see page R-38.

DIMENSIONS															
HARDWARE TYPE	A	C	D	E	F	H	K	L	M	N	P				
1900/2000/2900/3000	—	.390	.240	—	#2-56 UNC TH'D	.125 DIA	—	—	.125 DIA	—	—				
5100 THRU 5400	.700	.750		.031 x .031 SLOT			—	.125 DIA	.156 DIA	—	—	—	—		
5500 THRU 5800	—	—		—			—	—	—	—	.080 DIA	.088 DIA	—		
5501 THRU 5564	—	.390		—			—	—	—	—	.125 DIA	.068	.076		
5565 THRU 5568	—	—		—			—	—	—	—	.056 SQ	.088 DIA	—		
5900 THRU 6200	.200	.500		5/64 INT HEX			—	—	.140 DIA	—	—	—	—		
6400 THRU 6700	.490	.750		.031 x .031 SLOT			—	.125 DIA	.156 DIA	—	—	—	—		
6800 THRU 7100	.545			—			—			—	—	—	—	—	—
7200 THRU 7500	.490			—			5/64 INTERNAL HEX			—	—	—	—	—	—
7600 THRU 7900	.545			—			—			—	—	—	—	—	—
8000 THRU 8300	.700			—			—			—	—	—	—	—	—
8400 THRU 8700	—			.680			—			—	—	—	—	.125 DIA	.080 DIA
8800 THRU 9100	—	—					—	—	—	—	—	—	—		

Hardware Only

HARDWARE TYPE	PART NUMBER
5500 or 5600	RM000-000-000-5500 (or -5600)
5501 - 5532	RM000-000-000-5501 (thru -5532)
5533 - 5548	RM000-000-000-5533 (thru -5548)
5549 - 5564	RM000-000-000-5549 (thru -5564)
5565 or 5566	RM000-000-000-5565 (or -5566)
5568	RM000-000-000-5568
5567	RM000-000-000-5567

HARDWARE TYPE	PART NUMBER
5570	RM000-000-000-5570
5700	RM000-000-000-5700
5800	RM000-000-000-5800
8400 or 8500	RM000-000-000-8400 (or -8500)
8600	RM000-000-000-8600
8700	RM000-000-000-8700

To order connector without hardware, place "-0256" in hardware designation area of catalog number

Example: RM322-152-221-0256

X-ON Electronics

Largest Supplier of Electrical and Electronic Components

Click to view similar products for [Rectangular MIL Spec Connectors](#) category:

Click to view products by [AirBorn](#) manufacturer:

Other Similar products are found below :

[M32139/03-B06ST](#) [65002-062](#) [CY4602-000](#) [77058-22-55PN](#) [86.030.0053.0](#) [GMCT26M0E100JC](#) [1241346-1](#) [MSO34MPK1E1](#)
[BACC65CAMA](#) [HSB-D4S03DM222X](#) [2217548-1](#) [890-009-31SA2-BRT1T](#) [27963-20T12](#) [SIM2N40NC3](#) [SIM2S100A](#) [1604996-2](#)
[SMD25PN90L-4055](#) [22628-10-6P-791](#) [GMCT66F0T0000](#) [M32139/03-G05SN](#) [CTD160E01F-6148](#) [CTJ112E03B](#) [CTJ122E02D-8000](#) [CTJ-](#)
[3D-12](#) [CTJ920E06N-513](#) [CTL-16-090](#) [CY4600-000](#) [CY4601-000](#) [38111-14-15SN](#) [38112-14-15PN](#) [TMN2N037PC2DM018S](#)
[TMN2N051SC2DM018T](#) [MMA23-0111R1](#) [MMD25-0071P1](#) [33516062020](#) [33526M11-08PE](#) [33526M11-08PN](#) [3355-5869-000](#) [DMC-M99-](#)
[01AN](#) [Y59113WE20PNV00300](#) [ZPF000000000106310](#) [105979-31](#) [MTCPK1PJC02S](#) [SIM2N40NC1](#) [SIM2N40NC2](#) [SIM2S110A](#)
[SIME2022PNR](#) [787-0015-02](#) [TMN2N009SC2DM018T](#) [TMN2N025PC2DM018S](#)