

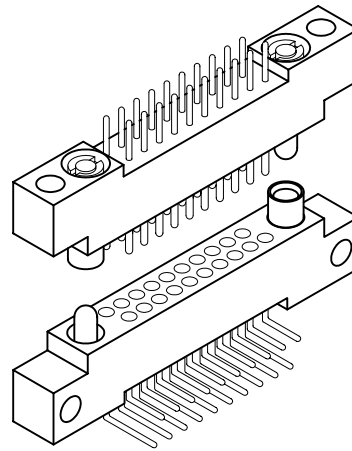
2 • ROW Motherboard or Chassis to Daughterboard

.075"

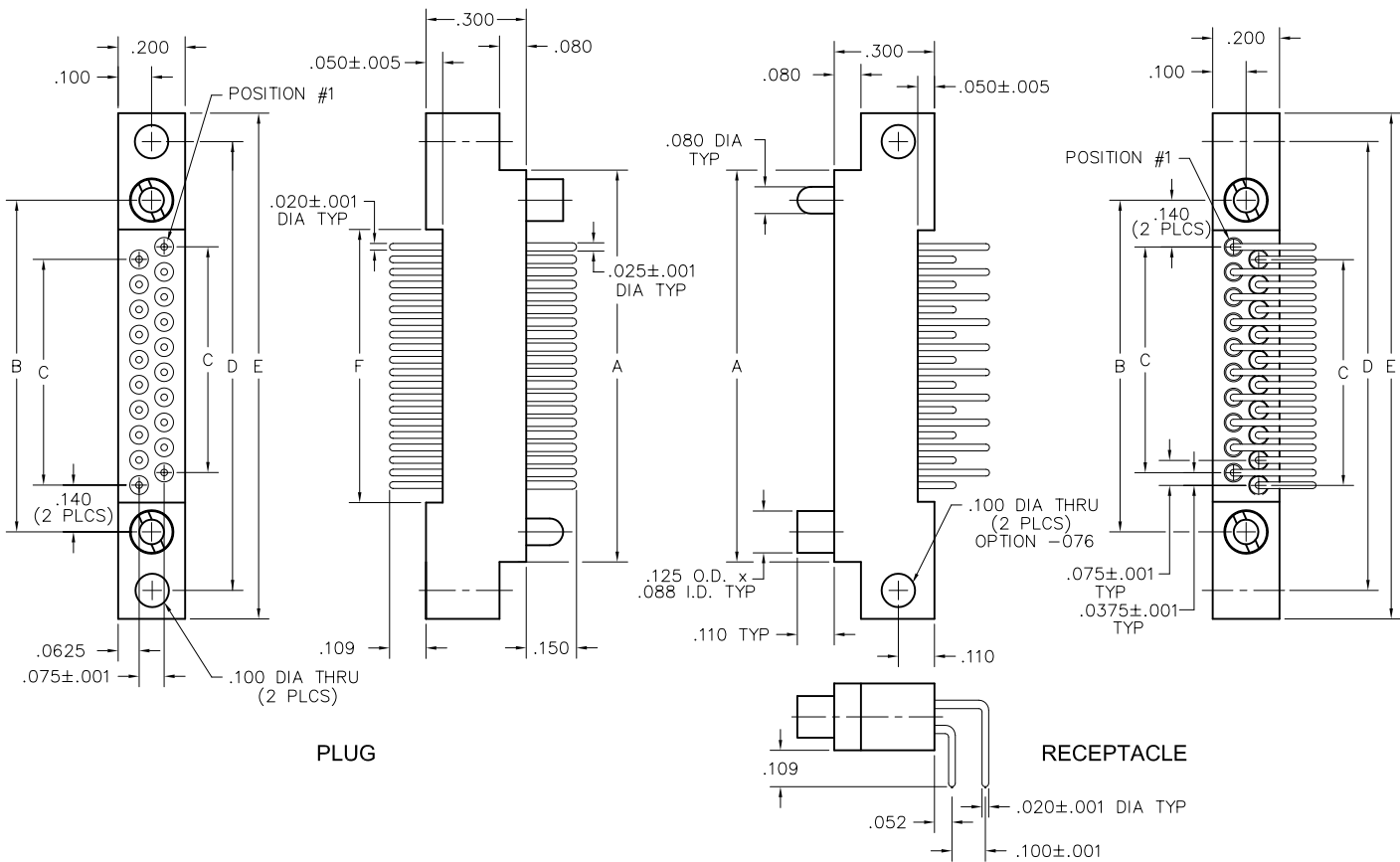
RM2

10 thru 100 Contacts

RM212-020-102-5500



RM262-020-442-5500-076



SIZE	DIMENSIONS					
	A	B	C	D	E	F
10	.797	.617	.300	.967	1.137	.442
20	1.172	.992	.675	1.342	1.512	.817
30	1.547	1.367	1.050	1.717	1.887	1.192
40	1.922	1.742	1.425	2.092	2.262	1.567
50	2.297	2.117	1.800	2.467	2.637	1.942
60	2.672	2.492	2.175	2.842	3.012	2.317
70	3.047	2.867	2.550	3.217	3.387	2.692
80	3.422	3.242	2.925	3.592	3.762	3.067
90	3.797	3.617	3.300	3.967	4.137	3.442
100	4.172	3.992	3.675	4.342	4.512	3.817

PLUG: RM212-020-102-5500
RECEPTACLE: RM262-020-442-5500-076
 XXXXX-XXX-XXX-XXXX-XXX

PLUG

RECEPTACLE

SERIES

RM .075" Screw Machine PC Connector | RM .075" Screw Machine PC Connector

BODY

2 2-Row | 2 2-Row

BODY STYLE:
 1 Plug, straight, with mounting ears | 6 Receptacle, right angle, with mounting ears
 3 Plug, straight, without mounting ears | 8 Receptacle, right angle, without mounting ears

BODY MATERIAL:
 2 Polyphenylene sulfide (PPS) | 2 Polyphenylene sulfide (PPS)

SIZE

010, 020, 030, 040, 050, 060, 070, 080, 090, 100 | 010, 020, 030, 040, 050, 060, 070, 080, 090, 100

CONTACTS

TYPE CONTACTS/TERMINATIONS:
 10 Pin, straight, dip solder, .109" x .020" dia | 44 Socket, right angle, dip solder, .109" x .020" dia
 11 Pin, straight, solder cup | 45 Socket, right angle, dip solder, .140" x .020" dia
 12 Pin, straight, dip solder, .140" x .020" dia | 46 Socket, right angle, dip solder, .172" x .020" dia
 13 Pin, straight, dip solder, .172" x .020" dia
 15 Pin, straight, flex, .093" x .017" dia

PLATING OPTIONS:
 1 Gold plated termination | 1 Gold plated termination
 2 Pre-tinned termination (except solder cup or flex) | 2 Pre-tinned termination

HARDWARE

STYLE OF HARDWARE:
 (See R-41 & R-42 for all options)
 0256 None | 0256 None
 55 Guide set | 55 Guide set
 57 Two guide pins | 57 Two guide pins
 58 Two guide sockets | 58 Two guide sockets
 29 Fixed jackset | 29 Fixed jackset
 30 Fixed jackset, reversed | 30 Fixed jackset, reversed
 19 Two fixed jackscrews | 19 Two fixed jackscrews
 20 Two fixed jacksockets | 20 Two fixed jacksockets
 59 Hex turning jackset, .200" | 59 Hex turning jackset, .200"
 60 Hex turning jackset, reversed, .200" | 60 Hex turning jackset, reversed, .200"
 61 Two hex turning jackscrews, .200" | 61 Two hex turning jackscrews, .200"
 62 Two hex turning jacksockets, .200" | 62 Two hex turning jacksockets, .200"
 64 Turning jackset, .490" | 64 Turning jackset, .490"
 65 Turning jackset, reversed, .490" | 65 Turning jackset, reversed, .490"
 66 Two turning jackscrews, .490" | 66 Two turning jackscrews, .490"
 67 Two turning jacksockets, .490" | 67 Two turning jacksockets, .490"

POLARIZATION:
 00 None | 00 None
 01 thru 68 are special identifiers, see R-38 | 01 thru 68 are special identifiers, see R-38
 70 Same configuration as 01 without Loctite® (To be keyed by customer) | 70 Same configuration as 01 without Loctite® (To be keyed by customer)

OPTIONS

076 PWB mounting holes, .100" dia (cross drilled)

X-ON Electronics

Largest Supplier of Electrical and Electronic Components

Click to view similar products for [Rectangular MIL Spec Connectors](#) category:

Click to view products by [AirBorn](#) manufacturer:

Other Similar products are found below :

[891-011-15SA2-BSST](#) [CTS-S16/16](#) [65002-062](#) [CY4602-000](#) [732-8020-01](#) [77058-22-55PN](#) [81542-20](#) [86.030.0053.0](#) [1241346-1](#) [RM252-020-311-2900](#) [DMC-M 08-16 SA](#) [1589051-4](#) [MSO34MPK1E1](#) [BACC65CAMA](#) [BACC65CP1PN](#) [BACI10BC0816PNBA](#) [HSB-D4S03DM222X](#) [2217548-1](#) [891-006-9PS-BST1T](#) [891-009-15SA2-BRT1T](#) [27963-20T12](#) [SIM2N40NC3](#) [SIM2S100A](#) [1604996-2](#) [SMD25PN90L-4055](#) [1900ND08S1B00A](#) [22628-10-6P-791](#) [RE04-212S](#) [M32139/03-G05SN](#) [CTD160E01F-6148](#) [CTJ112E03B](#) [CTJ122E02D-8000](#) [CTJ-3D-12](#) [CTJ920E06N-513](#) [CTJ920E12N-513](#) [CTL-16-090](#) [RM300-000-581-0000](#) [CY4600-000](#) [CY4601-000](#) [38111-14-15SN](#) [38112-14-15PN](#) [MMA23-0111R1](#) [MMD25-0071P1](#) [33516062020](#) [33526M11-08PE](#) [DMC-M99-01AN](#) [Y59113WE20PNV00300](#) [ZPF000000000106310](#) [105979-31](#) [EN4165M01AD0G0](#)