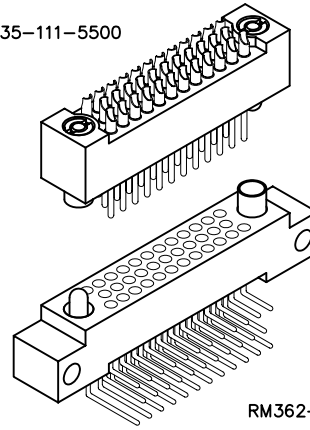


RM332-035-111-5500



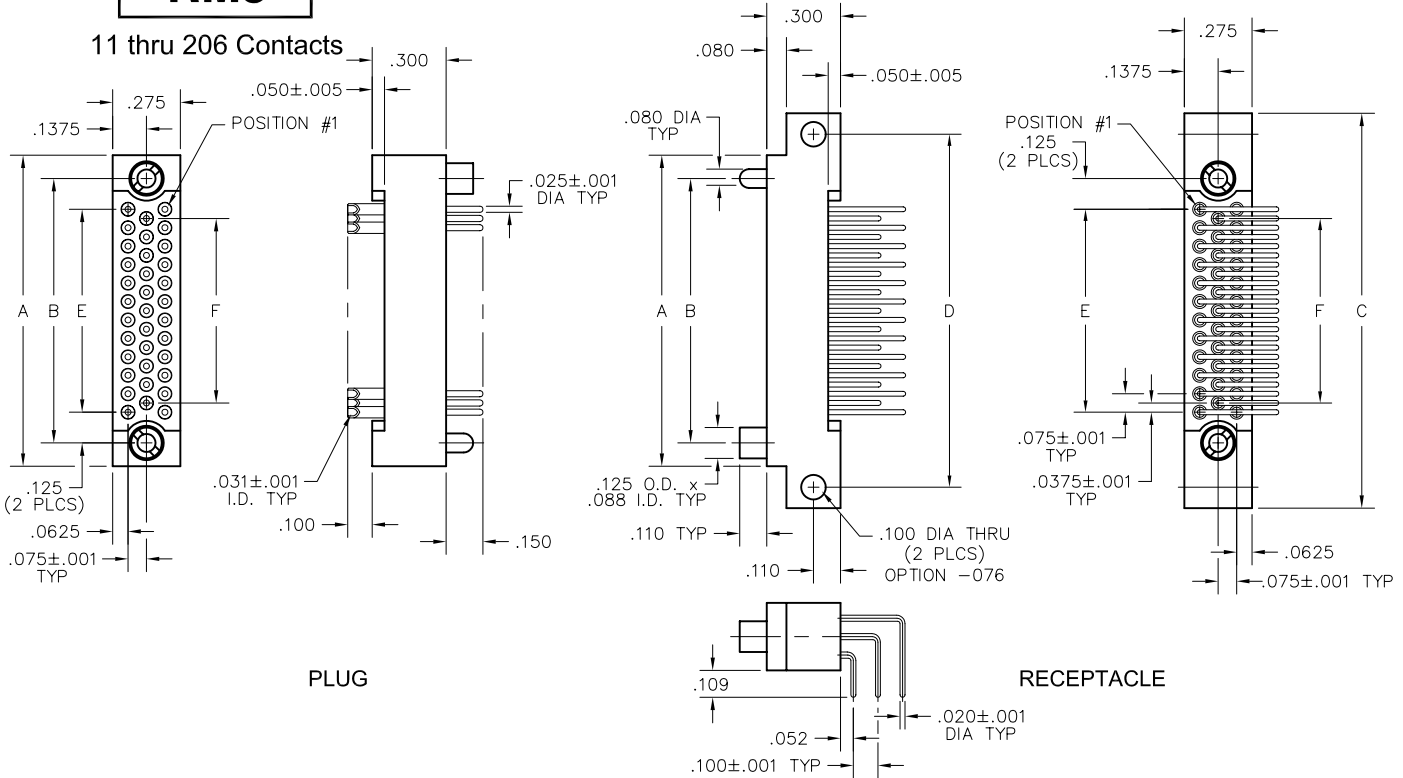
RM362-035-441-5500-076

3 • ROW Motherboard or Chassis to Daughterboard

.075"

RM3

11 thru 206 Contacts



DIMENSIONS						
SIZE	A	B	C	D	E	F
11	.665	.475	1.005	.835	.225	.150
23	.965	.775	1.305	1.135	.525	.450
35	1.265	1.075	1.605	1.435	.825	.750
47	1.565	1.375	1.905	1.735	1.125	1.050
59	1.865	1.675	2.205	2.035	1.425	1.350
71	2.165	1.975	2.505	2.335	1.725	1.650
80	2.390	2.200	2.730	2.560	1.950	1.875
92	2.690	2.500	3.030	2.860	2.250	2.175
104	2.990	2.800	3.330	3.160	2.550	2.475
122	3.440	3.250	3.780	3.610	3.000	2.925
140	3.890	3.700	4.230	4.060	3.450	3.375
152	4.190	4.000	4.530	4.360	3.750	3.675
182	4.940	4.750	5.280	5.110	4.500	4.425
206	5.540	5.350	5.880	5.710	5.100	5.025

PLUG: RM332-035- 111-5500
RECEPTACLE: RM362-035- 441-5500-076
 XXXXX-XXX-XXX-XXXX-XXX

PLUG

RECEPTACLE

SERIES

RM .075" Screw Machine PC Connector | RM .075" Screw Machine PC Connector

BODY

3 3-Row | 3 3-Row

BODY STYLE:

1 Plug, straight, with mounting ears	6 Receptacle, right angle, with mounting ears
3 Plug, straight, without mounting ears	8 Receptacle, right angle, without mounting ears

BODY MATERIAL:

2 Polyphenylene sulfide (PPS)	2 Polyphenylene sulfide (PPS)
-------------------------------	-------------------------------

SIZE

011, 023, 035, 047, 059, 071, 080, 092, 104, 122, 140, 152, 182, 206	011, 023, 035, 047, 059, 071, 080, 092, 104, 122, 140, 152, 182, 206
---	---

CONTACTS

TYPE CONTACTS/TERMINATIONS:

10 Pin, straight, dip solder, .109" x .020" dia
 11 Pin, straight, solder cup
 12 Pin, straight, dip solder, .140" x .020" dia
 13 Pin, straight, dip solder, .172" x .020" dia
 14 Pin, straight, dip solder, .250" x .020" dia
 15 Pin, straight, flex, .093" x .017 dia

TYPE CONTACTS/TERMINATIONS:

44 Socket, right angle, dip solder, .109" x .020" dia
 45 Socket, right angle, dip solder, .140" x .020" dia
 46 Socket, right angle, dip solder, .172" x .020" dia
 47 Socket, right angle, dip solder, .250" x .020" dia

PLATING OPTIONS:

1 Gold plated termination
 2 Pre-finned termination, SnPb alloy (dip solder options only)
 3 Pre-tinned termination, SAC305 alloy (dip solder options only)

PLATING OPTIONS:

1 Gold plated termination
 2 Pre-finned termination, SnPb alloy
 3 Pre-tinned termination, SAC305 alloy

HARDWARE

STYLE OF HARDWARE:
(See R-41 & R-42 for all options)

0256 None
 55 Guide set
 57 Two guide pins
 58 Two guide sockets
 29 Fixed jackset
 30 Fixed jackset, reversed
 19 Two fixed jackscrews
 20 Two fixed jacksockets
 59 Hex turning jackset, .200"
 60 Hex turning jackset, reversed, .200"
 61 Two hex turning jackscrews, .200"
 62 Two hex turning jacksockets, .200"
 64 Turning jackset, .490"
 65 Turning jackset, reversed, .490"
 66 Two turning jackscrews, .490"
 67 Two turning jacksockets, .490"

STYLE OF HARDWARE:
(See R-41 & R-42 for all options)

0256 None
 55 Guide set
 57 Two guide pins
 58 Two guide sockets
 29 Fixed jackset
 30 Fixed jackset, reversed
 19 Two fixed jackscrews
 20 Two fixed jacksockets
 59 Hex turning jackset, .200"
 60 Hex turning jackset, reversed, .200"
 61 Two hex turning jackscrews, .200"
 62 Two hex turning jacksockets, .200"
 64 Turning jackset, .490"
 65 Turning jackset, reversed, .490"
 66 Two turning jackscrews, .490"
 67 Two turning jacksockets, .490"

POLARIZATION:

00 None
 01 thru 68 are special identifiers, see R-38
 70 Same configuration as 01 without Loctite®
 (To be keyed by customer)

POLARIZATION

00 None
 01 thru 68 are special identifiers, see R-38
 70 Same configuration as 01 without Loctite®
 (To be keyed by customer)

OPTIONS

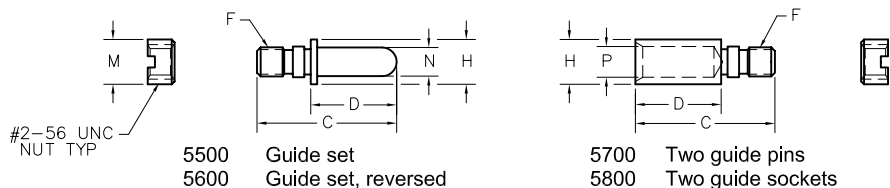
| 076 PWB mounting holes, .100" dia (cross drilled)

= Option not RoHS compliant

Ask About AirBorn's Accelerated Delivery Service

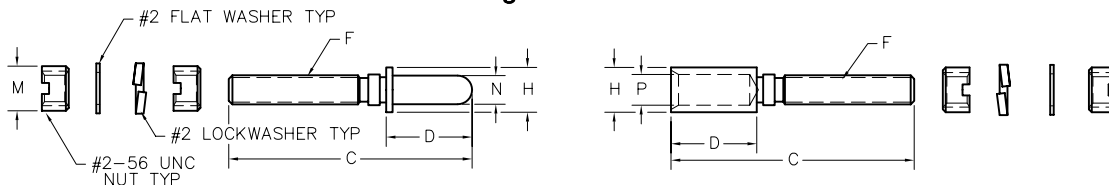
Guide Sets

Guide Sets



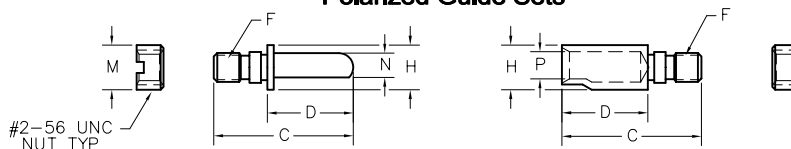
5500 Guide set
5600 Guide set, reversed
5700 Two guide pins
5800 Two guide sockets

Long Guide Sets



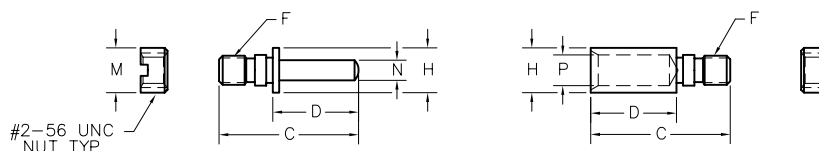
8400 Guide set, long
8500 Guide set, long, reversed
8600 Two guide pins, long
8700 Two guide sockets, long

Polarized Guide Sets



5501 thru 5564, & 5570
Note: For polarization options, see page R-38.

Universal Test Guide Sets



5565 thru 5568
Note: For polarization options, see page R-38.

DIMENSIONS													
HARDWARE TYPE	A	C	D	E	F	H	K	L	M	N	P		
1900/2000/2900/3000	—	.390	.240	—	#2-56 UNC TH'D	.125 DIA	—	—	.125 DIA	—	—		
5100 THRU 5400	.700	.750		.031 x .031 SLOT			—	.125 DIA	.156 DIA	—	—	—	—
5500 THRU 5800	—	—		—			—	—	—	—	—	.080 DIA	.088 DIA
5501 THRU 5564	—	.390		—			—	—	—	—	.125 DIA	.068	.076
5565 THRU 5568	—	—		—			—	—	—	—	.056 SQ	.088 DIA	—
5900 THRU 6200	.200	.500		5/64 INT HEX			—	—	.140 DIA	—	—	—	—
6400 THRU 6700	.490	—		.031 x .031 SLOT			—	—	—	—	—	—	—
6800 THRU 7100	.545	—		—			—	—	—	—	—	—	—
7200 THRU 7500	.490	.750		5/64 INTERNAL HEX			—	—	.125 DIA	.156 DIA	—	—	—
7600 THRU 7900	.545	—		—			—	—	—	—	—	—	—
8000 THRU 8300	.700	—		—			—	—	—	—	—	—	—
8400 THRU 8700	—	—		—			—	—	—	—	.125 DIA	.080 DIA	.088 DIA
8800 THRU 9100	—	.680		—			—	—	—	—	—	—	—

Hardware Only

HARDWARE TYPE	PART NUMBER
5500 or 5600	RM000-000-000-5500 (or -5600)
5501 - 5532	RM000-000-000-5501 (thru -5532)
5533 - 5548	RM000-000-000-5533 (thru -5548)
5549 - 5564	RM000-000-000-5549 (thru -5564)
5565 or 5566	RM000-000-000-5565 (or -5566)
5568	RM000-000-000-5568
5567	RM000-000-000-5567

HARDWARE TYPE	PART NUMBER
5570	RM000-000-000-5570
5700	RM000-000-000-5700
5800	RM000-000-000-5800
8400 or 8500	RM000-000-000-8400 (or -8500)
8600	RM000-000-000-8600
8700	RM000-000-000-8700

To order connector without hardware, place "-0256" in hardware designation area of catalog number

Example: RM322-152-221-0256

X-ON Electronics

Largest Supplier of Electrical and Electronic Components

Click to view similar products for [Rectangular MIL Spec Connectors](#) category:

Click to view products by [AirBorn](#) manufacturer:

Other Similar products are found below :

[891-011-15SA2-BSST](#) [M32139/03-B06ST](#) [65002-062](#) [M85049/28-1](#) [M85049/28-2](#) [77058-22-55PN](#) [86.030.0053.0](#) [GMCT26M0E100JC](#)
[BACC65CAMA](#) [890-009-31SA2-BRT1T](#) [27963-20T12](#) [SIM2N40NC3](#) [SIM2S100A](#) [1604996-2](#) [SMD25PN90L-4055](#) [22628-10-6P-791](#)
[GMCT66F0T0000](#) [CTD160E01F-6148](#) [CTJ-3D-12](#) [CTJ920E06N-513](#) [CTL-16-090](#) [CY4600-000](#) [CY4601-000](#) [38111-14-15SN](#)
[TMN2N037PC2DM018S](#) [TMN2N051SC2DM018T](#) [MMD25-0071P1](#) [33526M11-08PC](#) [33526M11-08PE](#) [3355-5869-000](#) [DMC-M99-01AN](#)
[ZPF000000000106310](#) [105979-31](#) [SIM2N40NC1](#) [SIM2N40NC2](#) [SIME2022PNR](#) [TMN2N009SC2DM018T](#) [ZPF000000000015295](#)
[ZPF000000000134011](#) [ZPF000000000106308](#) [ZPF000000000102759](#) [CTG-20-08-513](#) [5634-201-03158](#) [5634-202-03758](#) [MMH43-0051J1](#)
[MMH43-0091J1](#) [MMB41-0071K1](#) [EN4165A20-221BA](#) [EI-1470-2400](#) [507-002CH](#)