

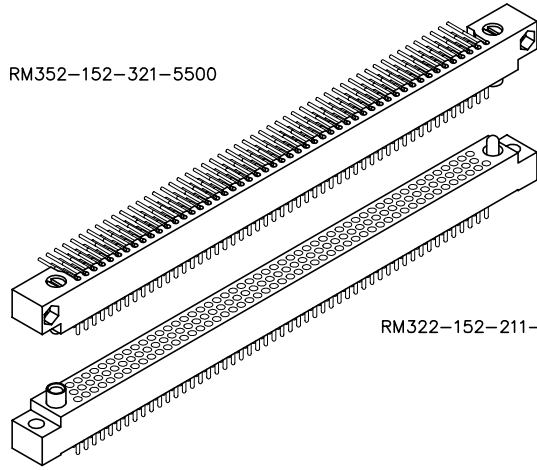
3 • ROW Daughterboard to Motherboard or Chassis

.025"

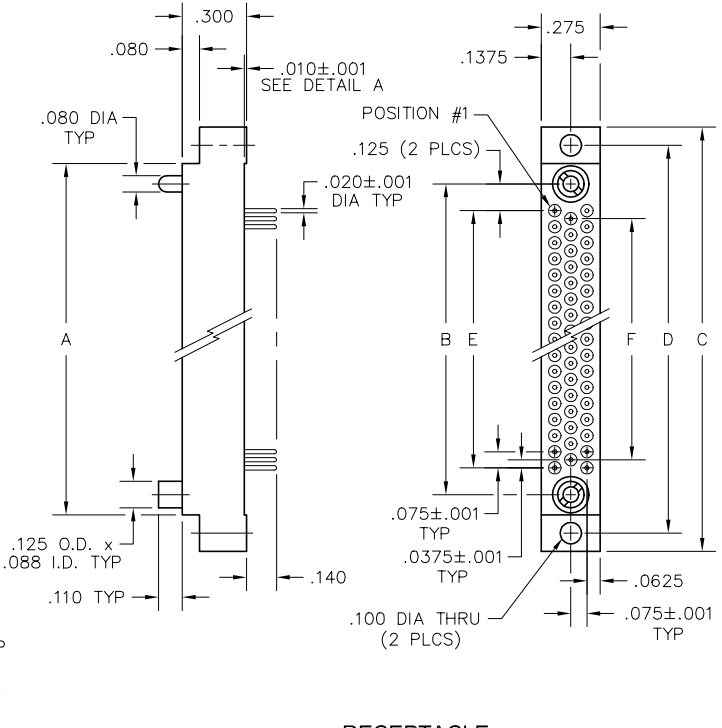
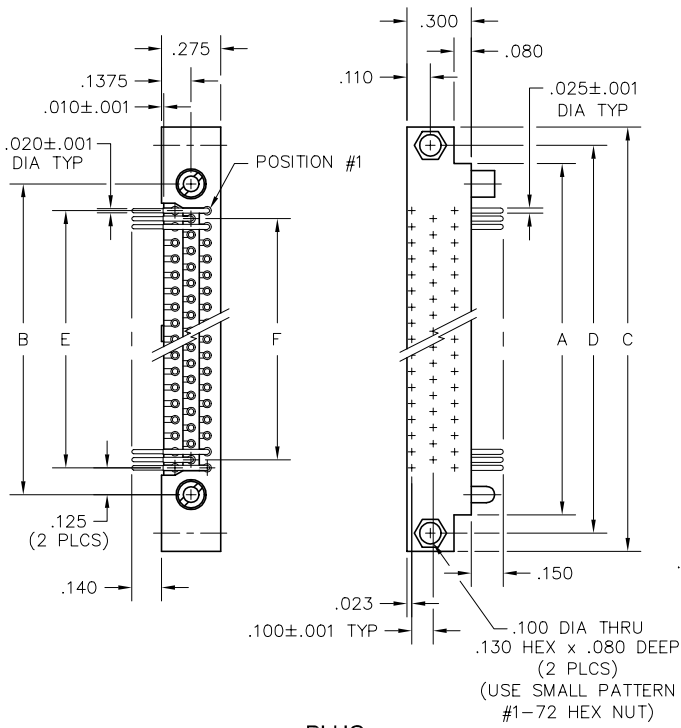
RM3

11 thru 206 Contacts

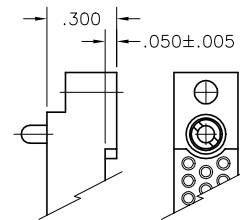
RM352-152-321-5500



RM322-152-211-5500



DIMENSIONS						
SIZE	A	B	C	D	E	F
11	.665	.475	1.005	.835	.225	.150
23	.965	.775	1.305	1.135	.525	.450
35	1.265	1.075	1.605	1.435	.825	.750
47	1.565	1.375	1.905	1.735	1.125	1.050
59	1.865	1.675	2.205	2.035	1.425	1.350
71	2.165	1.975	2.505	2.335	1.725	1.650
80	2.390	2.200	2.730	2.560	1.950	1.875
122	3.440	3.250	3.780	3.610	3.000	2.925
152	4.190	4.000	4.530	4.360	3.750	3.675
206	5.540	5.350	5.880	5.710	5.100	5.025



DETAIL A
SIZES 11-71

PLUG: RM352-152-321-5500
RECEPTACLE: RM322-152-211-5500
 XXXXX-XXX-XXX-XXXXXX

PLUG

RECEPTACLE

SERIES	
RM .075" Screw Machine PC Connector	RM .075" Screw Machine PC Connector

BODY	
3 3-Row	3 3-Row

BODY STYLE:	BODY STYLE:
5 Plug, right angle, with mounting ears	2 Receptacle, straight, with mounting ears
7 Plug, right angle, without mounting ears	4 Receptacle, straight, without mounting ears

BODY MATERIAL:	BODY MATERIAL:
2 Polyphenylene sulfide (PPS)	2 Polyphenylene sulfide (PPS)

SIZE	
011, 023, 035, 047, 059, 071, 080, 122, 152, 206	011, 023, 035, 047, 059, 071, 080, 122, 152, 206

CONTACTS

TYPE CONTACTS/TERMINATIONS:

31 Pin, right angle, dip solder, .109" x .020" dia
32 Pin, right angle, dip solder, .140" x .020" dia
33 Pin, right angle, dip solder, .172" x .020" dia
34 Pin, right angle, dip solder, .109" x .016" dia
35 Pin, right angle, dip solder, .140" x .016" dia
36 Pin, right angle, dip solder, .172" x .016" dia

TYPE CONTACTS/TERMINATIONS:

20 Socket, straight, dip solder, .109" x .020" dia
21 Socket, straight, dip solder, .140" x .020" dia
22 Socket, straight, dip solder, .172" x .020" dia
24 Socket, straight, solder cup
25 Socket, straight, flex circuit, .093" x .017" dia
26 Socket, straight, wire wrap®, .500" x .018 sq
27 Socket, straight, wire wrap®, .375" x .018 sq
28 Socket, straight, wire wrap®, .625" x .018 sq
29 Socket, connector saver, .150" x .025" dia
50 Socket, straight, dip solder, .140" x .016" dia
51 Socket, straight, dip solder, .172" x .016" dia
53 Socket, straight, stacking, .212" x .025" dia
54 Socket, straight, stacking, .244" x .025" dia
55 Socket, straight, stacking, .275" x .025" dia
64 Socket, straight, press-fit, .203" (Board .093"-.125" thk)
65 Socket, straight, press-fit, .323" (Board .156"-.200" thk)
66 Socket, straight, press-fit, .403" (Board .250"+ thk)

PLATING OPTIONS:

1 Gold plated termination
2 Pre-tinned termination

PLATING OPTIONS:

1 Gold plated termination
2 Pre-tinned termination (except solder cup, flex or wire wrap®)

HARDWARE

STYLE OF HARDWARE:
(See R-41 & R-42 for all options)

0256 None
55 Guide set
57 Two guide pins
58 Two guide sockets
29 Fixed jackset
30 Fixed jackset, reversed
19 Two fixed jackscrews
20 Two fixed jacksockets
59 Hex turning jackset, .200"
60 Hex turning jackset, reversed, .200"
61 Two hex turning jackscrews, .200"
62 Two hex turning jacksockets, .200"
64 Turning jackset, .490"
65 Turning jackset, reversed, .490"
66 Two turning jackscrews, .490"
67 Two turning jacksockets, .490"

STYLE OF HARDWARE:
(See R-41 & R-42 for all options)

0256 None
55 Guide set
57 Two guide pins
58 Two guide sockets
29 Fixed jackset
30 Fixed jackset, reversed
19 Two fixed jackscrews
20 Two fixed jacksockets
59 Hex turning jackset, .200"
60 Hex turning jackset, reversed, .200"
61 Two hex turning jackscrews, .200"
62 Two hex turning jacksockets, .200"
64 Turning jackset, .490"
65 Turning jackset, reversed, .490"
66 Two turning jackscrews, .490"
67 Two turning jacksockets, .490"

POLARIZATION:

00 None
01 thru 68 are special identifiers, see R-38
70 Same configuration as 01 without Loctite® (To be keyed by customer)

POLARIZATION

00 None
01 thru 68 are special identifiers, see R-38
70 Same configuration as 01 without Loctite® (To be keyed by customer)

OPTIONS

BN Bond #1-72, sm. pattern hex nuts into mtg. ears
--

3 • ROW

Right Angle PTH Plug Straight PTH Plug

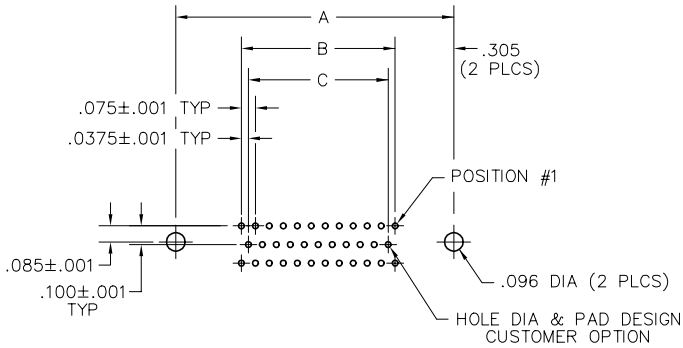
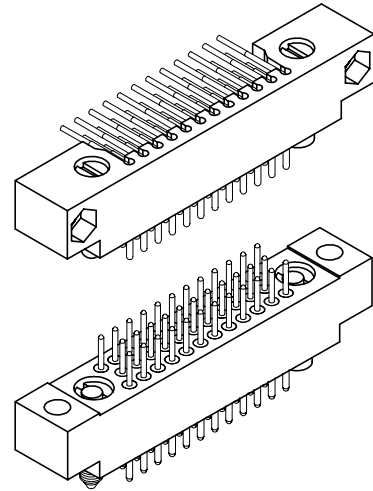
.075"

RM3

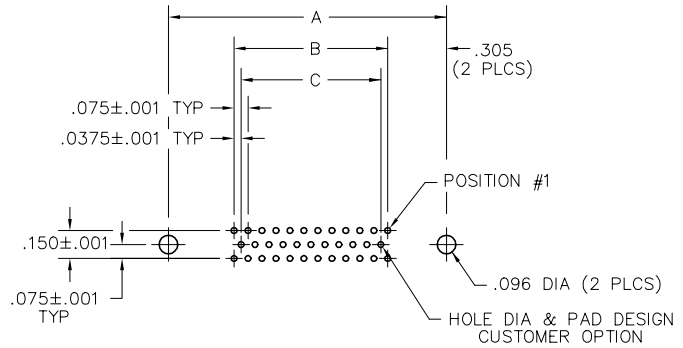
11 thru 206 Contacts

Recommended
Board Layout

DIMENSIONS			
SIZE	A	B	C
11	.835	.225	.150
23	1.135	.525	.450
35	1.435	.825	.750
47	1.735	1.125	1.050
59	2.035	1.425	1.350
71	2.335	1.725	1.650
80	2.560	1.950	1.875
122	3.610	3.000	2.925
152	4.360	3.750	3.675
206	5.710	5.100	5.025



RIGHT ANGLE PTH PLUG
PC BOARD VIEWED FROM COMPONENT SIDE



STRAIGHT PTH PLUG
PC BOARD VIEWED FROM COMPONENT SIDE

SIZE	CONTACT ID	SIZE	CONTACT ID
11		71	
23		80	
35		122	
47		152	
59		206	

3 • ROW

Right Angle PTH Rcpt

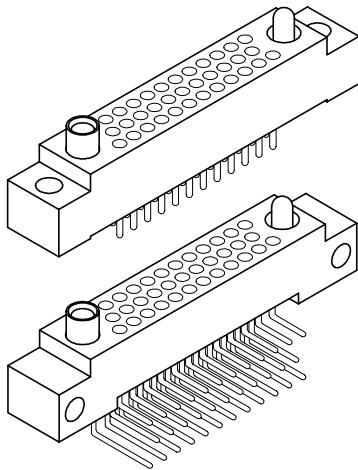
Straight PTH Rcpt

.075"

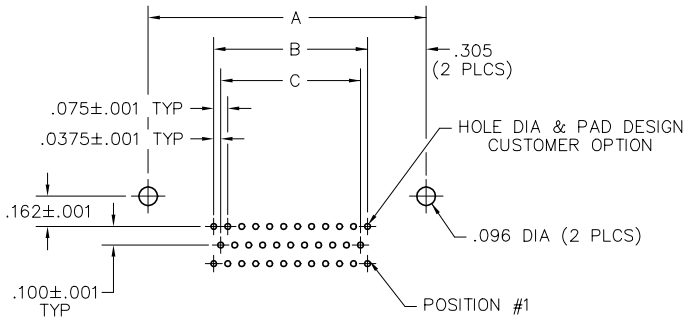
RM3

11 thru 206 Contacts

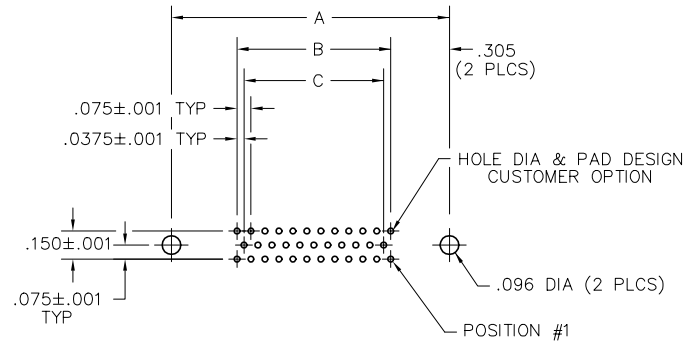
Recommended
Board Layout



DIMENSIONS			
SIZE	A	B	C
11	.835	.225	.150
23	1.135	.525	.450
35	1.435	.825	.750
47	1.735	1.125	1.050
59	2.035	1.425	1.350
71	2.335	1.725	1.650
80	2.560	1.950	1.875
122	3.610	3.000	2.925
152	4.360	3.750	3.675
206	5.710	5.100	5.025



RIGHT ANGLE PTH RECEPTACLE
PC BOARD VIEWED FROM COMPONENT SIDE



STRAIGHT PTH RECEPTACLE
PC BOARD VIEWED FROM COMPONENT SIDE

SIZE	CONTACT ID	SIZE	CONTACT ID
11		71	
23		80	
35		122	
47		152	
59		206	

X-ON Electronics

Largest Supplier of Electrical and Electronic Components

Click to view similar products for [Rectangular MIL Spec Connectors](#) category:

Click to view products by [AirBorn](#) manufacturer:

Other Similar products are found below :

[M32139/03-B06ST](#) [65002-062](#) [CY4602-000](#) [77058-22-55PN](#) [86.030.0053.0](#) [GMCT26M0E100JC](#) [1241346-1](#) [MSO34MPK1E1](#)
[BACC65CAMA](#) [HSB-D4S03DM222X](#) [2217548-1](#) [890-009-31SA2-BRT1T](#) [27963-20T12](#) [SIM2N40NC3](#) [SIM2S100A](#) [1604996-2](#)
[SMD25PN90L-4055](#) [22628-10-6P-791](#) [GMCT66F0T0000](#) [M32139/03-G05SN](#) [CTD160E01F-6148](#) [CTJ112E03B](#) [CTJ122E02D-8000](#) [CTJ-](#)
[3D-12](#) [CTJ920E06N-513](#) [CTL-16-090](#) [CY4600-000](#) [CY4601-000](#) [38111-14-15SN](#) [38112-14-15PN](#) [TMN2N037PC2DM018S](#)
[TMN2N051SC2DM018T](#) [MMA23-0111R1](#) [MMD25-0071P1](#) [33516062020](#) [33526M11-08PE](#) [33526M11-08PN](#) [3355-5869-000](#) [DMC-M99-](#)
[01AN](#) [Y59113WE20PNV00300](#) [ZPF000000000106310](#) [105979-31](#) [MTCPK1PJC02S](#) [SIM2N40NC1](#) [SIM2N40NC2](#) [SIM2S110A](#)
[SIME2022PNR](#) [787-0015-02](#) [TMN2N009SC2DM018T](#) [TMN2N025PC2DM018S](#)