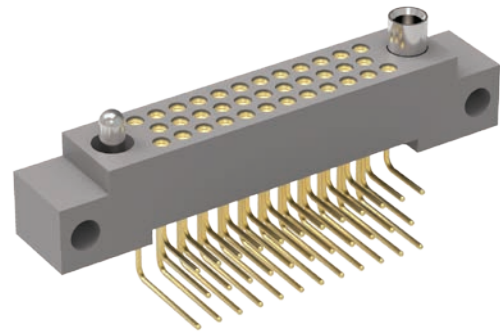


## R Series High-Density 0.075" (1.905mm)



### RM – Three-Row, Right-Angle, Board-Mount Receptacle

Contact Spacing: 0.075" (1.91 mm)

R-Series products are high-density, plastic connectors commonly used in board-to-board applications. Approved to MIL-55302 standard.

#### Sample Part Number Format: RM362-035-441-5500-076



SERIES	ROWS	STYLE	BODY MATERIAL	SIZE	PLATING	POLARIZATION	OPTIONS
0.075" Plastic Rectangular Connector (Receptacle)	3 – 3-Row (10-100 contacts)	6 – Receptacle, right-angle with mounting ears 8 – Receptacle, right-angle without mounting ears	2 – Polyphenylene sulfide (PPS)	011 – 11 contacts 023 – 23 contacts 035 – 35 contacts 047 – 47 contacts 059 – 59 contacts 071 – 71 contacts 080 – 80 contacts 092 – 92 contacts 104 – 104 contacts 122 – 122 contacts 140 – 140 contacts 152 – 152 contacts 182 – 182 contacts 206 – 206 contacts	1 – Gold 2 – Pre-tinned, SnPb alloy ‡ 3 – Pre-tinned, SAC305 alloy	00 – None XX – See page 140 for codes 70 – Same as above, but without Loctite® (customer-keyed)	076 – PWB mounting holes, 0.100" Ø (cross-drilled)
				<b>TERMINATION</b> 44 – Plated thru-hole, 0.109" x 0.020" Ø 45 – Plated thru-hole, 0.140" x 0.020" Ø 46 – Plated thru-hole, 0.172" x 0.020" Ø 47 – Plated thru-hole, 0.250" x 0.020" Ø		<b>HARDWARE</b> 0256 – None 55 – Guide set 57 – Two guide pins 58 – Two guide sockets 29 – Fixed jackset 30 – Fixed jackset, reversed 19 – Two fixed jackscrews 20 – Two fixed jackscrews 59 – Hex turning jackset, 0.200" 60 – Hex turning jackset reversed, 0.200" 61 – Two hex turning jackscrews, 0.200" 62 – Two hex turning jackscrews, 0.200" 64 – Turning jackset, 0.490"	

Notes:  
‡ Not RoHS-compliant

PLEASE CONSULT THE AIRBORN WEBSITE FOR THE LATEST REVISION OF THIS DOCUMENT PRIOR TO BEGINNING ANY DESIGN WORK.

#### Mates with

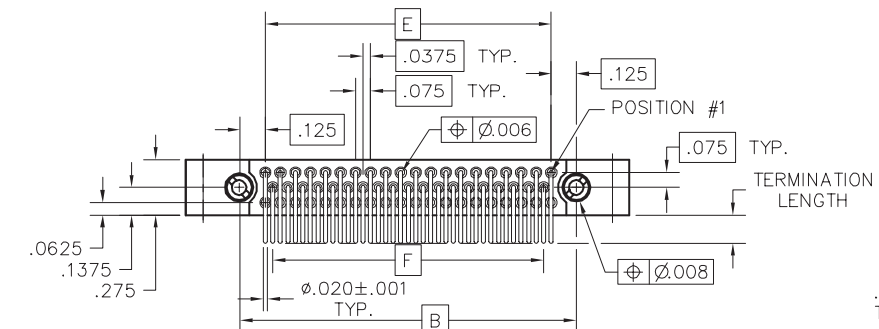
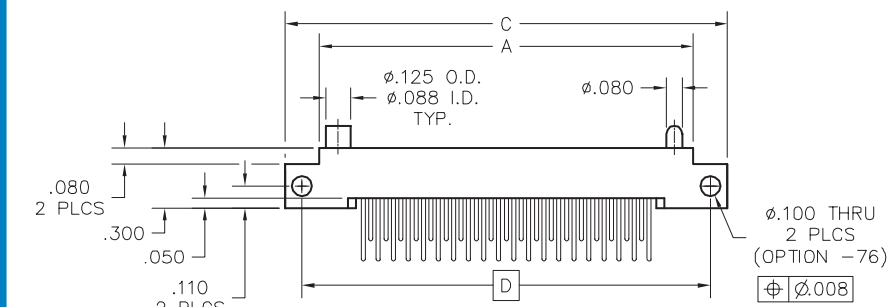
- RM312 & RM332 — Three-row, straight plug
- RM352 & RM372 — Three-row, right-angle plug
- RA3 — Three-row, I/O plug

#### Terminations

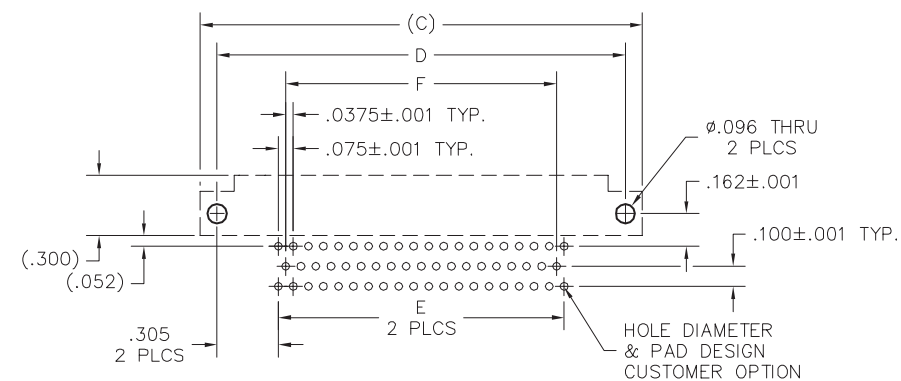
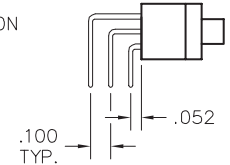


### RM – Three-Row, Right-Angle, Board-Mount Receptacle

Plastic ▪ 3-Row ▪ 11-206 Contacts



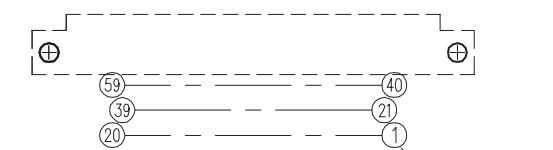
RECEPTACLE



PCB LAYOUT VIEWED FROM COMPONENT SIDE



PIN IDENTIFICATION PATTERN VIEWED FROM TERMINATION SIDE



PCB PIN IDENTIFICATION PATTERN VIEWED FROM COMPONENT SIDE (EXAMPLE: 59 POSITION CONNECTOR)

SIZE	DIMENSIONS					
	A	B	C	D	E	F
11	.665	.475	1.005	.835	.225	.150
23	.965	.775	1.305	1.135	.525	.450
35	1.265	1.075	1.605	1.435	.825	.750
47	1.565	1.375	1.905	1.735	1.125	1.050
59	1.865	1.675	2.205	2.035	1.425	1.350
71	2.165	1.975	2.505	2.335	1.725	1.650
80	2.390	2.200	2.730	2.560	1.950	1.875
92	2.690	2.500	3.030	2.860	2.250	2.175
104	2.990	2.800	3.330	3.160	2.550	2.475
122	3.440	3.250	3.780	3.610	3.000	2.925
140	3.890	3.700	4.230	4.060	3.450	3.375
152	4.190	4.000	4.530	4.360	3.750	3.675
182	4.940	4.750	5.280	5.110	4.500	4.425
206	5.540	5.350	5.880	5.710	5.100	5.025

PLEASE CONSULT THE AIRBORN WEBSITE FOR THE LATEST REVISION OF THIS DOCUMENT PRIOR TO BEGINNING ANY DESIGN WORK.

## X-ON Electronics

Largest Supplier of Electrical and Electronic Components

*Click to view similar products for [Rectangular MIL Spec Connectors](#) category:*

*Click to view products by [AirBorn](#) manufacturer:*

Other Similar products are found below :

[891-011-15SA2-BSST](#) [CTS-S16/16](#) [65002-062](#) [CY4602-000](#) [732-8020-01](#) [77058-22-55PN](#) [81542-20](#) [86.030.0053.0](#) [1241346-1](#) [RM252-020-311-2900](#) [DMC-M 08-16 SA](#) [1589051-4](#) [MSO34MPK1E1](#) [BACC65CAMA](#) [BACC65CP1PN](#) [BACI10BC0816PNBA](#) [HSB-D4S03DM222X](#) [2217548-1](#) [891-006-9PS-BST1T](#) [891-009-15SA2-BRT1T](#) [27963-20T12](#) [SIM2N40NC3](#) [SIM2S100A](#) [1604996-2](#) [SMD25PN90L-4055](#) [1900ND08S1B00A](#) [22628-10-6P-791](#) [RE04-212S](#) [M32139/03-G05SN](#) [CTD160E01F-6148](#) [CTJ112E03B](#) [CTJ122E02D-8000](#) [CTJ-3D-12](#) [CTJ920E06N-513](#) [CTJ920E12N-513](#) [CTL-16-090](#) [RM300-000-581-0000](#) [CY4600-000](#) [CY4601-000](#) [38111-14-15SN](#) [38112-14-15PN](#) [MMA23-0111R1](#) [MMD25-0071P1](#) [33516062020](#) [33526M11-08PE](#) [DMC-M99-01AN](#) [Y59113WE20PNV00300](#) [ZPF000000000106310](#) [105979-31](#) [EN4165M01AD0G0](#)