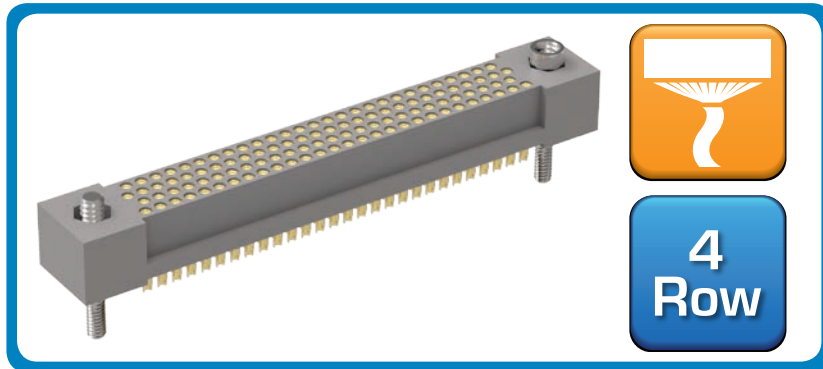


R Series

High-Density
0.075"
(1.905mm)



RM – Four-Row, I/O Receptacle

Contact Spacing: 0.075" (1.91 mm)

R-Series rugged & reliable I/O connectors are available with crimp-removable, solder-cup or single-layer flex termination options.

Sample Part Number Format: RM422-164-761-9601

RM	4	2	2	-	1	-		
SERIES 0.075" Plastic Rectangular Connector (Receptacle)	ROWS 4 – 4-Row (86-404 contacts)	STYLE 2 – Receptacle, straight without mounting ears	BODY MATERIAL 2 – Polyphenylene sulfide (PPS)	SIZE 086 – 86 contacts 110 – 110 contacts 164 – 164 contacts 196 – 196 contacts 204 – 204 contacts 220 – 220 contacts 250 – 250 contacts 276 – 276 contacts 300 – 300 contacts 404 – 404 contacts	PLATING 1 – Gold	TERMINATION 76 – Solder cup 77 – Flex circuit, 0.093" x 0.017" Ø*	HARDWARE 0256 – None 84 – Fixed jackset, reversed, #2-56 x 0.320" 91 – Guide sockets, full round, #2-56 x 0.247" 92 – Hex turning jackset, 0.200" 93 – Fixed jackset, #2-56 x 0.247" 94 – Fixed jackset, #2-56 x 0.320" 96 – Guide sockets, polarized, #2-56 x 0.320" ** 9601-9636 – Guide sockets, polarized, #2-56 x 0.320" 97 – Guide sockets, polarized, #2-56 x 0.247" ** 9701-9736 – Guide sockets, polarized, #2-56 x 0.247" 98 – Guide sockets, universal, #2-56 x 0.247"	POLARIZATION 00 – None XX – See page 141 for codes

Notes:

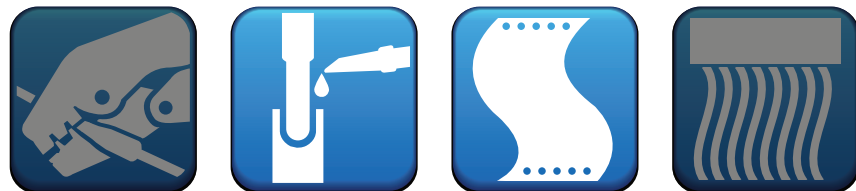
- ‡ Not RoHS-compliant
- ** This hardware option is packaged unassembled (uninstalled)

PLEASE CONSULT THE AIRBORN WEBSITE FOR THE LATEST REVISION OF THIS DOCUMENT PRIOR TO BEGINNING ANY DESIGN WORK.

Mates with

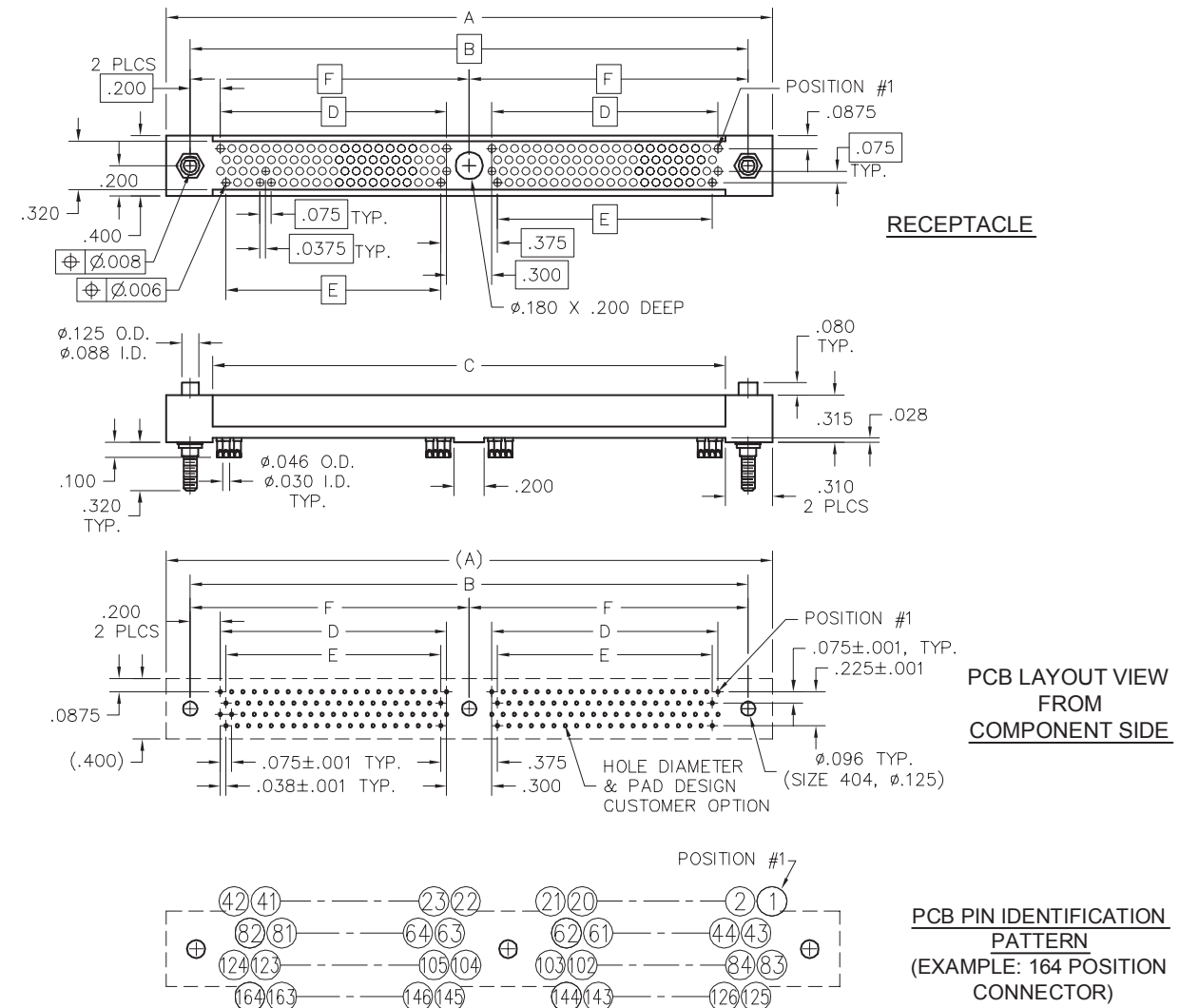
- RM412 — Four-row, straight plug
- RM452 — Four-row, right-angle plug
- RM412 — Four-row, I/O plug

Terminations



RM – Four-Row, I/O Receptacle

Plastic ▪ 4-Row ▪ 86-404 Contacts



NOTES:

- * = Single section, no center mounting hole

SIZE	DIMENSIONS					
	A	B	C	D	E	F
86*	2.255	1.975	1.655	1.575	1.500	—
110*	2.745	2.425	2.105	2.025	1.950	—
164	4.020	3.700	3.380	1.500	1.425	1.850
196	4.620	4.300	3.980	1.800	1.725	2.150
204	4.770	4.450	4.130	1.875	1.800	2.225
220	5.070	4.750	4.430	2.025	1.950	2.375
250*	5.370	5.050	4.730	4.650	4.575	—
276	6.120	5.800	5.480	2.550	2.475	2.900
300	6.570	6.250	5.930	2.775	2.700	3.125
404	8.520	8.200	7.880	3.750	3.675	4.100

PLEASE CONSULT THE AIRBORN WEBSITE FOR THE LATEST REVISION OF THIS DOCUMENT PRIOR TO BEGINNING ANY DESIGN WORK.

X-ON Electronics

Largest Supplier of Electrical and Electronic Components

Click to view similar products for [Rectangular MIL Spec Connectors](#) category:

Click to view products by [AirBorn](#) manufacturer:

Other Similar products are found below :

[891-011-15SA2-BSST](#) [CTS-S16/16](#) [65002-062](#) [CY4602-000](#) [732-8020-01](#) [77058-22-55PN](#) [81542-20](#) [86.030.0053.0](#) [1241346-1](#) [RM252-020-311-2900](#) [DMC-M 08-16 SA](#) [1589051-4](#) [MSO34MPK1E1](#) [BACC65CAMA](#) [BACC65CP1PN](#) [BACI10BC0816PNBA](#) [HSB-D4S03DM222X](#) [2217548-1](#) [891-006-9PS-BST1T](#) [891-009-15SA2-BRT1T](#) [27963-20T12](#) [SIM2N40NC3](#) [SIM2S100A](#) [1604996-2](#) [SMD25PN90L-4055](#) [1900ND08S1B00A](#) [22628-10-6P-791](#) [RE04-212S](#) [M32139/03-G05SN](#) [CTD160E01F-6148](#) [CTJ112E03B](#) [CTJ122E02D-8000](#) [CTJ-3D-12](#) [CTJ920E06N-513](#) [CTJ920E12N-513](#) [CTL-16-090](#) [RM300-000-581-0000](#) [CY4600-000](#) [CY4601-000](#) [38111-14-15SN](#) [38112-14-15PN](#) [MMA23-0111R1](#) [MMD25-0071P1](#) [33516062020](#) [33526M11-08PE](#) [DMC-M99-01AN](#) [Y59113WE20PNV00300](#) [ZPF000000000106310](#) [105979-31](#) [EN4165M01AD0G0](#)