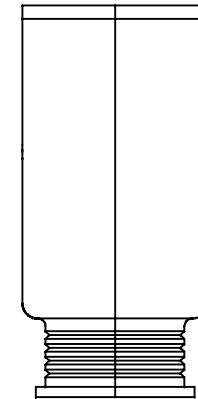
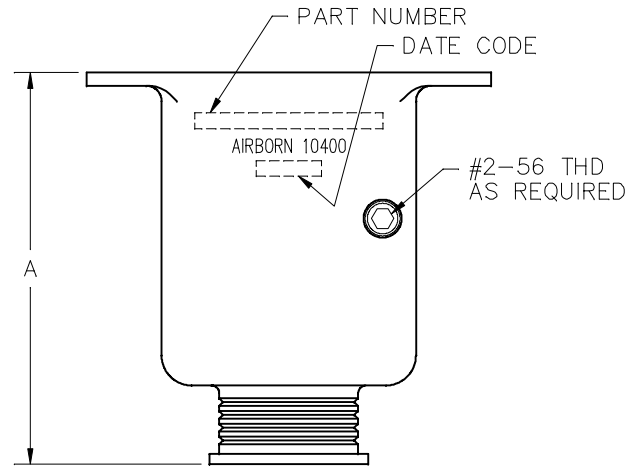


24 AWG				
POSITION	A	B	C	PART NUMBER
50	1.500	1.617	.475 CMA	RM620-050-000-0000-B97
100	2.000	2.152	.650 CMA	RM620-100-000-0000-B97
150	2.000	2.784	.786 CMA	RM620-150-000-0000-B97

20 AWG				
POSITION	A	B	C	PART NUMBER
50	2.000	2.152	.755 CMA	RP420-050-000-0000-B97
74	2.000	2.784	.907 CMA	RP420-074-000-0000-B97

① EACH HOOD WILL BE SUPPLIED WITH #2-56 UNC 2A SOCKET HEAD CAPSCREWS



NOTES:

① AT NEXT HIGHER LEVEL ASSEMBLY, THE HEAD OF THE FASTENER SHOULD BE PREVENTED FROM ROTATING BY APPLICATION OF EPOXY/STAKING.

<b>MATERIAL:</b> ALUMINUM 6061-T6 Temper: Per Spec. SAE-AMS-QQ-A-250/11 R/M P/N ref: Certification required: N/A <b>HEAT TREAT:</b> N/A Per Spec. Certification required: N/A <b>FINISH:</b> N/A Per Spec. Certification required: N/A MAKE FROM: N/A NEXT ASSY: N/A	UNLESS OTHERWISE SPECIFIED, TOLERANCES ARE: Decimals: .XX Concentricity: Decimals: .XXX = ±.010 Angles: ±5° Decimals: .XXXX = ±.0000 Radius: Parts to be symmetrical about centerline within ±.005 Surfaces to be flat, perpendicular, parallel within .010 T.I.R. Dimensions are in inches/DO NOT SCALE PRINT Surface finish to be √ or better.				<b>AirBorn</b> Georgetown, Texas 78626		Cage Code 10400
	E SEE ECO D ADD ITAR STATEMENT C ADD AIRBORN TO MARKING A REVISED AND RELEASED	TAD 051517 TAD 061410 KLH 110606 DR CDG9622	W55488 TAD 051517 W06361 TAD 061410 73696 KLH 110606 KLH 050100	DR. KLH 042600 CK. KLH 050100 APPD. KLH 050100	Plot Scale 2 : 1 APPLICATION: 075 SERIES	TITL E 2-PC HOOD ASSEMBLY 180° CABLE EXIT WITH NECK	SIZE B
▶ = CRITICAL CHARACTERISTIC ● = MAJOR CHARACTERISTIC	THIRD ANGLE PROJECTION	REV	DESCRIPTION	DR.BY DATE ECO NO. APPD. BY	DWG # CDG9622	REV. E SHEET 1/1	

This documentation contains technical data whose export is governed by the U.S. Export Administration Regulations (EAR). Diversion contrary to U.S. law is prohibited.

BERMT REV F 100201 SEC

## X-ON Electronics

Largest Supplier of Electrical and Electronic Components

*Click to view similar products for [Rectangular MIL Spec Connectors](#) category:*

*Click to view products by [AirBorn](#) manufacturer:*

Other Similar products are found below :

[891-011-15SA2-BSST](#) [CTS-S16/16](#) [65002-062](#) [CY4602-000](#) [732-8020-01](#) [77058-22-55PN](#) [81542-20](#) [86.030.0053.0](#) [1241346-1](#) [RM252-020-311-2900](#) [DMC-M 08-16 SA](#) [1589051-4](#) [MSO34MPK1E1](#) [BACC65CAMA](#) [BACC65CP1PN](#) [BACI10BC0816PNBA](#) [HSB-D4S03DM222X](#) [2217548-1](#) [891-006-9PS-BST1T](#) [891-009-15SA2-BRT1T](#) [27963-20T12](#) [SIM2N40NC3](#) [SIM2S100A](#) [1604996-2](#) [SMD25PN90L-4055](#) [1900ND08S1B00A](#) [22628-10-6P-791](#) [RE04-212S](#) [M32139/03-G05SN](#) [CTD160E01F-6148](#) [CTJ112E03B](#) [CTJ122E02D-8000](#) [CTJ-3D-12](#) [CTJ920E06N-513](#) [CTJ920E12N-513](#) [CTL-16-090](#) [CY4600-000](#) [CY4601-000](#) [38111-14-15SN](#) [38112-14-15PN](#) [MMA23-0111R1](#) [MMD25-0071P1](#) [33516062020](#) [33526M11-08PE](#) [DMC-M99-01AN](#) [Y59113WE20PNV00300](#) [ZPF000000000106310](#) [105979-31](#) [EN4165M01AD0G0](#) [EN4165M01AN0G0](#)