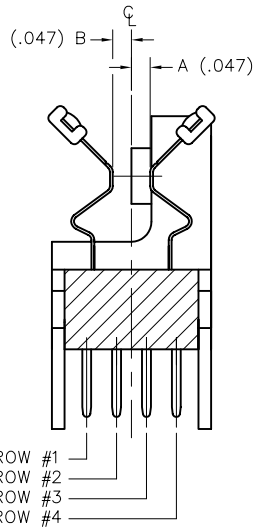
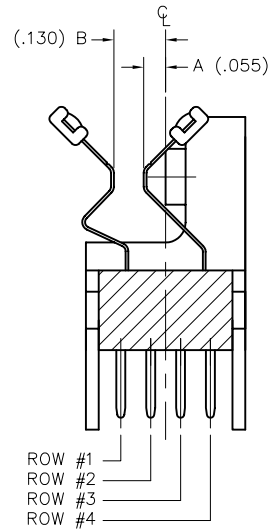


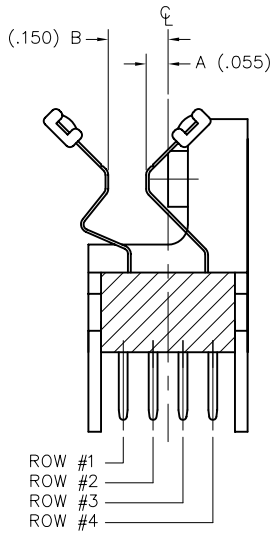
SMT Configuration Options



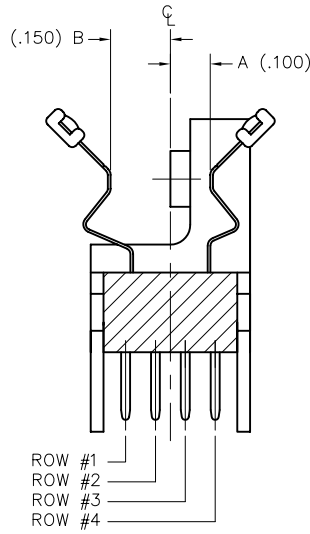
STYLE 933



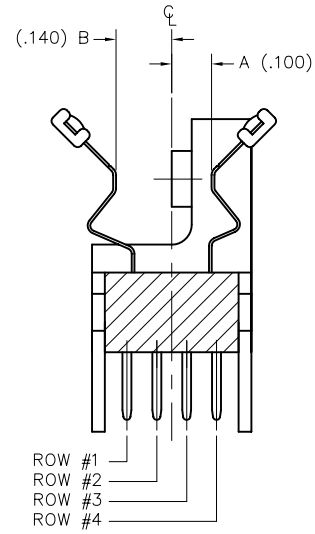
STYLE 925



STYLE 927



STYLE 947



STYLE 946

DISTANCE FROM ϕ (A)

- 1 .005
- 2 .055

DISTANCE FROM ϕ (A OR B)

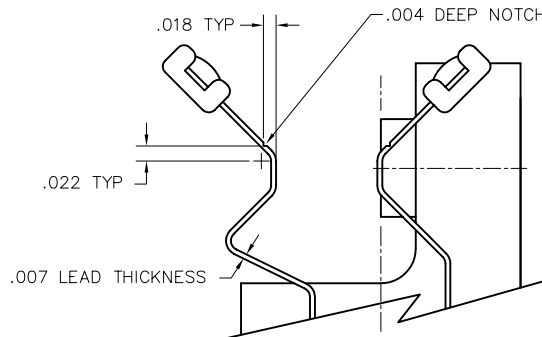
- 3 .047
- 4 .100
- 5 .130
- 6 .140
- 7 .150
- 8 .070
- 9 .080

DISTANCE FROM ϕ (B)

- 0 .090

NOTES:

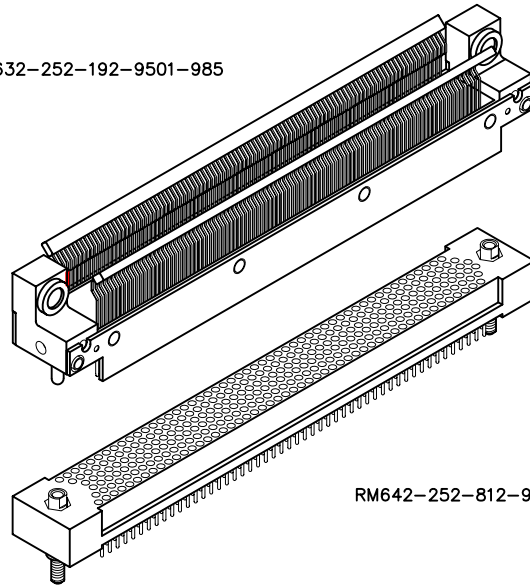
1. Various board thicknesses can be accommodated by specifying A and B designators. For example: 9 (A)(B)
2. Consult factory for other available options.



CONTACT NOTCH DETAIL



RM632-252-192-9501-985



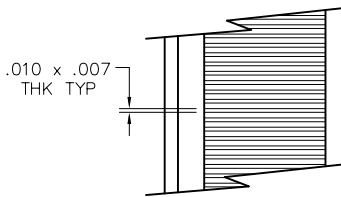
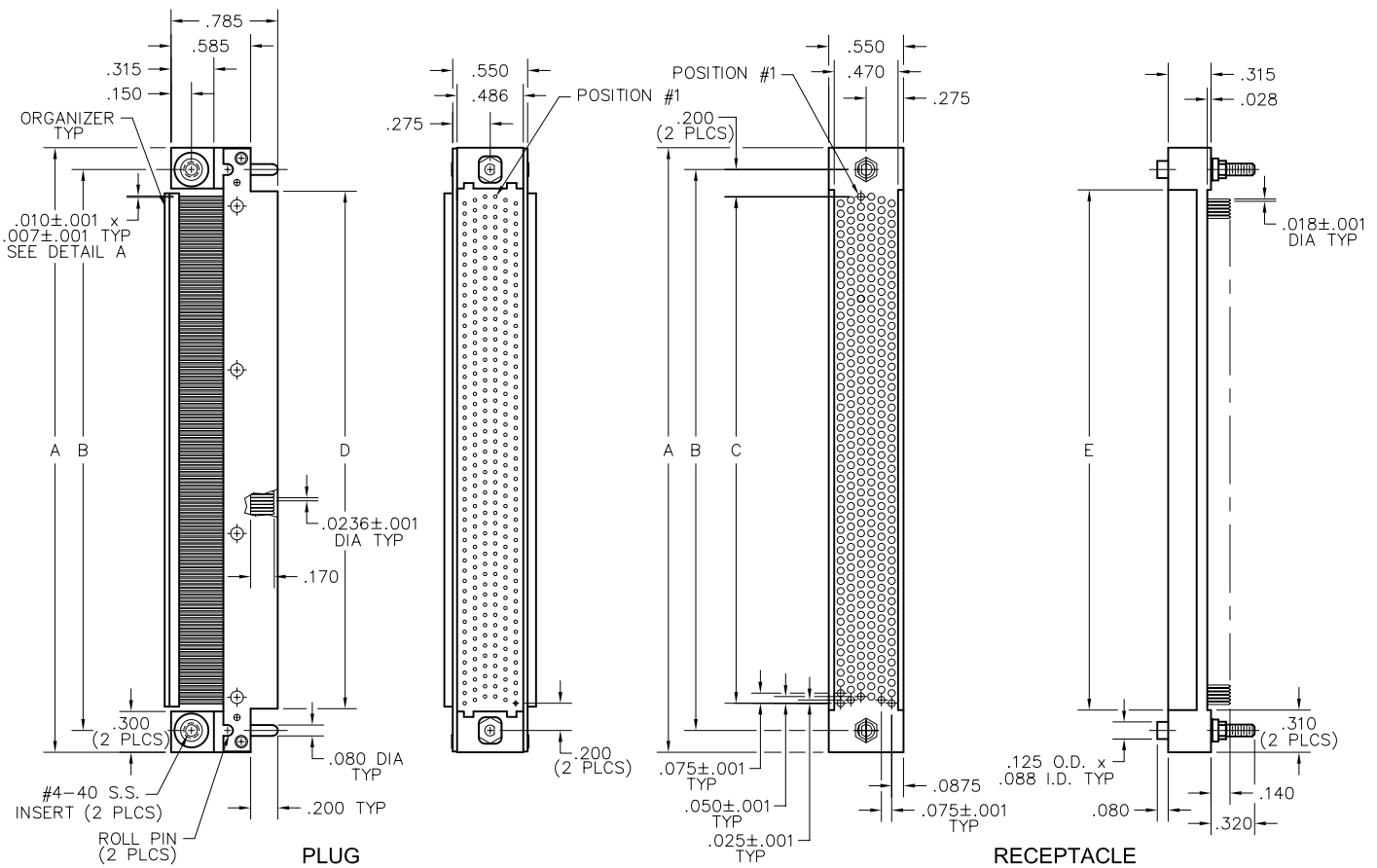
RM642-252-812-9601

6 • ROW Daughterboard to Motherboard or Chassis

.075"

RM6

162 thru 402 Contacts



DETAIL A

DIMENSIONS					
SIZE	A	B	C	D	E
162	2.720	2.400	2.000	2.080	2.100
204	3.245	2.925	2.525	2.605	2.625
252	3.845	3.525	3.125	3.205	3.225
300	4.445	4.125	3.725	3.805	3.825
360	5.195	4.875	4.475	4.550	4.575
402	5.720	5.400	5.000	5.080	5.100

PLUG: RM632-252-192-9501-985
RECEPTACLE: RM642-252-812-9601
 XXXXX-XXX-XXX-XXXX-XXX

PLUG

RECEPTACLE

SERIES	
RM .075" Screw Machine PC Connector	RM .075" Screw Machine PC Connector

BODY	
6 6-Row	6 6-Row
BODY STYLE: 3 Plug, straight, with mounting ears	BODY STYLE: 4 Receptacle, straight, with mounting ears
BODY MATERIAL: 2 Polyphenylene sulfide (PPS)	BODY MATERIAL: 2 Polyphenylene sulfide (PPS)

SIZE	
162, 204, 252, 300, 360, 402	162, 204, 252, 300, 360, 402

CONTACTS	
TYPE CONTACTS/TERMINATIONS: 19 Pin, SMT, .014" x .007" tail, scored for organizer removal (see R-56) 39 Pin, SMT, .014" x .007" tail, unscored	TYPE CONTACTS/TERMINATIONS: 75 Socket, straight, dip solder, .250" x .018" dia 76 Socket, straight, solder cup 77 Socket, straight, flex, .093" x .017" dia 81 Socket, straight, dip solder, .109" x .018" dia 82 Socket, straight, dip solder, .140" x .018" dia 83 Socket, straight, dip solder, .172" x .018" dia 87 Socket, straight, press-fit, .188" (Board: .093" - .125" thk) 88 Socket, straight, press-fit, .308" (Board: .156" - .200" thk) 89 Socket, straight, press-fit, .388" (Board: .250"+ thk)
PLATING OPTIONS: 2 Pre-tinned termination, SnPb alloy <input checked="" type="checkbox"/> 3 Pre-tinned termination, SAC305 alloy	PLATING OPTIONS: 1 Gold plated termination 2 Pre-tinned termination, SnPb alloy (dip solder options only) <input checked="" type="checkbox"/> 3 Pre-tinned termination, SAC305 alloy (dip solder options only)

HARDWARE	
STYLE OF HARDWARE: 0256 None 83 Fixed jackset, reversed, installed 90 Guide pins, full round, installed 93 Fixed jackset, installed 95 Guide pins, polarized, unassembled 9501 - 9536 Guide pins, polarized, installed 99 Guide pins, universal, installed	STYLE OF HARDWARE: 0256 None 82 Hex turning jackset, reversed, installed, .200 knob 83 Fixed jackset, reversed, installed, #2-56 x .247" thd ext 84 Fixed jackset, reversed, installed, #2-56 x .320" thd ext 91 Guide sockets, full round, installed, #2-56 x .247" thd ext 92 Hex turning jackset, installed, .200 knob 93 Fixed jackset, installed, #2-56 x .247" thd ext 94 Fixed jackset, installed, #2-56 x .320" thd ext 96 Guide sockets, polarized, unassembled, #2-56 x .320" thd ext 9601 - 9636 Guide sockets, polarized, installed, #2-56 x .320" thd ext 97 Guide sockets, polarized, unassembled, #2-56 x .247" thd ext 9701 - 9736 Guide sockets, polarized, installed, #2-56 x .247" thd ext 98 Guide sockets, universal, installed, #2-56 x .247" thd ext
POLARIZATION: 00 None 01 thru 36 are special identifiers, see page R-57	POLARIZATION: 00 None 01 thru 36 are special identifiers, see page R-57

OPTIONS	
9XX SMT configuration code, see page R-56	

= Option not RoHS compliant

6 • ROW

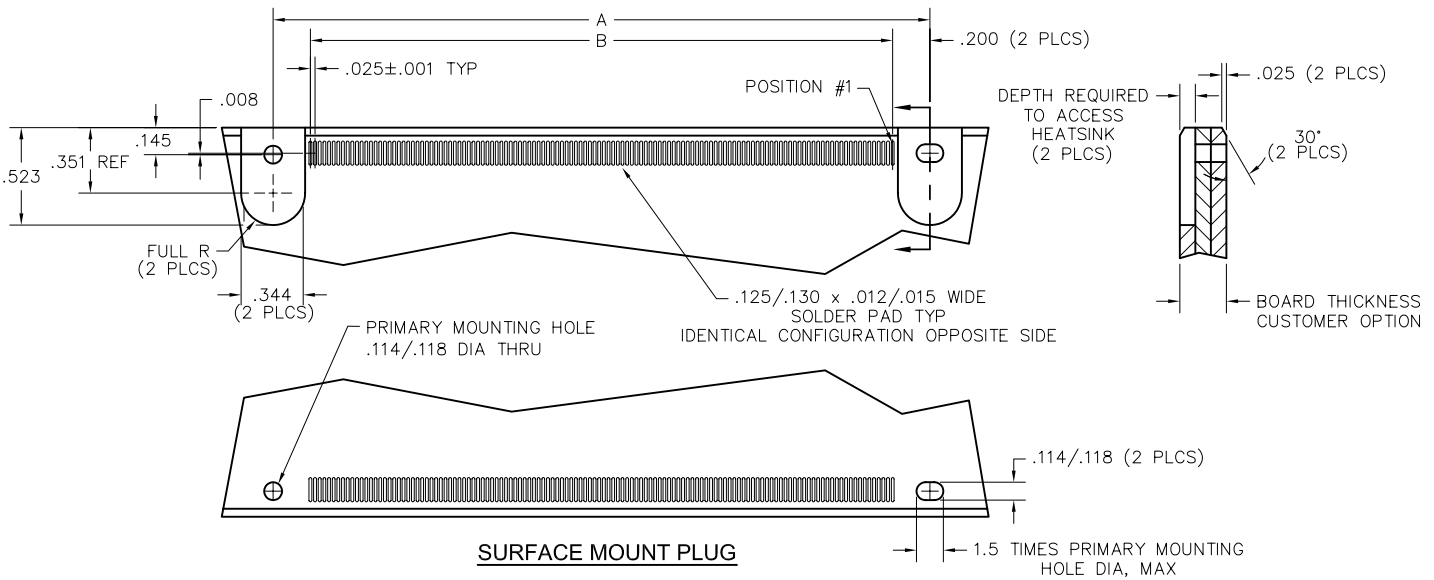
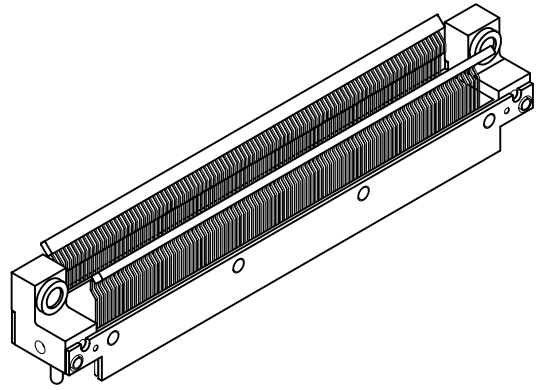
Straight SMT Plug

.075"

RM6

162 thru 402 Contacts
Recommended Board Layout

DIMENSIONS		
SIZE	A	B
162	2.400	2.000
204	2.925	2.525
252	3.525	3.125
300	4.125	3.725
360	4.875	4.475
402	5.400	5.000



SURFACE MOUNT PLUG

SIZE	CONTACT ID	SIZE	CONTACT ID
162	C162	300	C300
	C161		C299
	C160		C149
	C159		C148
C81	C86	C147	C297
C80	C85	C146	C296
C79	C84	C5	C155
C78	C83	C4	C154
C77	C82	C3	C153
		C2	C152
		C1	C151
204	C204	360	C360
	C203		C359
	C202		C185
	C201		C184
C102	C107	C180	C179
C101	C106	C178	C358
C99	C105	C177	C357
C98	C104	C176	C356
		C5	C183
		C4	C182
		C3	C181
		C2	
		C1	
252	C252	402	C402
	C251		C401
	C250		C206
	C249		C205
C248	C131	C4	C204
	C130	C3	C203
	C129	C2	C202
	C128	C1	
	C127		
		C201	
		C199	
		C198	
		C197	
		C196	
		C195	
		C194	
		C193	
		C192	
		C191	
		C190	
		C189	
		C188	
		C187	
		C186	
		C185	
		C184	
		C183	
		C182	
		C181	

X-ON Electronics

Largest Supplier of Electrical and Electronic Components

Click to view similar products for [Rectangular MIL Spec Connectors](#) category:

Click to view products by [AirBorn](#) manufacturer:

Other Similar products are found below :

[891-011-15SA2-BSST](#) [CTS-S16/16](#) [65002-062](#) [CY4602-000](#) [732-8020-01](#) [77058-22-55PN](#) [81542-20](#) [86.030.0053.0](#) [1241346-1](#) [RM252-020-311-2900](#) [DMC-M 08-16 SA](#) [1589051-4](#) [MSO34MPK1E1](#) [BACC65CAMA](#) [BACC65CP1PN](#) [BACI10BC0816PNBA](#) [HSB-D4S03DM222X](#) [2217548-1](#) [891-006-9PS-BST1T](#) [891-009-15SA2-BRT1T](#) [27963-20T12](#) [SIM2N40NC3](#) [SIM2S100A](#) [1604996-2](#) [SMD25PN90L-4055](#) [1900ND08S1B00A](#) [22628-10-6P-791](#) [RE04-212S](#) [M32139/03-G05SN](#) [CTD160E01F-6148](#) [CTJ112E03B](#) [CTJ122E02D-8000](#) [CTJ-3D-12](#) [CTJ920E06N-513](#) [CTJ920E12N-513](#) [CTL-16-090](#) [CY4600-000](#) [CY4601-000](#) [38111-14-15SN](#) [38112-14-15PN](#) [MMA23-0111R1](#) [MMD25-0071P1](#) [33516062020](#) [33526M11-08PE](#) [DMC-M99-01AN](#) [Y59113WE20PNV00300](#) [ZPF000000000106310](#) [105979-31](#) [EN4165M01AD0G0](#) [EN4165M01AN0G0](#)