

PLUG: WGDVA 80 P SY  
 RECEPTACLE: WGDXA 80 S SY  
 XXXX XX XXX XX

**PLUG**

**RECEPTACLE**

**SERIES**

<p>WGDVA Plug, straight, crimp removable, without mounting ears</p> <ul style="list-style-type: none"> <li>WGDVA and WGDXA also mate with WG or WGV connectors. "A" means contacts are included.</li> </ul>	<p>WGDXA Receptacle, straight, crimp removable, without mounting ears</p>
---	---

**SIZE**

XX Number of contacts (50, 62, 80, 92, 104 or 160)	XX Number of contacts (50, 62, 80, 92, 104 or 160)
--	--

**CONTACTS**

- The use of gaskets is not recommended with crimp socket contacts.
- When using crimp contacts with 20 gage barrel, barrel must be cut off prior to removing contact from connector body.

**TYPE CONTACTS/TERMINATIONS:**

P Pin, straight, crimp removable, 22 AWG  
 S Socket, straight, crimp removable, 22 AWG  
 SA Same as above

**TYPE CONTACTS/TERMINATIONS:**

S Socket, straight, crimp removable, 22 AWG  
 SA Same as above  
 P Pin, straight, crimp removable, 22 AWG

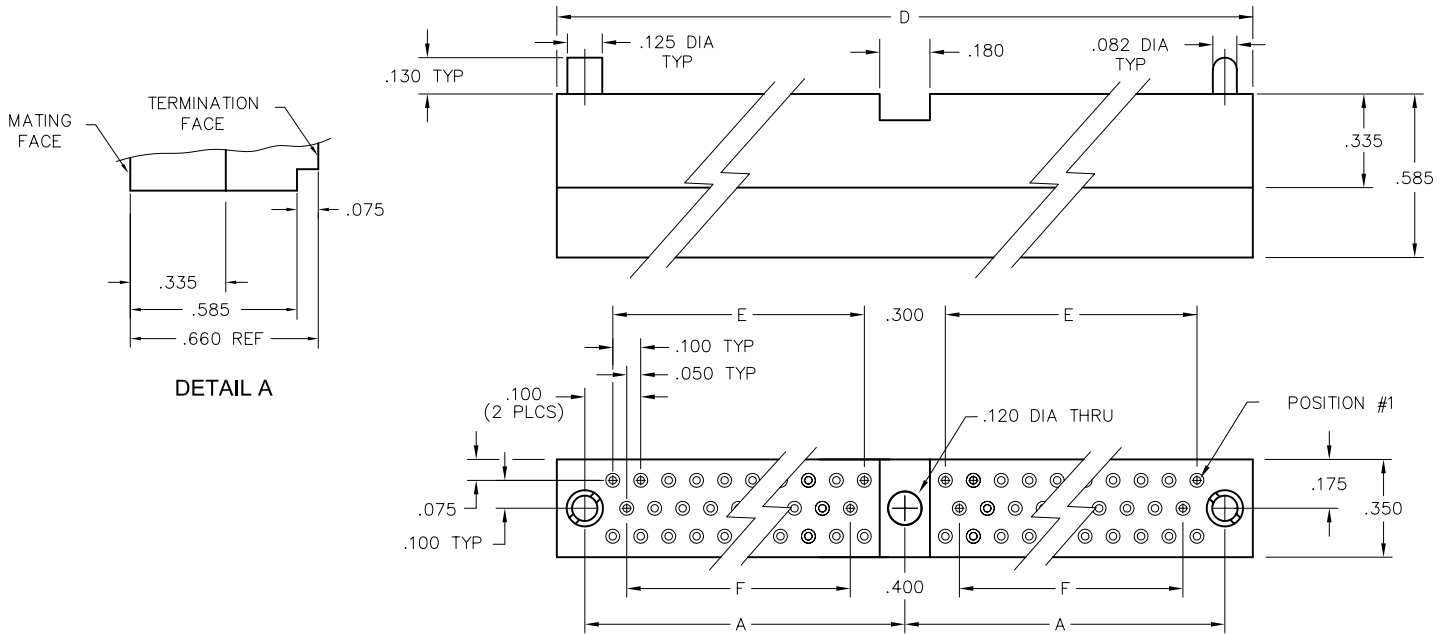
**HARDWARE**

SY Guide set  
 SY-# Guide set, polarized  
 J Fixed jackset  
 JT Turning jackset, .500"  
 JTA Turning jackset, .200"  
 JTB Hex turning jackset, .200"  
 JTC Hex turning jackset, .500"  
 JTL Turning jackset, long, .700"

SY Guide set  
 SY-# Guide set, polarized  
 J Fixed jackset  
 JT Turning jackset, .500"  
 JTA Turning jackset, .200"  
 JTB Hex turning jackset, .200"  
 JTC Hex turning jackset, .500"  
 JTL Turning jackset, long, .700"

**OPTIONS**

- Option Codes: Add to the end of the part number. Example: WGDXA80SSY-C45. Call factory for additional codes.
- A53 Socket, straight, crimp removable, 20 AWG
- C45 Additional .075" material at termination face for strain relief of crimped wires (22 AWG only). See Detail A below.



EXAMPLE: WGDXA160SSY

## X-ON Electronics

Largest Supplier of Electrical and Electronic Components

*Click to view similar products for [Rectangular MIL Spec Connectors](#) category:*

*Click to view products by [AirBorn](#) manufacturer:*

Other Similar products are found below :

[891-011-15SA2-BSST](#) [CTS-S16/16](#) [65002-062](#) [CY4602-000](#) [732-8020-01](#) [77058-22-55PN](#) [81542-20](#) [86.030.0053.0](#) [1241346-1](#) [RM252-020-311-2900](#) [DMC-M 08-16 SA](#) [1589051-4](#) [MSO34MPK1E1](#) [BACC65CAMA](#) [BACC65CP1PN](#) [BACI10BC0816PNBA](#) [HSB-D4S03DM222X](#) [2217548-1](#) [891-006-9PS-BST1T](#) [891-009-15SA2-BRT1T](#) [27963-20T12](#) [SIM2N40NC3](#) [SIM2S100A](#) [1604996-2](#) [SMD25PN90L-4055](#) [1900ND08S1B00A](#) [22628-10-6P-791](#) [RE04-212S](#) [M32139/03-G05SN](#) [CTD160E01F-6148](#) [CTJ112E03B](#) [CTJ122E02D-8000](#) [CTJ-3D-12](#) [CTJ920E06N-513](#) [CTJ920E12N-513](#) [CTL-16-090](#) [CY4600-000](#) [CY4601-000](#) [38111-14-15SN](#) [38112-14-15PN](#) [MMA23-0111R1](#) [MMD25-0071P1](#) [33516062020](#) [33526M11-08PE](#) [DMC-M99-01AN](#) [Y59113WE20PNV00300](#) [ZPF000000000106310](#) [105979-31](#) [EN4165M01AD0G0](#) [EN4165M01AN0G0](#)