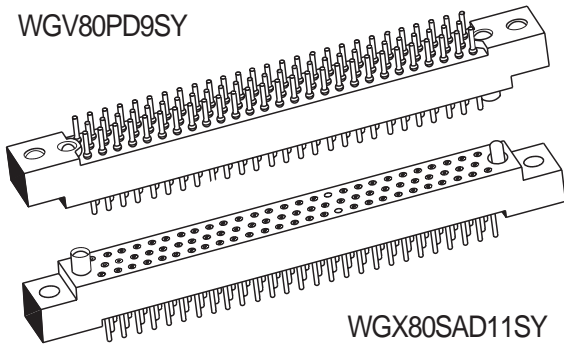


3 • ROW Connectors

Sandwich
Boards or to
PC Card

WGV-WGX



Examples:

PLUG: WGV 80 PD9 SY
WTBT WGX 80 SAD11 SY

RECEPTACLE:

PLUG

RECEPTACLE

SERIES

WGV = 3-row, straight, plug, mounting ears

WGX = 3-row, straight, receptacle, mounting ears
WGX = 3-row, right-angle, receptacle, mounting ears

NUMBER OF CONTACTS

50, 62, 80, 92, 104

50, 62, 80, 92, 104

TYPE OF CONTACTS

- Pin or socket contacts can be used in either receptacle.
- When pin contacts are used, standard hardware orientation places the female hardware next to the #1 position.
- When socket contacts are used, standard hardware orientation places the male hardware next to the #1 socket position.

PC = Pin, straight, solder cup	SAC = Socket, straight, solder cup
PD7 = Pin, straight, dip solder, .109	SAD7 = Socket, straight, dip solder, .109
PD9 = Pin, straight, dip solder, .140	SAD9 = Socket, straight, dip solder, .140
PD11 = Pin, straight, dip solder, .172	SAD11 = Socket, straight, dip solder, .172
PD13 = Pin, straight, dip solder, .203	SAF3 = Socket, straight, flex-circuit, .050
PF3 = Pin, straight, flex-circuit, .050	SAF6 = Socket, straight, flex-circuit, .093
PF6 = Pin, straight, flex-circuit, .093	SAF9 = Socket, straight, flex-circuit, .140
PF8 = Pin, straight, flex-circuit, .125	SAP = Socket, straight, pin termination, .150, connector saver
PW34 = Pin, straight, wire wrap, .531	SAW24 = Socket, straight, wire wrap, .375
PW40 = Pin, straight, wire wrap, .625	SAW40 = Socket, straight, wire wrap, .625
	SOR7 = Socket, right-angle, dip solder, .109, see page W-39.
	SOR9 = Socket, right-angle, dip solder, .140, see page W-39.
	SOR11 = Socket, right-angle, dip solder, .172, see page W-39.

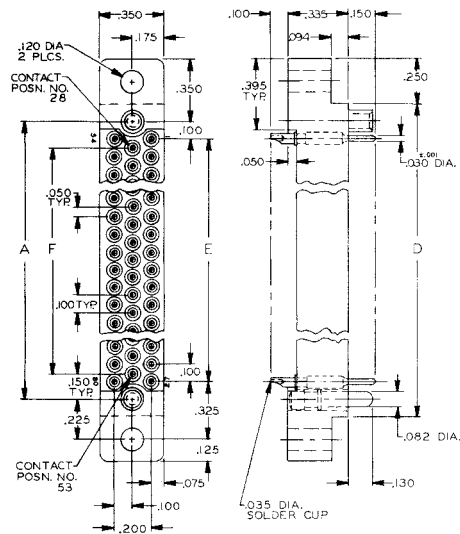
TYPE OF HARDWARE

- Plug facial seal gaskets and hoods; order separately or add "Q" in part number. Example: WTA10PD9QJ. See "Gaskets" and "Hoods" under next tab for instructions.

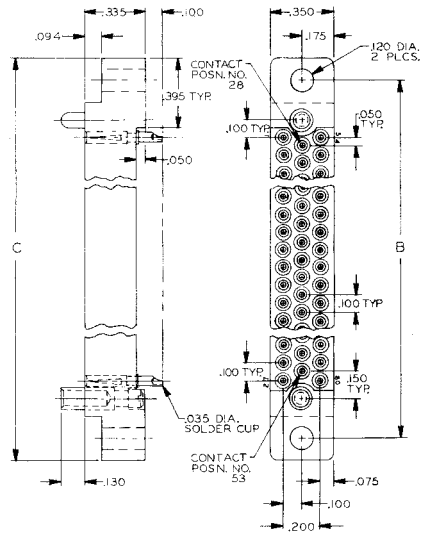
SY = Guide Set	SY = Guide Set
SY-# = Guide Set, polarized	SY-# = Guide Set, polarized
SYL = Guide Set, long	SYL = Guide Set, long
JT = Turning jackset, .500	J = Fixed jackset
JTA = Turning jackset, .200	JL = Fixed jackset, long
JTB = Hex turning jackset, .200	
JTC = Turning jackset, .500	
JTL = Long turning jackset, .700	

OPTIONS

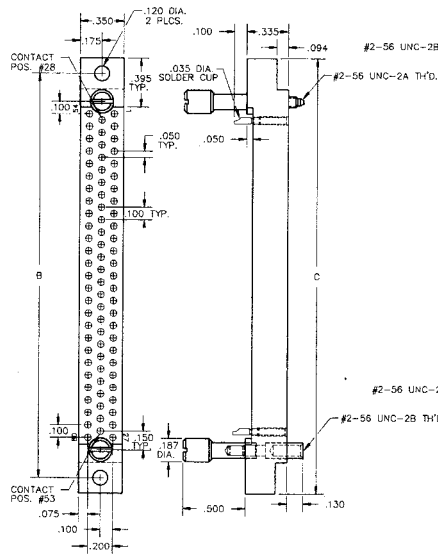
- OPTION CODES: Add to the end of the part number. Example: WGV80PD9SY342. Call factory for additional codes.
- 342: Remove .250 mounting ears.
- D01: Pre-tin contact terminations. (Solder cup, wire wrap and flex circuit contacts are excluded.)
- G69: Solder cups are fixed in an outward orientation, otherwise contacts can rotate.



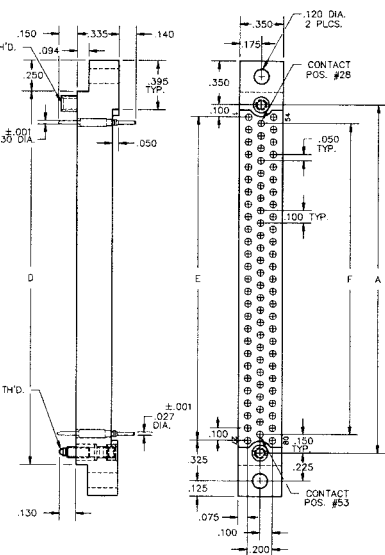
EXAMPLE: WGVB0PCSY



EXAMPLE: WGXB0SACS



EXAMPLE: WGVB0SACJT



EXAMPLE: WGXB0P09J

WGV-WGX Dimensions

SIZE	A BASIC	B BASIC	C ±.010	D REF	E BASIC	F BASIC
50	1.800	2.250	2.500	2.000	1.600	1.500
62	2.200	2.650	2.900	2.400	2.00	1.900
80	2.800	3.250	3.500	3.000	2.600	2.500
92	3.200	3.650	3.900	3.400	3.000	2.900
104	3.600	4.050	4.300	3.800	3.400	3.300

X-ON Electronics

Largest Supplier of Electrical and Electronic Components

Click to view similar products for [Rectangular MIL Spec Connectors](#) category:

Click to view products by [AirBorn](#) manufacturer:

Other Similar products are found below :

[891-011-15SA2-BSST](#) [CTS-S16/16](#) [65002-062](#) [CY4602-000](#) [732-8020-01](#) [77058-22-55PN](#) [81542-20](#) [86.030.0053.0](#) [1241346-1](#) [RM252-020-311-2900](#) [DMC-M 08-16 SA](#) [1589051-4](#) [MSO34MPK1E1](#) [BACC65CAMA](#) [BACC65CP1PN](#) [BACI10BC0816PNBA](#) [HSB-D4S03DM222X](#) [2217548-1](#) [891-006-9PS-BST1T](#) [891-009-15SA2-BRT1T](#) [27963-20T12](#) [SIM2N40NC3](#) [SIM2S100A](#) [1604996-2](#) [SMD25PN90L-4055](#) [1900ND08S1B00A](#) [22628-10-6P-791](#) [RE04-212S](#) [M32139/03-G05SN](#) [CTD160E01F-6148](#) [CTJ112E03B](#) [CTJ122E02D-8000](#) [CTJ-3D-12](#) [CTJ920E06N-513](#) [CTJ920E12N-513](#) [CTL-16-090](#) [RM300-000-581-0000](#) [CY4600-000](#) [CY4601-000](#) [38111-14-15SN](#) [38112-14-15PN](#) [MMA23-0111R1](#) [MMD25-0071P1](#) [33516062020](#) [33526M11-08PE](#) [DMC-M99-01AN](#) [Y59113WE20PNV00300](#) [ZPF000000000106310](#) [105979-31](#) [EN4165M01AD0G0](#)