



Welcome to the World of AirBorn Interconnect Solutions

CATALOG PAGES CURRENT AS OF APRIL 2012 FOR MOST CURRENT CATALOG
VISIT US AT WWW.AIRBORN.COM OR CLICK THE PAGE REVISION

AirBorn has been manufacturing high reliability interconnect systems for more than 45 years with leading-edge, innovative technology that is more reliable and better-performing than practically all other alternatives.

Our advanced technologies, experienced design support, incomparable lead times and personalized customer service and support provide customers with complete solutions to a vast array of highly specialized design requirements in diverse markets and applications.

You will find in this catalog technical drawings and specification information that will help you solve your interconnection needs from the design stage through production specification.

The products in this catalog are organized by the AirBorn part number assigned to them.

Each connector part number identifies four elements:

- AirBorn Series
- Size (number of contacts)
- Contact Type
- Hardware Type

Each catalog page shows the choices available for each of these elements. By selecting one option from any category on the page, you can build a set of connectors to meet your requirements.

If you do not find a particular connector size or option, please contact AirBorn for further assistance. AirBorn can manufacture special configurations for your exact specifications.

When everything matters, go AirBorn.

www.AirBorn.com

AirBorn International LTD

Mercury House, Station Road
Edenbridge. Kent. TN8 6HL
United Kingdom

Phone: +44 (0)1732 864930
E-mail: cs@airbo_int.com

AirBorn

4321 AirBorn Drive
Addison, TX 75001-0519
United States

Phone: (972) 931-3200
Fax: (972) 931-9305
E-mail: info@airborn.com

AirBorn

3500 AirBorn Circle
Georgetown, TX 78626
United States

Phone: (512) 863-5585
Fax: (512) 863-8259
E-mail: info@airborn.com

"W" SERIES - .100"
MIL-C-55302
See pages W-7 thru W-86

"WB" SERIES - .050"
MIL-C-55302
See pages WB-1 thru WB-13

"W" SERIES ACCESSORIES
See pages WA-1 thru WA-25



"W" SERIES - .100"
MIL-C-55302



Mating Matrix for AirBorn "W" Series Connectors

SOCKETS

P
I
N
S

| SERIES | WT | WTA (F) | WTAX | WTB | WTBT | WTDX | WTK | WG | WGA | WGDV | WGK | WGR | WRD | WRDDX | WRF |
|---------|----|---------|------|-----|------|------|-----|----|-----|------|-----|-----|-----|-------|-----|
| WT | X | | | | | | | | | | | | | | |
| WTA (T) | | X | | X | X | X | X | | | | | | | | |
| WTAV | | | X | X | X | X | X | | | | | | | | |
| WTB*P | | X | X | X | X | X | X | | | | | | | | |
| WTBV | | X | X | X | X | X | X | | | | | | | | |
| WTDV | | X | X | X | X | X | X | | | | | | | | |
| WTKV | | X | X | X | X | X | X | | | | | | | | |
| WG*P | | | | | | | | X | | X | X | | | | |
| WGV | | | | | | | | X | | X | X | | | | |
| WGA*P | | | | | | | | | X | | | | | | |
| WGA | | | | | | | | | X | | | | | | |
| WGDV | | | | | | | | X | | X | X | | | | |
| WGKV | | | | | | | | X | | X | X | | | | |
| WGR | | | | | | | | | | | | X | | | |
| WRD*P | | | | | | | | | | | | | X | X | |
| WRDV | | | | | | | | | | | | | X | X | |
| WRF | | | | | | | | | | | | | | | X |

I/O CONNECTORS WT, WTA, WTAX, WTDX, WTK, WG, WGA, WGDV, WGK, WRD, WRDDX, WRF

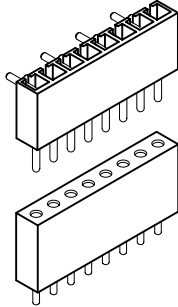
PCB CONNECTORS WT, WTA, WTAX, WTB, WTBT, WG, WGA, WRD, WRF

(T) = TURNING HARDWARE

(F) = FIXED HARDWARE

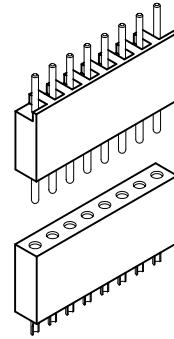
Daughterboard to Motherboard or Chassis

Right angle plug to
straight receptacle



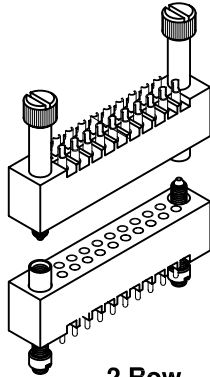
1 Row
Sizes: 3 thru 22
Page: W-11

Straight plug to
straight receptacle



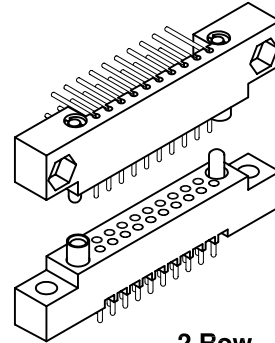
1 Row
Sizes: 3 thru 22
Page: W-13

Cable to
board or panel



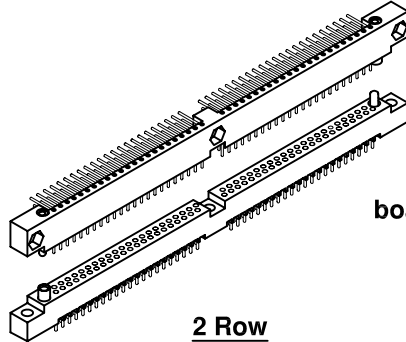
2 Row
Sizes: 10 thru 70
Page: W-15

PC card to
board or chassis



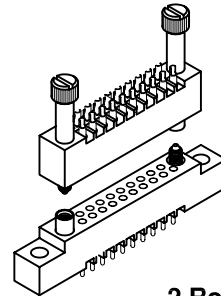
2 Row
Sizes: 10 thru 70
Page: W-19

PC card to
board or chassis



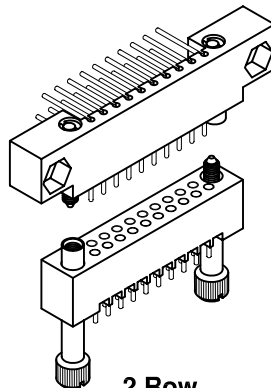
2 Row
Sizes: 90, 100 & 120
Page: W-21

Cable to
board or PC card



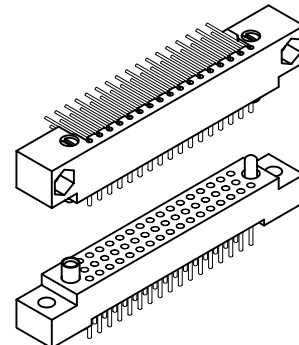
2 Row
Sizes: 10 thru 70
Page: W-27

PC card to
board or PC card



2 Row
Sizes: 10 thru 70
Page: W-29

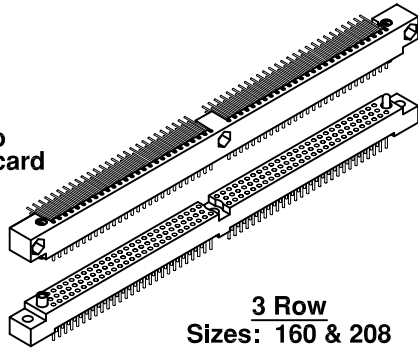
PC card to
board or chassis



3 Row
Sizes: 50 thru 104
Page: W-43

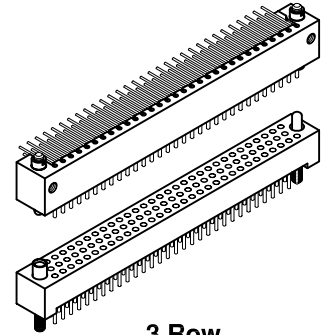
Daughterboard to Motherboard or Chassis

PC card to
board or PC card



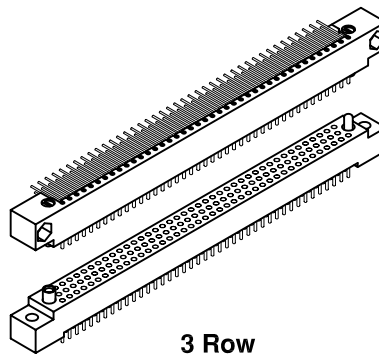
3 Row
Sizes: 160 & 208
Page: W-47

PC card to
board or chassis



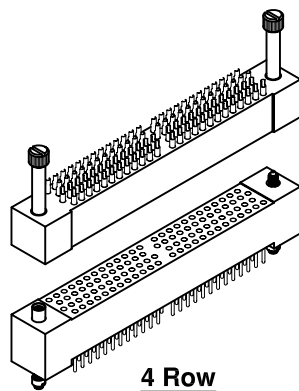
3 Row
Sizes: 92
Page: W-53

PC card to
board or chassis



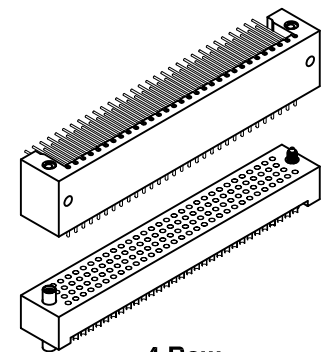
3 Row
Sizes: 122
Page: W-55

Cable to
board or panel



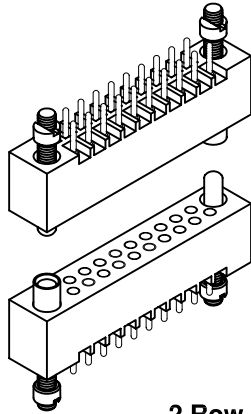
4 Row
Sizes: 100
Page: W-59

PC card to
board or chassis

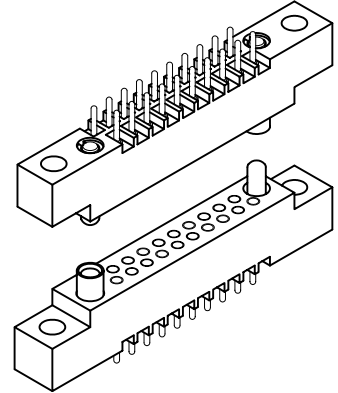


4 Row
Sizes: 122
Page: W-61

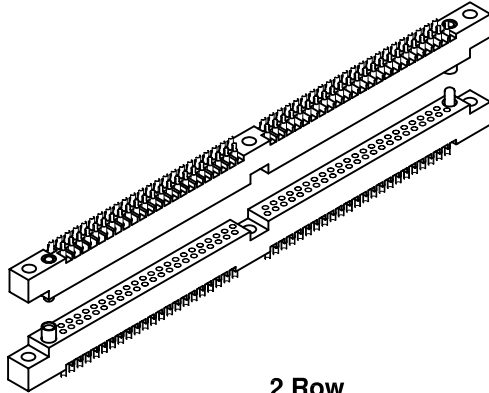
Sandwich Boards



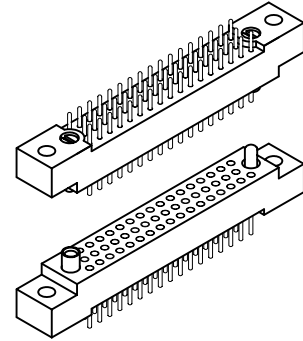
2 Row
Sizes: 10 thru 70
Page: W-17



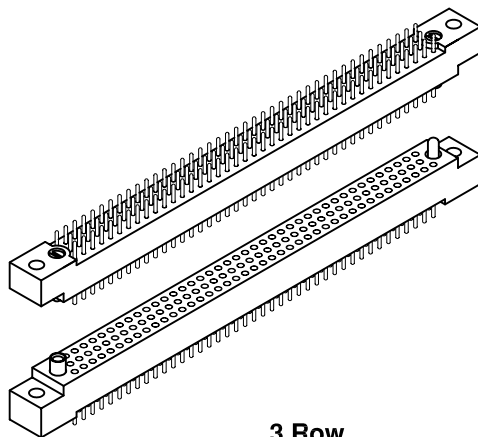
2 Row
Sizes: 10 thru 70
Page: W-23



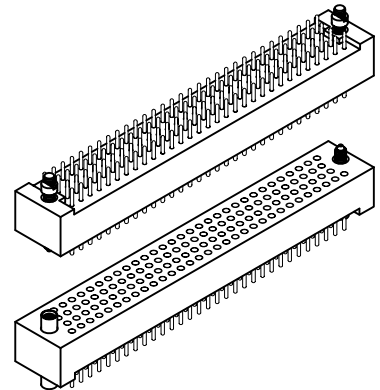
2 Row
Sizes: 90 & 100
Page: W-25



3 Row
Sizes: 50 thru 104
Page: W-45



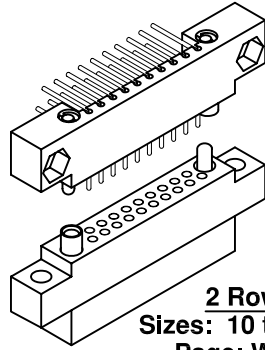
3 Row
Sizes: 122
Page: W-57



4 Row
Sizes: 122
Page: W-63

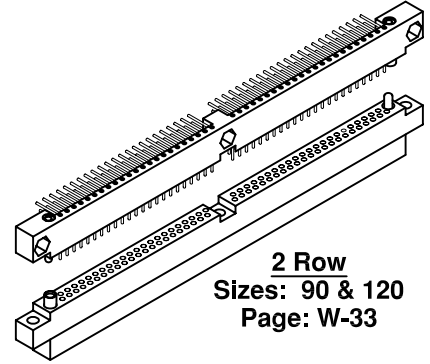
Crimp Removable

PC card to chassis



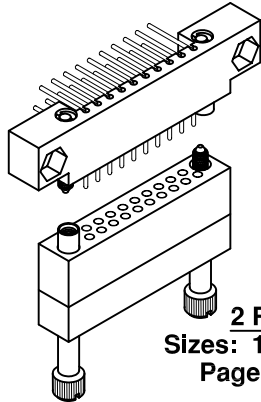
2 Row
Sizes: 10 thru 70
Page: W-31

PC card to chassis



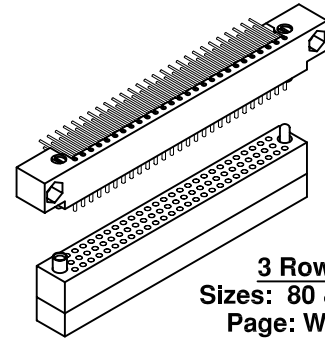
2 Row
Sizes: 90 & 120
Page: W-33

PC card to board



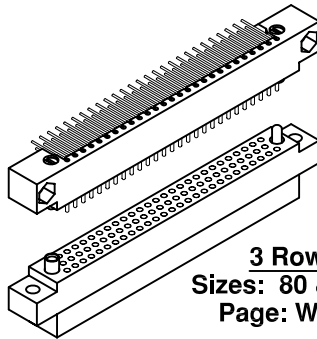
2 Row
Sizes: 10 thru 70
Page: W-35

PC card to chassis



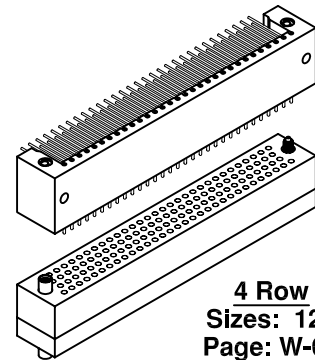
3 Row
Sizes: 80 & 160
Page: W-51

PC card to chassis



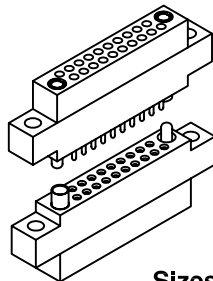
3 Row
Sizes: 80 & 160
Page: W-49

PC card to cable

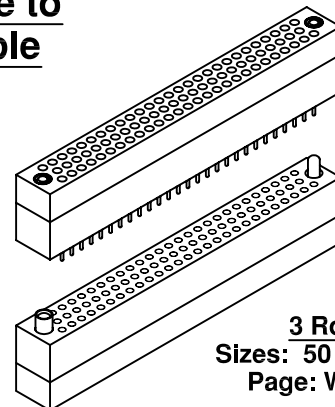


4 Row
Sizes: 122
Page: W-65

Crimp Removable to Crimp Removable

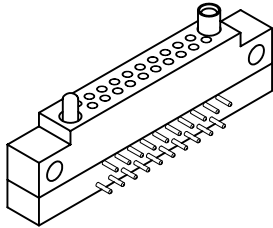


2 Row
Sizes: 10 thru 70
Page: W-34.1

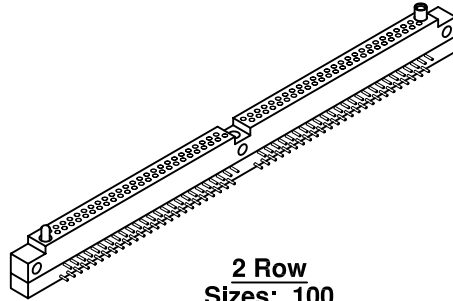


3 Row
Sizes: 50 thru 104
Page: W-52.1

Extender Boards



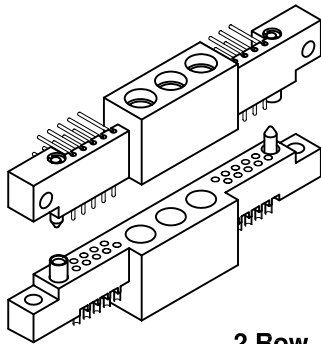
2 Row
Sizes: 10 thru 70
Page: W-39



2 Row
Sizes: 100
Page: W-41

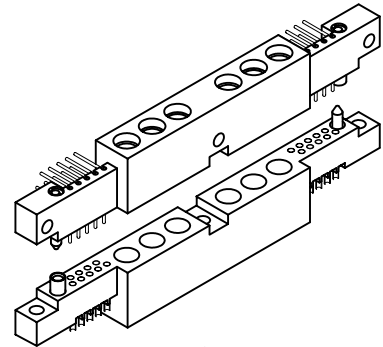
Coax Connectors

PC Card to
board or chassis



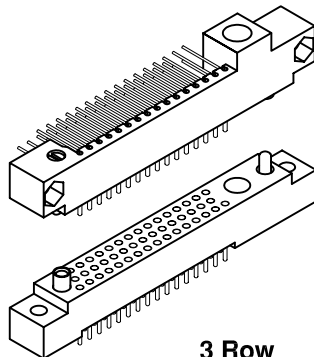
2 Row
Sizes: 20-3
Page: W-67

PC Card to
board or chassis



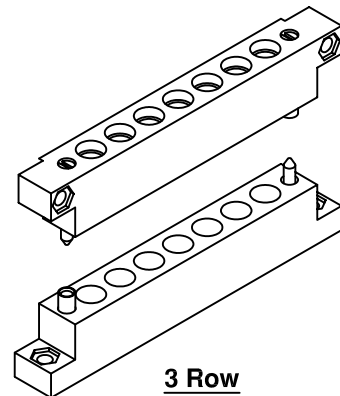
2 Row
Sizes: 20-6
Page: W-69

PC Card to
chassis or board



3 Row
Sizes: 47-1
Page: W-71

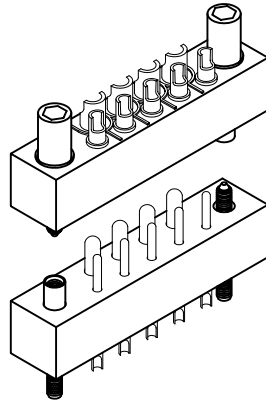
PC Card to
chassis



3 Row
Sizes: 1, 7 & 11
Page: W-73

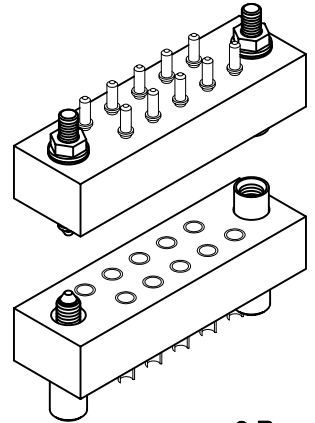
Misc Connectors

Power cable to chassis



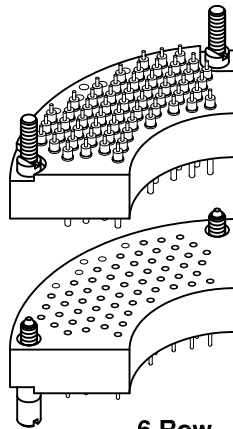
2 Row
Sizes: 5 & 4-5
Page: W-75

Power cable to chassis



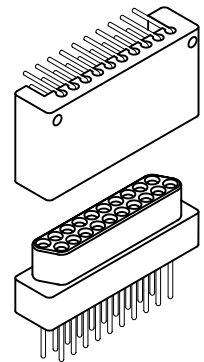
2 Row
Sizes: 10
Page: W-77

Quarter round sandwich boards



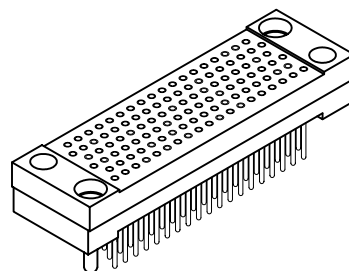
6 Row
Sizes: 59
Page: W-79

Pin protected PC card to board



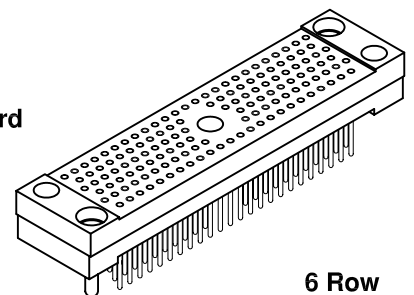
2 Row
Sizes: 10 & 20
Page: W-81

Stackable board to board



6 Row
Sizes: 111
Page: W-83

Stackable board to board



6 Row
Sizes: 135
Page: W-85

Contents

"W" Series

.100" Rectangular Plastic Board Level Connectors

| | |
|------|-------------------------|
| W-1 | Index |
| W-7 | Contents |
| W-8 | Specifications |
| W-9 | Performance |
| W-10 | Part number description |

1-Row Connectors - Board to Board, Board to Cable

| | | |
|------|---------|-------------------------------------------|
| W-11 | WT - WT | PC card to cable or board, cable to cable |
| W-13 | WT - WT | PC card to cable or board, cable to cable |

2-Row Connectors - Board to Board, Board to Cable, Sizes: 10-100

| | | |
|--------|--------------|--------------------------------------------------------------------------------|
| W-15 | WTA - WTA | Cable to board or panel, without mounting ears. Sizes: 10 thru 70 |
| W-17 | WTAV-WTAX | Sandwich boards (straight to straight). Sizes: 10 thru 70 |
| W-19 | WTB - WTB | PC card to board or chassis. Sizes: 10 thru 70 |
| W-21 | WTB - WTB | PC card to board or chassis. Sizes: 90, 100 & 120 |
| W-23 | WTBV - WTB | Sandwich boards. Sizes: 10 thru 70 |
| W-25 | WTBV - WTB | Sandwich boards. Sizes: 90 & 100 |
| W-27 | WTA - WTB | Cable to board or PC card. Sizes: 10 thru 70 |
| W-29 | WTB - WTAX | PC card to board or PC card. Sizes: 10 thru 70 |
| W-31 | WTB - WTKA | PC card to chassis (crimp removable), with mounting ears. Sizes: 10 thru 70 |
| W-33 | WTB - WTKA | PC card to chassis (crimp removable), with mounting ears. Sizes: 90 & 120 |
| W-34.1 | WTKV - WTKA | Chassis to chassis (crimp removable), with mounting ears. Sizes: 10 thru 70 |
| W-35 | WTB - WTDXA | PC card to cable (crimp removable), without mounting ears. Sizes: 10 thru 70 |
| W-37 | WTB - WTDXA | PC card to cable (crimp removable), without mounting ears. Sizes: 90 & 120 |
| W-38.1 | WTDV - WTDXA | Chassis to chassis (crimp removable), without mounting ears. Sizes: 10 thru 70 |
| W-39 | WTBT | Extender board (right angle receptacle). Sizes: 10 thru 70 |
| W-41 | WTBT | Extender board (right angle receptacle). Sizes: 100 |

3-Row Connectors - Board to Board, Board to Cable

| | | |
|--------|--------------|---------------------------------------------------------------------------------|
| W-43 | WG - WG | PC card to board or chassis. Sizes: 50 thru 104 |
| W-45 | WGV - WG | Sandwich board to PC card. Sizes: 50 thru 104 |
| W-47 | WG - WG | PC card to board or PC card. Sizes: 160 & 208 |
| W-49 | WG - WGKA | PC card to chassis (crimp removable), with mounting ears. Sizes: 80 & 160 |
| W-50.1 | WGKV - WGKA | Chassis to chassis (crimp removable), with mounting ears. Sizes: 50 thru 104 |
| W-51 | WG - WGDXA | PC card to chassis (crimp removable), without mounting ears. Sizes: 80 & 160 |
| W-52.1 | WGDV - WGDXA | Chassis to chassis (crimp removable), without mounting ears. Sizes: 50 thru 104 |
| W-53 | WGR - WGR | PC card to board or chassis. Sizes: 92 |
| W-55 | WGA - WGA | PC card to board or chassis. Sizes: 122 |
| W-57 | WGA - WGA | Sandwich boards. Sizes: 122 |

4-Row Connectors - Board to Board, Board to Cable

| | | |
|------|--------------|----------------------------------------------------------------------|
| W-59 | WRF - WRF | Cable to board or panel. Sizes: 100 |
| W-61 | WRD - WRD | PC card to board or chassis. Sizes: 122 |
| W-63 | WRDV - WRD | Sandwich boards. Sizes: 122 |
| W-65 | WRD - WRDDXA | PC card to cable (crimp removable) without mounting ears. Sizes: 122 |

Coax Hybrid Connectors - PC Card to Board, Board to Cable (SMB slide-on, 50 ohm contacts)

| | | |
|------|---------|--------------------------------------------------------------|
| W-67 | WTB20-3 | Signal-coax hybrid, PC card to board or chassis. Sizes: 20-3 |
| W-69 | WTB20-6 | Signal-coax hybrid, PC card to board or chassis. Sizes: 20-6 |
| W-71 | WG47-1 | Signal-coax hybrid, PC card to board or chassis. Sizes: 47-1 |
| W-73 | WRBC | Coax hybrid. Sizes 1, 7 & 11 |

Miscellaneous Connectors

| | | |
|------|---------------|-----------------------------------------------------------------|
| W-75 | PA - PA | Power connector (#12 & #16 contacts) to chassis. Sizes: 5 & 4-5 |
| W-77 | PA - PA | Power connector (#12 contacts) to chassis. Sizes: 10 |
| W-79 | WTA59 - WTA59 | Quarter round sandwich boards. Sizes: 59 |
| W-81 | WTE - WTE | Pin protected PC card to board. Sizes: 10 & 20 |
| W-83 | WE | Stackable, board to board. Sizes: 111 |
| W-85 | WE | Stackable, board to board. Sizes: 135 |

Contents

"WB" Series

.050" Rectangular Plastic Board Level Connectors

| | |
|-------|------------------------------------------------------------------|
| WB-1 | Contents |
| WB-2 | Specifications |
| WB-3 | Performance |
| WB-4 | Part number description |
| | 2-Row Connectors - PC Card or SMT to Board, Sizes: 20-132 |
| WB-5 | WB Plug, right angle, with mounting ears |
| | WB Receptacle, straight, with mounting ears |
| WB-7 | WBB, WBA Plug, straight, surface mount, with mounting ears |
| | WB Receptacle, straight, with mounting ears |
| WB-9 | Hardware |
| WB-10 | WB Board layout - plug, right angle |
| WB-11 | WB Board layout - receptacle, straight |
| WB-12 | WBB, WBA Board layout - plug, straight, surface mount |
| | Military Cross Reference |
| WB-13 | Chart |

Specifications

Materials and Finishes *

| | |
|-----------------------------------------------|------------------------------------------------------------------------------------------------------------------------------------------------------------------------------------------------------------------------------------------------------------------------------------------------------------------------------------------------------------|
| Pin Contacts: | Copper alloy per MIL-C-55302 |
| Socket Contacts: | Clipped contacts: Contact: BeCu per MIL-C-55302 Terminal: Copper alloy per MIL-C-55302 Crimp removable contacts: Contact & terminal: Copper alloy per MIL-C-55302 |
| Contact Finish: | Gold plate per ASTM B 488 or SAE AMS 2422. Localized finish per MIL-C-55302 |
| Molded Insulators: | Glass filled polyphenylene sulfide per MIL-M-24519, Type GST-40F |
| Jackscrews: | Stainless steel per ASTM A 582/A582M-, Passivated per ASTM-A967, SAE AMS-QQ-P-35 |
| Jacksockets: | Stainless steel per ASTM A 582/A582M-, Passivated per ASTM-A967, SAE AMS-QQ-P-35 |
| Jackscrew Knobs: | Stainless steel per ASTM A 582/A582M-, Passivated per ASTM-A967, SAE AMS-QQ-P-35 |
| Guide Pins, Guide Sockets: | Stainless steel per ASTM A 582/A582M-, Passivated per ASTM-A967, SAE AMS-QQ-P-35 |
| Guide Sockets, Polarized "D" type: | BeCu per ASTM-B196, ASTM B 197/B 197M-, Nickel plated per SAE AMS-QQ-N-290 |
| Face Seal Gasket: | Silicone rubber per A-A-59588 |
| Miscellaneous: | |
| Connector Markings: | Contact numbers are stamped on the side of the connector. Numbers are stamped on the low-numbered side only on 2-row and 3-row right angle connectors |
| Torque: | Polarizing Guides and Floating Mounts: 16 + 8/-0 inch ounces. (Minimum of 7 inch ounce reverse torque per Mil-C-55302). Mounting & Hood Hardware: 24 inch ounces maximum. Mating Jacksets: 32 inch ounces maximum Wrap Post: 2 inch ounce minimum per Mil-STD-1130. Helicoil Inserts: #2-56 – 24 in/oz. maximum. #4-40 – 32 in/oz. maximum. |
| Tolerances: | Unless otherwise specified: Fractions = $\pm 1/64$ " Decimals = $\pm .010$ " Angles = $\pm 5^\circ$ |

Note: AirBorn can manufacture special configurations for your exact specifications.

* = Reference the above listed specifications or an equivalent industry standard when applicable



Performance

Reference MIL-C-55302

Contact Rating: 5-amperes

Solderability: Terminals (except wire wrap[®] and crimp) tested in accordance with MIL-STD-202, Method 208

Wire Size: Stranded #22 AWG (adapter sleeves available for larger sizes or twisted pairs).

Operating Temperature: -65° to +125° C or -85° to +257° F

| <u>Category:</u> | <u>Requirements:</u> | <u>Test Method Per:</u> <u>SAE AS 13441</u> |
|--------------------------------|-------------------------------------------------------------------------------------------------------------------------------------------------------------------------------------------------------------------------------------------------------------------------|------------------------------------------------|
| Test Voltage: | 1,000 V, RMS, 60 Hz @ sea level 300 V, RMS, 60 Hz @ 70,000 feet | #3001 |
| Insulation Resistance: | 5,000 megohms minimum @ 500 VDC | #3003 |
| Durability: | 500 connector mating cycles | |
| Vibration: | Mated connectors, Test condition III | #2005 |
| Salt Spray: | Mated connectors, Test condition B | #1001 |
| Shock: | Mated connectors, Test condition G | #2004 |
| Humidity: | Test Type II, except steps 7A and 7B not required | #1002 |
| Temperature Cycling: | Mated connectors, Test condition A | #1003 |
| Contact Resistance: | .025 volt maximum drop @ 5 amperes - .005 ohms (interface measurement) | #3004 |
| Contact Engaging Force: | 4.00 oz. maximum with .031 diameter test pin per SAE AS31971 | #2014 & MIL-C-55302 |
| Contact Engaging Force: | For lower force contacts with a nominal engaging force of 2 ounces per socket contact, substitute the letter "O" for the letter "A". Example: Part number WRG208SOCSY | |
| Sizes 50 and larger: | Upon engagement, center area of mating faces may remain open .010" to .025" due to slight flexing of molding. Vibration or shock should provide complete closure. | |
| Guides and Jacks: | If location of pin or socket contacts is reversed, location of male and female guides or jacks is also reversed; except when using "D" shaped polarized guides. When polarized positions are changed, apply Loctite [®] 83-21 or equivalent to threads. | |

Note: See "Military Cross Reference" chart in the Accessories section.

Part Number Description

Each part number consists of at least four elements: series, size (number of contacts), type of contacts, and type of hardware. A fifth element is added whenever special modifications or options are available.

Each catalog page shows the choices available for each of these elements. By selecting one option from each category on the page, you can build a set of connectors to meet your requirements.

Each part number is identified by a combination of letters and/or numbers of varying lengths. These elements are written together without spaces or punctuation.

Series:

The series designator identifies the connector body style. Some body moldings are modified to accommodate right angle pins, but carry the same series number. Follow choices on each catalog page for series selections.

Size:

The size is determined by the number of contacts in the connector, and is an integral part of the part number. Order only sizes shown on the catalog page.

Contacts:

Each page also identifies contact options for a given connector. Please note that starting with the largest connectors, we are routinely substituting low-force sockets.

Hardware:

Hardware options are shown on each catalog page.

Notes:

If options or modifications are available for a given connector, it will be stated on the catalog page, or you will be referred to a different page for specific instructions. Remember when adding a suffix to the part number, add it exactly as instructed.

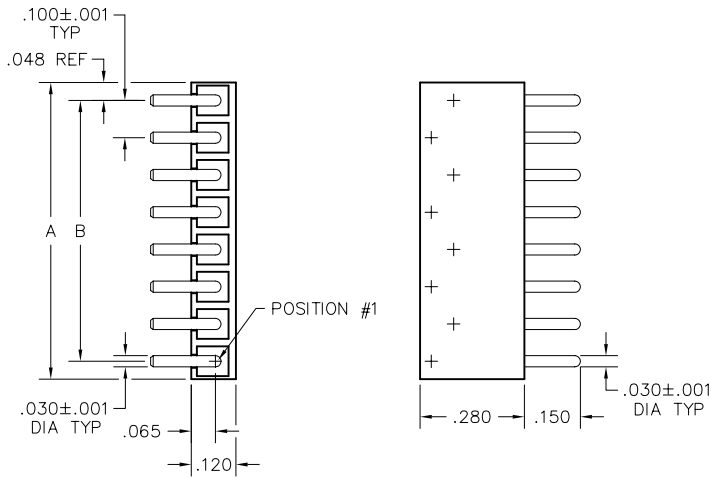
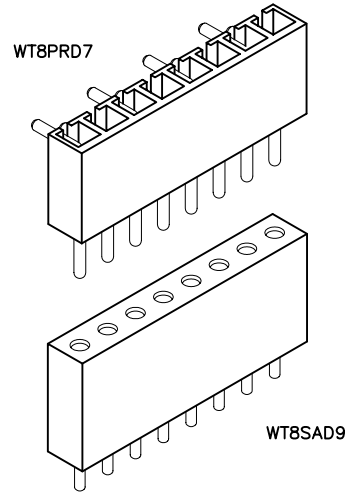
Each page is as comprehensive as possible. However, if you do not find a particular connector size or option, please contact the factory for further assistance.

1 • ROW Right Angle Plug to Straight Receptacle

.100"

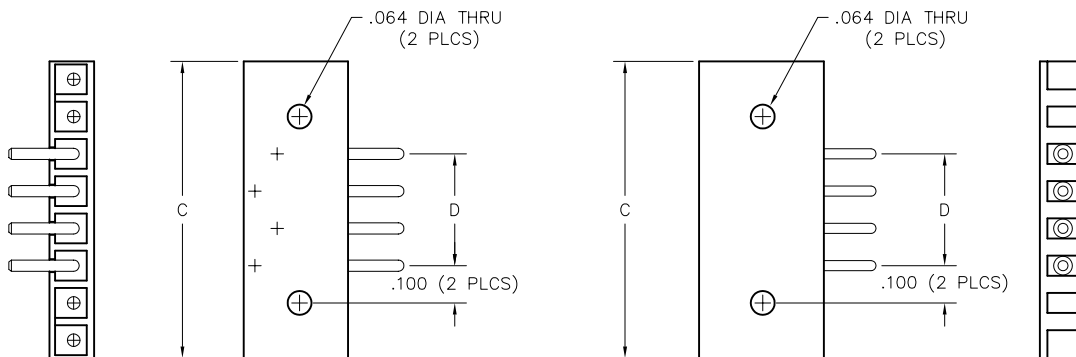
WT - WT

3 thru 22 Contacts



PLUG

RECEPTACLE



MOUNTING HOLES
(OPTION: CD)

PLUG: WT 8 PRD7
 RECEPTACLE: WT 8 SAD9
 XX X XXXX

| PLUG | RECEPTACLE |
|-----------------------------------------------------------------------------------------------------------------------------------------------------------------------------------------------------|------------------------------------------------------------------------------------------------------------------------------------------------------------------------------------------------------------------------------------------------------------------------------------------------------------------------------------------------------------------------------------------------------------------------------------------------------------------------------------------------------------------------------------------------------------------------------------------------------------------------------------------------------------------------------------------------------------------------------------------------------------------------------------------------------------------------------------------------------------------------------------------------------------------------------------------|
| SERIES | |
| WT Plug, right angle, no mounting ears | WT Receptacle, straight, no mounting ears |
| SIZE | |
| Number of contacts (3 thru 22) | Number of contacts (3 thru 22) |
| CONTACTS | |
| TYPE CONTACTS/TERMINATIONS: PRD4 Pin, right angle, dip solder, .063" x .030" dia PRD7 Pin, right angle, dip solder, .109" x .030" dia PRD8 Pin, right angle, dip solder, .125" x .030" dia | TYPE CONTACTS/TERMINATIONS: SAC Socket, straight, solder cup (.035" I.D.) SAD7 Socket, straight, dip solder, .109" x .027" dia SAD9 Socket, straight, dip solder, .140" x .027" dia SAD11 Socket, straight, dip solder, .172" x .027" dia SAD15 Socket, straight, dip solder, .234" x .027" dia SAF3 Socket, straight, flex circuit, .050" SAF6 Socket, straight, flex circuit, .093" SAG7 Socket, straight, dip solder, .109" x .018" dia SAG9 Socket, straight, dip solder, .140" x .018" dia SAG11 Socket, straight, dip solder, .172" x .018" dia SAP Socket, straight, pin termination, .150" (connector saver) SAR4 Socket, right angle, dip solder, .062" x .025" dia SAR7 Socket, right angle, dip solder, .109" x .025" dia SAR9 Socket, right angle, dip solder, .140" x .025" dia SARC Socket, right angle, solder cup SAW40 Socket, straight, wire wrap [®] , .625" |

OPTIONS

- Option Codes: Add to the end of the part number. Example: WT10PC443-1. Call factory for additional codes.
- 443 Polarizing pin installed in contact position noted by dash number. See "Polarization" in Accessories section.
- 444 Contact position noted by dash number is left open (to mate with -443). See "Polarization" in Accessories section.
- B82 Termination face sealed against conformal coating
- CD Cross drilled connector for hold down screws. See page W-11. Example: WT8PRD7CD or WT8SACCD.
- D01 Pretinned contact terminations (except solder cups, wire wraps[®] and flex contacts) with 63/37 or 60/40 solder. ☒
- P39 Pretinned contact terminations (except solder cups, wire wraps[®] and flex contacts) with SAC305 solder (lead free).
- D54 Combine -B82 & -D01 options
- G69 Solder cups fixed in an outward orientation (otherwise contacts will rotate)

Note: The thin outboard barriers are often removed at the factory due to their fragile nature.

☒ = Option not RoHS compliant

| DIMENSIONS | | |
|------------|-------|-------|
| SIZE | A | B |
| 3 | .296 | .200 |
| 4 | .396 | .300 |
| 5 | .496 | .400 |
| 6 | .596 | .500 |
| 7 | .696 | .600 |
| 8 | .796 | .700 |
| 9 | .896 | .800 |
| 10 | .996 | .900 |
| 11 | 1.096 | 1.000 |
| 12 | 1.196 | 1.100 |
| 13 | 1.296 | 1.200 |
| 14 | 1.396 | 1.300 |
| 15 | 1.496 | 1.400 |
| 16 | 1.596 | 1.500 |
| 17 | 1.696 | 1.600 |
| 18 | 1.796 | 1.700 |
| 19 | 1.896 | 1.800 |
| 20 | 1.996 | 1.900 |
| 21 | 2.096 | 2.000 |
| 22 | 2.196 | 2.100 |

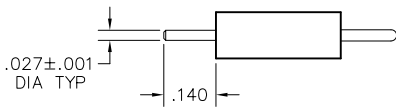
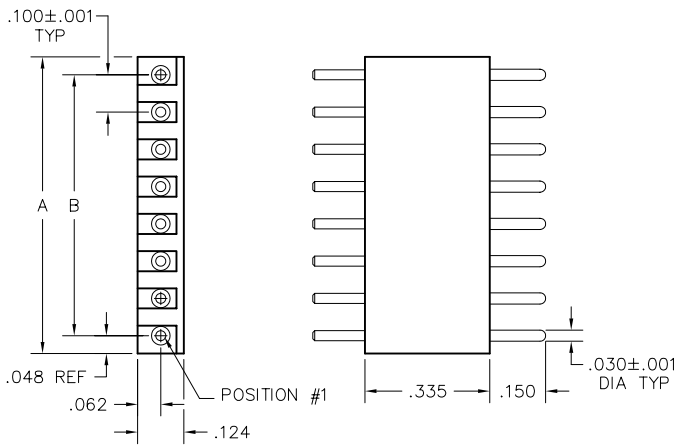
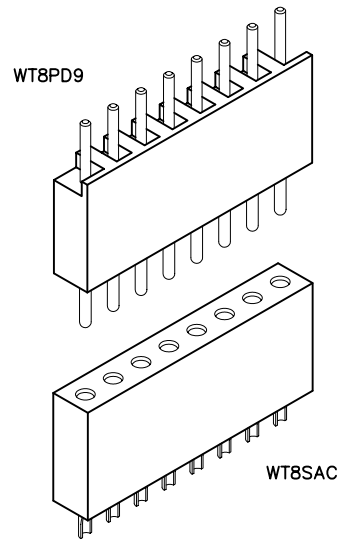
| DIMENSIONS (CD) | | | |
|-----------------|---------------|-------|-------|
| SIZE | # OF CONTACTS | C | D |
| 5 | 1 | .496 | — |
| 6 | 2 | .596 | .100 |
| 7 | 3 | .696 | .200 |
| 8 | 4 | .796 | .300 |
| 9 | 5 | .896 | .400 |
| 10 | 6 | .996 | .500 |
| 11 | 7 | 1.096 | .600 |
| 12 | 8 | 1.196 | .700 |
| 13 | 9 | 1.296 | .800 |
| 14 | 10 | 1.396 | .900 |
| 15 | 11 | 1.496 | 1.000 |
| 16 | 12 | 1.596 | 1.100 |
| 17 | 13 | 1.696 | 1.200 |
| 18 | 14 | 1.796 | 1.300 |
| 19 | 15 | 1.896 | 1.400 |
| 20 | 16 | 1.996 | 1.500 |
| 21 | 17 | 2.096 | 1.600 |
| 22 | 18 | 2.196 | 1.700 |

1 • ROW Straight Plug to Straight Receptacle

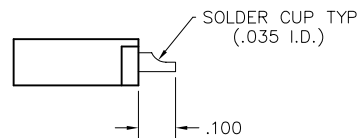
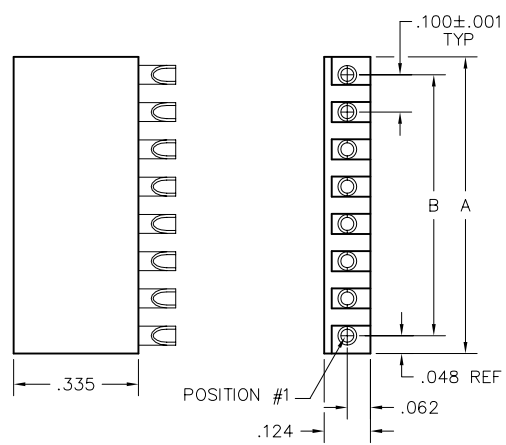
.100"

WT - WT

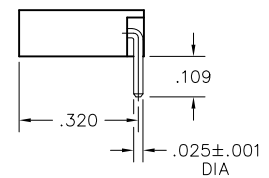
3 thru 22 Contacts



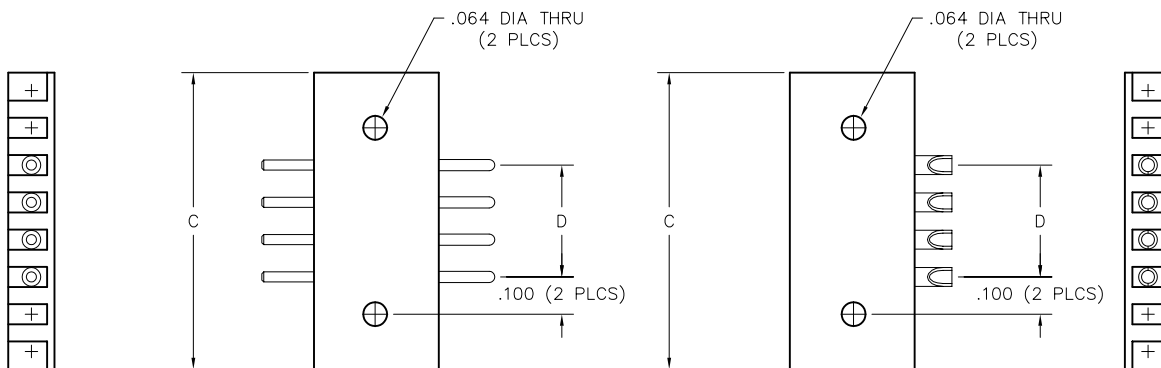
PLUG



RECEPTACLE



RIGHT ANGLE
(WT8SAR7)



MOUNTING HOLES
(OPTION: CD)

PLUG: WT 8 PD9
 RECEPTACLE: WT 8 SAC
 XX X XXX

PLUG

RECEPTACLE

| SERIES | |
|-------------------------------------|-------------------------------------------|
| WT Plug, straight, no mounting ears | WT Receptacle, straight, no mounting ears |

| SIZE | |
|--------------------------------|--------------------------------|
| Number of contacts (3 thru 22) | Number of contacts (3 thru 22) |

CONTACTS

TYPE CONTACTS/TERMINATIONS:
 PC Pin, straight, solder cup (.035" I.D.)
 PD7 Pin, straight, dip solder, .109" x .027" dia
 PD9 Pin, straight, dip solder, .140" x .027" dia
 PD11 Pin, straight, dip solder, .172" x .027" dia
 PF3 Pin, straight, flex circuit, .050"
 PF6 Pin, straight, flex circuit, .093"
 PW40 Pin, straight, wire wrap[®], .625"

TYPE CONTACTS/TERMINATIONS:
 SAC Socket, straight, solder cup (.035" I.D.)
 SAD7 Socket, straight, dip solder, .109" x .027" dia
 SAD9 Socket, straight, dip solder, .140" x .027" dia
 SAD11 Socket, straight, dip solder, .172" x .027" dia
 SAD15 Socket, straight, dip solder, .234" x .027" dia
 SAF3 Socket, straight, flex circuit, .050"
 SAF6 Socket, straight, flex circuit, .093"
 SAG7 Socket, straight, dip solder, .109" x .018" dia
 SAG9 Socket, straight, dip solder, .140" x .018" dia
 SAG11 Socket, straight, dip solder, .172" x .018" dia
 SAP Socket, straight, pin termination, .150" (connector saver)
 SAR4 Socket, right angle, dip solder, .062" x .025" dia
 SAR7 Socket, right angle, dip solder, .109" x .025" dia
 SAR9 Socket, right angle, dip solder, .140" x .025" dia
 SARC Socket, right angle, solder cup
 SAW40 Socket, straight, wire wrap[®], .625"

OPTIONS

- Option Codes: Add to the end of the part number. Example: WT10PC443-1. Call factory for additional codes.
- 443 Polarizing pin installed in contact position noted by dash number. See "Polarization" in Accessories section.
- 444 Contact position noted by dash number is left open (to mate with -443). See "Polarization" in Accessories section.
- B82 Termination face sealed against conformal coating
- CD Cross drilled connector for hold down screws. See page W-13. Example: WT8PCCD or WT8SACCD.
- D01 Pretinned contact terminations (except solder cups, wire wraps[®] and flex contacts) with 63/37 or 60/40 solder. ☒
- P39 Pretinned contact terminations (except solder cups, wire wraps[®] and flex contacts) with SAC305 solder (lead free).
- D54 Combine -B82 & -D01 options
- G69 Solder cups fixed in an outward orientation (otherwise contacts will rotate)

Note: The thin outboard barriers are often removed at the factory due to their fragile nature.

☒ = Option not RoHS compliant

| DIMENSIONS | | |
|------------|-------|-------|
| SIZE | A | B |
| 3 | .296 | .200 |
| 4 | .396 | .300 |
| 5 | .496 | .400 |
| 6 | .596 | .500 |
| 7 | .696 | .600 |
| 8 | .796 | .700 |
| 9 | .896 | .800 |
| 10 | .996 | .900 |
| 11 | 1.096 | 1.000 |
| 12 | 1.196 | 1.100 |
| 13 | 1.296 | 1.200 |
| 14 | 1.396 | 1.300 |
| 15 | 1.496 | 1.400 |
| 16 | 1.596 | 1.500 |
| 17 | 1.696 | 1.600 |
| 18 | 1.796 | 1.700 |
| 19 | 1.896 | 1.800 |
| 20 | 1.996 | 1.900 |
| 21 | 2.096 | 2.000 |
| 22 | 2.196 | 2.100 |

| DIMENSIONS (CD) | | | |
|-----------------|---------------|-------|-------|
| SIZE | # OF CONTACTS | C | D |
| 5 | 1 | .496 | — |
| 6 | 2 | .596 | .100 |
| 7 | 3 | .696 | .200 |
| 8 | 4 | .796 | .300 |
| 9 | 5 | .896 | .400 |
| 10 | 6 | .996 | .500 |
| 11 | 7 | 1.096 | .600 |
| 12 | 8 | 1.196 | .700 |
| 13 | 9 | 1.296 | .800 |
| 14 | 10 | 1.396 | .900 |
| 15 | 11 | 1.496 | 1.000 |
| 16 | 12 | 1.596 | 1.100 |
| 17 | 13 | 1.696 | 1.200 |
| 18 | 14 | 1.796 | 1.300 |
| 19 | 15 | 1.896 | 1.400 |
| 20 | 16 | 1.996 | 1.500 |
| 21 | 17 | 2.096 | 1.600 |
| 22 | 18 | 2.196 | 1.700 |



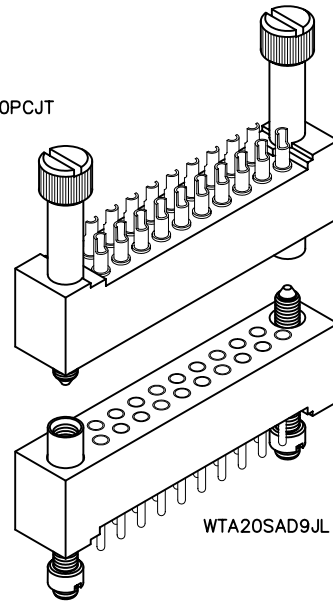
2 • ROW Cable to Board or Panel

.100"

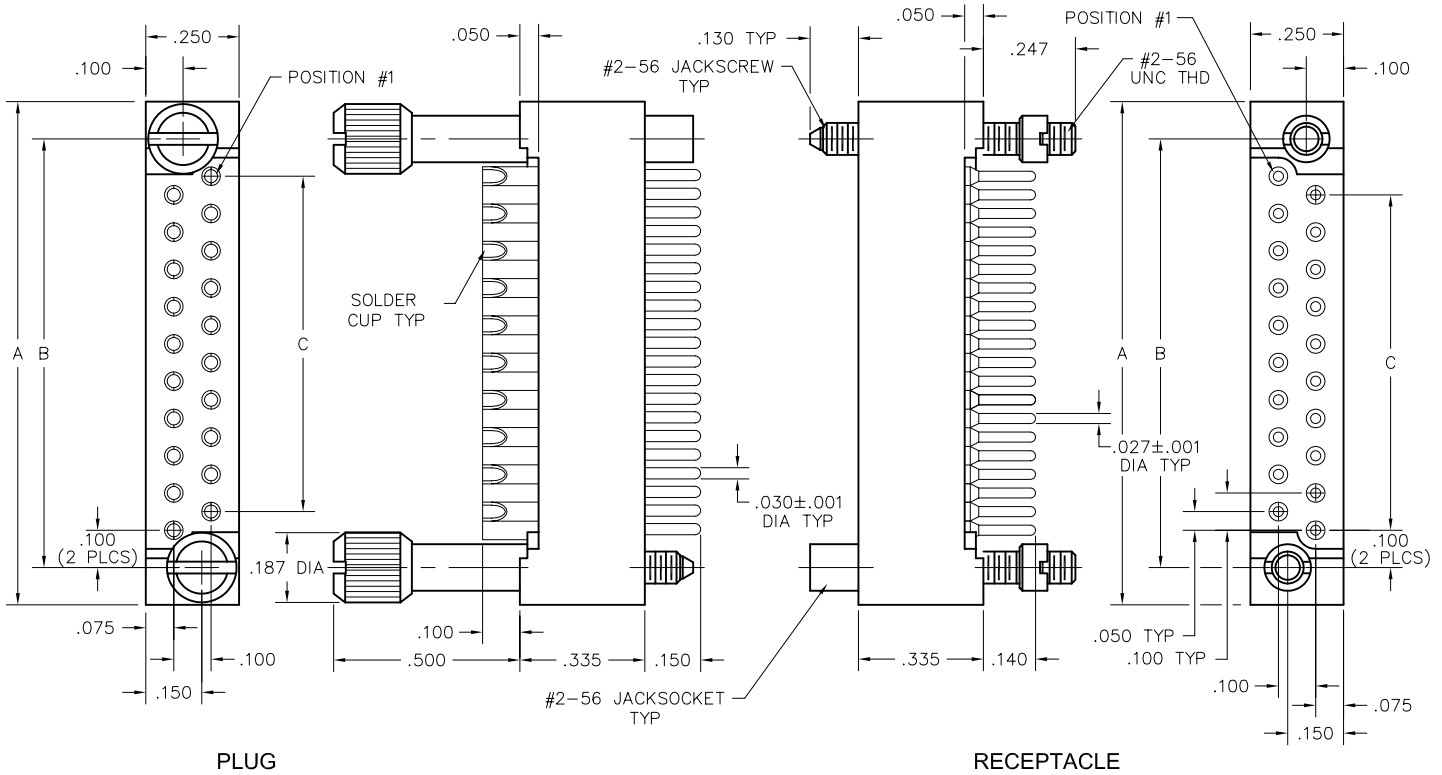
WTA - WTA

10 thru 70 Contacts

WTA20PCJT



WTA20SAD9JL



PLUG

RECEPTACLE

| DIMENSIONS | | | | | | | |
|------------|-------|-------|-------|------|-------|-------|-------|
| SIZE | A | B | C | SIZE | A | B | C |
| 10 | .850 | .650 | .400 | 44 | 2.550 | 2.350 | 2.100 |
| 14 | 1.050 | .850 | .600 | 50 | 2.850 | 2.650 | 2.400 |
| 20 | 1.350 | 1.150 | .900 | 54 | 3.050 | 2.850 | 2.600 |
| 24 | 1.550 | 1.350 | 1.100 | 56 | 3.150 | 2.950 | 2.700 |
| 26 | 1.650 | 1.450 | 1.200 | 60 | 3.350 | 3.150 | 2.900 |
| 30 | 1.850 | 1.650 | 1.400 | 66 | 3.650 | 3.450 | 3.200 |
| 36 | 2.150 | 1.950 | 1.700 | 70 | 3.850 | 3.650 | 3.400 |
| 40 | 2.350 | 2.150 | 1.900 | | | | |

PLUG: WTA 20 PC JT
 RECEPTACLE: WTA 20 SAD9 JL
 XXX XX XXXX XX

| PLUG | | RECEPTACLE | |
|--------|----------------------------------|------------|----------------------------------------|
| SERIES | | | |
| WTA | Plug, straight, no mounting ears | WTA | Receptacle, straight, no mounting ears |

| SIZE | | | |
|------|------------------------------------------------------------------------------------|----|------------------------------------------------------------------------------------|
| XX | Number of contacts (10, 14, 20, 24, 26, 30, 36, 40, 44, 50, 54, 56, 60, 66, or 70) | XX | Number of contacts (10, 14, 20, 24, 26, 30, 36, 40, 44, 50, 54, 56, 60, 66, or 70) |

CONTACTS

- Pin or socket contacts can be used in either plug or receptacle.
- When pin contacts are used, standard hardware orientation places the female hardware next to the #1 pin contact.
- When socket contacts are used, standard hardware orientation places the male hardware next to the #1 socket contact.

| TYPE CONTACTS/TERMINATIONS: | | TYPE CONTACTS/TERMINATIONS: | |
|-----------------------------|-----------------------------------------------|-----------------------------|------------------------------------------------------------|
| PC | Pin, straight, solder cup (.035" I.D.) | SAC | Socket, straight, solder cup (.035" I.D.) |
| PD5 | Pin, straight, dip solder, .078" x .027" dia | SAD7 | Socket, straight, dip solder, .109" x .027" dia |
| PD7 | Pin, straight, dip solder, .109" x .027" dia | SAD9 | Socket, straight, dip solder, .140" x .027" dia |
| PD9 | Pin, straight, dip solder, .140" x .027" dia | SAD11 | Socket, straight, dip solder, .172" x .027" dia |
| PD11 | Pin, straight, dip solder, .172" x .027" dia | SAF3 | Socket, straight, flex circuit, .050" |
| PD13 | Pin, straight, dip solder, .203" x .027" dia | SAF6 | Socket, straight, flex circuit, .093" |
| PD15 | Pin, straight, dip solder, .234" x .027" dia | SAF9 | Socket, straight, flex circuit, .140" |
| PD20 | Pin, straight, dip solder, .312" x .027" dia | SAG7 | Socket, straight, dip solder, .109" x .018" dia |
| PF3 | Pin, straight, flex circuit, .050" | SAG9 | Socket, straight, dip solder, .140" x .018" dia |
| PF6 | Pin, straight, flex circuit, .093" | SAG11 | Socket, straight, dip solder, .172" x .018" dia |
| PF8 | Pin, straight, flex circuit, .125" | SAP | Socket, straight, pin termination, .150" (connector saver) |
| PW34 | Pin, straight, wire wrap [®] , .531" | SAW24 | Socket, straight, wire wrap [®] , .375" |
| PW40 | Pin, straight, wire wrap [®] , .625" | SAW40 | Socket, straight, wire wrap [®] , .625" |

HARDWARE

- Jackset hardware determines image of connector. Must specify image with guide set hardware.
- Plug facial seal gaskets and hoods; order separately or add "Q" in part number. Example: WTA10PD9QJ. See "Gaskets" and "Hoods" in Accessories section for instructions.
- Fixed jackset, long (JL) includes jackscrew or jacksocket, #2-56 nut, #2 flat washer & #2 lockwasher.

| | | | |
|-----|----------------------------|----|---------------------|
| JT | Turning jackset, .500" | J | Fixed jackset |
| JTA | Turning jackset, .200" | JL | Fixed jackset, long |
| JTB | Hex turning jackset, .200" | | |
| JTC | Hex turning jackset, .500" | | |
| JTL | Turning jackset, .700" | | |

OPTIONS

- Option Codes: Add to the end of the part number. Example: WTA10SAD9J-D01. Call factory for additional codes.
- 443 Polarizing pin installed in contact position noted by dash number. See "Polarization" in Accessories section.
- 444 Contact position noted by dash number is left open (to mate with -443). See "Polarization" in Accessories section.
- B82 Termination face sealed against conformal coating
- D01 Pretinned contact terminations (except solder cups, wire wraps[®] and flex contacts) with 63/37 or 60/40 solder.
- P39 Pretinned contact terminations (except solder cups, wire wraps[®] and flex contacts) with SAC305 solder (lead free).
- D54 Combine -B82 & -D01 options
- G69 Solder cups fixed in an outward orientation (otherwise contacts will rotate)

= Option not RoHS compliant



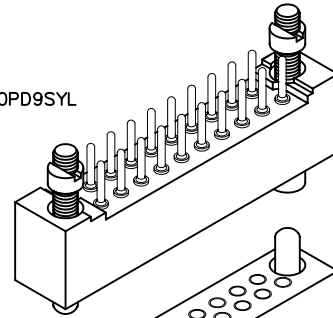
2 • ROW Sandwich Boards

.100"

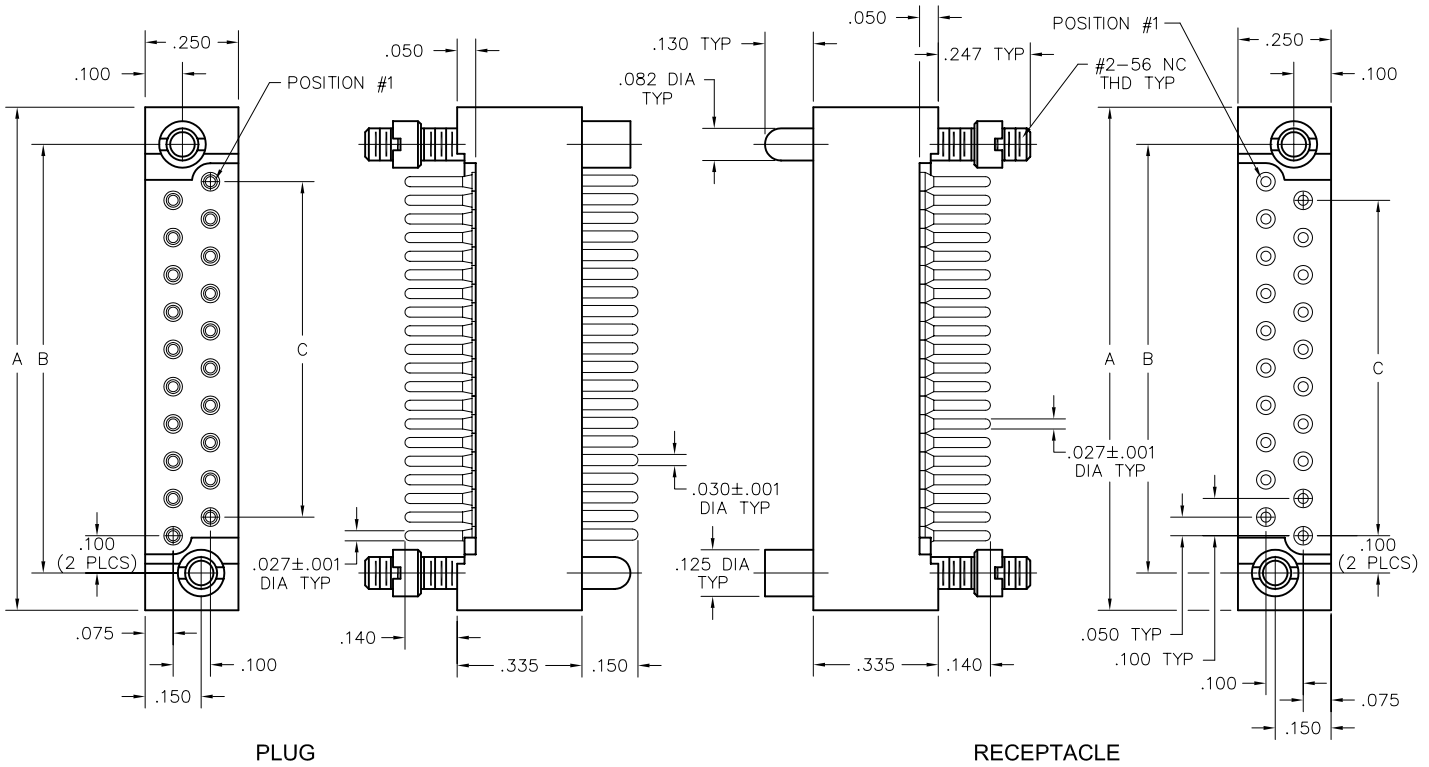
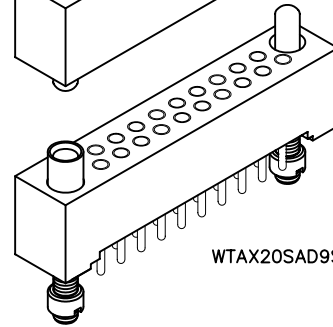
WTAV - WTAX

10 thru 70 Contacts

WTAV20PD9SYL



WTAX20SAD9SYL



| DIMENSIONS | | | | | | | |
|------------|-------|-------|-------|------|-------|-------|-------|
| SIZE | A | B | C | SIZE | A | B | C |
| 10 | .850 | .650 | .400 | 44 | 2.550 | 2.350 | 2.100 |
| 14 | 1.050 | .850 | .600 | 50 | 2.850 | 2.650 | 2.400 |
| 20 | 1.350 | 1.150 | .900 | 54 | 3.050 | 2.850 | 2.600 |
| 24 | 1.550 | 1.350 | 1.100 | 56 | 3.150 | 2.950 | 2.700 |
| 26 | 1.650 | 1.450 | 1.200 | 60 | 3.350 | 3.150 | 2.900 |
| 30 | 1.850 | 1.650 | 1.400 | 66 | 3.650 | 3.450 | 3.200 |
| 36 | 2.150 | 1.950 | 1.700 | 70 | 3.850 | 3.650 | 3.400 |
| 40 | 2.350 | 2.150 | 1.900 | | | | |

PLUG: WTAV 20 PD9 SYL
 RECEPTACLE: WTAX 20 SAD9 SYL
 XXXX XX XXXX XXX

PLUG

RECEPTACLE

SERIES

| | |
|---------------------------------------|------------------------------------------------|
| WTAV Plug, straight, no mounting ears | WTAX Receptacle, straight, no mounting ears |
| | WTAX Receptacle, right angle, no mounting ears |

SIZE

| | |
|---------------------------------------------------------------------------------------|---------------------------------------------------------------------------------------|
| XX Number of contacts (10, 14, 20, 24, 26, 30, 36, 40, 44, 50, 54, 56, 60, 66, or 70) | XX Number of contacts (10, 14, 20, 24, 26, 30, 36, 40, 44, 50, 54, 56, 60, 66, or 70) |
|---------------------------------------------------------------------------------------|---------------------------------------------------------------------------------------|

CONTACTS

- Pin or socket contacts can be used in either plug or receptacle.
- When pin contacts are used, standard hardware orientation places the female hardware next to the #1 pin contact.
- When socket contacts are used, standard hardware orientation places the male hardware next to the #1 socket contact.

TYPE CONTACTS/TERMINATIONS:

| | |
|------|-----------------------------------------------|
| PC | Pin, straight, solder cup (.035" I.D.) |
| PD7 | Pin, straight, dip solder, .109" x .027" dia |
| PD9 | Pin, straight, dip solder, .140" x .027" dia |
| PD11 | Pin, straight, dip solder, .172" x .027" dia |
| PF3 | Pin, straight, flex circuit, .050" |
| PF6 | Pin, straight, flex circuit, .093" |
| PF8 | Pin, straight, flex circuit, .125" |
| PW34 | Pin, straight, wire wrap [®] , .531" |
| PW40 | Pin, straight, wire wrap [®] , .625" |

TYPE CONTACTS/TERMINATIONS:

| | |
|-------|------------------------------------------------------------|
| SAC | Socket, straight, solder cup (.035" I.D.) |
| SAD7 | Socket, straight, dip solder, .109" x .027" dia |
| SAD9 | Socket, straight, dip solder, .140" x .027" dia |
| SAD11 | Socket, straight, dip solder, .172" x .027" dia |
| SAF3 | Socket, straight, flex circuit, .050" |
| SAF6 | Socket, straight, flex circuit, .093" |
| SAF9 | Socket, straight, flex circuit, .140" |
| SAG7 | Socket, straight, dip solder, .109" x .018" dia |
| SAG9 | Socket, straight, dip solder, .140" x .018" dia |
| SAG11 | Socket, straight, dip solder, .172" x .018" dia |
| SAP | Socket, straight, pin termination, .150" (connector saver) |
| SAW24 | Socket, straight, wire wrap [®] , .375" |
| SAW40 | Socket, straight, wire wrap [®] , .625" |
| SOR7 | Socket, right angle, dip solder, .109" x .025" dia |
| SOR9 | Socket, right angle, dip solder, .140" x .025" dia |
| SOR11 | Socket, right angle, dip solder, .172" x .025" dia |

HARDWARE

- Jackset hardware determines image of connector. Must specify image with guide set hardware.
- Plug facial seal gaskets and hoods; order separately or add "Q" in part number. Example: WTAV10PD9QJ. See "Gaskets" and "Hoods" in Accessories section for instructions.
- Fixed jackset, long (JL) includes jackscrew or jacksocket, #2-56 nut, #2 flat washer & #2 lockwasher

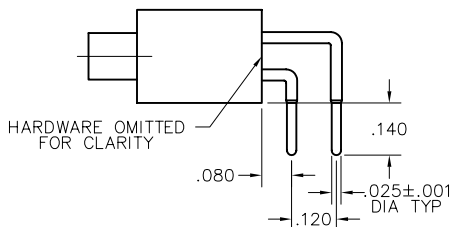
| | |
|-------|----------------------------|
| SY | Guide set |
| SY-# | Guide set, polarized |
| SYL | Guide set, long |
| SYL-# | Guide set, long, polarized |
| J | Fixed jackset |
| JL | Fixed jackset, long |

| | |
|-------|------------------------------|
| SY | Guide set |
| SY-# | Guide set, polarized |
| SYL | Guide set, long |
| SYL-# | Guide set, long, polarized |
| JT | Turning jackset, .500" |
| JTA | Turning jackset, .200" |
| JTB | Hex turning jackset, .200" |
| JTC | Hex turning jackset, .500" |
| JTL | Turning jackset, long, .700" |

OPTIONS

- Option Codes: Add to the end of the part number. Example: WTAV10PD9J-D01. Call factory for additional codes.
- 433 Polarizing pin installed in contact position noted by dash number. See "Polarization" in Accessories section.
- 444 Contact position noted by dash number is left open (to mate with -443). See "Polarization" in Accessories section.
- B82 Termination face sealed against conformal coating
- D01 Pretinned contact terminations (except solder cups, wire wraps[®] and flex contacts) with 63/37 or 60/40 solder.
- P39 Pretinned contact terminations (except solder cups, wire wraps[®] and flex contacts) with SAC305 solder (lead free).
- D54 Combine -B82 & -D01 options
- G69 Solder cups fixed in an outward orientation (otherwise contacts will rotate)

= Option not RoHS compliant



CONTACT OPTION: SOR9

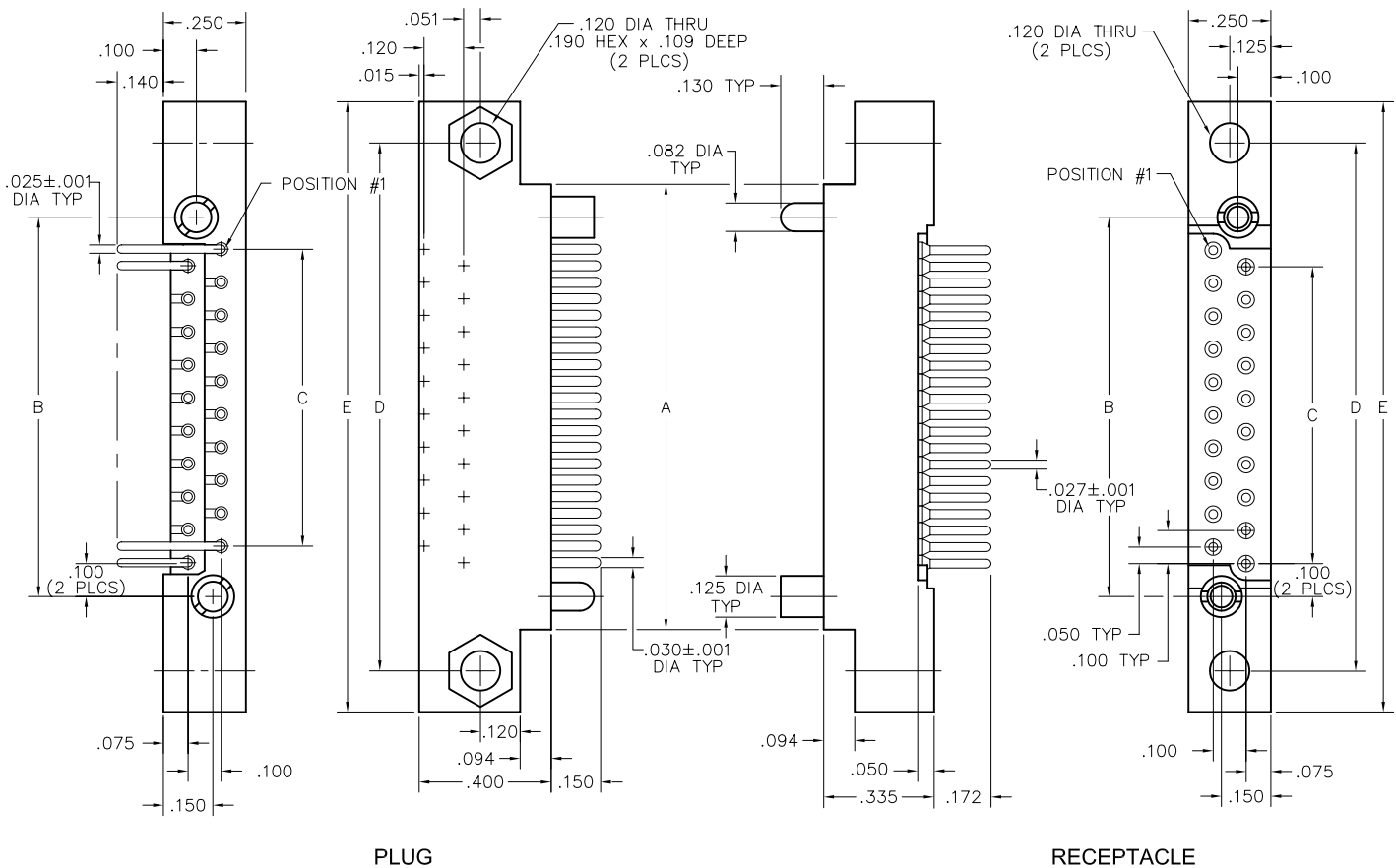
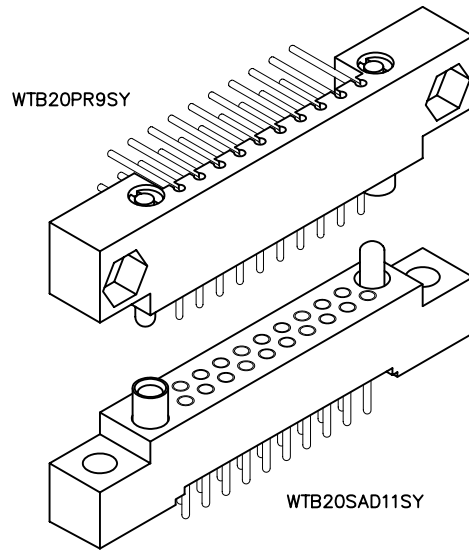


2 • ROW PC Card to Board or Chassis

.100"

WTB - WTB

10 thru 70 Contacts



| DIMENSIONS | | | | | | | | | | | |
|------------|-------|-------|-------|-------|-------|------|-------|-------|-------|-------|-------|
| SIZE | A | B | C | D | E | SIZE | A | B | C | D | E |
| 10 | .850 | .650 | .400 | 1.100 | 1.350 | 44 | 2.550 | 2.350 | 2.100 | 2.800 | 3.050 |
| 14 | 1.050 | .850 | .600 | 1.300 | 1.550 | 50 | 2.850 | 2.650 | 2.400 | 3.100 | 3.350 |
| 20 | 1.350 | 1.150 | .900 | 1.600 | 1.850 | 54 | 3.050 | 2.850 | 2.600 | 3.300 | 3.550 |
| 24 | 1.550 | 1.350 | 1.100 | 1.800 | 2.050 | 56 | 3.150 | 2.950 | 2.700 | 3.400 | 3.650 |
| 26 | 1.650 | 1.450 | 1.200 | 1.900 | 2.150 | 60 | 3.350 | 3.150 | 2.900 | 3.600 | 3.850 |
| 30 | 1.850 | 1.650 | 1.400 | 2.100 | 2.350 | 66 | 3.650 | 3.450 | 3.200 | 3.900 | 4.150 |
| 36 | 2.150 | 1.950 | 1.700 | 2.400 | 2.650 | 70 | 3.850 | 3.650 | 3.400 | 4.100 | 4.350 |
| 40 | 2.350 | 2.150 | 1.900 | 2.600 | 2.850 | | | | | | |

PLUG: WTB 20 PR9 SY
 RECEPTACLE: WTB 20 SAD11 SY
 XXXX XX XXXXX XX

PLUG

RECEPTACLE

SERIES

| | |
|-------------------------------------------|-------------------------------------------------|
| WTB Plug, right angle, with mounting ears | WTB Receptacle, straight, with mounting ears |
| | WTB Receptacle, right angle, with mounting ears |

SIZE

| | |
|---------------------------------------------------------------------------------------|---------------------------------------------------------------------------------------|
| XX Number of contacts (10, 14, 20, 24, 26, 30, 36, 40, 44, 50, 54, 56, 60, 66, or 70) | XX Number of contacts (10, 14, 20, 24, 26, 30, 36, 40, 44, 50, 54, 56, 60, 66, or 70) |
|---------------------------------------------------------------------------------------|---------------------------------------------------------------------------------------|

CONTACTS

- The contact type determines image of connector. Pin, right angle contacts are always plug image. Straight pin contacts or socket contacts are receptacle image. See page W-24 to switch the image.

TYPE CONTACTS/TERMINATIONS:

| | |
|-------|--------------------------------------------------|
| PRC | Pin, right angle, solder cup (.035" I.D.) |
| PR7 | Pin, right angle, dip solder, .109" x .025" dia |
| PR9 | Pin, right angle, dip solder, .140" x .025" dia |
| PR11 | Pin, right angle, dip solder, .172" x .025" dia |
| PR13 | Pin, right angle, dip solder, .203" x .025" dia |
| PR15 | Pin, right angle, dip solder, .234" x .025" dia |
| PR23 | Pin, right angle, dip solder, .359" x .025" dia |
| PR30 | Pin, right angle, dip solder, .470" x .025" dia |
| PRW33 | Pin, right angle, wire wrap [®] , .515" |
| PRW40 | Pin, right angle, wire wrap [®] , .625" |

TYPE CONTACTS/TERMINATIONS:

| | |
|-------|----------------------------------------------------|
| SAC | Socket, straight, solder cup (.035" I.D.) |
| SAD7 | Socket, straight, dip solder, .109" x .027" dia |
| SAD9 | Socket, straight, dip solder, .140" x .027" dia |
| SAD11 | Socket, straight, dip solder, .172" x .027" dia |
| SAF3 | Socket, straight, flex circuit, .050" |
| SAF6 | Socket, straight, flex circuit, .093" |
| SAF9 | Socket, straight, flex circuit, .140" |
| SAG7 | Socket, straight, dip solder, .109" x .018" dia |
| SAG9 | Socket, straight, dip solder, .140" x .018" dia |
| SAG11 | Socket, straight, dip solder, .172" x .018" dia |
| SAW24 | Socket, straight, wire wrap [®] , .375" |
| SAW40 | Socket, straight, wire wrap [®] , .625" |
| SOR7 | Socket, right angle, dip solder, .109" x .025" dia |
| SOR9 | Socket, right angle, dip solder, .140" x .025" dia |
| SOR11 | Socket, right angle, dip solder, .172" x .025" dia |

HARDWARE

- Plug facial seal gaskets; order separately or add "Q" in part number. Example: WTB10PR9QJ
 See "Gaskets" in Accessories section for instructions.

| | | | | | | | | | | | | | | | | | | | | | | | | | | | | | | | |
|-----------------------------------------------------------------------------------------------------------------------------------------------------------------------------------------------------------------------------------------------------------------------------------------------------------------------------------------------------------------------------------------------------------------------------------------------------------------------------------------------------------------------|------------------------------|-----------|------|----------------------|-----|-----------------|-------|----------------------------|----|------------------------|-----|------------------------|-----|----------------------------|-----|----------------------------|-----|------------------------------|----------------------------------------------------------------------------------------------------------------------------------------------------------------------------------------------------------------------------------------------------------------------------------------------------------------------------|----|-----------|------|----------------------|-----|-----------------|-------|----------------------------|---|---------------|----|---------------------|
| <table border="0"> <tr><td>SY</td><td>Guide set</td></tr> <tr><td>SY-#</td><td>Guide set, polarized</td></tr> <tr><td>SYL</td><td>Guide set, long</td></tr> <tr><td>SYL-#</td><td>Guide set, long, polarized</td></tr> <tr><td>JT</td><td>Turning jackset, .435"</td></tr> <tr><td>JTA</td><td>Turning jackset, .135"</td></tr> <tr><td>JTB</td><td>Hex turning jackset, .135"</td></tr> <tr><td>JTC</td><td>Hex turning jackset, .435"</td></tr> <tr><td>JTL</td><td>Turning jackset, long, .635"</td></tr> </table> | SY | Guide set | SY-# | Guide set, polarized | SYL | Guide set, long | SYL-# | Guide set, long, polarized | JT | Turning jackset, .435" | JTA | Turning jackset, .135" | JTB | Hex turning jackset, .135" | JTC | Hex turning jackset, .435" | JTL | Turning jackset, long, .635" | <table border="0"> <tr><td>SY</td><td>Guide set</td></tr> <tr><td>SY-#</td><td>Guide set, polarized</td></tr> <tr><td>SYL</td><td>Guide set, long</td></tr> <tr><td>SYL-#</td><td>Guide set, long, polarized</td></tr> <tr><td>J</td><td>Fixed jackset</td></tr> <tr><td>JL</td><td>Fixed jackset, long</td></tr> </table> | SY | Guide set | SY-# | Guide set, polarized | SYL | Guide set, long | SYL-# | Guide set, long, polarized | J | Fixed jackset | JL | Fixed jackset, long |
| SY | Guide set | | | | | | | | | | | | | | | | | | | | | | | | | | | | | | |
| SY-# | Guide set, polarized | | | | | | | | | | | | | | | | | | | | | | | | | | | | | | |
| SYL | Guide set, long | | | | | | | | | | | | | | | | | | | | | | | | | | | | | | |
| SYL-# | Guide set, long, polarized | | | | | | | | | | | | | | | | | | | | | | | | | | | | | | |
| JT | Turning jackset, .435" | | | | | | | | | | | | | | | | | | | | | | | | | | | | | | |
| JTA | Turning jackset, .135" | | | | | | | | | | | | | | | | | | | | | | | | | | | | | | |
| JTB | Hex turning jackset, .135" | | | | | | | | | | | | | | | | | | | | | | | | | | | | | | |
| JTC | Hex turning jackset, .435" | | | | | | | | | | | | | | | | | | | | | | | | | | | | | | |
| JTL | Turning jackset, long, .635" | | | | | | | | | | | | | | | | | | | | | | | | | | | | | | |
| SY | Guide set | | | | | | | | | | | | | | | | | | | | | | | | | | | | | | |
| SY-# | Guide set, polarized | | | | | | | | | | | | | | | | | | | | | | | | | | | | | | |
| SYL | Guide set, long | | | | | | | | | | | | | | | | | | | | | | | | | | | | | | |
| SYL-# | Guide set, long, polarized | | | | | | | | | | | | | | | | | | | | | | | | | | | | | | |
| J | Fixed jackset | | | | | | | | | | | | | | | | | | | | | | | | | | | | | | |
| JL | Fixed jackset, long | | | | | | | | | | | | | | | | | | | | | | | | | | | | | | |

OPTIONS

- Option Codes: Add to the end of the part number. Example: WTB10PR9SY342. Call factory for additional codes.
- 342 Remove mounting ears. (.250" each end)
- 443 Polarizing pin installed in contact position noted by dash number. See "Polarization" in Accessories section. Receptacle connector only.
- 515 Contact position noted by dash number is left open (to mate with -443). For right angle connectors only.
- 548 Bond #4-40 small pattern nut into mounting holes (for right angle plug connectors only).
- B82 Termination face sealed against conformal coating
- D01 Pretinned contact terminations (except solder cups, wire wraps[®] and flex contacts) with 63/37 or 60/40 solder.
- P39 Pretinned contact terminations (except solder cups, wire wraps[®] and flex contacts) with SAC305 solder (lead free).
- D54 Combine -B82 & -D01 options
- G69 Solder cups fixed in an outward orientation (otherwise contacts will rotate)
- 413 Straight pin contacts in right angle plug molding with solder cup terminations extending .100" from face.

= Option not RoHS compliant

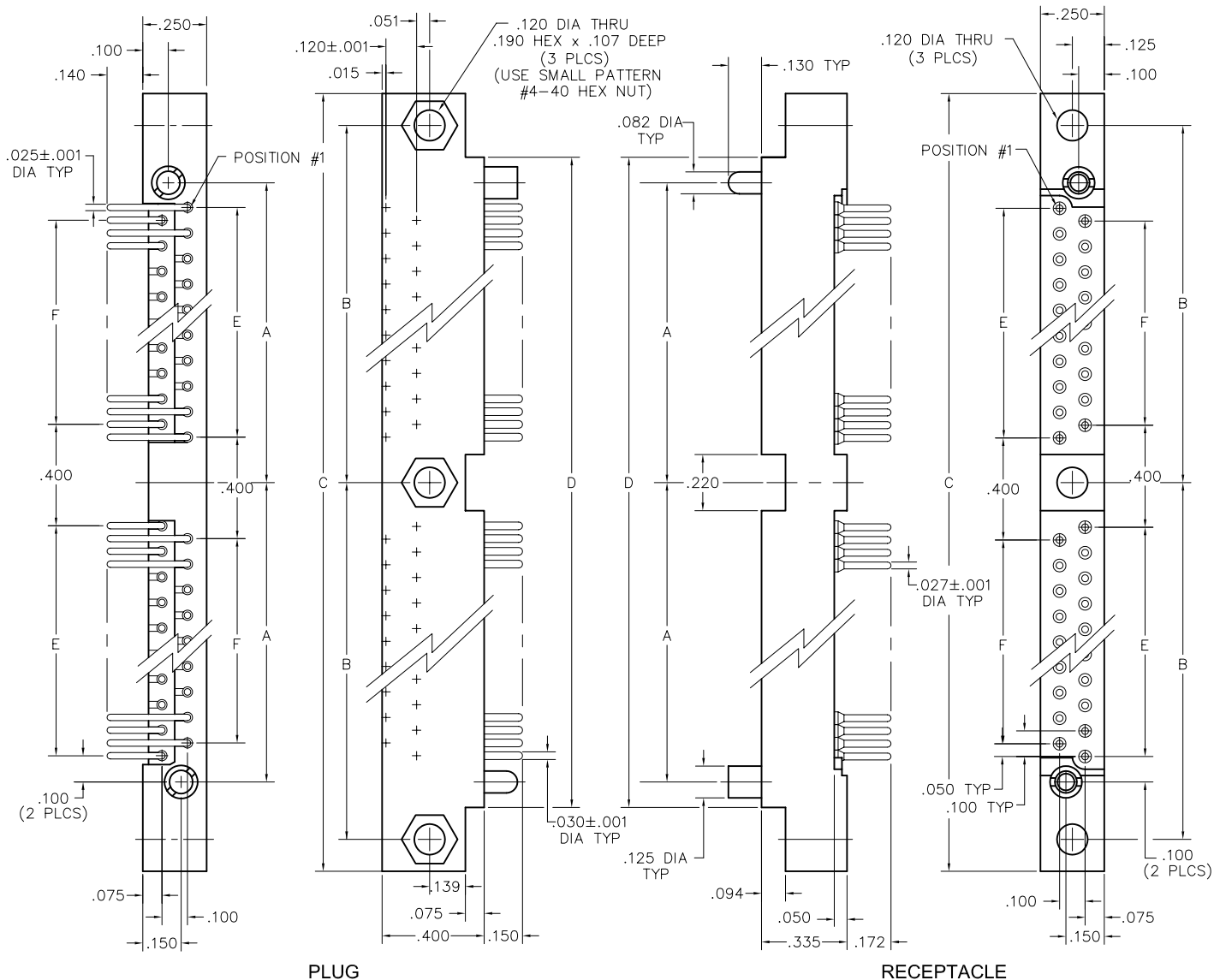
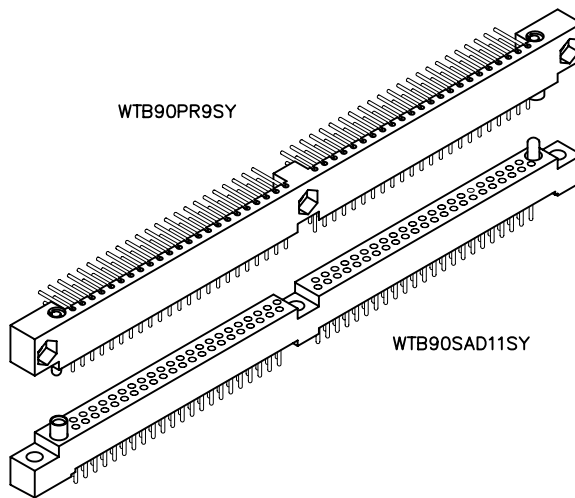


2 • ROW PC Card to Board or Chassis

.100"

WTB - WTB

90, 100 & 120 Contacts



| DIMENSIONS | | | | | | |
|------------|-------|-------|-------|-------|-------|-------|
| SIZE | A | B | C | D | E | F |
| 90 | 2.475 | 2.700 | 5.650 | 5.150 | 2.200 | 2.100 |
| 100 | 2.725 | 2.950 | 6.150 | 5.650 | 2.400 | 2.400 |
| 120 | 3.225 | 3.450 | 7.150 | 6.650 | 2.900 | 2.900 |

PLUG: WTB 90 PR9 SY
 RECEPTACLE: WTB 90 SAD11 SY
 XXXX XX XXXXX XX

PLUG

RECEPTACLE

SERIES

| | |
|-------------------------------------------|-------------------------------------------------|
| WTB Plug, right angle, with mounting ears | WTB Receptacle, straight, with mounting ears |
| | WTB Receptacle, right angle, with mounting ears |

SIZE

| | |
|-----------------------------------------|-----------------------------------------|
| XX Number of contacts (90, 100, or 120) | XX Number of contacts (90, 100, or 120) |
|-----------------------------------------|-----------------------------------------|

CONTACTS

• The contact type determines image of connector. Pin, right angle contacts are always plug image. Straight pin contacts or socket contacts are receptacle image. See page W-24 to switch the image.

TYPE CONTACTS/TERMINATIONS:

| | |
|-------|-------------------------------------------------|
| PRC | Pin, right angle, solder cup (.035" I.D.) |
| PR7 | Pin, right angle, dip solder, .109" x .025" dia |
| PR9 | Pin, right angle, dip solder, .140" x .025" dia |
| PR11 | Pin, right angle, dip solder, .172" x .025" dia |
| PR15 | Pin, right angle, dip solder, .234" x .025" dia |
| PRW33 | Pin, right angle, wire wrap®, .515" |
| PRW40 | Pin, right angle, wire wrap®, .625" |

TYPE CONTACTS/TERMINATIONS:

| | |
|-------|----------------------------------------------------|
| SAC | Socket, straight, solder cup (.035" I.D.) |
| SAD7 | Socket, straight, dip solder, .109" x .027" dia |
| SAD9 | Socket, straight, dip solder, .140" x .027" dia |
| SAD11 | Socket, straight, dip solder, .172" x .027" dia |
| SAF3 | Socket, straight, flex circuit, .050" |
| SAF6 | Socket, straight, flex circuit, .093" |
| SAF9 | Socket, straight, flex circuit, .140" |
| SAG7 | Socket, straight, dip solder, .109" x .018" dia |
| SAG9 | Socket, straight, dip solder, .140" x .018" dia |
| SAG11 | Socket, straight, dip solder, .172" x .018" dia |
| SAW24 | Socket, straight, wire wrap®, .375" |
| SAW40 | Socket, straight, wire wrap®, .625" |
| SOR7 | Socket, right angle, dip solder, .109" x .025" dia |
| SOR9 | Socket, right angle, dip solder, .140" x .025" dia |
| SOR11 | Socket, right angle, dip solder, .172" x .025" dia |

HARDWARE

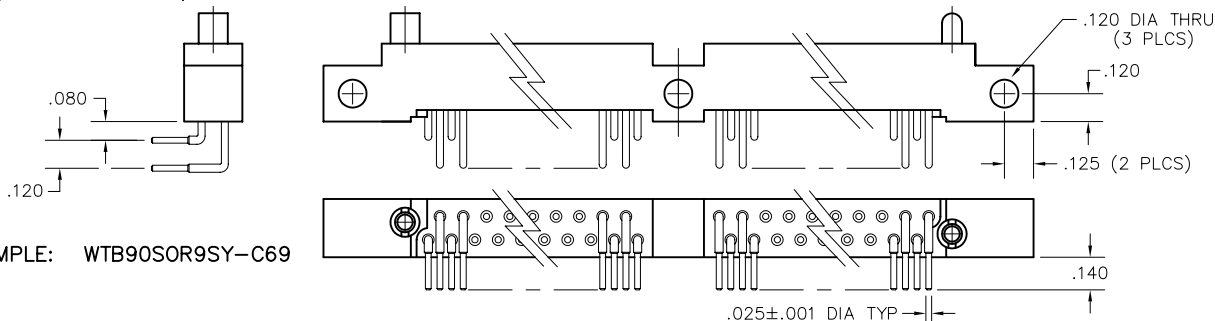
• Plug facial seal gaskets and hoods; order separately or add "Q" in part number. Example: WTB90PR9QJ. See "Gaskets" and "Hoods" in Accessories section for instructions.

| | | | |
|------|------------------------------|------|----------------------|
| SY | Guide set | SY | Guide set |
| SY-# | Guide set, polarized | SY-# | Guide set, polarized |
| SYL | Guide set, long | SYL | Guide set, long |
| JT | Turning jackset, .435" | J | Fixed jackset |
| JTA | Turning jackset, .135" | JL | Fixed jackset, long |
| JTB | Hex turning jackset, .135" | | |
| JTC | Turning jackset, .435" | | |
| JTL | Turning jackset, long, .635" | | |

OPTIONS

- Option Codes: Add to the end of the part number. Example: WTB90PR9SY-D01. Call factory for additional codes.
- 342 Remove mounting ears, (.250" each end)
- 443 Polarizing pin installed in contact position noted by dash number. See "Polarization" in Accessories section. Receptacle connector only.
- 515 Contact position noted by dash number is left open (to mate with -443). For right angle connectors only.
- 548 Bond #4-40 small pattern nut into mounting holes (for right angle plug connectors only).
- B82 Termination face sealed against conformal coating
- D01 Pretinned contact terminations (except solder cups, wire wraps® and flex contacts) with 63/37 or 60/40 solder.
- P39 Pretinned contact terminations (except solder cups, wire wraps® and flex contacts) with SAC305 solder (lead free).
- D54 Combine -B82 & -D01 options
- G69 Solder cups fixed in an outward orientation (otherwise contacts will rotate)
- 413 Straight pin contacts in right angle plug molding, with solder cup terminals extending .100" beyond molding.

= Option not RoHS compliant



EXAMPLE: WTB90SOR9SY-C69

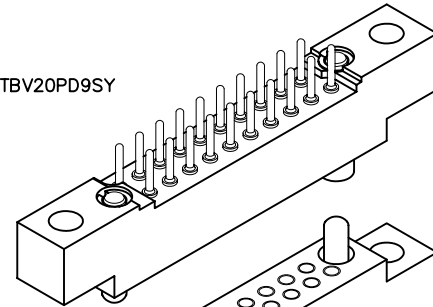
2 • ROW Sandwich Boards

.100"

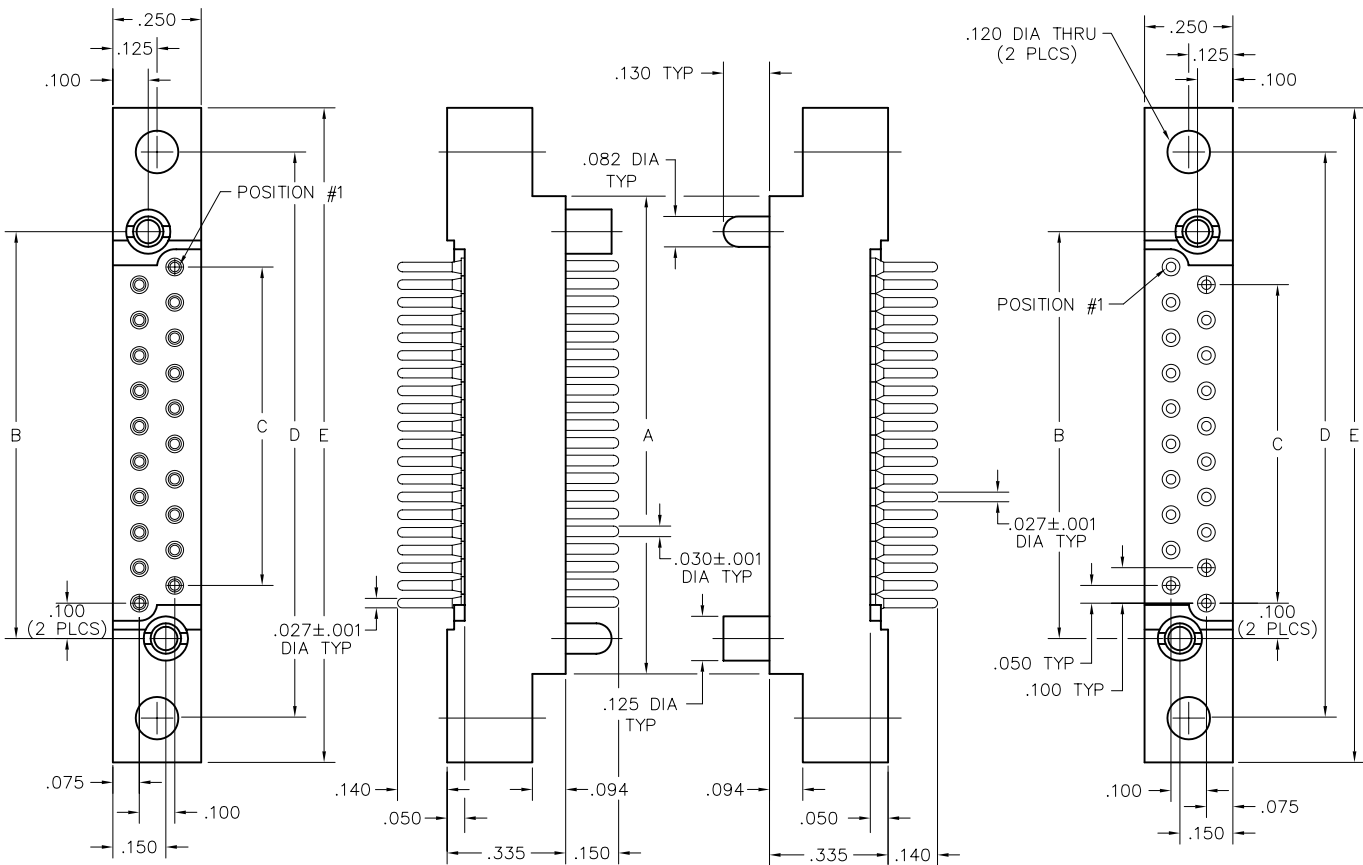
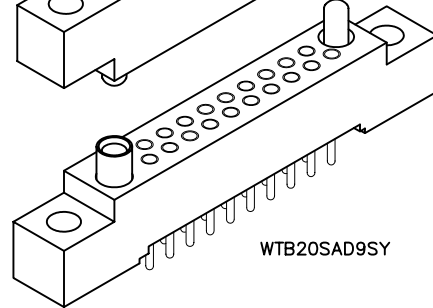
WTBV - WTB

10 thru 70 Contacts

WTBV20PD9SY



WTB20SAD9SY



PLUG

RECEPTACLE

| DIMENSIONS | | | | | | | | | | | |
|------------|-------|-------|-------|-------|-------|------|-------|-------|-------|-------|-------|
| SIZE | A | B | C | D | E | SIZE | A | B | C | D | E |
| 10 | .850 | .650 | .400 | 1.100 | 1.350 | 44 | 2.550 | 2.350 | 2.100 | 2.800 | 3.050 |
| 14 | 1.050 | .850 | .600 | 1.300 | 1.550 | 50 | 2.850 | 2.650 | 2.400 | 3.100 | 3.350 |
| 20 | 1.350 | 1.150 | .900 | 1.600 | 1.850 | 54 | 3.050 | 2.850 | 2.600 | 3.300 | 3.550 |
| 24 | 1.550 | 1.350 | 1.100 | 1.800 | 2.050 | 56 | 3.150 | 2.950 | 2.700 | 3.400 | 3.650 |
| 26 | 1.650 | 1.450 | 1.200 | 1.900 | 2.150 | 60 | 3.350 | 3.150 | 2.900 | 3.600 | 3.850 |
| 30 | 1.850 | 1.650 | 1.400 | 2.100 | 2.350 | 66 | 3.650 | 3.450 | 3.200 | 3.900 | 4.150 |
| 36 | 2.150 | 1.950 | 1.700 | 2.400 | 2.650 | 70 | 3.850 | 3.650 | 3.400 | 4.100 | 4.350 |
| 40 | 2.350 | 2.150 | 1.900 | 2.600 | 2.850 | | | | | | |

PLUG: WTBV 20 PD9 SY
 RECEPTACLE: WTB 20 SAD9 SY
 XXXX XX XXXX XX

| PLUG | | RECEPTACLE | |
|--------|------------------------------------|------------|---------------------------------------------|
| SERIES | | | |
| WTBV | Plug, straight, with mounting ears | WTB | Receptacle, straight, with mounting ears |
| | | WTB | Receptacle, right angle, with mounting ears |

| SIZE | | | |
|------|------------------------------------------------------------------------------------|----|------------------------------------------------------------------------------------|
| XX | Number of contacts (10, 14, 20, 24, 26, 30, 36, 40, 44, 50, 54, 56, 60, 66, or 70) | XX | Number of contacts (10, 14, 20, 24, 26, 30, 36, 40, 44, 50, 54, 56, 60, 66, or 70) |

CONTACTS

- Pin or socket contacts can be used in either plug or receptacle.
- When pin contacts are used, standard hardware orientation places the female hardware next to the #1 pin contact.
- When socket contacts are used, standard hardware orientation places the male hardware next to the #1 socket contact.

TYPE CONTACTS/TERMINATIONS:

| | |
|------|-----------------------------------------------|
| PC | Pin, straight, solder cup (.035" I.D.) |
| PD7 | Pin, straight, dip solder, .109" x .027" dia |
| PD9 | Pin, straight, dip solder, .140" x .027" dia |
| PD11 | Pin, straight, dip solder, .172" x .027" dia |
| PD13 | Pin, straight, dip solder, .203" x .027" dia |
| PF3 | Pin, straight, flex circuit, .050" |
| PF6 | Pin, straight, flex circuit, .093" |
| PF8 | Pin, straight, flex circuit, .125" |
| PW34 | Pin, straight, wire wrap [®] , .531" |
| PW40 | Pin, straight, wire wrap [®] , .625" |

TYPE CONTACTS/TERMINATIONS:

| | |
|-------|------------------------------------------------------------|
| SAC | Socket, straight, solder cup (.035" I.D.) |
| SAD7 | Socket, straight, dip solder, .109" x .027" dia |
| SAD9 | Socket, straight, dip solder, .140" x .027" dia |
| SAD11 | Socket, straight, dip solder, .172" x .027" dia |
| SAF3 | Socket, straight, flex circuit, .050" |
| SAF6 | Socket, straight, flex circuit, .093" |
| SAF9 | Socket, straight, flex circuit, .140" |
| SAG7 | Socket, straight, dip solder, .109" x .018" dia |
| SAG9 | Socket, straight, dip solder, .140" x .018" dia |
| SAG11 | Socket, straight, dip solder, .172" x .018" dia |
| SAP | Socket, straight, pin termination, .150" (connector saver) |
| SAW24 | Socket, straight, wire wrap [®] , .375" |
| SAW40 | Socket, straight, wire wrap [®] , .625" |
| SOR7 | Socket, right angle, dip solder, .109" x .025" dia |
| SOR9 | Socket, right angle, dip solder, .140" x .025" dia |
| SOR11 | Socket, right angle, dip solder, .172" x .025" dia |

HARDWARE

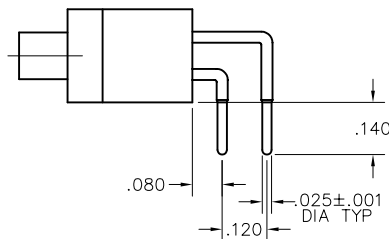
- Plug facial seal gaskets and hoods; order separately or add "Q" in part number. Example: WTBV10PD9QJ. See "Gaskets" and "Hoods" in Accessories section for instructions.

| | | | |
|------|------------------------------|------|----------------------|
| SY | Guide set | SY | Guide set |
| SY-# | Guide set, polarized | SY-# | Guide set, polarized |
| SYL | Guide set, long | SYL | Guide set, long |
| JT | Turning jackset, .500" | J | Fixed jackset |
| JTA | Turning jackset, .200" | JL | Fixed jackset, long |
| JTB | Hex turning jackset, .200" | | |
| JTC | Hex turning jackset, .500" | | |
| JTL | Turning jackset, long, .700" | | |

OPTIONS

- Option Codes: Add to the end of the part number. Example: WTBV20PD9SY-D01. Call factory for additional codes.
- B82 Termination face sealed against conformal coating
- D01 Pretinned contact terminations (except solder cups, wire wraps[®] and flex contacts) with 63/37 or 60/40 solder.
- P39 Pretinned contact terminations (except solder cups, wire wraps[®] and flex contacts) with SAC305 solder (lead free).
- D54 Combine -B82 & -D01 options
- G69 Solder cups fixed in an outward orientation (otherwise contacts will rotate)

= Option not RoHS compliant



CONTACT OPTION: SOR9



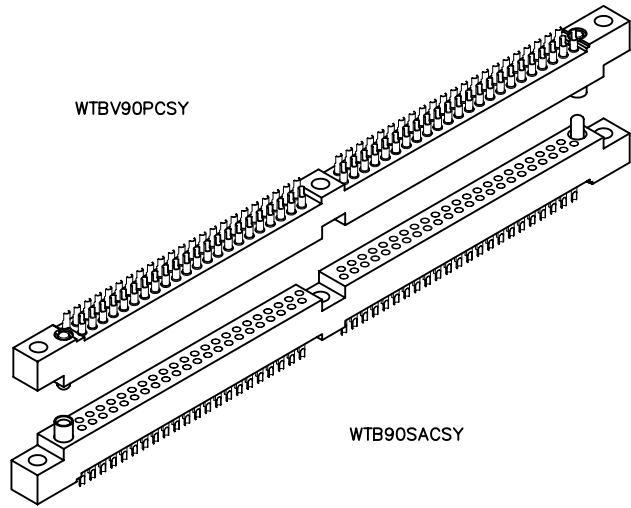
2 · ROW Sandwich Boards

.100"

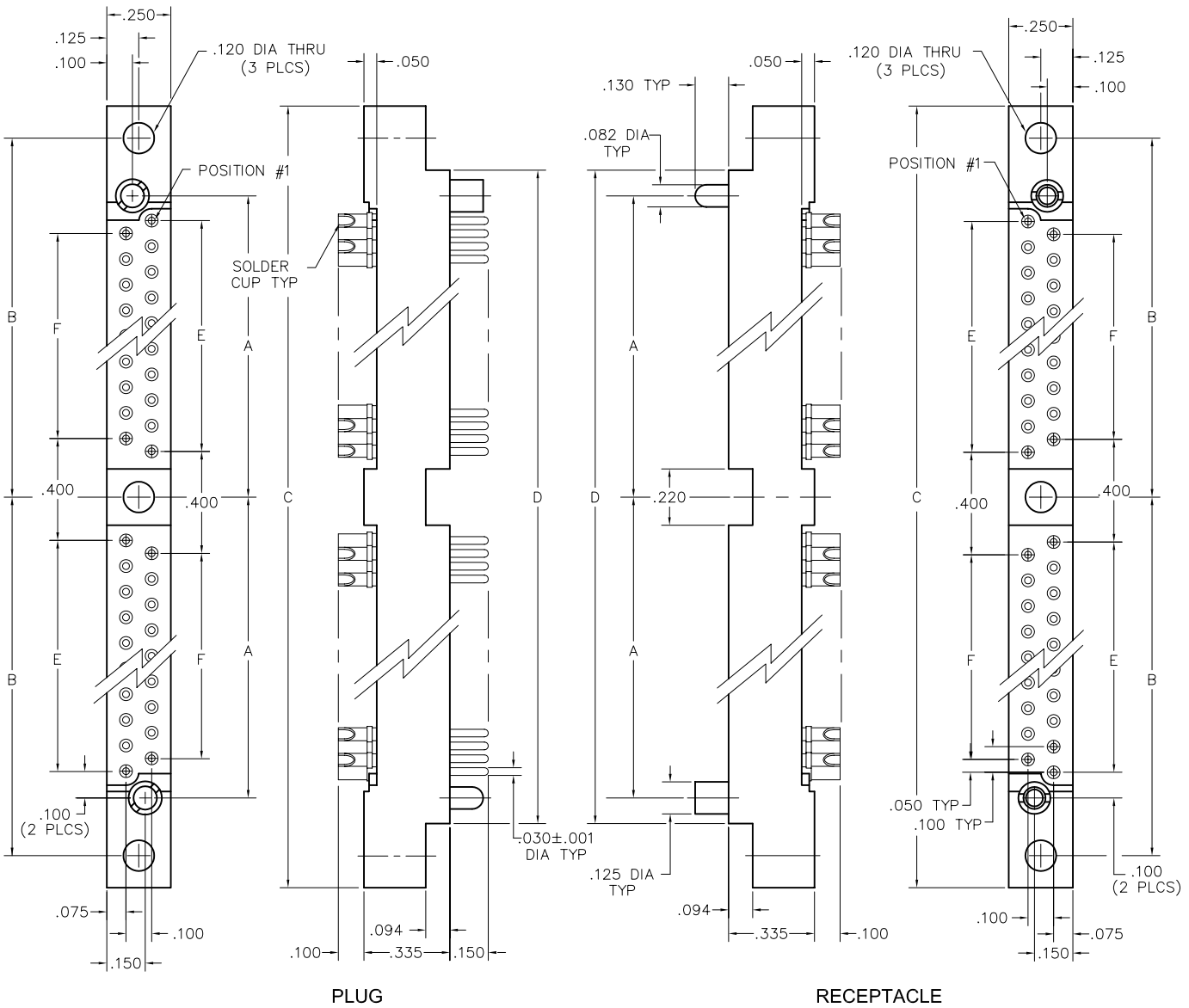
WTBV - WTB

90 & 100 Contacts

WTBV90PCSY



WTB90SACSY



| DIMENSIONS | | | | | | |
|------------|-------|-------|-------|-------|-------|-------|
| SIZE | A | B | C | D | E | F |
| 90 | 2.475 | 2.700 | 5.650 | 5.150 | 2.200 | 2.100 |
| 100 | 2.725 | 2.950 | 6.150 | 5.650 | 2.400 | 2.400 |

PLUG: WTBV 90 PC SY
 RECEPTACLE: WTB 90 SAC SY
 XXXX XX XXX XX

| PLUG | RECEPTACLE |
|-----------------------------------------|-------------------------------------------------------------------------------------------------|
| SERIES | |
| WTBV Plug, straight, with mounting ears | WTB Receptacle, straight, with mounting ears WTB Receptacle, right angle, with mounting ears |

| SIZE | |
|-----------------------------------|-----------------------------------|
| XX Number of contacts (90 or 100) | XX Number of contacts (90 or 100) |

CONTACTS

- Pin or socket contacts can be used in either plug or receptacle.
- When pin contacts are used, standard hardware orientation places the female hardware next to the #1 pin contact.
- When socket contacts are used, standard hardware orientation places the male hardware next to the #1 socket contact.

| TYPE CONTACTS/TERMINATIONS: | |
|----------------------------------------------------|----------------------------------------------------------------|
| PC Pin, straight, solder cup (.035" I.D.) | SAC Socket, straight, solder cup (.035" I.D.) |
| PD7 Pin, straight, dip solder, .109" x .027" dia | SAD7 Socket, straight, dip solder, .109" x .027" dia |
| PD9 Pin, straight, dip solder, .140" x .027" dia | SAD9 Socket, straight, dip solder, .140" x .027" dia |
| PD11 Pin, straight, dip solder, .172" x .027" dia | SAD11 Socket, straight, dip solder, .172" x .027" dia |
| PD13 Pin, straight, dip solder, .203" x .027" dia | SAF3 Socket, straight, flex circuit, .050" |
| PF3 Pin, straight, flex circuit, .050" | SAF6 Socket, straight, flex circuit, .093" |
| PF6 Pin, straight, flex circuit, .093" | SAF9 Socket, straight, flex circuit, .140" |
| PF8 Pin, straight, flex circuit, .125" | SAG7 Socket, straight, dip solder, .109" x .018" dia |
| PW34 Pin, straight, wire wrap [®] , .531" | SAG9 Socket, straight, dip solder, .140" x .018" dia |
| PW40 Pin, straight, wire wrap [®] , .625" | SAG11 Socket, straight, dip solder, .172" x .018" dia |
| | SAP Socket, straight, pin termination, .150" (connector saver) |
| | SAW24 Socket, straight, wire wrap [®] , .375" |
| | SAW40 Socket, straight, wire wrap [®] , .625" |
| | SOR7 Socket, right angle, dip solder, .109" x .025" dia |
| | SOR9 Socket, right angle, dip solder, .140" x .025" dia |
| | SOR11 Socket, right angle, dip solder, .172" x .025" dia |

HARDWARE

- Plug facial seal gaskets and hoods; order separately or add "Q" in part number. Example: WTBV90PD9QJ. See "Gaskets" and "Hoods" in Accessories section for instructions.

| | |
|----------------------------------|---------------------------|
| SY Guide set | SY Guide set |
| SY-# Guide set, polarized | SY-# Guide set, polarized |
| SYL Guide set, long | SYL Guide set, long |
| JT Turning jackset, .500" | J Fixed jackset |
| JTA Turning jackset, .200" | JL Fixed jackset, long |
| JTB Hex turning jackset, .200" | |
| JTC Hex turning jackset, .500" | |
| JTL Turning jackset, long, .700" | |

OPTIONS

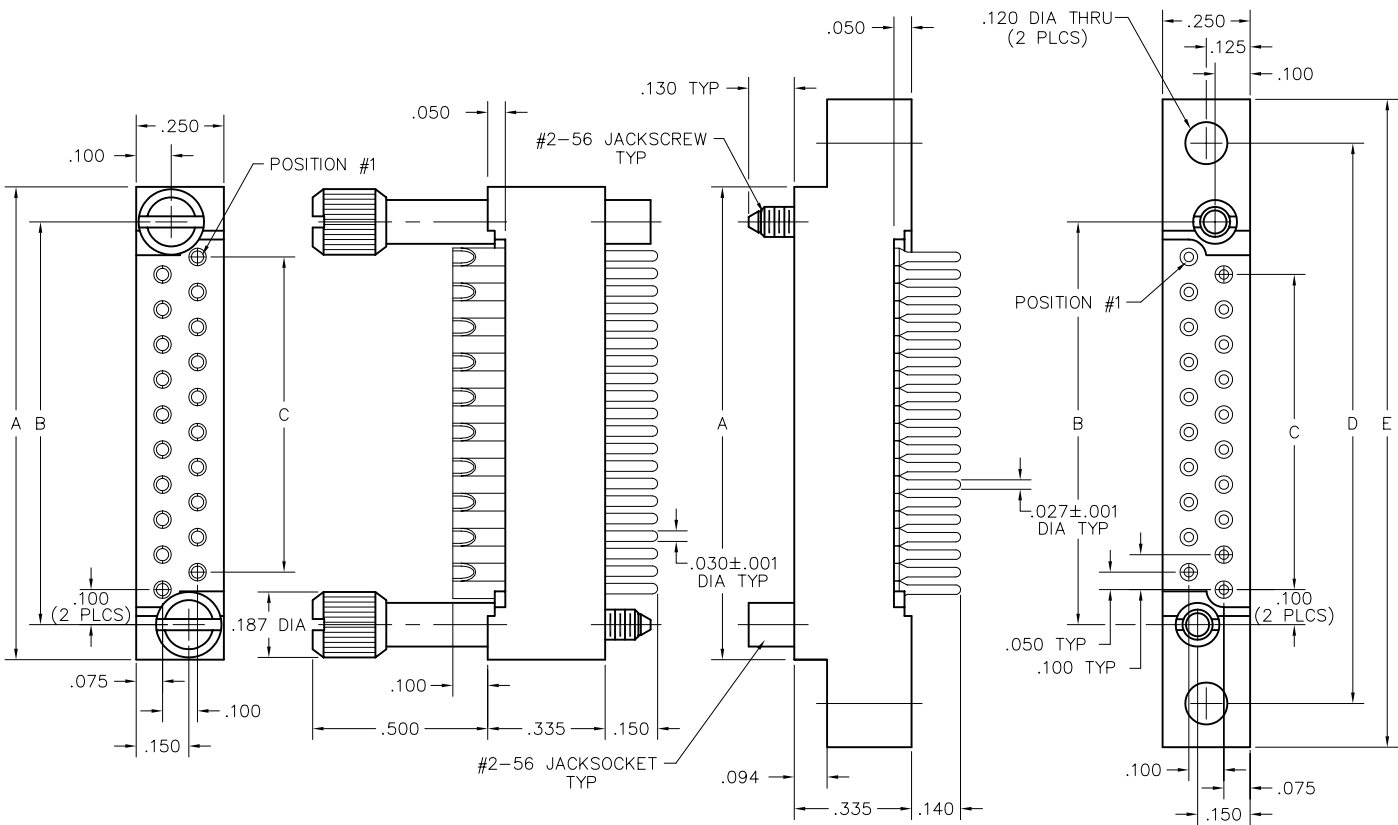
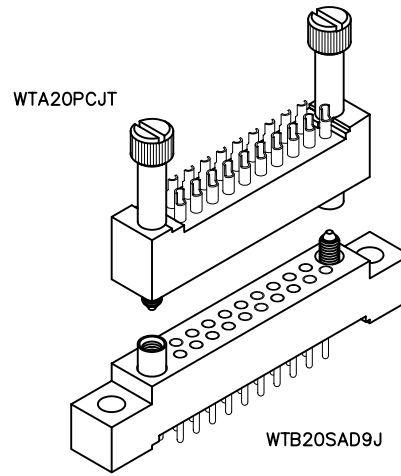
- Option Codes: Add to the end of the part number. Example: WTBV100PD9SY-D01. Call factory for additional codes.
 - B82 Termination face sealed against conformal coating
 - 342 Remove mounting ears (.250" each end)
 - D01 Pretinned contact terminations (except solder cups, wire wraps[®] and flex contacts) with 63/37 or 60/40 solder.
 - P39 Pretinned contact terminations (except solder cups, wire wraps[®] and flex contacts) with SAC305 solder (lead free).
 - D54 Combine -B82 & -D01 options
 - G69 Solder cups fixed in an outward orientation (otherwise contacts will rotate)
- = Option not RoHS compliant

2 • ROW Cable to Board or PC Card

.100"

WTA - WTB

10 thru 70 Contacts



PLUG

RECEPTACLE

| DIMENSIONS | | | | | | | | | | | |
|------------|-------|-------|-------|-------|-------|------|-------|-------|-------|-------|-------|
| SIZE | A | B | C | D | E | SIZE | A | B | C | D | E |
| 10 | .850 | .650 | .400 | 1.100 | 1.350 | 44 | 2.550 | 2.350 | 2.100 | 2.800 | 3.050 |
| 14 | 1.050 | .850 | .600 | 1.300 | 1.550 | 50 | 2.850 | 2.650 | 2.400 | 3.100 | 3.350 |
| 20 | 1.350 | 1.150 | .900 | 1.600 | 1.850 | 54 | 3.050 | 2.850 | 2.600 | 3.300 | 3.550 |
| 24 | 1.550 | 1.350 | 1.100 | 1.800 | 2.050 | 56 | 3.150 | 2.950 | 2.700 | 3.400 | 3.650 |
| 26 | 1.650 | 1.450 | 1.200 | 1.900 | 2.150 | 60 | 3.350 | 3.150 | 2.900 | 3.600 | 3.850 |
| 30 | 1.850 | 1.650 | 1.400 | 2.100 | 2.350 | 66 | 3.650 | 3.450 | 3.200 | 3.900 | 4.150 |
| 36 | 2.150 | 1.950 | 1.700 | 2.400 | 2.650 | 70 | 3.850 | 3.650 | 3.400 | 4.100 | 4.350 |
| 40 | 2.350 | 2.150 | 1.900 | 2.600 | 2.850 | | | | | | |

PLUG: WTA 20 PC JT
 RECEPTACLE: WTB 20 SAD9 J
 XXX XX XXXX XX

| PLUG | | RECEPTACLE | |
|--------|---------------------------------------|------------|---------------------------------------------|
| SERIES | | | |
| WTA | Plug, straight, without mounting ears | WTB | Receptacle, straight, with mounting ears |
| | | WTB | Receptacle, right angle, with mounting ears |

| SIZE | | | |
|------|------------------------------------------------------------------------------------|----|------------------------------------------------------------------------------------|
| XX | Number of contacts (10, 14, 20, 24, 26, 30, 36, 40, 44, 50, 54, 56, 60, 66, or 70) | XX | Number of contacts (10, 14, 20, 24, 26, 30, 36, 40, 44, 50, 54, 56, 60, 66, or 70) |

| CONTACTS | | | |
|------------------------------------------------------------------------------------------------------------------------------------------------------------------------------------------------------------------------------------------------------------------------------------------------------------------------------------------------------------------------------------------------------------------------------------------------------------------------------------------------------------------------------------------------------------------------------------------------------------------------------------------------------------------|-----------------------------------------------|-----------------------------|------------------------------------------------------------|
| <ul style="list-style-type: none"> Pin or socket contacts can be used in either plug or receptacle. WTA connectors - jackset hardware determines the image. Must specify image with guide set hardware. See page W-17. WTB connectors - contacts determine the image. Right angle pin contacts are always plug image, and straight pin or sockets are receptacle image. When pin contacts are used, standard hardware orientation places the female hardware next to the #1 pin contact. When socket contacts are used, standard hardware orientation places the male hardware next to the #1 socket contact. | | | |
| TYPE CONTACTS/TERMINATIONS: | | TYPE CONTACTS/TERMINATIONS: | |
| PC | Pin, straight, solder cup (.035" I.D.) | SAC | Socket, straight, solder cup (.035" I.D.) |
| PD7 | Pin, straight, dip solder, .109" x .027" dia | SAD7 | Socket, straight, dip solder, .109" x .027" dia |
| PD9 | Pin, straight, dip solder, .140" x .027" dia | SAD9 | Socket, straight, dip solder, .140" x .027" dia |
| PD11 | Pin, straight, dip solder, .172" x .027" dia | SAD11 | Socket, straight, dip solder, .172" x .027" dia |
| PD13 | Pin, straight, dip solder, .203" x .027" dia | SAF3 | Socket, straight, flex circuit, .050" |
| PF3 | Pin, straight, flex circuit, .050" | SAF6 | Socket, straight, flex circuit, .093" |
| PF6 | Pin, straight, flex circuit, .093" | SAF9 | Socket, straight, flex circuit, .140" |
| PF8 | Pin, straight, flex circuit, .125" | SAG7 | Socket, straight, dip solder, .109" x .018" dia |
| PW34 | Pin, straight, wire wrap [®] , .531" | SAG9 | Socket, straight, dip solder, .140" x .018" dia |
| PW40 | Pin, straight, wire wrap [®] , .625" | SAG11 | Socket, straight, dip solder, .172" x .018" dia |
| | | SAP | Socket, straight, pin termination, .150" (connector saver) |
| | | SAW24 | Socket, straight, wire wrap [®] , .375" |
| | | SAW40 | Socket, straight, wire wrap [®] , .625" |
| | | SOR7 | Socket, right angle, dip solder, .109" x .025" dia |
| | | SOR9 | Socket, right angle, dip solder, .140" x .025" dia |
| | | SOR11 | Socket, right angle, dip solder, .172" x .025" dia |

| HARDWARE | | | |
|---------------------------------------------------------------------------------------------------------------------------------------------------------------------------------------------------------------------------|------------------------------|----|---------------------|
| <ul style="list-style-type: none"> Plug facial seal gaskets and hoods; order separately or add "Q" in part number. Example: WTA10PD9QJ. See "Gaskets" and "Hoods" in Accessories section for instructions. | | | |
| JT | Turning jackset, .500" | J | Fixed jackset |
| JTA | Turning jackset, .200" | JL | Fixed jackset, long |
| JTB | Hex turning jackset, .200" | | |
| JTC | Hex turning jackset, .500" | | |
| JTL | Turning jackset, long, .700" | | |

| OPTIONS | |
|----------------------------------------------------------------------------------------------------------------------------------------------------------------|----------------------------------------------------------------------------------------------------------------------------------------------------------------|
| <ul style="list-style-type: none"> Option Codes: Add to the end of the part number. Example: WTA10SAD9J-D01. Call factory for additional codes. | |
| -B82 | Termination face sealed against conformal coating |
| -342 | Remove mounting ears (.250" each end) |
| -D01 | Pretinned contact terminations (except solder cups, wire wraps [®] and flex contacts) with 63/37 or 60/40 solder. <input checked="" type="checkbox"/> |
| -P39 | Pretinned contact terminations (except solder cups, wire wraps [®] and flex contacts) with SAC305 solder (lead free). |
| -D54 | Combine -B82 & -D01 options |
| -G69 | Solder cups fixed in an outward orientation (otherwise contacts will rotate) |
| ☒ = Option not RoHS compliant | |



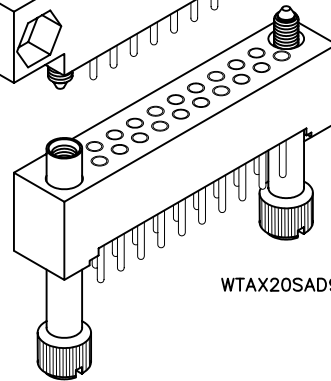
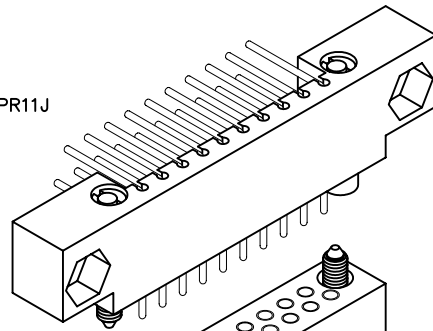
2 • ROW PC Card to Board or PC Card

.100"

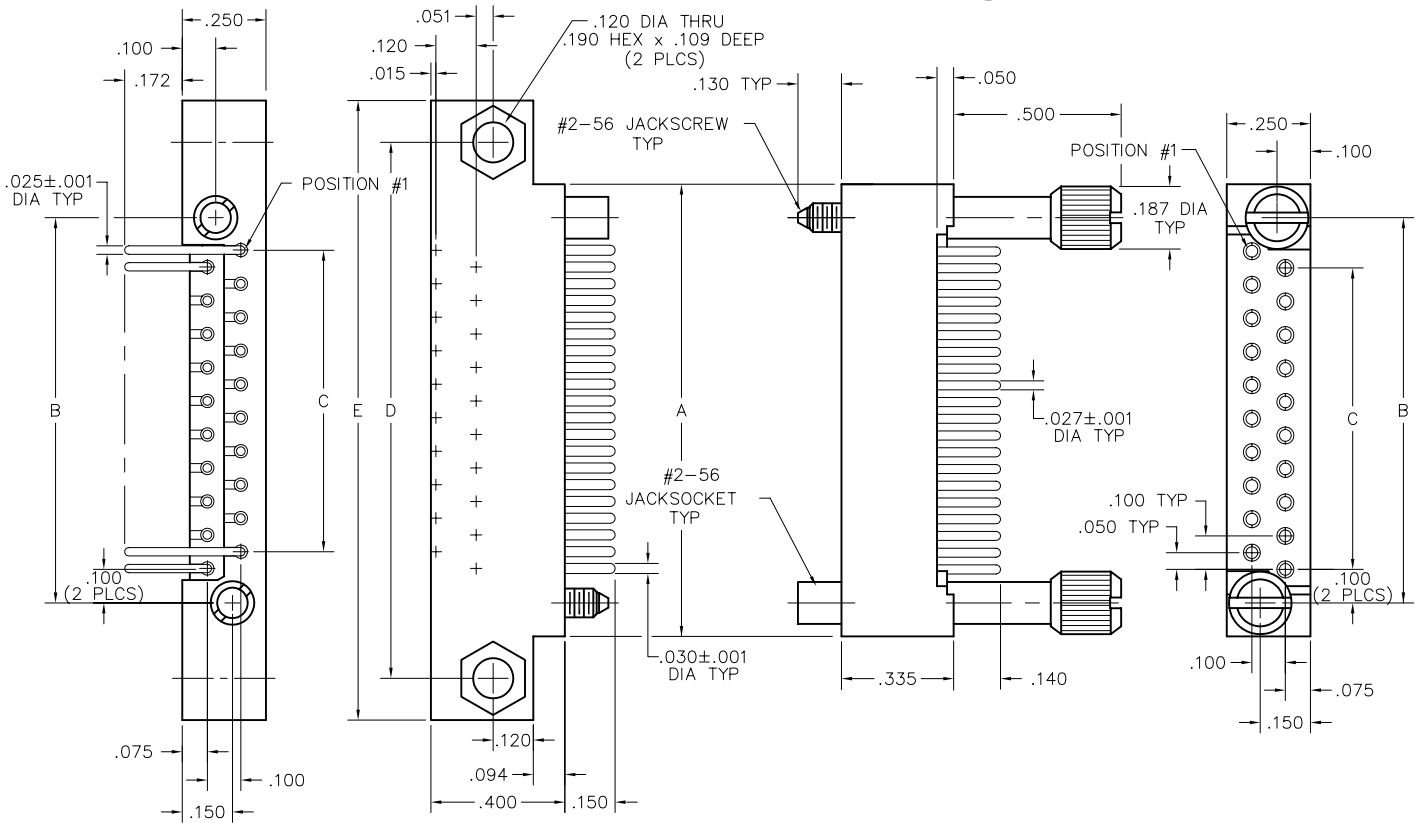
WTB-WTAX

10 thru 70 Contacts

WTB20PR11J



WTAX20SAD9JT



PLUG

RECEPTACLE

| DIMENSIONS | | | | | | | | | | | |
|------------|-------|-------|-------|-------|-------|------|-------|-------|-------|-------|-------|
| SIZE | A | B | C | D | E | SIZE | A | B | C | D | E |
| 10 | .850 | .650 | .400 | 1.100 | 1.350 | 44 | 2.550 | 2.350 | 2.100 | 2.800 | 3.050 |
| 14 | 1.050 | .850 | .600 | 1.300 | 1.550 | 50 | 2.850 | 2.650 | 2.400 | 3.100 | 3.350 |
| 20 | 1.350 | 1.150 | .900 | 1.600 | 1.850 | 54 | 3.050 | 2.850 | 2.600 | 3.300 | 3.550 |
| 24 | 1.550 | 1.350 | 1.100 | 1.800 | 2.050 | 56 | 3.150 | 2.950 | 2.700 | 3.400 | 3.650 |
| 26 | 1.650 | 1.450 | 1.200 | 1.900 | 2.150 | 60 | 3.350 | 3.150 | 2.900 | 3.600 | 3.850 |
| 30 | 1.850 | 1.650 | 1.400 | 2.100 | 2.350 | 66 | 3.650 | 3.450 | 3.200 | 3.900 | 4.150 |
| 36 | 2.150 | 1.950 | 1.700 | 2.400 | 2.650 | 70 | 3.850 | 3.650 | 3.400 | 4.100 | 4.350 |
| 40 | 2.350 | 2.150 | 1.900 | 2.600 | 2.850 | | | | | | |

PLUG: WTB 20 PR11 J
 RECEPTACLE: WTAX 20 SAD9 JT
 XXXX XX XXXX XX

| PLUG | | RECEPTACLE | |
|--------|---------------------------------------|------------|---------------------------------------------|
| SERIES | | | |
| WTB | Plug, right angle, with mounting ears | WTAX | Receptacle, straight, without mounting ears |

| SIZE | | | |
|------|------------------------------------------------------------------------------------|----|------------------------------------------------------------------------------------|
| XX | Number of contacts (10, 14, 20, 24, 26, 30, 36, 40, 44, 50, 54, 56, 60, 66, or 70) | XX | Number of contacts (10, 14, 20, 24, 26, 30, 36, 40, 44, 50, 54, 56, 60, 66, or 70) |

CONTACTS

| | |
|----------------------------------------------------------------------------------------------------------------------------------------------------------------------------------------------------------------------------------------------------------------------------------------------------------------------------------------------------------------------------------------------------------------------------------------------------------------------------------------------------------|---------------------------------------------------------------------------------------------------------------------------------------------------------------------------------------------------------------------------------------------------------------------------------------------------------------------------------------------------------------------------------------------------------------------------------------------------------------------------------------------------------------------------------------------------------------------------------------------------------------------------------------------------------------------------------------------------------------------------------------------------------------------------------------------------------------------------------------------------------------------------------------------------------------------------------------------------------------------------------------------------------------------------------------------------------------------------------------------------------------------------------|
| <ul style="list-style-type: none"> When pin contacts are used, standard hardware orientation places the female hardware next to the #1 pin contact. When socket contacts are used, standard hardware orientation places the male hardware next to the #1 socket contact. | |
| <p>TYPE CONTACTS/TERMINATIONS:</p> <p>PR7 Pin, right angle, dip solder, .109" x .025" dia PR9 Pin, right angle, dip solder, .140" x .025" dia PR11 Pin, right angle, dip solder, .172" x .025" dia PR15 Pin, right angle, dip solder, .234" x .025" dia PRC Pin, right angle, solder cup (.035" I.D.) PRW33 Pin, right angle, wire wrap[®], .515" PRW40 Pin, right angle, wire wrap[®], .625"</p> | <p>TYPE CONTACTS/TERMINATIONS:</p> <p>SAC Socket, straight, solder cup (.035" I.D.) SAD7 Socket, straight, dip solder, .109" x .027" dia SAD9 Socket, straight, dip solder, .140" x .027" dia SAD11 Socket, straight, dip solder, .172" x .027" dia SAD15 Socket, straight, dip solder, .234" x .027" dia SAF3 Socket, straight, flex circuit, .050" SAF6 Socket, straight, flex circuit, .093" SAG7 Socket, straight, dip solder, .109" x .018" dia SAG9 Socket, straight, dip solder, .140" x .018" dia SAG11 Socket, straight, dip solder, .172" x .018" dia SAP Socket, straight, pin termination, .150" (connector saver) SAW24 Socket, straight, wire wrap[®], .375" SAW40 Socket, straight, wire wrap[®], .625" SOR7 Socket, right angle, dip solder, .109" x .025" dia SOR9 Socket, right angle, dip solder, .140" x .025" dia SOR11 Socket, right angle, dip solder, .172" x .025" dia</p> |

HARDWARE

| | | | |
|--------------------------------------------------------------------------------------------------------------------------------------------------------------------------------------------------------------------------------------------------------------------------------------------------------------|---------------------------------------------------------------------------------------------------------------------------------------------------------------------------------------------------------------------------------------------------------------------------------------------------------------------------------------------------------------------------------------------------------------------------------|--|--|
| <ul style="list-style-type: none"> Plug facial seal gaskets and hoods; order separately or add "Q" in part number. Example: WTB20PR11QJ. See "Gaskets" and "Hoods" in Accessories section for instructions. | | | |
| <p>SY Guide set SY-# Guide set, polarized J Fixed jackset JT Turning jackset, .435" JTA Turning jackset, .135" JTB Hex turning jackset, .135" JTC Hex turning jackset, .435" JTL Turning jackset, long, .635"</p> | <p>SY Guide set SY-# Guide set, polarized SYL Guide set, long SYL-# Guide set, long, polarized J Fixed jackset JL Fixed jackset, long JT Turning jackset, .500" JTA Turning jackset, .200" JTB Hex turning jackset, .200" JTC Hex turning jackset, .500" JTL Turning jackset, long, .700"</p> | | |

OPTIONS

- Option Codes: Add to the end of the part number. Example: WTB10SAD9J-D01. Call factory for additional codes.
 - 342 Remove mounting ears (.250" each end)
 - 548 Bond #4-40 small pattern nut into mounting holes (for right angle plug connectors only).
 - D01 Pretinned contact terminations (except solder cups, wire wraps[®] and flex contacts) with 63/37 or 60/40 solder.
 - P39 Pretinned contact terminations (except solder cups, wire wraps[®] and flex contacts) with SAC305 solder (lead free).
 - D54 Combine -B82 & -D01 options
 - G69 Solder cups fixed in an outward orientation (otherwise contacts will rotate)
 - B82 Termination face sealed against conformal coating. Receptacle connector only.
- = Option not RoHS compliant



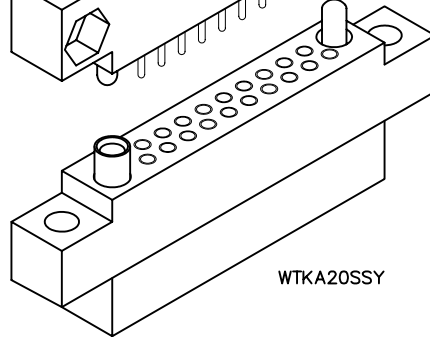
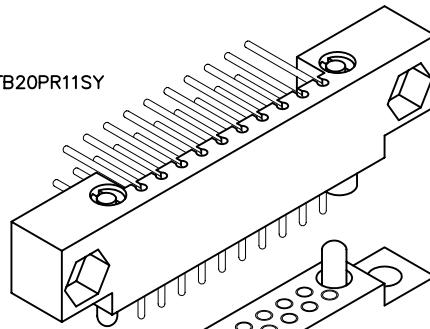
2 • ROW PC Card to Chassis

.100"

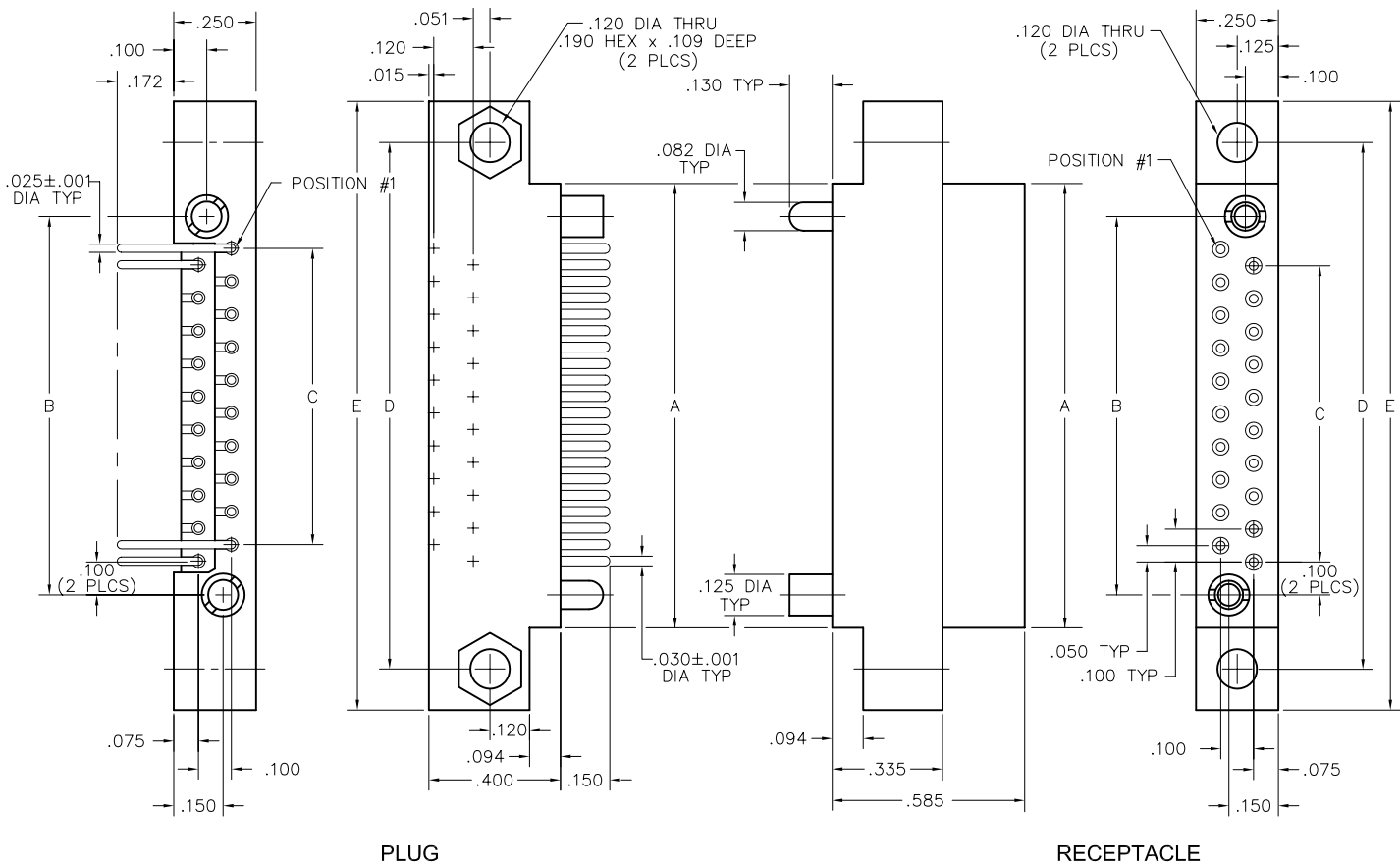
WTB - WTKA

10 thru 70 Contacts

WTB20PR11SY



WTKA20SSY



| DIMENSIONS | | | | | | | | | | | |
|------------|-------|-------|-------|-------|-------|------|-------|-------|-------|-------|-------|
| SIZE | A | B | C | D | E | SIZE | A | B | C | D | E |
| 10 | .850 | .650 | .400 | 1.100 | 1.350 | 44 | 2.550 | 2.350 | 2.100 | 2.800 | 3.050 |
| 14 | 1.050 | .850 | .600 | 1.300 | 1.550 | 50 | 2.850 | 2.650 | 2.400 | 3.100 | 3.350 |
| 20 | 1.350 | 1.150 | .900 | 1.600 | 1.850 | 54 | 3.050 | 2.850 | 2.600 | 3.300 | 3.550 |
| 24 | 1.550 | 1.350 | 1.100 | 1.800 | 2.050 | 56 | 3.150 | 2.950 | 2.700 | 3.400 | 3.650 |
| 26 | 1.650 | 1.450 | 1.200 | 1.900 | 2.150 | 60 | 3.350 | 3.150 | 2.900 | 3.600 | 3.850 |
| 30 | 1.850 | 1.650 | 1.400 | 2.100 | 2.350 | 66 | 3.650 | 3.450 | 3.200 | 3.900 | 4.150 |
| 36 | 2.150 | 1.950 | 1.700 | 2.400 | 2.650 | 70 | 3.850 | 3.650 | 3.400 | 4.100 | 4.350 |
| 40 | 2.350 | 2.150 | 1.900 | 2.600 | 2.850 | | | | | | |

PLUG: WTB 20 PR11 SY
 RECEPTACLE: WTKA 20 S SY
 XXXX XX XXXX XX

PLUG

RECEPTACLE

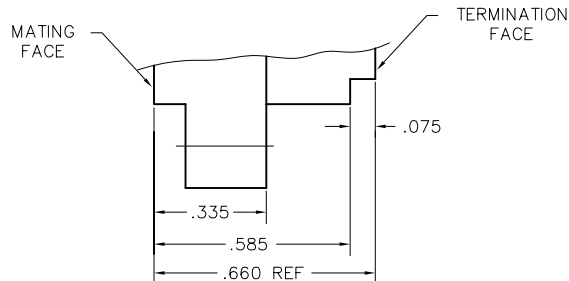
| SERIES | |
|--------------------------------------------------------------------------------------------------------------------------------------------------------------|----------------------------------------------------------------|
| WTB Plug, right angle, with mounting ears | WTKA Receptacle, straight, crimp removable, with mounting ears |
| <ul style="list-style-type: none"> WTKA and WTDXA connectors will mate with WTA, WTAV, WTB, WTBV connectors. "A" means contacts are included. | |

| SIZE | |
|---------------------------------------------------------------------------------------|---------------------------------------------------------------------------------------|
| XX Number of contacts (10, 14, 20, 24, 26, 30, 36, 40, 44, 50, 54, 56, 60, 66, or 70) | XX Number of contacts (10, 14, 20, 24, 26, 30, 36, 40, 44, 50, 54, 56, 60, 66, or 70) |

| CONTACTS | |
|-------------------------------------------------------------------------------------------------------------------------------------------------------------------------------------------------------------------------------------------------------------------------------------------------------------------------------------------------------------------------------------------------------------------------------------|---------------------------------------------------------------------------------------------------------------------------------------------------|
| <ul style="list-style-type: none"> The use of gaskets is not recommended with crimp socket contacts. WTKA** includes full compliment of WTK2222 (Socket or Pin) crimp removable contacts packaged with connectors. See "Contacts" in Accessories section to order separately. When using crimp contacts with 20 gage barrel, barrel must be cut off prior to removing contact from connector body. | |
| TYPE CONTACTS/TERMINATIONS: PR7 Pin, right angle, dip solder, .109" x .025" dia PR9 Pin, right angle, dip solder, .140" x .025" dia PR11 Pin, right angle, dip solder, .172" x .025" dia PRW40 Pin, right angle, wire wrap [®] , .625" | TYPE CONTACTS/TERMINATIONS: S Socket, straight, crimp removable, 22 AWG SA Same as above P Pin, straight, crimp removable, 22 AWG |

| HARDWARE | |
|----------------------------------|----------------------------------|
| SY Guide set | SY Guide set |
| SY-# Guide set, polarized | SY-# Guide set, polarized |
| J Fixed jackset | J Fixed jackset |
| JT Turning jackset, .435" | JT Turning jackset, .500" |
| JTA Turning jackset, .135" | JTA Turning jackset, .200" |
| JTB Hex turning jackset, .135" | JTB Hex turning jackset, .200" |
| JTC Hex turning jackset, .435" | JTC Hex turning jackset, .500" |
| JTL Turning jackset, long, .635" | JTL Turning jackset, long, .700" |

| OPTIONS | |
|---------------------------------------------------------------------------------------------------------------------------------------------------------------|------------------------------------------------------------------------------------------------------------------------------------------|
| <ul style="list-style-type: none"> Option Codes: Add to the end of the part number. Example: WTKA10SSY-C45. Call factory for additional codes. | |
| -443 | Polarizing pin installed in contact position noted by dash number. See "Polarization" in Accessories section. Receptacle connector only. |
| -444 | Contact position noted by dash number is left open (to mate with -443). |
| -478 | Drill mating side hole diameter designated by dash number. |
| -515 | Polarizing pin installed in contact position noted by dash number. See "Polarization" in Accessories section. Receptacle connector only. |
| -548 | Bond #4-40 small pattern nut into mounting holes (for right angle plug connectors only). |
| -A53 | Socket, straight, crimp removable, 20 AWG |
| -C45 | Additional .075" material at termination face for strain relief of crimped wires (22 AWG only). See Detail A below. |
| -F68 | Combine -C45 and -515 special codes. |



DETAIL A

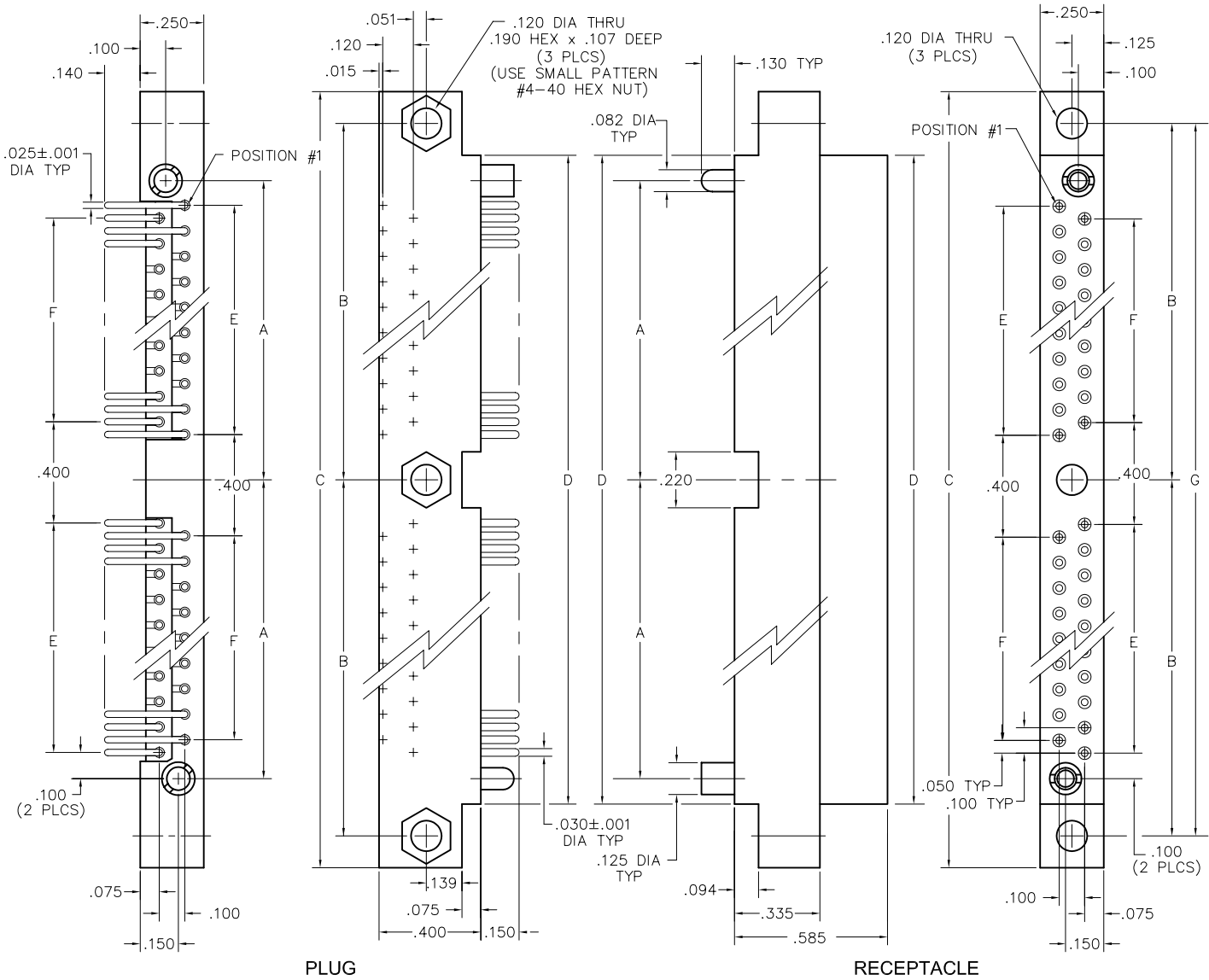
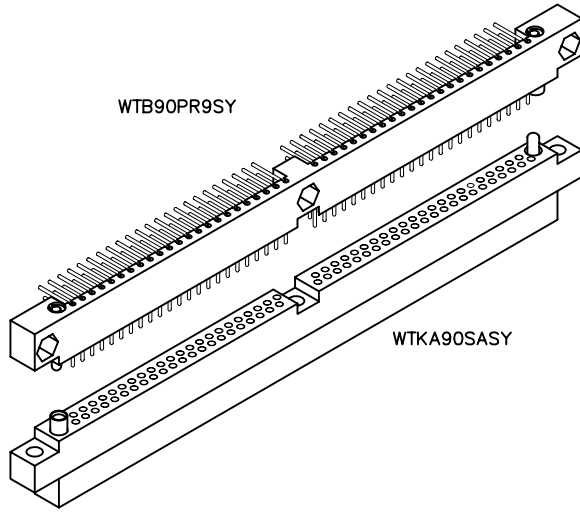


2 • ROW PC Card to Chassis

.100"

WTB - WTKA

90 & 120 Contacts



| DIMENSIONS | | | | | | | |
|------------|-------|-------|-------|-------|-------|-------|-------|
| SIZE | A | B | C | D | E | F | G |
| 90 | 2.475 | 2.700 | 5.650 | 5.150 | 2.200 | 2.100 | 5.400 |
| 120 | 3.225 | 3.450 | 7.150 | 6.650 | 2.900 | 2.900 | 6.900 |

PLUG: WTB 90 PR9 SY
 RECEPTACLE: WTKA 90 SA SY
 XXXX XX XXX XX

PLUG

RECEPTACLE

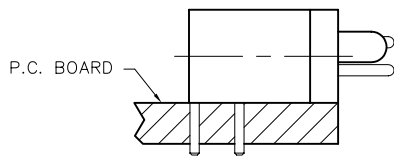
| SERIES | |
|--------------------------------------------------------------------------------------------------------------------------------------------------------------|----------------------------------------------------------------|
| WTB Plug, right angle, with mounting ears | WTKA Receptacle, straight, crimp removable, with mounting ears |
| <ul style="list-style-type: none"> WTKA and WTDXA connectors will mate with WTA, WTAV, WTB, WTBV connectors. "A" means contacts are included. | |

| SIZE | |
|-----------------------------------|-----------------------------------|
| XX Number of contacts (90 or 120) | XX Number of contacts (90 or 120) |

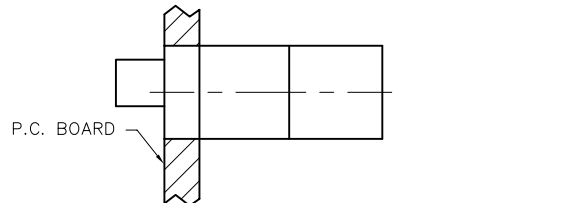
| CONTACTS | |
|-------------------------------------------------------------------------------------------------------------------------------------------------------------------------------------------------------------------------------------------------------------------------------------------------------------------------------------------------------------------------------------------------------------------------------------|---------------------------------------------------------------------------------------------------------------------------------------------------------------|
| <ul style="list-style-type: none"> The use of gaskets is not recommended with crimp socket contacts. WTKA** includes full compliment of WTK2222 (Socket or Pin) crimp removable contacts packaged with connectors. See "Contacts" in Accessories section to order separately. When using crimp contacts with 20 gage barrel, barrel must be cut off prior to removing contact from connector body. | |
| <p>TYPE CONTACTS/TERMINATIONS:</p> <p>PR7 Pin, right angle, dip solder, .109" x .025" dia</p> <p>PR9 Pin, right angle, dip solder, .140" x .025" dia</p> <p>PR11 Pin, right angle, dip solder, .172" x .025" dia</p> <p>PRW40 Pin, right angle, wire wrap®, .625"</p> | <p>TYPE CONTACTS/TERMINATIONS:</p> <p>S Socket, straight, crimp removable, 22 AWG</p> <p>SA Same as above</p> <p>P Pin, straight, crimp removable, 22 AWG</p> |

| HARDWARE | |
|----------------------------------|----------------------------------|
| SY Guide set | SY Guide set |
| SY-# Guide set, polarized | SY-# Guide set, polarized |
| J Fixed jackset | J Fixed jackset |
| JT Turning jackset, .435" | JT Turning jackset, .500" |
| JTA Turning jackset, .135" | JTA Turning jackset, .200" |
| JTB Hex turning jackset, .135" | JTB Hex turning jackset, .200" |
| JTC Hex turning jackset, .435" | JTC Hex turning jackset, .500" |
| JTL Turning jackset, long, .635" | JTL Turning jackset, long, .700" |

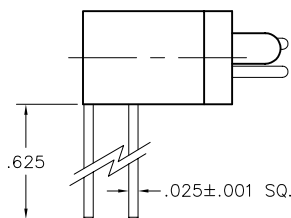
- | OPTIONS | |
|---------------------------------------------------------------------------------------------------------------------------------------------------------------|------------------------------------------------------------------------------------------------------------------------------------------|
| <ul style="list-style-type: none"> Option Codes: Add to the end of the part number. Example: WTKA10SSY-C45. Call factory for additional codes. | |
| -443 | Polarizing pin installed in contact position noted by dash number. See "Polarization" in Accessories section. Receptacle connector only. |
| -444 | Contact position noted by dash number is left open (to mate with -443). Right angle only. |
| -478 | Drill mating side hole diameter designated by dash number (crimp only). |
| -515 | Polarizing pin installed in contact position noted by dash number. See "Polarization" in Accessories section. Receptacle connector only. |
| -548 | Bond #4-40 small pattern nut into mounting holes (for right angle plug connectors only). |
| -A53 | Socket, straight, crimp removable, 20 AWG |
| -C45 | Additional .075" material at termination face for strain relief of crimped wires (22 AWG only). See Detail A below. |
| -F68 | Combine -C45 and -515 special codes. |



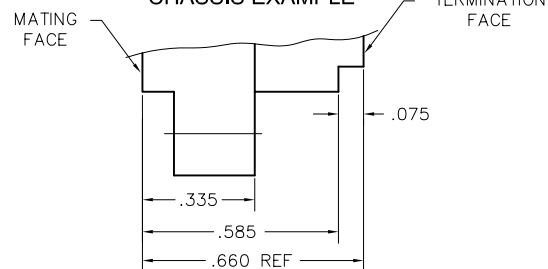
WTB90PR9SY
P.C. BOARD EXAMPLE



WTKA90SASY
CHASSIS EXAMPLE



WTB90PRW40SY
WIRE WRAP EXAMPLE



DETAIL A



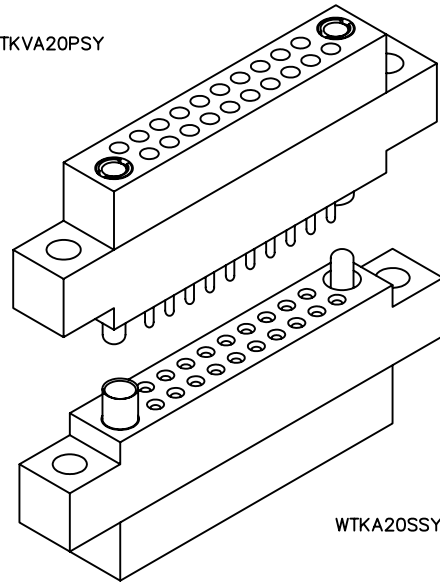
2 • ROW Chassis to Chassis

.100"

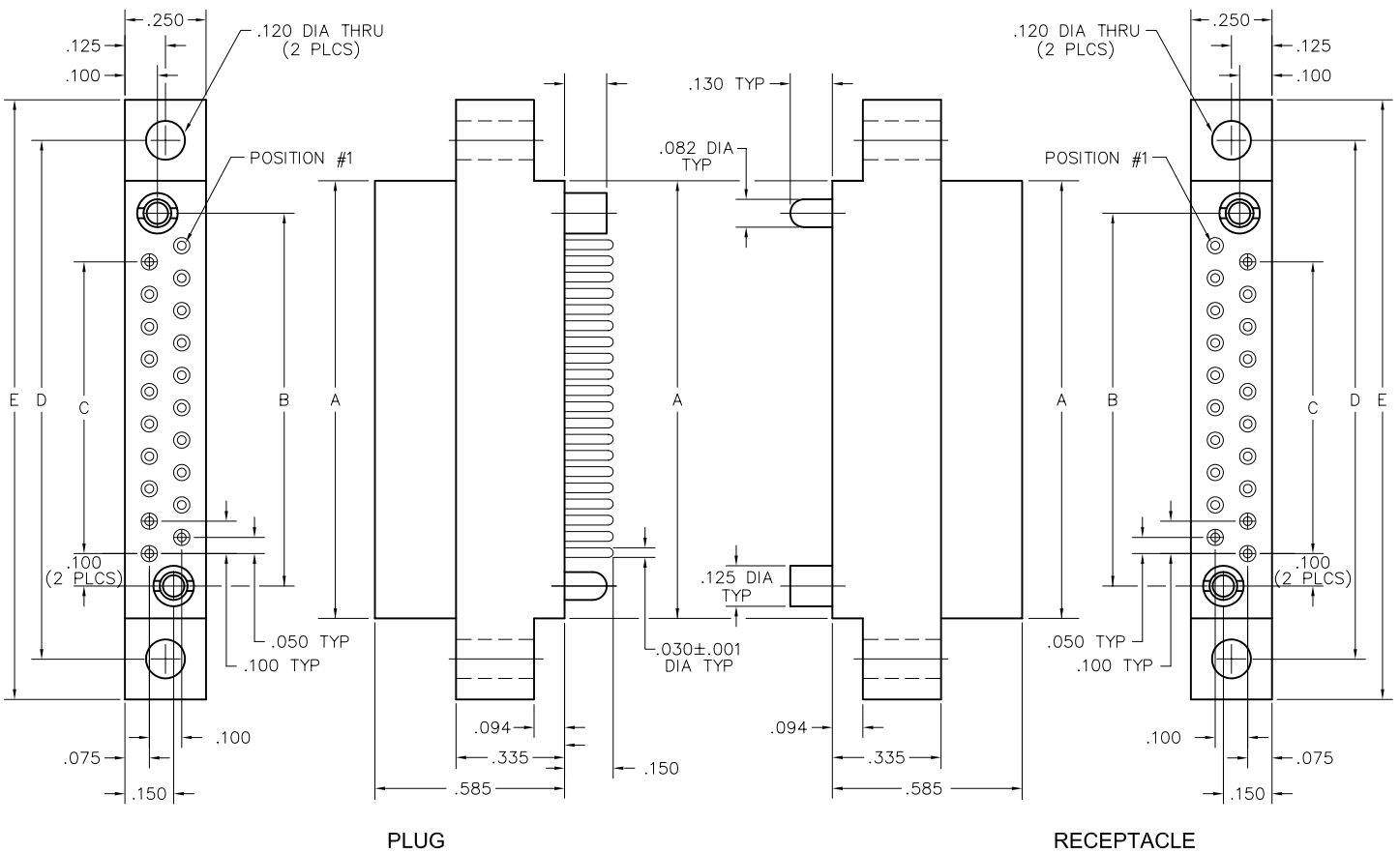
WTKVA - WTKA

10 thru 70 Contacts

WTKVA20PSY



WTKA20SSY



| DIMENSIONS | | | | | | | | | | | |
|------------|-------|-------|-------|-------|-------|------|-------|-------|-------|-------|-------|
| SIZE | A | B | C | D | E | SIZE | A | B | C | D | E |
| 10 | .850 | .650 | .400 | 1.100 | 1.350 | 44 | 2.550 | 2.350 | 2.100 | 2.800 | 3.050 |
| 14 | 1.050 | .850 | .600 | 1.300 | 1.550 | 50 | 2.850 | 2.650 | 2.400 | 3.100 | 3.350 |
| 20 | 1.350 | 1.150 | .900 | 1.600 | 1.850 | 54 | 3.050 | 2.850 | 2.600 | 3.300 | 3.550 |
| 24 | 1.550 | 1.350 | 1.100 | 1.800 | 2.050 | 56 | 3.150 | 2.950 | 2.700 | 3.400 | 3.650 |
| 26 | 1.650 | 1.450 | 1.200 | 1.900 | 2.150 | 60 | 3.350 | 3.150 | 2.900 | 3.600 | 3.850 |
| 30 | 1.850 | 1.650 | 1.400 | 2.100 | 2.350 | 66 | 3.650 | 3.450 | 3.200 | 3.900 | 4.150 |
| 36 | 2.150 | 1.950 | 1.700 | 2.400 | 2.650 | 70 | 3.850 | 3.650 | 3.400 | 4.100 | 4.350 |
| 40 | 2.350 | 2.150 | 1.900 | 2.600 | 2.850 | | | | | | |

PLUG: WTKVA20 P SY
 RECEPTACLE: WTKA 20 S SY
 XXXX XX XXXX XX

PLUG

RECEPTACLE

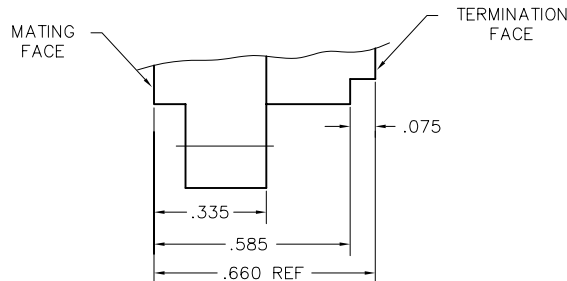
| SERIES | |
|--------------------------------------------------------------------------------------------------------------------------------------------------------------|----------------------------------------------------------------|
| WTKVA Plug, straight, crimp removable, with mounting ears | WTKA Receptacle, straight, crimp removable, with mounting ears |
| <ul style="list-style-type: none"> WTKVA and WTKA connectors will mate with WTA, WTAV, WTB, WTBV connectors. "A" means contacts are included. | |

| SIZE | |
|---------------------------------------------------------------------------------------|---------------------------------------------------------------------------------------|
| XX Number of contacts (10, 14, 20, 24, 26, 30, 36, 40, 44, 50, 54, 56, 60, 66, or 70) | XX Number of contacts (10, 14, 20, 24, 26, 30, 36, 40, 44, 50, 54, 56, 60, 66, or 70) |

| CONTACTS | |
|------------------------------------------------------------------------------------------------------------------------------------------------------------------------------------------------------------------------------------------------------------------------------------------------------------------------------------------------------------------------------------------------------------------------------------------|--------------------------------------------------------------------------------------------------------------------------------------------|
| <ul style="list-style-type: none"> The use of gaskets is not recommended with crimp connectors. WTKVA** and WTKA includes full compliment of WTK2222 (Socket or Pin) crimp removable contacts packaged with connectors. See "Contacts" in Accessories section to order separately. When using crimp contacts with 20 gage barrel, barrel must be cut off prior to removing contact from connector body. | |
| TYPE CONTACTS/TERMINATIONS: P Pin, straight, crimp removable, 22 AWG S Socket, straight, crimp removable, 22 AWG SA Same as above | TYPE CONTACTS/TERMINATIONS: S Socket, straight, crimp removable, 22 AWG SA Same as above P Pin, straight, crimp removable, 22 AWG |

| HARDWARE | |
|----------------------------------|----------------------------------|
| SY Guide set | SY Guide set |
| SY-# Guide set, polarized | SY-# Guide set, polarized |
| J Fixed jackset | J Fixed jackset |
| JT Turning jackset, .435" | JT Turning jackset, .500" |
| JTA Turning jackset, .135" | JTA Turning jackset, .200" |
| JTB Hex turning jackset, .135" | JTB Hex turning jackset, .200" |
| JTC Hex turning jackset, .435" | JTC Hex turning jackset, .500" |
| JTL Turning jackset, long, .635" | JTL Turning jackset, long, .700" |

| OPTIONS | |
|---------------------------------------------------------------------------------------------------------------------------------------------------------------|---------------------------------------------------------------------------------------------------------------------|
| <ul style="list-style-type: none"> Option Codes: Add to the end of the part number. Example: WTKA10SSY-C45. Call factory for additional codes. | |
| -443 | Polarizing pin installed in contact position noted by dash number. See "Polarization" in Accessories section. |
| -444 | Contact position noted by dash number is left open (to mate with -443). |
| -478 | Drill mating side hole diameter designated by dash number. |
| -515 | Polarizing pin installed in contact position noted by dash number. See "Polarization" in Accessories section. |
| -A53 | 20 AWG, straight, crimp removable contact, pin or socket. |
| -C45 | Additional .075" material at termination face for strain relief of crimped wires (22 AWG only). See Detail A below. |
| -F68 | Combine -C45 and -515 special codes. |



DETAIL A



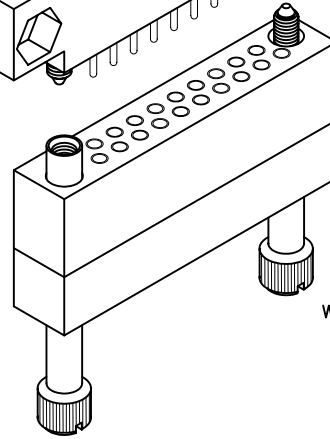
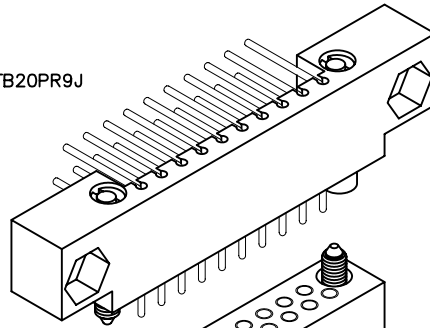
2 • ROW PC Card to Board

.100"

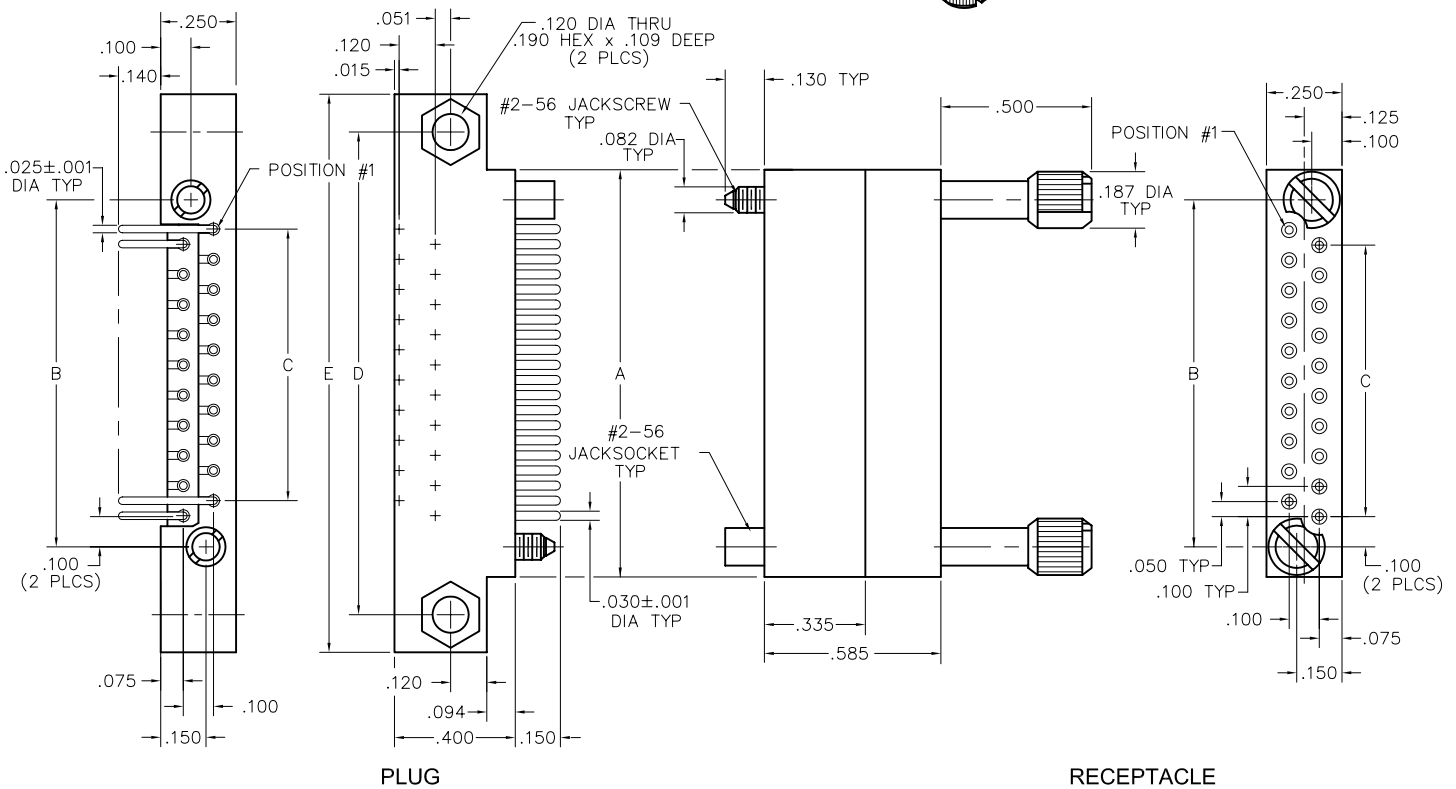
WTB - WTDXA

10 thru 70 Contacts

WTB20PR9J



WTDXA20SJT



PLUG

RECEPTACLE

| DIMENSIONS | | | | | | | | | | | |
|------------|-------|-------|-------|-------|-------|------|-------|-------|-------|-------|-------|
| SIZE | A | B | C | D | E | SIZE | A | B | C | D | E |
| 10 | .850 | .650 | .400 | 1.100 | 1.350 | 44 | 2.550 | 2.350 | 2.100 | 2.800 | 3.050 |
| 14 | 1.050 | .850 | .600 | 1.300 | 1.550 | 50 | 2.850 | 2.650 | 2.400 | 3.100 | 3.350 |
| 20 | 1.350 | 1.150 | .900 | 1.600 | 1.850 | 54 | 3.050 | 2.850 | 2.600 | 3.300 | 3.550 |
| 24 | 1.550 | 1.350 | 1.100 | 1.800 | 2.050 | 56 | 3.150 | 2.950 | 2.700 | 3.400 | 3.650 |
| 26 | 1.650 | 1.450 | 1.200 | 1.900 | 2.150 | 60 | 3.350 | 3.150 | 2.900 | 3.600 | 3.850 |
| 30 | 1.850 | 1.650 | 1.400 | 2.100 | 2.350 | 66 | 3.650 | 3.450 | 3.200 | 3.900 | 4.150 |
| 36 | 2.150 | 1.950 | 1.700 | 2.400 | 2.650 | 70 | 3.850 | 3.650 | 3.400 | 4.100 | 4.350 |
| 40 | 2.350 | 2.150 | 1.900 | 2.600 | 2.850 | | | | | | |

PLUG: WTB 20 PR9 J
 RECEPTACLE: WTDXA 20 S JT
 XXXXX XX XXX XX

PLUG

RECEPTACLE

SERIES

| | |
|-------------------------------------------------------------------------------------------------------------------------------------------------------------|--------------------------------------------------------------------|
| WTB Plug, right angle, with mounting ears • WTKA and WTDXA connectors will mate with WTA, WTA V, WTB, WTB V connectors. "A" means contacts are included. | WTDXA Receptacle, straight, crimp removable, without mounting ears |
|-------------------------------------------------------------------------------------------------------------------------------------------------------------|--------------------------------------------------------------------|

SIZE

| | |
|---------------------------------------------------------------------------------------|---------------------------------------------------------------------------------------|
| XX Number of contacts (10, 14, 20, 24, 26, 30, 36, 40, 44, 50, 54, 56, 60, 66, or 70) | XX Number of contacts (10, 14, 20, 24, 26, 30, 36, 40, 44, 50, 54, 56, 60, 66, or 70) |
|---------------------------------------------------------------------------------------|---------------------------------------------------------------------------------------|

CONTACTS

- The use of gaskets is not recommended with crimp socket contacts.
- WTKA** includes full compliment of WTK2222 (Socket or Pin) crimp removable contacts packaged with connectors. See "Contacts" in Accessories section to order separately.
- When using crimp contacts with 20 gage barrel, barrel must be cut off prior to removing contact from connector body.

TYPE CONTACTS/TERMINATIONS:

PR7 Pin, right angle, dip solder, .109" x .025" dia
 PR9 Pin, right angle, dip solder, .140" x .025" dia
 PR11 Pin, right angle, dip solder, .172" x .025" dia
 PRW40 Pin, right angle, wire wrap®, .625"

TYPE CONTACTS/TERMINATIONS:

S Socket, straight, crimp removable, 22 AWG
 SA Same as above
 P Pin, straight, crimp removable, 22 AWG

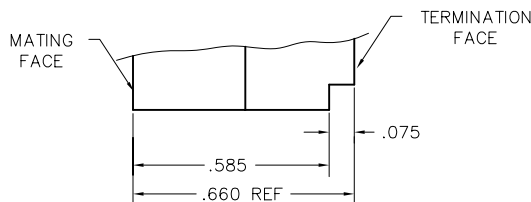
HARDWARE

SY Guide set
 SY-# Guide set, polarized
 J Fixed jackset
 JT Turning jackset, .435"
 JTA Turning jackset, .135"
 JTB Hex turning jackset, .135"
 JTC Hex turning jackset, .435"
 JTL Turning jackset, long, .635"

SY Guide set
 SY-# Guide set, polarized
 J Fixed jackset
 JT Turning jackset, .500"
 JTA Turning jackset, .200"
 JTB Hex turning jackset, .200"
 JTC Hex turning jackset, .500"
 JTL Turning jackset, long, .700"

OPTIONS

- Option Codes: Add to the end of the part number. Example: WTKA10SSY-C45. Call factory for additional codes.
- 443 Polarizing pin installed in contact position noted by dash number. See "Polarization" in Accessories section. Receptacle connector only.
- 444 Contact position noted by dash number is left open (to mate with -443). Right angle only.
- 478 Drill mating side hole diameter designated by dash number.
- 515 Polarizing pin installed in contact position noted by dash number. See "Polarization" in Accessories section. Receptacle connector only.
- 548 Bond #4-40 small pattern nut into mounting holes (for right angle plug connectors only).
- A53 Socket, straight, crimp removable, 20 AWG
- C45 Additional .075" material at termination face for strain relief of crimped wires (22 AWG only). See Detail A below.
- F68 Combine -C45 and -515 special codes.



DETAIL A

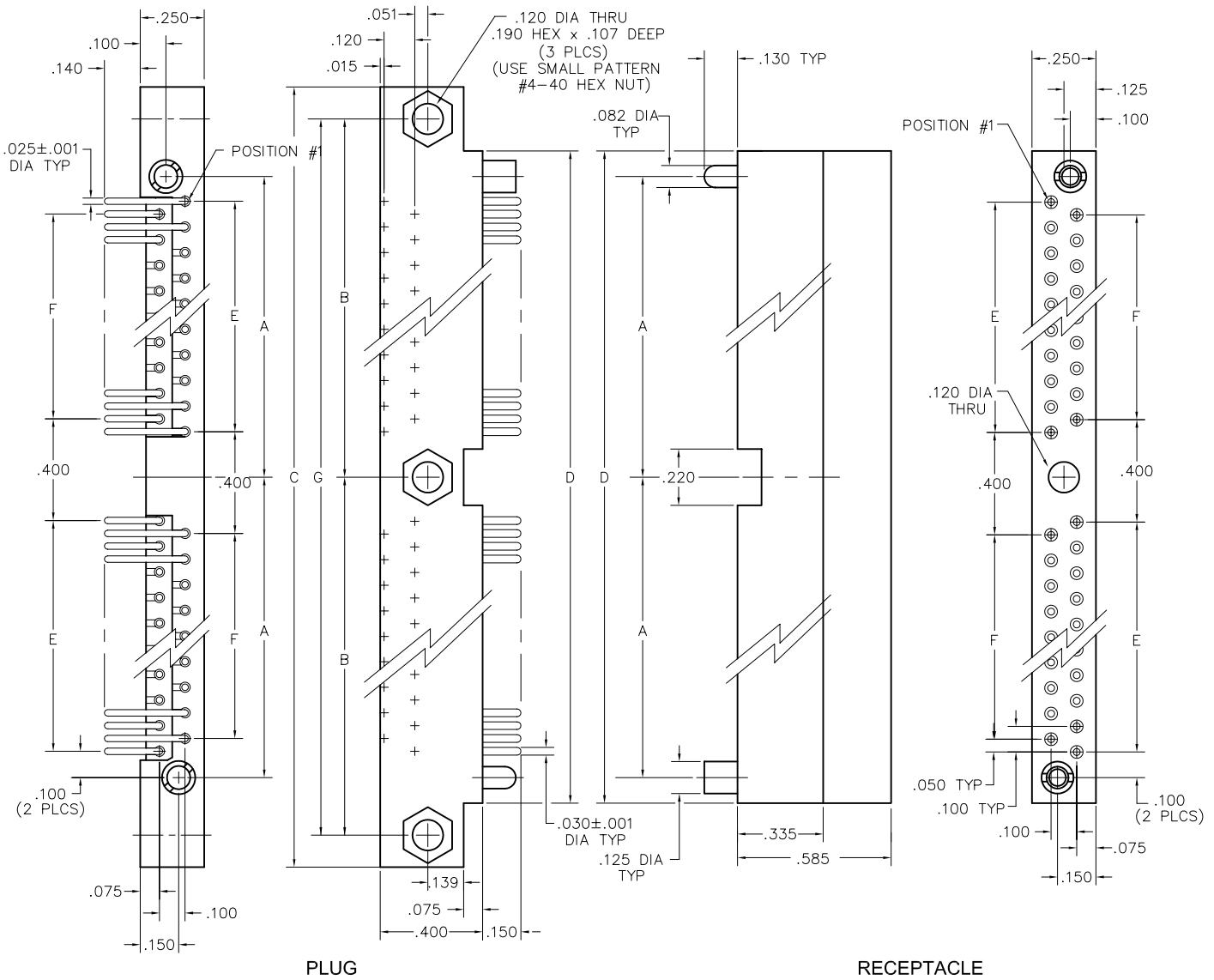
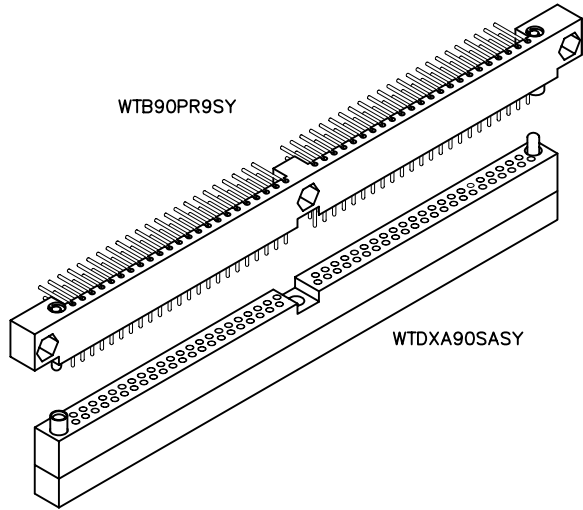


2 • ROW PC Card to Board

.100"

WTB - WTDXA

90 & 120 Contacts



| DIMENSIONS | | | | | | | |
|------------|-------|-------|-------|-------|-------|-------|-------|
| SIZE | A | B | C | D | E | F | G |
| 90 | 2.475 | 2.700 | 5.560 | 5.150 | 2.200 | 2.100 | 5.400 |
| 120 | 3.225 | 3.450 | 7.150 | 6.650 | 2.900 | 2.900 | 6.900 |

PLUG: WTB 90 PR9 SY
 RECEPTACLE: WTDXA 90 SA SY
 XXXXX XX XXX XX

PLUG

RECEPTACLE

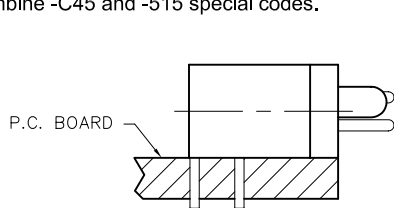
| SERIES | |
|----------------------------------------------------------------------------------------------------------------------------------------------------------------|--------------------------------------------------------------------|
| WTB Plug, right angle, with mounting ears | WTDXA Receptacle, straight, crimp removable, without mounting ears |
| <ul style="list-style-type: none"> • WTKA and WTDXA connectors will mate with WTA, WTAV, WTB, WTBV connectors. "A" means contacts are included. | |

| SIZE | |
|-----------------------------------|-----------------------------------|
| XX Number of contacts (90 or 120) | XX Number of contacts (90 or 120) |

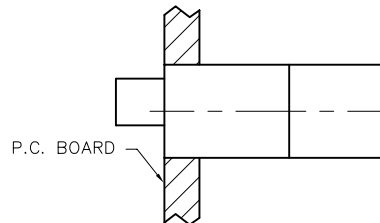
| CONTACTS | |
|-------------------------------------------------------------------------------------------------------------------------------------------------------------------------------------------------------------------------------------------------------------------------------------------------------------------------------------------------------------------------------------------------------------------------------------------|----------------------------------------------------------------------------------------------------------------------------------------------------------------------------------|
| <ul style="list-style-type: none"> • The use of gaskets is not recommended with crimp socket contacts. • WTKA** includes full compliment of WTK2222 (Socket or Pin) crimp removable contacts packaged with connectors. See "Contacts" in Accessories section to order separately. • When using crimp contacts with 20 gage barrel, barrel must be cut off prior to removing contact from connector body. | |
| <p>TYPE CONTACTS/TERMINATIONS:</p> <p>PR7 Pin, right angle, dip solder, .109" x .025" dia PR9 Pin, right angle, dip solder, .140" x .025" dia PR11 Pin, right angle, dip solder, .172" x .025" dia PRW40 Pin, right angle, wire wrap®, .625"</p> | <p>TYPE CONTACTS/TERMINATIONS:</p> <p>S Socket, straight, crimp removable, 22 AWG SA Same as above P Pin, straight, crimp removable, 22 AWG</p> |

| HARDWARE | |
|----------------------------------|----------------------------------|
| SY Guide set | SY Guide set |
| SY-# Guide set, polarized | SY-# Guide set, polarized |
| J Fixed jackset | J Fixed jackset |
| JT Turning jackset, .435" | JT Turning jackset, .500" |
| JTA Turning jackset, .135" | JTA Turning jackset, .200" |
| JTB Hex turning jackset, .135" | JTB Hex turning jackset, .200" |
| JTC Hex turning jackset, .435" | JTC Hex turning jackset, .500" |
| JTL Turning jackset, long, .635" | JTL Turning jackset, long, .700" |

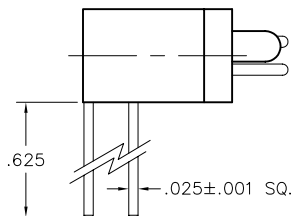
- OPTIONS**
- Option Codes: Add to the end of the part number. Example: WTDXA90SSY-C45. Call factory for additional codes.
 - 443 Polarizing pin installed in contact position noted by dash number. See "Polarization" in Accessories section. Receptacle connector only.
 - 444 Contact position noted by dash number is left open (to mate with -443). Right angle only.
 - 478 Drill mating side hole diameter designated by dash number (crimp only).
 - 515 Polarizing pin installed in contact position noted by dash number. See "Polarization" in Accessories section. Receptacle connector only.
 - 548 Bond #4-40 small pattern nut into mounting holes (for right angle plug connectors only).
 - A53 Socket, straight, crimp removable, 20 AWG
 - C45 Additional .075" material at termination face for strain relief of crimped wires (22 AWG only). See Detail A below.
 - F68 Combine -C45 and -515 special codes.



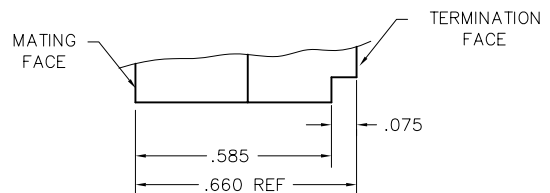
WTB90PR9SY
 P.C. BOARD EXAMPLE



WTDXA90SASY
 CHASSIS EXAMPLE



WTB90PRW40SY
 WIRE WRAP EXAMPLE



DETAIL A



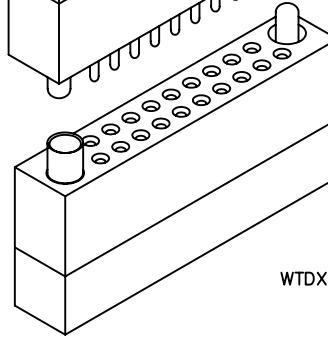
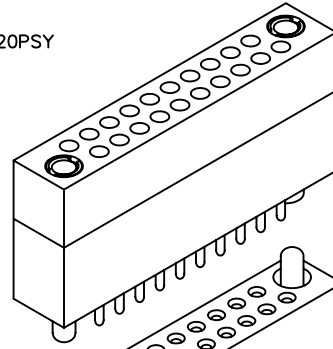
2 • ROW Chassis to Chassis

.100"

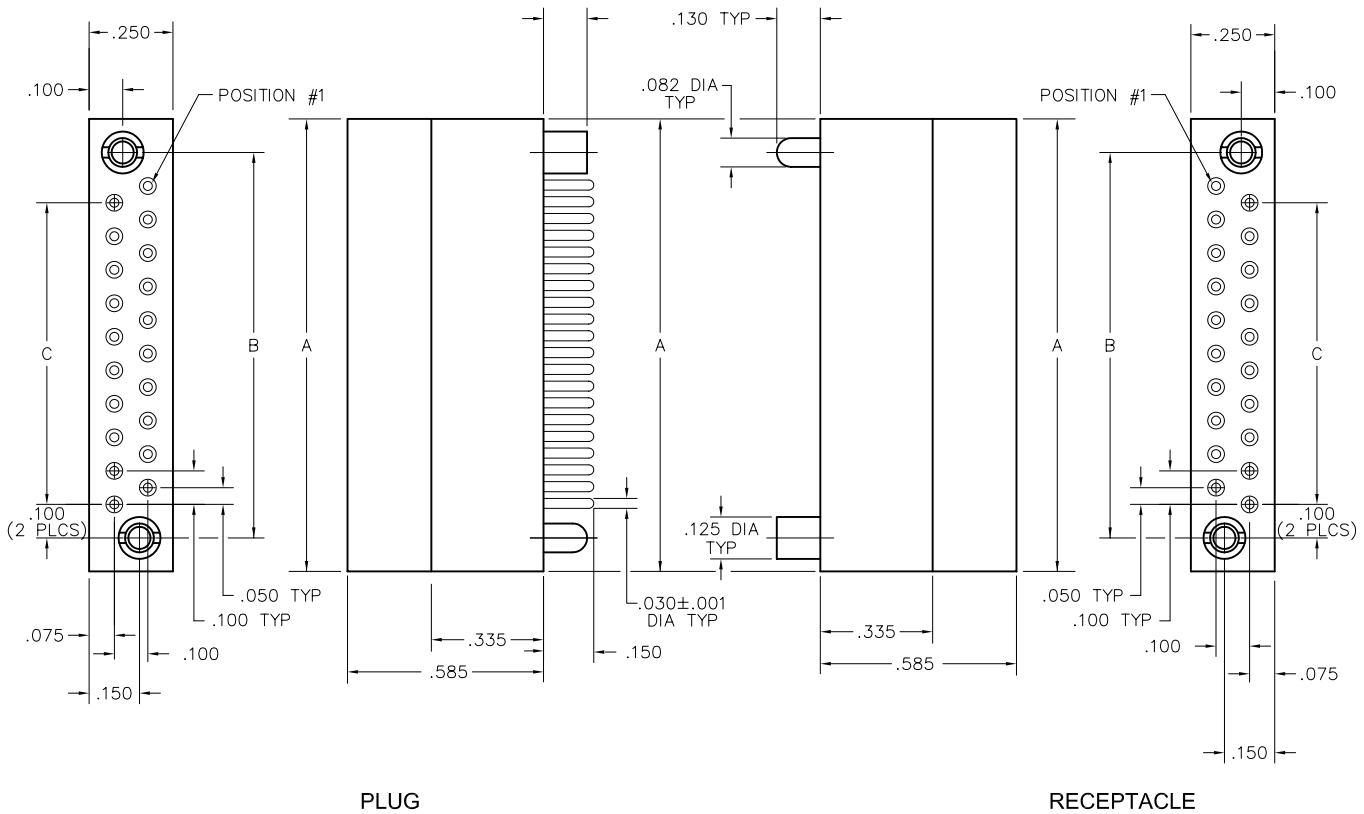
WTDVA - WTDXA

10 thru 70 Contacts

WTDVA20PSY



WTDXA20SSY



| DIMENSIONS | | | | | | | |
|------------|-------|-------|-------|------|-------|-------|-------|
| SIZE | A | B | C | SIZE | A | B | C |
| 10 | .850 | .650 | .400 | 44 | 2.550 | 2.350 | 2.100 |
| 14 | 1.050 | .850 | .600 | 50 | 2.850 | 2.650 | 2.400 |
| 20 | 1.350 | 1.150 | .900 | 54 | 3.050 | 2.850 | 2.600 |
| 24 | 1.550 | 1.350 | 1.100 | 56 | 3.150 | 2.950 | 2.700 |
| 26 | 1.650 | 1.450 | 1.200 | 60 | 3.350 | 3.150 | 2.900 |
| 30 | 1.850 | 1.650 | 1.400 | 66 | 3.650 | 3.450 | 3.200 |
| 36 | 2.150 | 1.950 | 1.700 | 70 | 3.850 | 3.650 | 3.400 |
| 40 | 2.350 | 2.150 | 1.900 | | | | |

PLUG: WTDVA20 P SY
 RECEPTACLE: WTDXA20 S SY
 XXXX XX XXXX XX

PLUG

RECEPTACLE

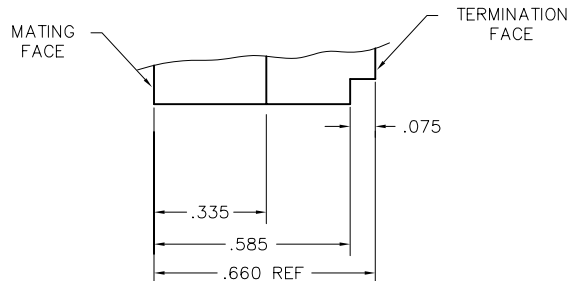
| SERIES | |
|---------------------------------------------------------------------------------------------------------------------------------------------------------------|--------------------------------------------------------------------|
| WTDVA Plug, straight, crimp removable, without mounting ears | WTDXA Receptacle, straight, crimp removable, without mounting ears |
| <ul style="list-style-type: none"> WTDVA and WTDXA connectors will mate with WTA, WTAV, WTB, WTBV connectors. "A" means contacts are included. | |

| SIZE | |
|---------------------------------------------------------------------------------------|---------------------------------------------------------------------------------------|
| XX Number of contacts (10, 14, 20, 24, 26, 30, 36, 40, 44, 50, 54, 56, 60, 66, or 70) | XX Number of contacts (10, 14, 20, 24, 26, 30, 36, 40, 44, 50, 54, 56, 60, 66, or 70) |

| CONTACTS | |
|-------------------------------------------------------------------------------------------------------------------------------------------------------------------------------------------------------------------------------------------------------------------------------------------------------------------------------------------------------------------------------------------------------------------------------------------|--------------------------------------------------------------------------------------------------------------------------------------------|
| <ul style="list-style-type: none"> The use of gaskets is not recommended with crimp connectors. WTDVA** and WTDXA includes full compliment of WTK2222 (Socket or Pin) crimp removable contacts packaged with connectors. See "Contacts" in Accessories section to order separately. When using crimp contacts with 20 gage barrel, barrel must be cut off prior to removing contact from connector body. | |
| TYPE CONTACTS/TERMINATIONS: P Pin, straight, crimp removable, 22 AWG S Socket, straight, crimp removable, 22 AWG SA Same as above | TYPE CONTACTS/TERMINATIONS: S Socket, straight, crimp removable, 22 AWG SA Same as above P Pin, straight, crimp removable, 22 AWG |

| HARDWARE | |
|----------------------------------|----------------------------------|
| SY Guide set | SY Guide set |
| SY-# Guide set, polarized | SY-# Guide set, polarized |
| J Fixed jackset | J Fixed jackset |
| JT Turning jackset, .435" | JT Turning jackset, .500" |
| JTA Turning jackset, .135" | JTA Turning jackset, .200" |
| JTB Hex turning jackset, .135" | JTB Hex turning jackset, .200" |
| JTC Hex turning jackset, .435" | JTC Hex turning jackset, .500" |
| JTL Turning jackset, long, .635" | JTL Turning jackset, long, .700" |

| OPTIONS | |
|----------------------------------------------------------------------------------------------------------------------------------------------------------------|---------------------------------------------------------------------------------------------------------------------|
| <ul style="list-style-type: none"> Option Codes: Add to the end of the part number. Example: WTDXA10SSY-C45. Call factory for additional codes. | |
| -443 | Polarizing pin installed in contact position noted by dash number. See "Polarization" in Accessories section. |
| -444 | Contact position noted by dash number is left open (to mate with -443). |
| -478 | Drill mating side hole diameter designated by dash number. |
| -515 | Polarizing pin installed in contact position noted by dash number. See "Polarization" in Accessories section. |
| -A53 | 20 AWG, straight, crimp removable contact, pin or socket. |
| -C45 | Additional .075" material at termination face for strain relief of crimped wires (22 AWG only). See Detail A below. |
| -F68 | Combine -C45 and -515 special codes. |



DETAIL A

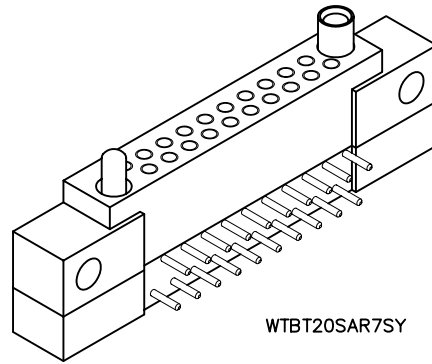


2 • ROW Extender Board Connector*

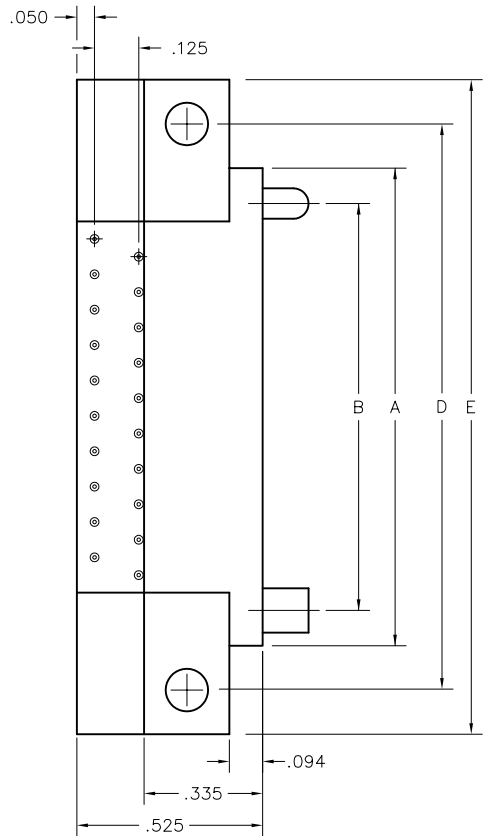
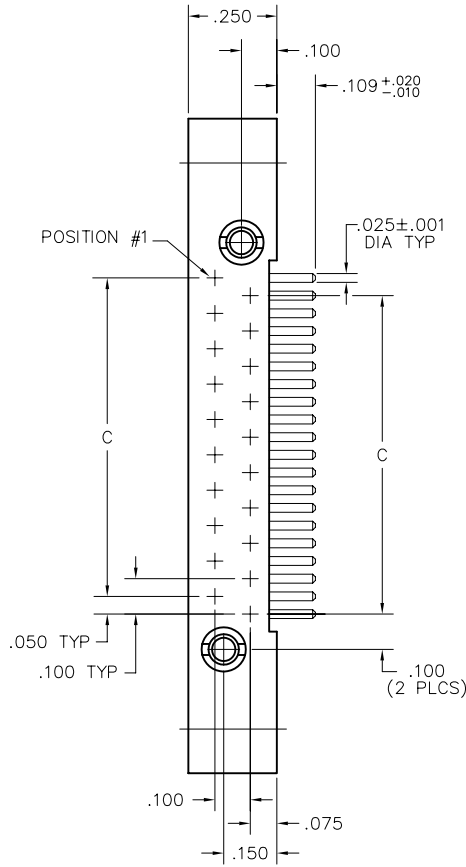
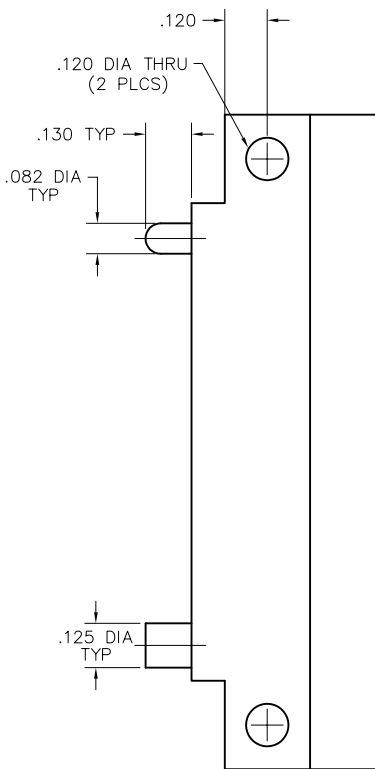
.100"

WTBT

10 thru 70 Contacts



WTBT20SAR7SY



RECEPTACLE

| DIMENSIONS | | | | | | | | | | | |
|------------|-------|-------|-------|-------|-------|------|-------|-------|-------|-------|-------|
| SIZE | A | B | C | D | E | SIZE | A | B | C | D | E |
| 10 | .850 | .650 | .400 | 1.100 | 1.350 | 44 | 2.550 | 2.350 | 2.100 | 2.800 | 3.050 |
| 14 | 1.050 | .850 | .600 | 1.300 | 1.550 | 50 | 2.850 | 2.650 | 2.400 | 3.100 | 3.350 |
| 20 | 1.350 | 1.150 | .900 | 1.600 | 1.850 | 54 | 3.050 | 2.850 | 2.600 | 3.300 | 3.550 |
| 24 | 1.550 | 1.350 | 1.100 | 1.800 | 2.050 | 56 | 3.150 | 2.950 | 2.700 | 3.400 | 3.650 |
| 26 | 1.650 | 1.450 | 1.200 | 1.900 | 2.150 | 60 | 3.350 | 3.150 | 2.900 | 3.600 | 3.850 |
| 30 | 1.850 | 1.650 | 1.400 | 2.100 | 2.350 | 66 | 3.650 | 3.450 | 3.200 | 3.900 | 4.150 |
| 36 | 2.150 | 1.950 | 1.700 | 2.400 | 2.650 | 70 | 3.850 | 3.650 | 3.400 | 4.100 | 4.350 |
| 40 | 2.350 | 2.150 | 1.900 | 2.600 | 2.850 | | | | | | |

* = FOR TEST APPLICATIONS

RECEPTACLE

SERIES
WTBT Receptacle, right angle, with mounting ears

SIZE
XX Number of contacts (10, 14, 20, 24, 26, 30, 36, 40, 44, 50, 54, 56, 60, 66, or 70)

CONTACTS

TYPE CONTACTS/TERMINATIONS:
 SARC Socket, right angle, solder cup (.035" I.D.)
 SAR7 Socket, right angle, dip solder, .109" x .025" dia
 SAR9 Socket, right angle, dip solder, .140" x .025" dia
 SAR11 Socket, right angle, dip solder, .172" x .025" dia

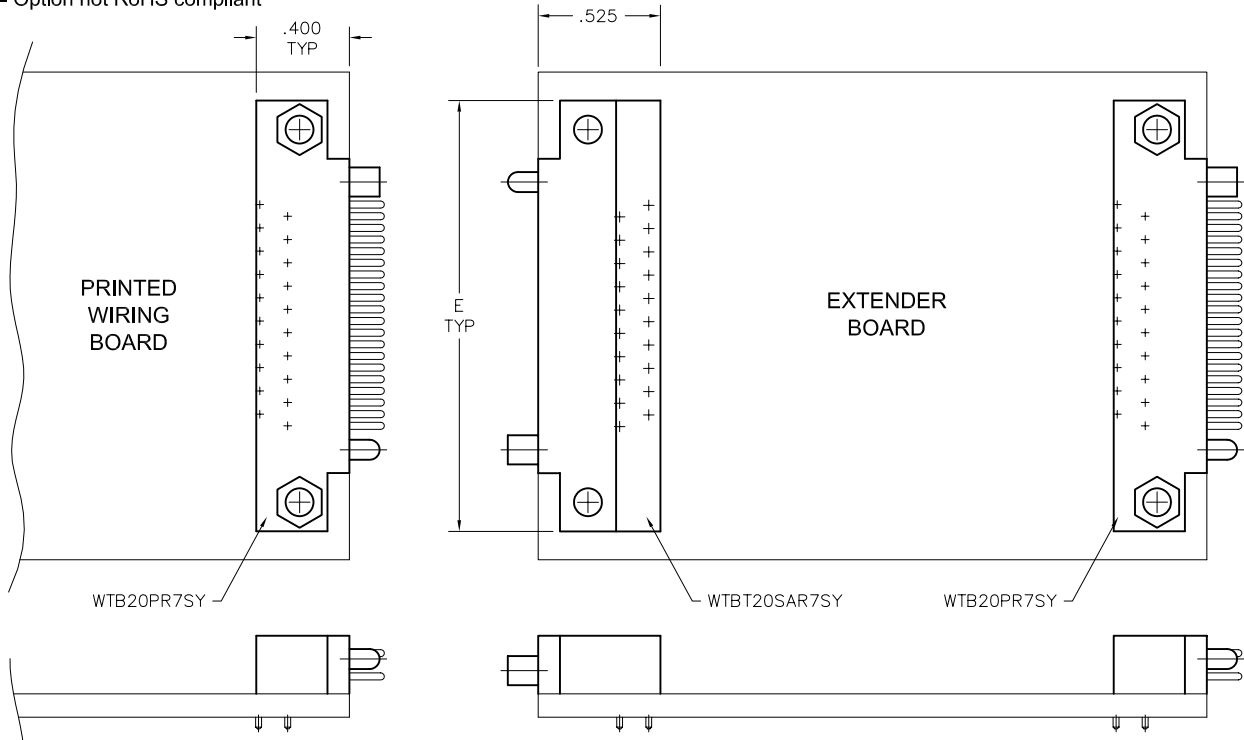
HARDWARE

SY Guide set
 J Fixed jackset
 JT Turning jackset, .475"
 JTA Turning jackset, .175"
 JTB Hex turning jackset, .175"
 JTC Hex turning jackset, .475"
 JTL Turning jackset, long, .675"

- WTBT connectors with "J" hardware will mate with: WTA*****JT
 WTA*****JTA
- WTBT connectors with "SY" hardware will mate with: WTB*****SY
 WTAV*****SY
- For polarized "D" shaped guides, add dash and code number to the part number (example: -7).
 See "Polarization" in Accessories section for codes.

OPTIONS

- Option Codes: Add to the end of the part number. Example: WTBT10SAR9J-D01. Call factory for additional codes.
 - 342 Remove mounting ears (.250" each end)
 - D01 Pretinned contact terminations (except solder cups, wire wraps[®] and flex contacts) with 63/37 or 60/40 solder.
 - P39 Pretinned contact terminations (except solder cups, wire wraps[®] and flex contacts) with SAC305 solder (lead free).
- = Option not RoHS compliant



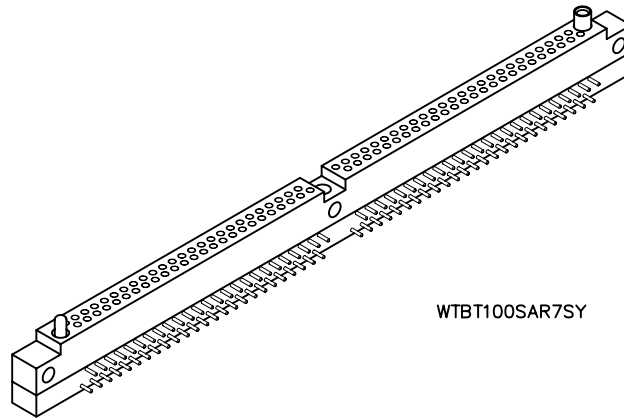


2 · ROW Extender Board Connector*

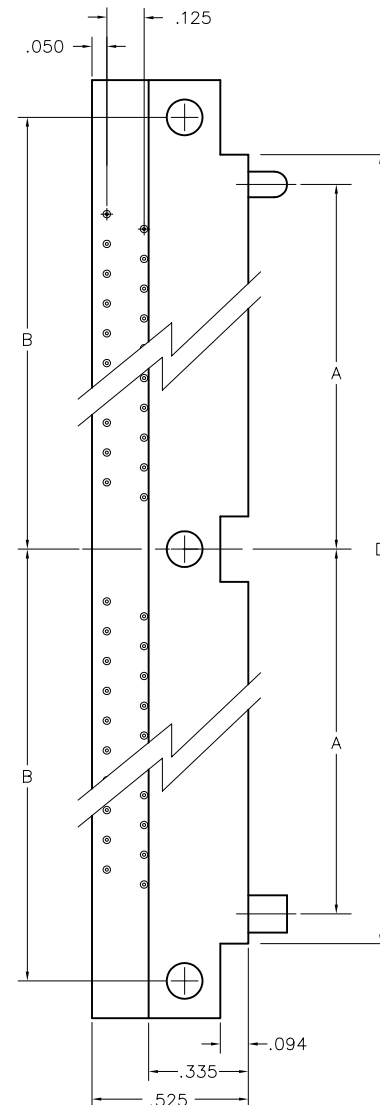
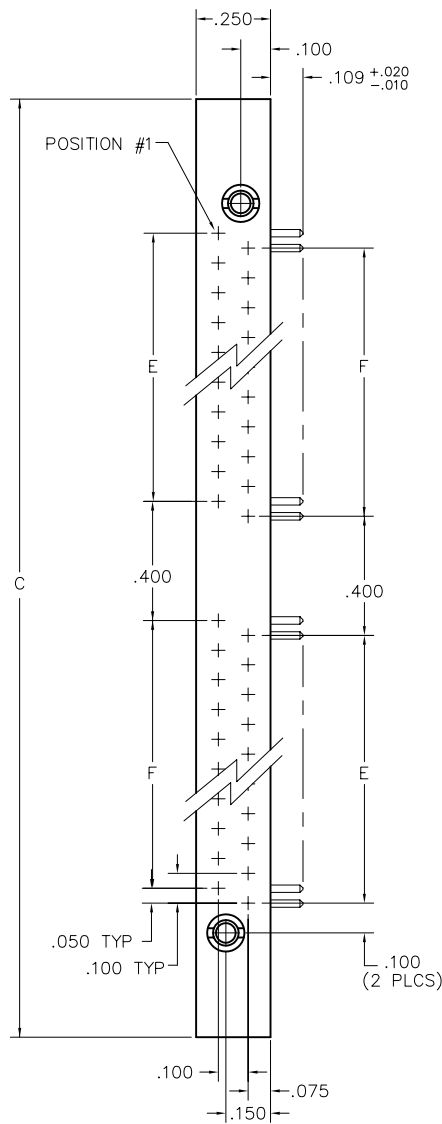
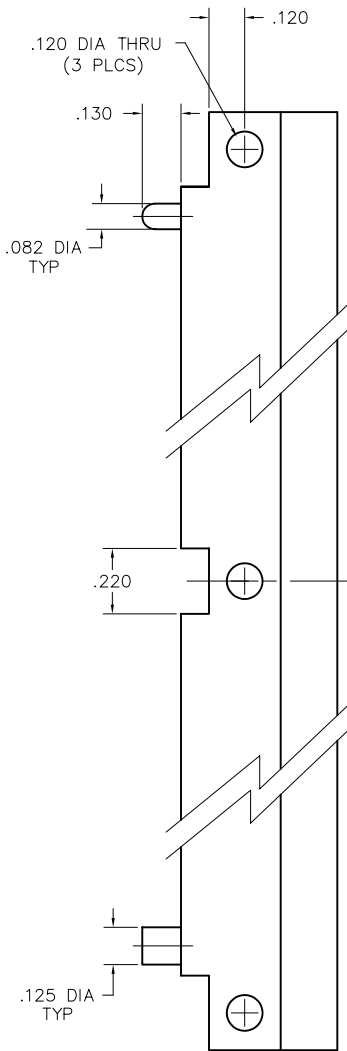
.100"

WTBT

100 Contacts



WTBT100SAR7SY



RECEPTACLE

| DIMENSIONS | | | | | | |
|------------|-------|-------|-------|-------|-------|-------|
| SIZE | A | B | C | D | E | F |
| 100 | 2.725 | 2.950 | 6.150 | 5.650 | 2.400 | 2.400 |

* = FOR TEST APPLICATIONS

RECEPTACLE: WTBT 100 SAR7 SY
 XXXX XXX XXXX XX

RECEPTACLE

SERIES

WTBT Receptacle, right angle, with mounting ears
 • WTBT connectors will mate with WTA, WTAV, WTB, WTBV.

SIZE

XXX Number of contacts (100)

CONTACTS

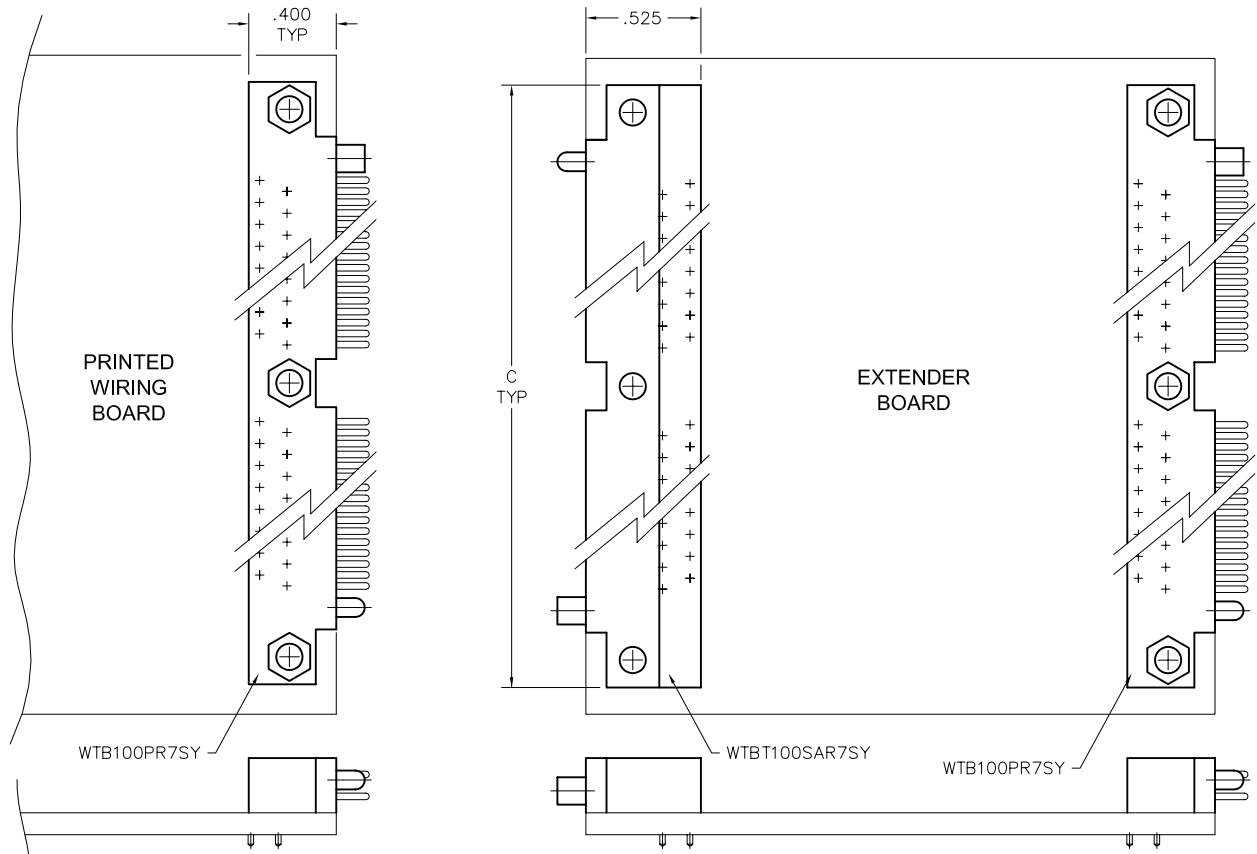
TYPE CONTACTS/TERMINATIONS:
 SAR7 Socket, right angle, dip solder, .109" x .025" dia
 SAR9 Socket, right angle, dip solder, .140" x .025" dia
 SAR11 Socket, right angle, dip solder, .172" x .025" dia
 SARC Socket, right angle, solder cup (.035" I.D.)

HARDWARE

SY Guide set
 SY-# Guide set, polarized
 J Fixed jackset
 JT Turning jackset, .475"
 JTA Turning jackset, .175"
 JTB Hex turning jackset, .175"
 JTC Hex turning jackset, .475"
 JTL Long turning jackset, .675"

OPTIONS

- Option Codes: Add to the end of the part number. Example: WTBT100SAR7SY342. Call factory for additional codes.
 - 342 Remove mounting ears (.250" each end)
 - D01 Pretinned contact terminations (except solder cups, wire wraps[®] and flex contacts) with 63/37 or 60/40 solder. ☒
 - P39 Pretinned contact terminations (except solder cups, wire wraps[®] and flex contacts) with SAC305 solder (lead free).
- ☒ = Option not RoHS compliant



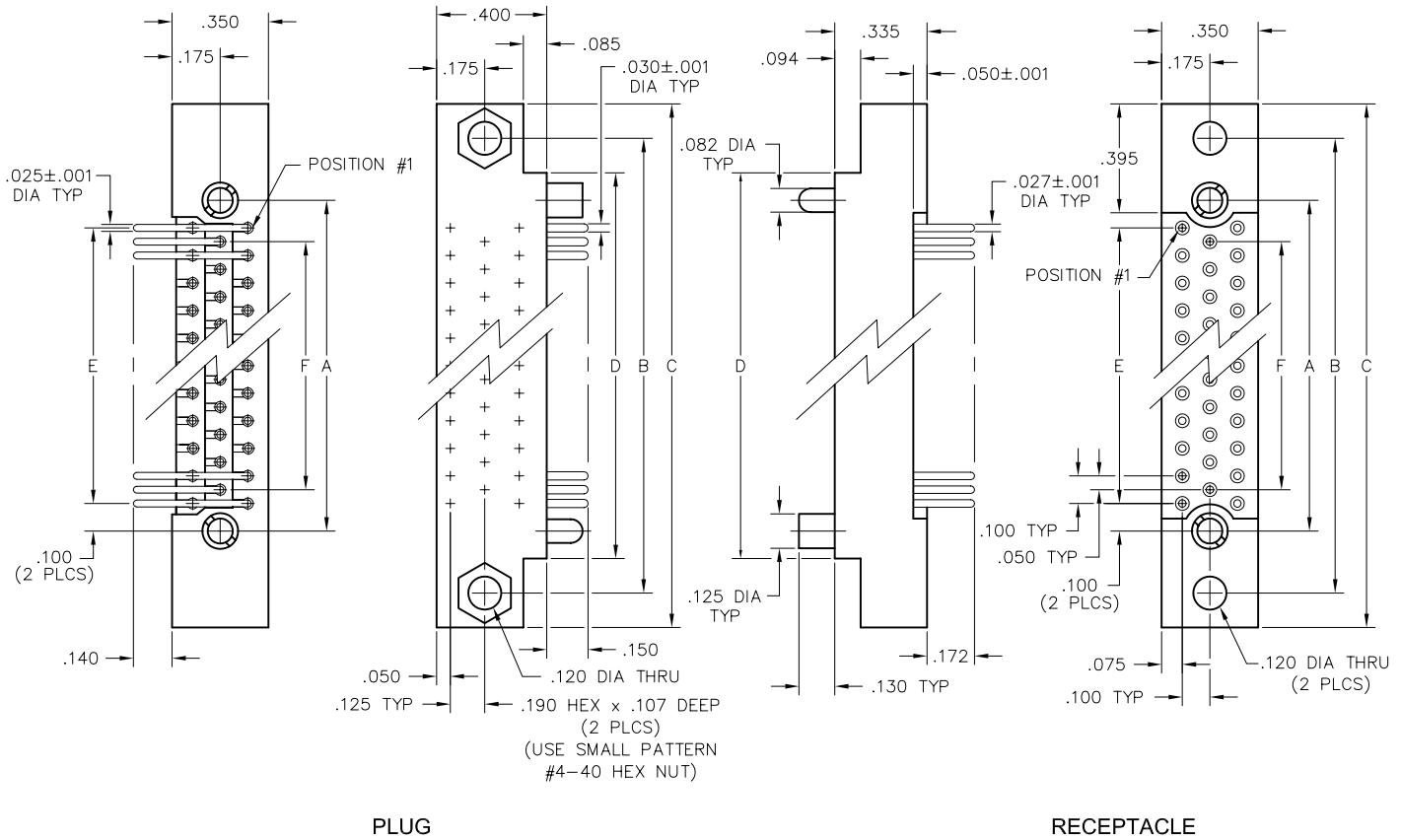
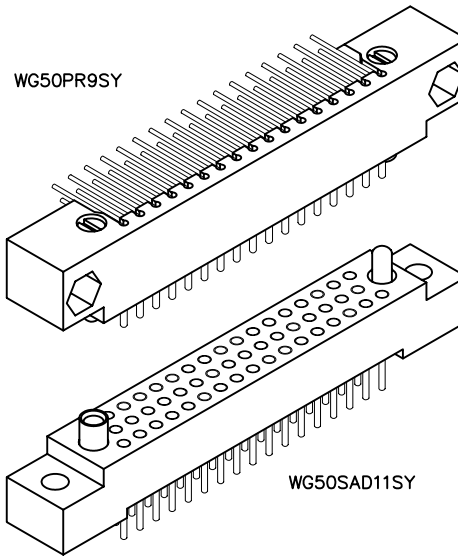


3 • ROW PC Card to Board or Chassis

.100"

WG - WG

50 thru 104 Contacts



| DIMENSIONS | | | | | | |
|------------|-------|-------|-------|-------|-------|-------|
| SIZE | A | B | C | D | E | F |
| 50 | 1.800 | 2.250 | 2.500 | 2.000 | 1.600 | 1.500 |
| 62 | 2.200 | 2.650 | 2.900 | 2.400 | 2.000 | 1.900 |
| 80 | 2.800 | 3.250 | 3.500 | 3.000 | 2.600 | 2.500 |
| 92 | 3.200 | 3.650 | 3.900 | 3.400 | 3.000 | 2.900 |
| 104 | 3.600 | 4.050 | 4.300 | 3.800 | 3.400 | 3.300 |

PLUG: WG 50 PR9 SY
 RECEPTACLE: WG 50 SAD11 SY
 XX XX XXXXX XX

PLUG

RECEPTACLE

SERIES

| | |
|------------------------------------------|------------------------------------------------|
| WG Plug, right angle, with mounting ears | WG Receptacle, straight, with mounting ears |
| | WG Receptacle, right angle, with mounting ears |

SIZE

| | |
|------------------------------------------------|------------------------------------------------|
| XX Number of contacts (50, 62, 80, 92, or 104) | XX Number of contacts (50, 62, 80, 92, or 104) |
|------------------------------------------------|------------------------------------------------|

CONTACTS

- The contact type determines image of connector. Pin, right angle contacts are always plug image. Straight pin contacts or socket contacts are receptacle image.

TYPE CONTACTS/TERMINATIONS:

| | |
|-------|--------------------------------------------------|
| PR7 | Pin, right angle, dip solder, .109" x .025" dia |
| PR9 | Pin, right angle, dip solder, .140" x .025" dia |
| PR11 | Pin, right angle, dip solder, .172" x .025" dia |
| PR15 | Pin, right angle, dip solder, .234" x .025" dia |
| PRW34 | Pin, right angle, wire wrap [®] , .531" |
| PRW42 | Pin, right angle, wire wrap [®] , .656" |

TYPE CONTACTS/TERMINATIONS:

| | |
|-------|----------------------------------------------------------|
| SAC | Socket, straight, solder cup (.035" I.D.) |
| SAD7 | Socket, straight, dip solder, .109" x .027" dia |
| SAD9 | Socket, straight, dip solder, .140" x .027" dia |
| SAD11 | Socket, straight, dip solder, .172" x .027" dia |
| SAF3 | Socket, straight, flex circuit, .050" |
| SAF6 | Socket, straight, flex circuit, .093" |
| SAF9 | Socket, straight, flex circuit, .140" |
| SAG7 | Socket, straight, dip solder, .109" x .018" dia |
| SAG9 | Socket, straight, dip solder, .140" x .018" dia |
| SAG11 | Socket, straight, dip solder, .172" x .018" dia |
| SAP | Socket, straight, pin termination .150", connector saver |
| SAW24 | Socket, straight, wire wrap [®] , .375" |
| SAW40 | Socket, straight, wire wrap [®] , .625" |
| SOR7 | Socket, right angle, dip solder, .109" x .025" dia |
| SOR9 | Socket, right angle, dip solder, .140" x .025" dia |
| SOR11 | Socket, right angle, dip solder, .172" x .025" dia |

HARDWARE

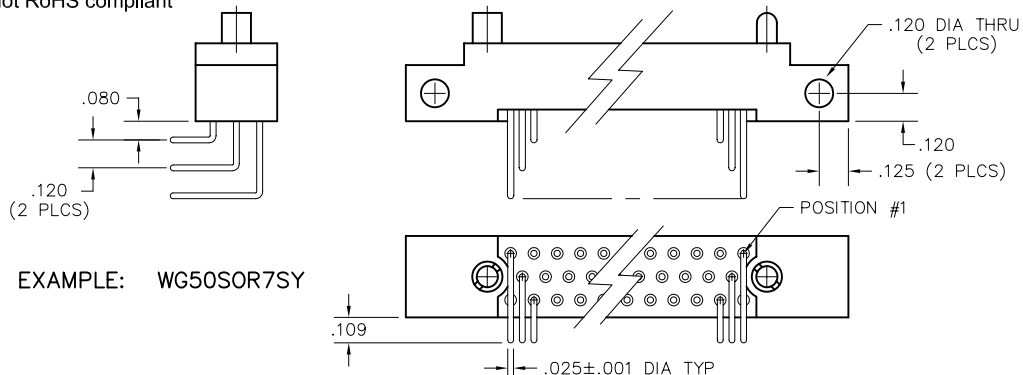
- Plug facial seal gaskets and hoods; order separately or add "Q" in part number. Example: WG50PR9QJ. See "Gaskets" and "Hoods" in Accessories section for instructions.

| | |
|----------------------------------|---------------------------|
| SY Guide set | SY Guide set |
| SY-# Guide set, polarized | SY-# Guide set, polarized |
| SYL Guide set, long | SYL Guide set, long |
| JT Turning jackset, .435" | J Fixed jackset |
| JTA Turning jackset, .135" | JL Fixed jackset, long |
| JTB Hex turning jackset, .135" | |
| JTC Hex turning jackset, .435" | |
| JTL Turning jackset, long, .635" | |

OPTIONS

- Option Codes: Add to the end of the part number. Example: WG80PR9SY342. Call factory for additional codes.
- 342 Remove mounting ears. (.250" each end)
- 548 Bond #4-40 small pattern nut into mounting holes (for right angle plug connectors only).
- B82 Termination face sealed against conformal coating
- D01 Pretinned contact terminations (except solder cups, wire wraps[®] and flex contacts) with 63/37 or 60/40 solder.
- P39 Pretinned contact terminations (except solder cups, wire wraps[®] and flex contacts) with SAC305 solder (lead free).
- D54 Combine -B82 & -D01 options
- G69 Solder cups fixed in an outward orientation (otherwise contacts will rotate)

= Option not RoHS compliant



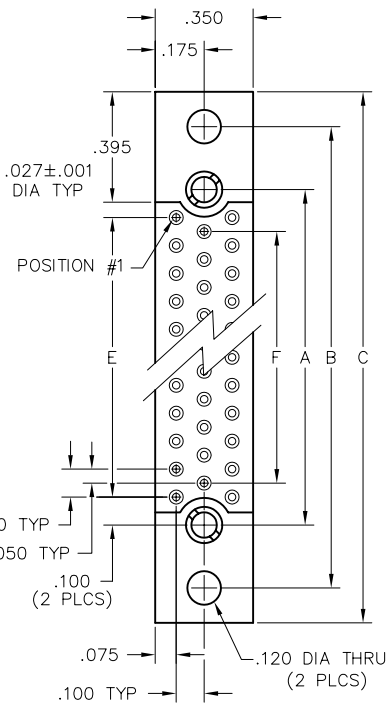
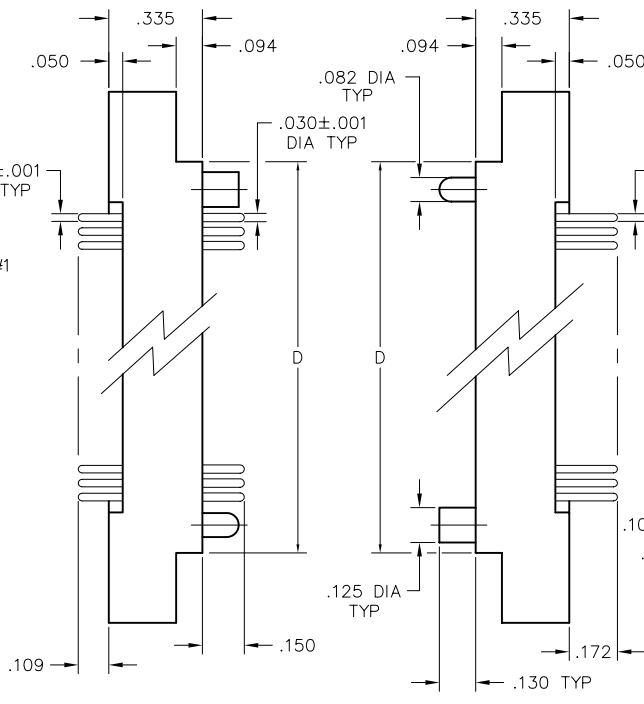
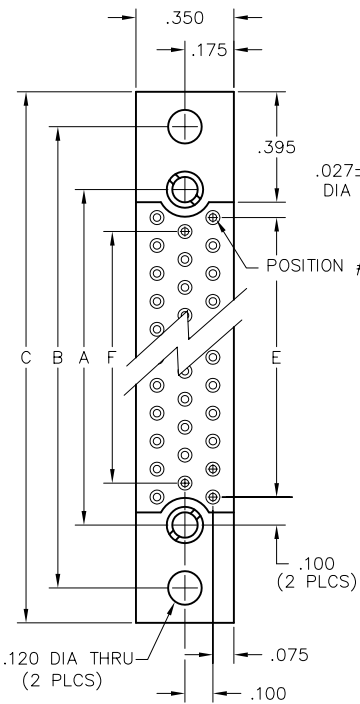
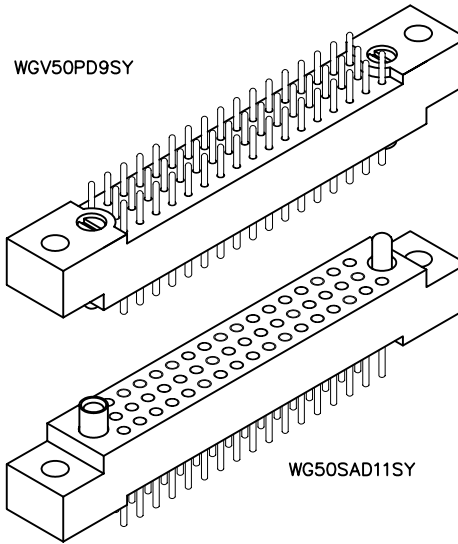


3 • ROW Sandwich Boards

.100"

WGV - WG

50 thru 104 Contacts



PLUG

RECEPTACLE

| DIMENSIONS | | | | | | |
|------------|-------|-------|-------|-------|-------|-------|
| SIZE | A | B | C | D | E | F |
| 50 | 1.800 | 2.250 | 2.500 | 2.000 | 1.600 | 1.500 |
| 62 | 2.200 | 2.650 | 2.900 | 2.400 | 2.000 | 1.900 |
| 80 | 2.800 | 3.250 | 3.500 | 3.000 | 2.600 | 2.500 |
| 92 | 3.200 | 3.650 | 3.900 | 3.400 | 3.000 | 2.900 |
| 104 | 3.600 | 4.050 | 4.300 | 3.800 | 3.400 | 3.300 |

PLUG: WGV 50 PD9 SY
 RECEPTACLE: WG 50 SAD11 SY
 XXX XX XXXXX XX

PLUG

RECEPTACLE

SERIES

| | |
|------------------------------|------------------------------------------------|
| WGV Plug, with mounting ears | WG Receptacle, straight, with mounting ears |
| | WG Receptacle, right angle, with mounting ears |

SIZE

| | |
|------------------------------------------------|------------------------------------------------|
| XX Number of contacts (50, 62, 80, 92, or 104) | XX Number of contacts (50, 62, 80, 92, or 104) |
|------------------------------------------------|------------------------------------------------|

CONTACTS

- Pin or socket contacts can be used in either plug or receptacle.
- When pin contacts are used, standard hardware orientation places the female hardware next to the #1 pin contact.
- When socket contacts are used, standard hardware orientation places the male hardware next to the #1 socket contact.

TYPE CONTACTS/TERMINATIONS:

| | |
|------|-----------------------------------------------|
| PC | Pin, straight, solder cup (.035" I.D.) |
| PD7 | Pin, straight, dip solder, .109" x .027" dia |
| PD9 | Pin, straight, dip solder, .140" x .027" dia |
| PD11 | Pin, straight, dip solder, .172" x .027" dia |
| PD13 | Pin, straight, dip solder, .203" x .027" dia |
| PF3 | Pin, straight, flex circuit, .050" |
| PF6 | Pin, straight, flex circuit, .093" |
| PF8 | Pin, straight, flex circuit, .125" |
| PW34 | Pin, straight, wire wrap [®] , .531" |
| PW40 | Pin, straight, wire wrap [®] , .625" |

TYPE CONTACTS/TERMINATIONS:

| | |
|-------|----------------------------------------------------------|
| SAC | Socket, straight, solder cup (.035" I.D.) |
| SAD7 | Socket, straight, dip solder, .109" x .027" dia |
| SAD9 | Socket, straight, dip solder, .140" x .027" dia |
| SAD11 | Socket, straight, dip solder, .172" x .027" dia |
| SAF3 | Socket, straight, flex circuit, .050" |
| SAF6 | Socket, straight, flex circuit, .093" |
| SAF9 | Socket, straight, flex circuit, .140" |
| SAG7 | Socket, straight, dip solder, .109" x .018" dia |
| SAG9 | Socket, straight, dip solder, .140" x .018" dia |
| SAG11 | Socket, straight, dip solder, .172" x .018" dia |
| SAP | Socket, straight, pin termination .150", connector saver |
| SAW24 | Socket, straight, wire wrap [®] , .375" |
| SAW40 | Socket, straight, wire wrap [®] , .625" |
| SOR7 | Socket, right angle, dip solder, .109" x .025" dia |
| SOR9 | Socket, right angle, dip solder, .140" x .025" dia |
| SOR11 | Socket, right angle, dip solder, .172" x .025" dia |

HARDWARE

- Plug facial seal gaskets and hoods; order separately or add "Q" in part number. Example: WGV50PD9QJ. See "Gaskets" and "Hoods" in Accessories section for instructions.

| | |
|----------------------------------|----------------------------------|
| SY Guide set | SY Guide set |
| SY-# Guide set, polarized | SY-# Guide set, polarized |
| SYL Guide set, long | SYL Guide set, long |
| J Fixed jackset | J Fixed jackset |
| JL Fixed jackset, long | JL Fixed jackset, long |
| JT Turning jackset, .500" | JT Turning jackset, .500" |
| JTA Turning jackset, .200" | JTA Turning jackset, .200" |
| JTB Hex turning jackset, .200" | JTB Hex turning jackset, .200" |
| JTC Turning jackset, .500" | JTC Turning jackset, .500" |
| JTL Turning jackset, long, .700" | JTL Turning jackset, long, .700" |

OPTIONS

- Option Codes: Add to the end of the part number. Example: WG80PR9SY342. Call factory for additional codes.
 - 342 Remove mounting ears. (.250" each end)
 - D01 Pretinned contact terminations (except solder cups, wire wraps[®] and flex contacts) with 63/37 or 60/40 solder.
 - P39 Pretinned contact terminations (except solder cups, wire wraps[®] and flex contacts) with SAC305 solder (lead free).
 - G69 Solder cups fixed in an outward orientation (otherwise contacts will rotate)
- = Option not RoHS compliant

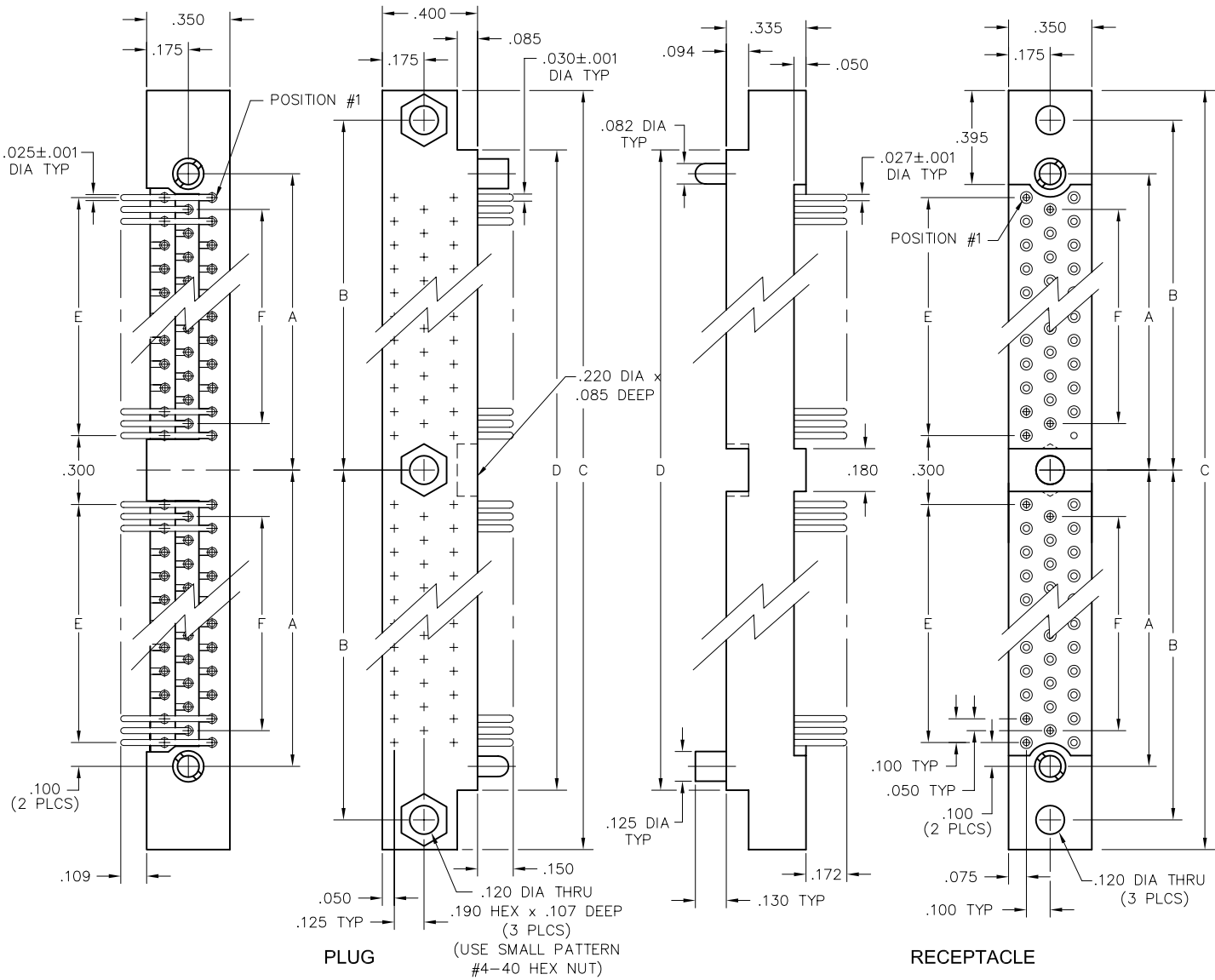
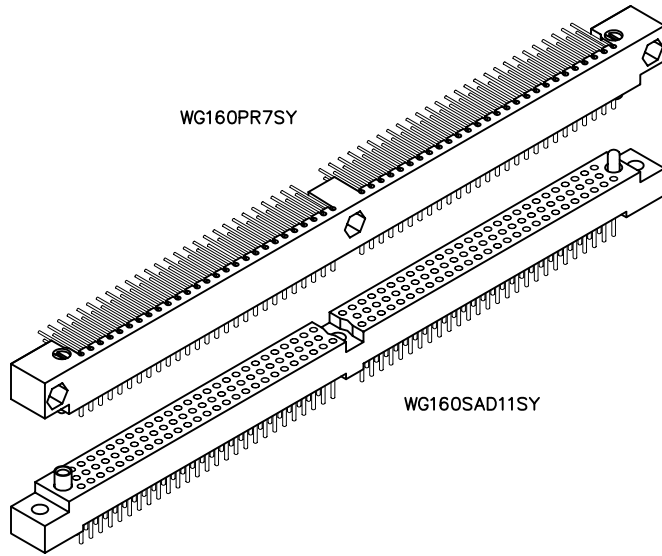


3 • ROW PC Card to Board or PC Card

.100"

WG - WG

160 & 208 Contacts



| DIMENSIONS | | | | | | |
|------------|-------|-------|-------|-------|-------|-------|
| SIZE | A | B | C | D | E | F |
| 160 | 2.850 | 3.075 | 6.400 | 5.900 | 2.600 | 2.500 |
| 208 | 3.650 | 3.875 | 8.000 | 7.500 | 3.400 | 3.300 |

PLUG: WG 160 PR7 SY
 RECEPTACLE: WG 160 SAD11 SY
 XX XXX XXXXX XX

| PLUG | | RECEPTACLE | |
|----------|---------------------------------------|------------|---------------------------------------------|
| SERIES | | | |
| WG | Plug, right angle, with mounting ears | WG | Receptacle, straight, with mounting ears |
| | | WG | Receptacle, right angle, with mounting ears |
| SIZE | | | |
| XX | Number of contacts (160 or 208) | XX | Number of contacts (160 or 208) |
| CONTACTS | | | |

• The contact type determines image of connector. Pin, right angle contacts are always plug image. Straight pin contacts or socket contacts are receptacle image.

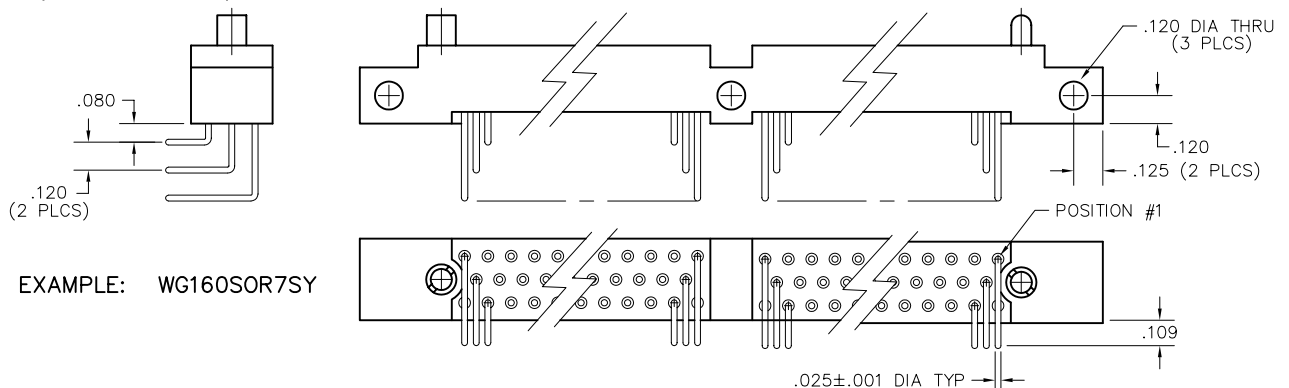
TYPE CONTACTS/TERMINATIONS:
 PR7 Pin, right angle, dip solder, .109" x .025" dia
 PR9 Pin, right angle, dip solder, .140" x .025" dia
 PR11 Pin, right angle, dip solder, .172" x .025" dia

TYPE CONTACTS/TERMINATIONS:
 SAC Socket, straight, solder cup (.035" I.D.)
 SAD7 Socket, straight, dip solder, .109" x .027" dia
 SAD9 Socket, straight, dip solder, .140" x .027" dia
 SAD11 Socket, straight, dip solder, .172" x .027" dia
 SAF3 Socket, straight, flex circuit, .050"
 SAF6 Socket, straight, flex circuit, .093"
 SAF9 Socket, straight, flex circuit, .140"
 SAG7 Socket, straight, dip solder, .109" x .018" dia
 SAG9 Socket, straight, dip solder, .140" x .018" dia
 SAG11 Socket, straight, dip solder, .172" x .018" dia
 SAP Socket, straight, pin termination .150", connector saver
 SAW24 Socket, straight, wire wrap[®], .375"
 SAW40 Socket, straight, wire wrap[®], .625"
 SOR7 Socket, right angle, dip solder, .109" x .025" dia
 SOR9 Socket, right angle, dip solder, .140" x .025" dia
 SOR11 Socket, right angle, dip solder, .172" x .025" dia

| HARDWARE | |
|---------------------------------------------------------------------------------------------------------------------------------------------------------------------------|---------------------------|
| • Plug facial seal gaskets and hoods; order separately or add "Q" in part number. Example: WG160PR9QJ. See "Gaskets" and "Hoods" in Accessories section for instructions. | |
| SY Guide set | SY Guide set |
| SY-# Guide set, polarized | SY-# Guide set, polarized |
| SYL Guide set, long | SYL Guide set, long |
| JT Turning jackset, .435" | J Fixed jackset |
| JTA Turning jackset, .135" | JL Fixed jackset, long |
| JTB Hex turning jackset, .135" | |
| JTC Hex turning jackset, .435" | |
| JTL Turning jackset, long, .635" | |

| OPTIONS | |
|---------------------------------------------------------------------------------------------------------------|----------------------------------------------------------------------------------------------------------------------------------------------------------------|
| • Option Codes: Add to the end of the part number. Example: WG160PR9SY548. Call factory for additional codes. | |
| -342 | Remove mounting ears. (.250" each end) |
| -548 | Bond #4-40 small pattern nut into mounting holes (for right angle plug connectors only). |
| -B82 | Termination face sealed against conformal coating |
| -D01 | Pretinned contact terminations (except solder cups, wire wraps [®] and flex contacts) with 63/37 or 60/40 solder. <input checked="" type="checkbox"/> |
| -P39 | Pretinned contact terminations (except solder cups, wire wraps [®] and flex contacts) with SAC305 solder (lead free). |
| -G69 | Solder cups fixed in an outward orientation (otherwise contacts will rotate) |

= Option not RoHS compliant



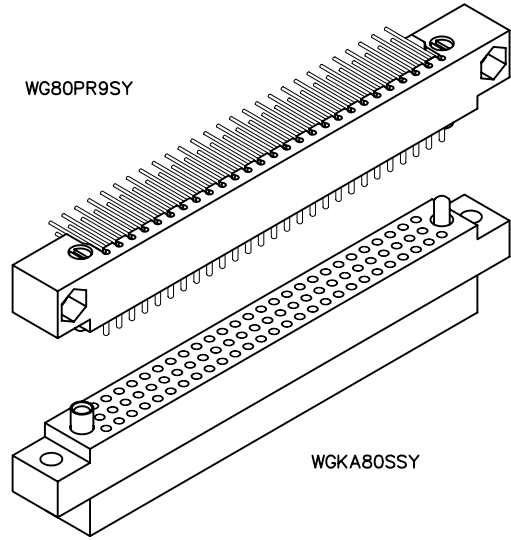
3 • ROW PC Card to Chassis

.100"

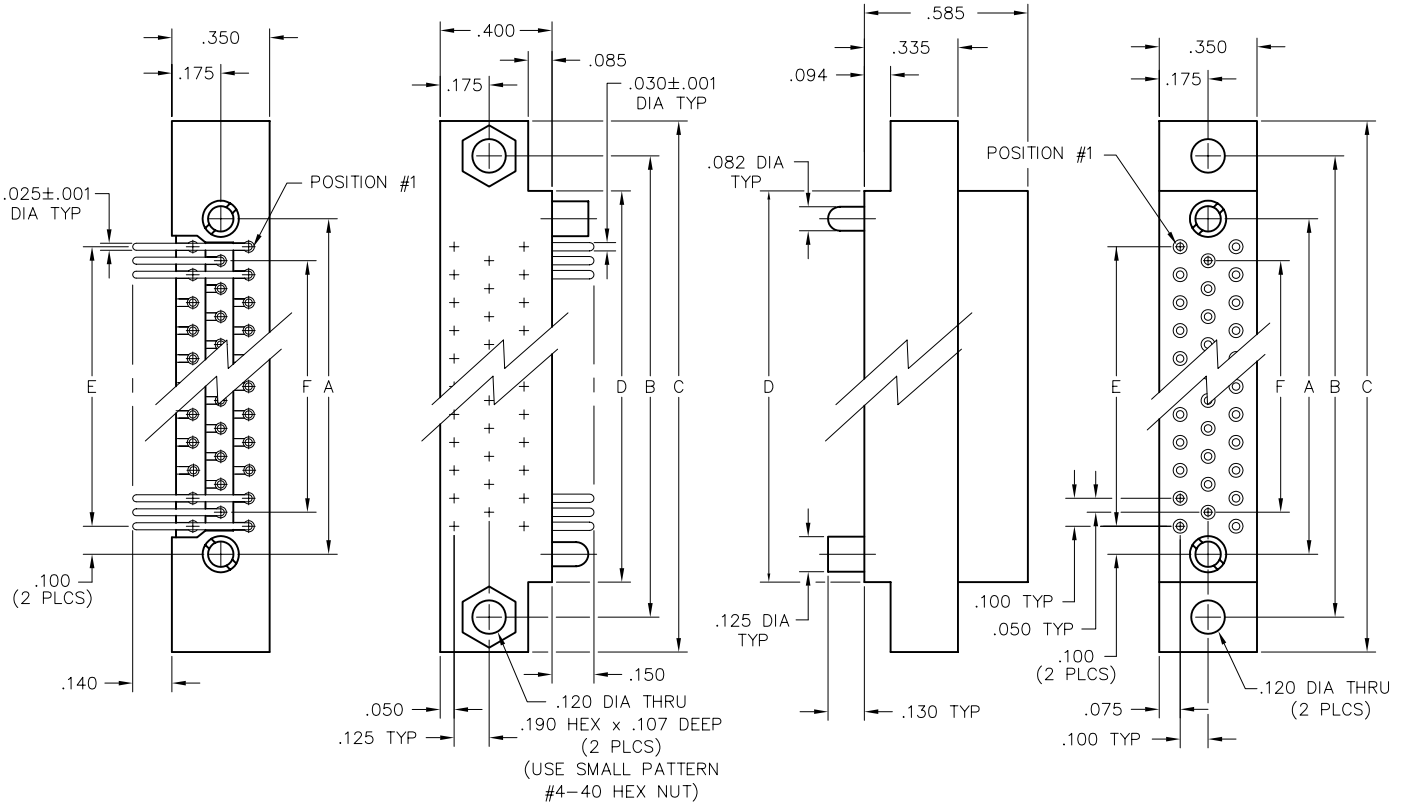
WG - WGKA

50 thru 160

WG80PR9SY



WGKA80SSY



PLUG

RECEPTACLE

| DIMENSIONS | | | | | | |
|------------|-------|-------|-------|-------|-------|-------|
| SIZE | A | B | C | D | E | F |
| 50 | 1.800 | 2.250 | 2.500 | 2.000 | 1.600 | 1.500 |
| 62 | 2.200 | 2.650 | 2.900 | 2.400 | 2.000 | 1.900 |
| 80 | 2.800 | 3.250 | 3.500 | 3.000 | 2.600 | 2.500 |
| 92 | 3.200 | 3.650 | 3.900 | 3.400 | 3.000 | 2.900 |
| 104 | 3.600 | 4.050 | 4.300 | 3.800 | 3.400 | 3.300 |
| 160* | 2.850 | 3.075 | 6.400 | 5.900 | 2.600 | 2.500 |

* = SEE OPPOSITE PAGE FOR 160 POSITION CONFIGURATION

PLUG: WG 80 PR9 SY
 RECEPTACLE: WGKA 80 S SY
 XXXX XX XXX XX

PLUG

RECEPTACLE

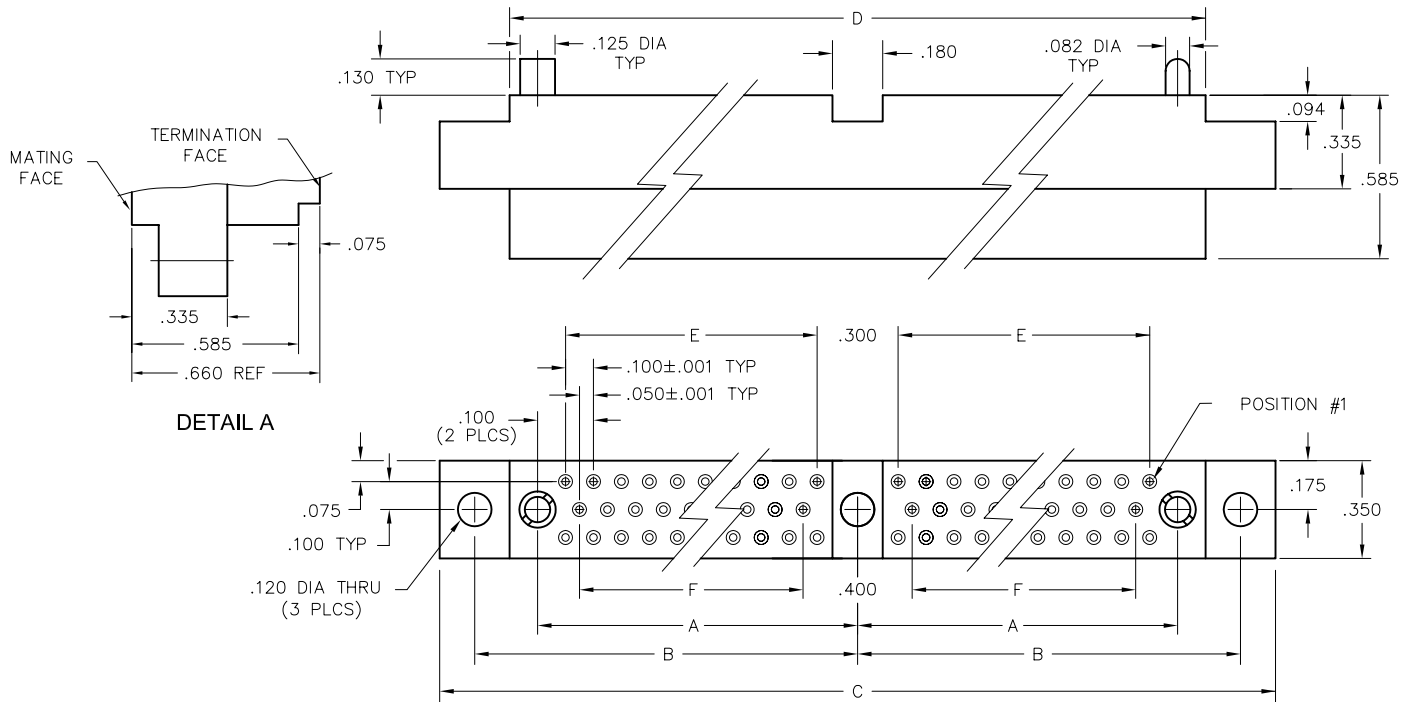
| SERIES | |
|----------------------------------------------------------------------------------------------------------------------------------|----------------------------------------------------------------|
| WG Plug, right angle, with mounting ears | WGKA Receptacle, straight, crimp removable, with mounting ears |
| <ul style="list-style-type: none"> WGKA and WGDXA also mate with WGV connectors. "A" means contacts are included. | |

| SIZE | |
|----------------------------------------------------|----------------------------------------------------|
| XX Number of contacts (50, 62, 80, 92, 104 or 160) | XX Number of contacts (50, 62, 80, 92, 104 or 160) |

| CONTACTS | |
|----------------------------------------------------------------------------------------------------------------------------------------------------------------------------------------------------------------------------------------------------------------------------------------------------------------------------------------------------------------------------------------------------------------------------|----------------------------------------------------------------------------------------------------------------------------------------------------------------------------------|
| <ul style="list-style-type: none"> The use of gaskets is not recommended with crimp socket contacts. The contact type determines image of connector. Pin, right angle contacts are always plug image. Straight pin contacts or socket contacts are receptacle image. When using crimp contacts with 20 gage barrel, barrel must be cut off prior to removing contact from connector body. | |
| <p>TYPE CONTACTS/TERMINATIONS:</p> <p>PR7 Pin, right angle, dip solder, .109" x .025" dia PR9 Pin, right angle, dip solder, .140" x .025" dia PR11 Pin, right angle, dip solder, .172" x .025" dia PRW40 Pin, right angle, wire wrap®, .625"</p> | <p>TYPE CONTACTS/TERMINATIONS:</p> <p>S Socket, straight, crimp removable, 22 AWG SA Same as above P Pin, straight, crimp removable, 22 AWG</p> |

| HARDWARE | |
|---------------------------------------------------------------------------------------------------------------------------------------------------------------------------------------------------------------------------|---------------------------|
| <ul style="list-style-type: none"> Plug facial seal gaskets and hoods; order separately or add "Q" in part number. Example: WTA10PD9QJ. See "Gaskets" and "Hoods" in Accessories section for instructions. | |
| SY Guide set | SY Guide set |
| SY-# Guide set, polarized | SY-# Guide set, polarized |

| OPTIONS | |
|---------------------------------------------------------------------------------------------------------------------------------------------------------------|---------------------------------------------------------------------------------------------------------------------|
| <ul style="list-style-type: none"> Option Codes: Add to the end of the part number. Example: WGKA80SSY-C45. Call factory for additional codes. | |
| -548 | Bond #4-40 small pattern nut into mounting holes (for right angle plug connectors only). |
| -A53 | Socket, straight, crimp removable, 20 AWG |
| -C45 | Additional .075" material at termination face for strain relief of crimped wires (22 AWG only). See Detail A below. |



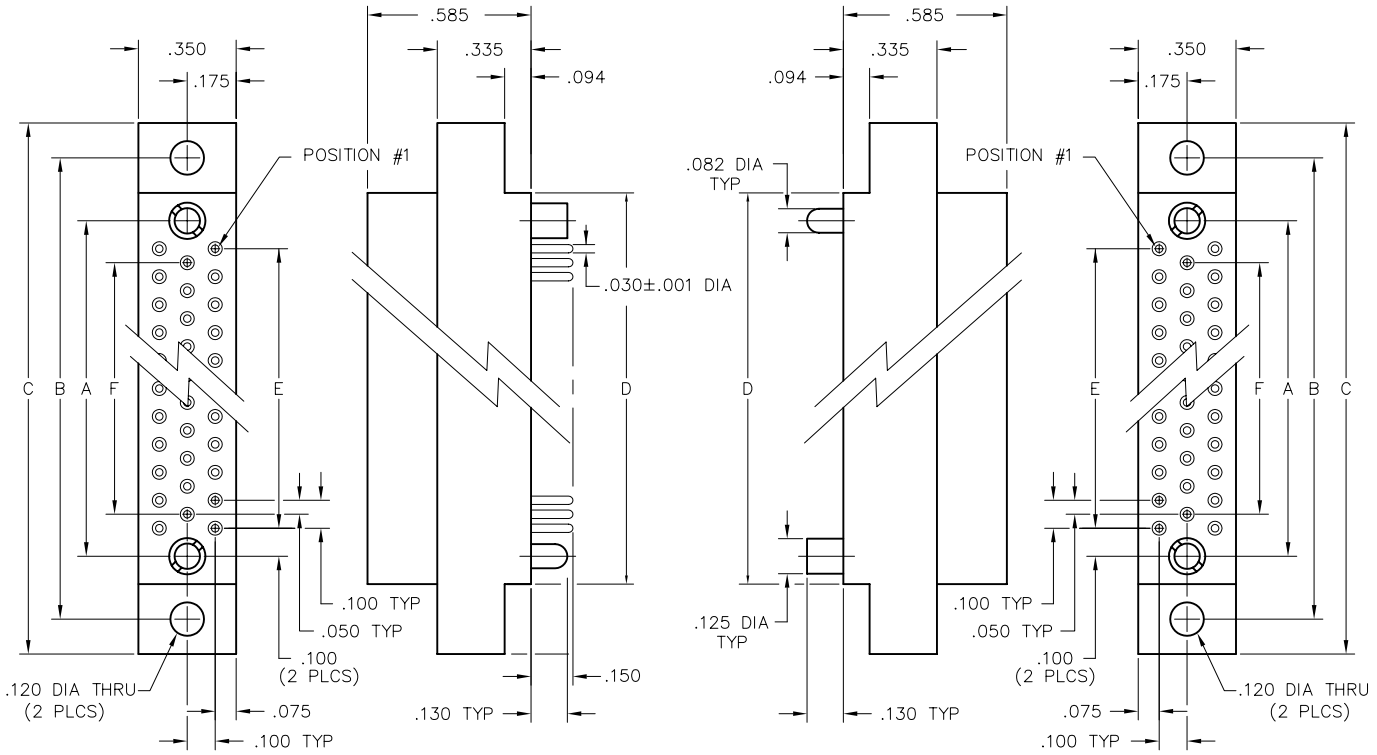
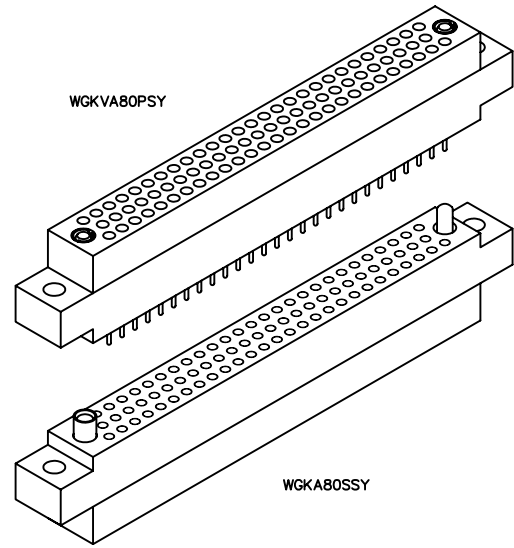
EXAMPLE: WGKA160SSY

3 • ROW Chassis to Chassis

.100"

WGKVA - WGKA

50 thru 160



PLUG

RECEPTACLE

| DIMENSIONS | | | | | | |
|------------|-------|-------|-------|-------|-------|-------|
| SIZE | A | B | C | D | E | F |
| 50 | 1.800 | 2.250 | 2.500 | 2.000 | 1.600 | 1.500 |
| 62 | 2.200 | 2.650 | 2.900 | 2.400 | 2.000 | 1.900 |
| 80 | 2.800 | 3.250 | 3.500 | 3.000 | 2.600 | 2.500 |
| 92 | 3.200 | 3.650 | 3.900 | 3.400 | 3.000 | 2.900 |
| 104 | 3.600 | 4.050 | 4.300 | 3.800 | 3.400 | 3.300 |
| 160* | 2.850 | 3.075 | 6.400 | 5.900 | 2.600 | 2.500 |

* = SEE OPPOSITE PAGE FOR 160 POSITION CONFIGURATION

PLUG: WGKVA 80 P SY
 RECEPTACLE: WGKA 80 S SY
 XXXX XX XXX XX

PLUG

RECEPTACLE

SERIES

| | |
|---------------------------------------------------------------------------------------------------------------------------------------------------------------------------------------------------------|-----------------------------------------------------------------------|
| <p>WGKVA Plug, straight, crimp removable, with mounting ears</p> <ul style="list-style-type: none"> WGKVA and WGKA also mate with WG or WGV connectors. "A" means contacts are included. | <p>WGKA Receptacle, straight, crimp removable, with mounting ears</p> |
|---------------------------------------------------------------------------------------------------------------------------------------------------------------------------------------------------------|-----------------------------------------------------------------------|

SIZE

| | |
|----------------------------------------------------|----------------------------------------------------|
| XX Number of contacts (50, 62, 80, 92, 104 or 160) | XX Number of contacts (50, 62, 80, 92, 104 or 160) |
|----------------------------------------------------|----------------------------------------------------|

CONTACTS

- The use of gaskets is not recommended with crimp socket contacts.
- When using crimp contacts with 20 gage barrel, barrel must be cut off prior to removing contact from connector body.

TYPE CONTACTS/TERMINATIONS:

P Pin, straight, crimp removable, 22 AWG
 S Socket, straight, crimp removable, 22 AWG
 SA Same as above

TYPE CONTACTS/TERMINATIONS:

S Socket, straight, crimp removable, 22 AWG
 SA Same as above
 P Pin, straight, crimp removable, 22 AWG

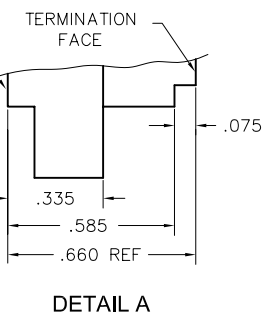
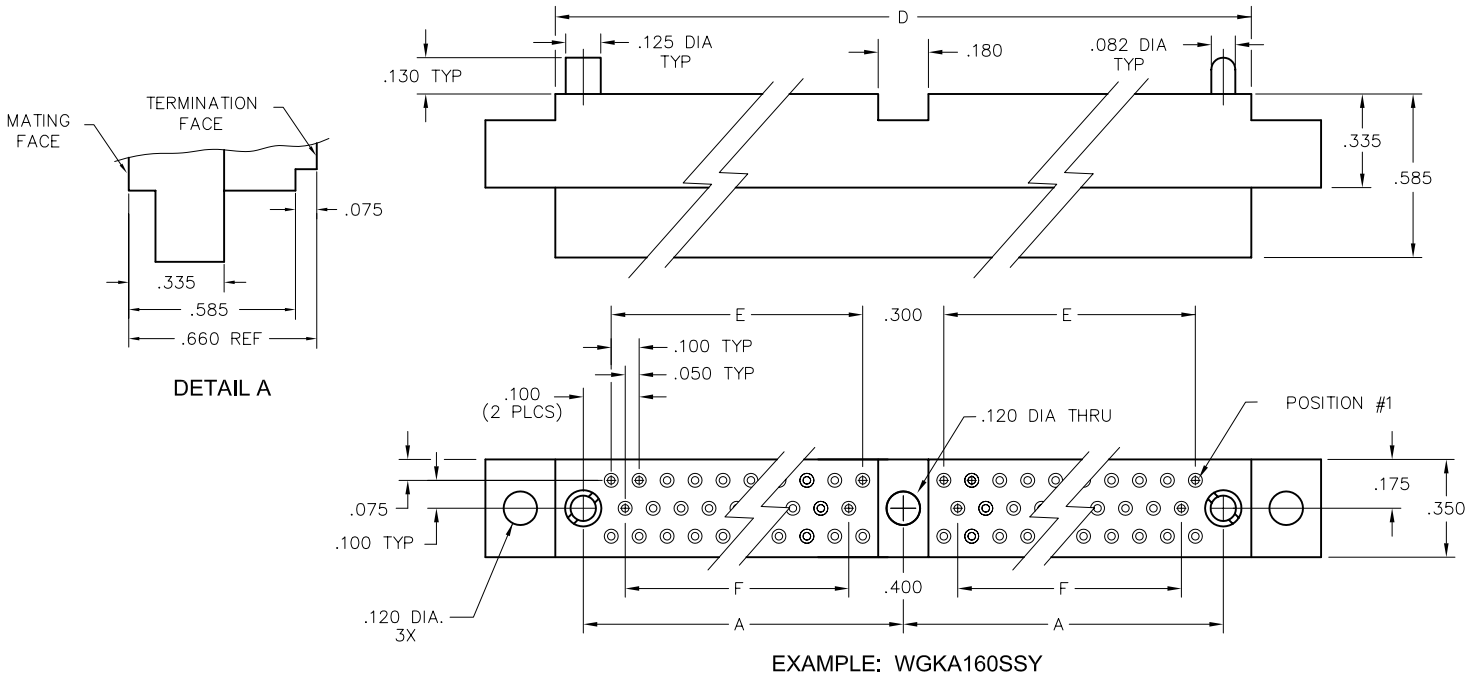
HARDWARE

SY Guide set
 SY-# Guide set, polarized
 J Fixed jackset
 JT Turning jackset, .500"
 JTA Turning jackset, .200"
 JTB Hex turning jackset, .200"
 JTC Hex turning jackset, .500"
 JTL Turning jackset, long, .700"

SY Guide set
 SY-# Guide set, polarized
 J Fixed jackset
 JT Turning jackset, .500"
 JTA Turning jackset, .200"
 JTB Hex turning jackset, .200"
 JTC Hex turning jackset, .500"
 JTL Turning jackset, long, .700"

OPTIONS

- Option Codes: Add to the end of the part number. Example: WGDXA80SSY-C45. Call factory for additional codes.
- A53 Socket, straight, crimp removable, 20 AWG
- C45 Additional .075" material at termination face for strain relief of crimped wires (22 AWG only). See Detail A below.





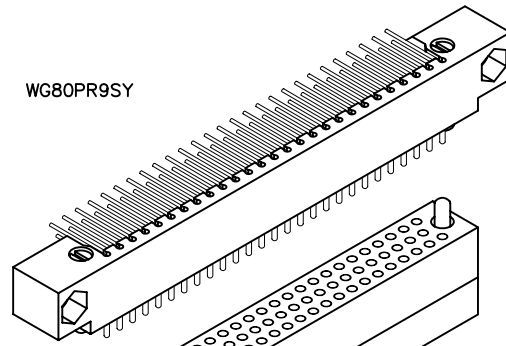
3 • ROW PC Card to Chassis

.100"

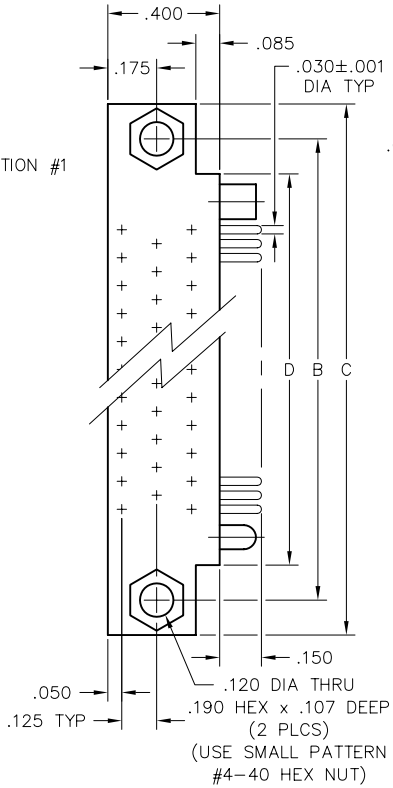
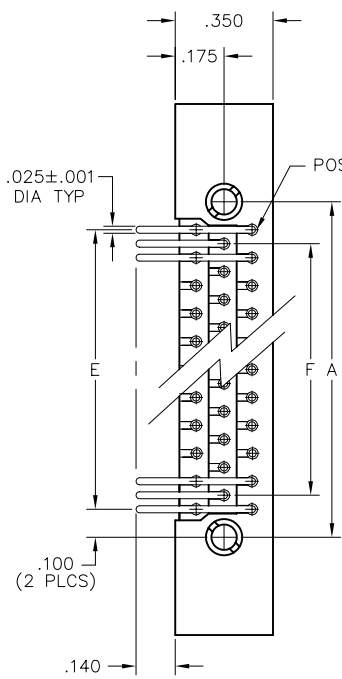
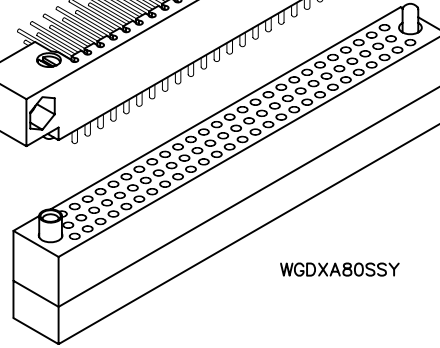
WG - WGDXA

50 thru 160

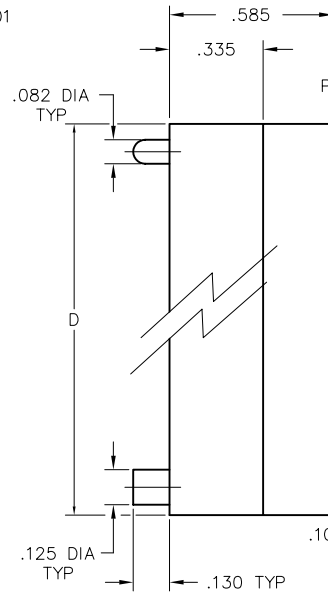
WG80PR9SY



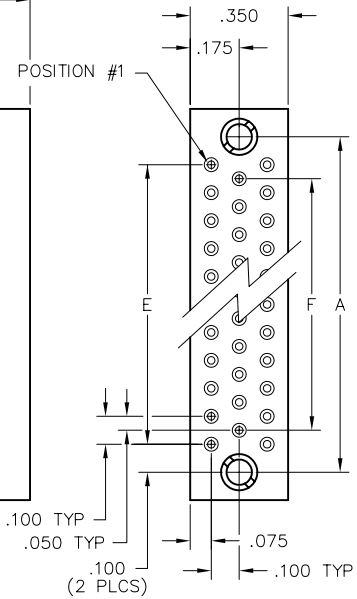
WGDXA80SSY



PLUG



RECEPTACLE



| DIMENSIONS | | | | | | |
|------------|-------|-------|-------|-------|-------|-------|
| SIZE | A | B | C | D | E | F |
| 50 | 1.800 | 2.250 | 2.500 | 2.000 | 1.600 | 1.500 |
| 62 | 2.200 | 2.650 | 2.900 | 2.400 | 2.000 | 1.900 |
| 80 | 2.800 | 3.250 | 3.500 | 3.000 | 2.600 | 2.500 |
| 92 | 3.200 | 3.650 | 3.900 | 3.400 | 3.000 | 2.900 |
| 104 | 3.600 | 4.050 | 4.300 | 3.800 | 3.400 | 3.300 |
| 160* | 2.850 | 3.075 | 6.400 | 5.900 | 2.600 | 2.500 |

* = SEE OPPOSITE PAGE FOR 160 POSITION CONFIGURATION

PLUG: WG 80 PR9 SY
 RECEPTACLE: WGDXA 80 S SY
 XXXXX XX XXX XX

PLUG

RECEPTACLE

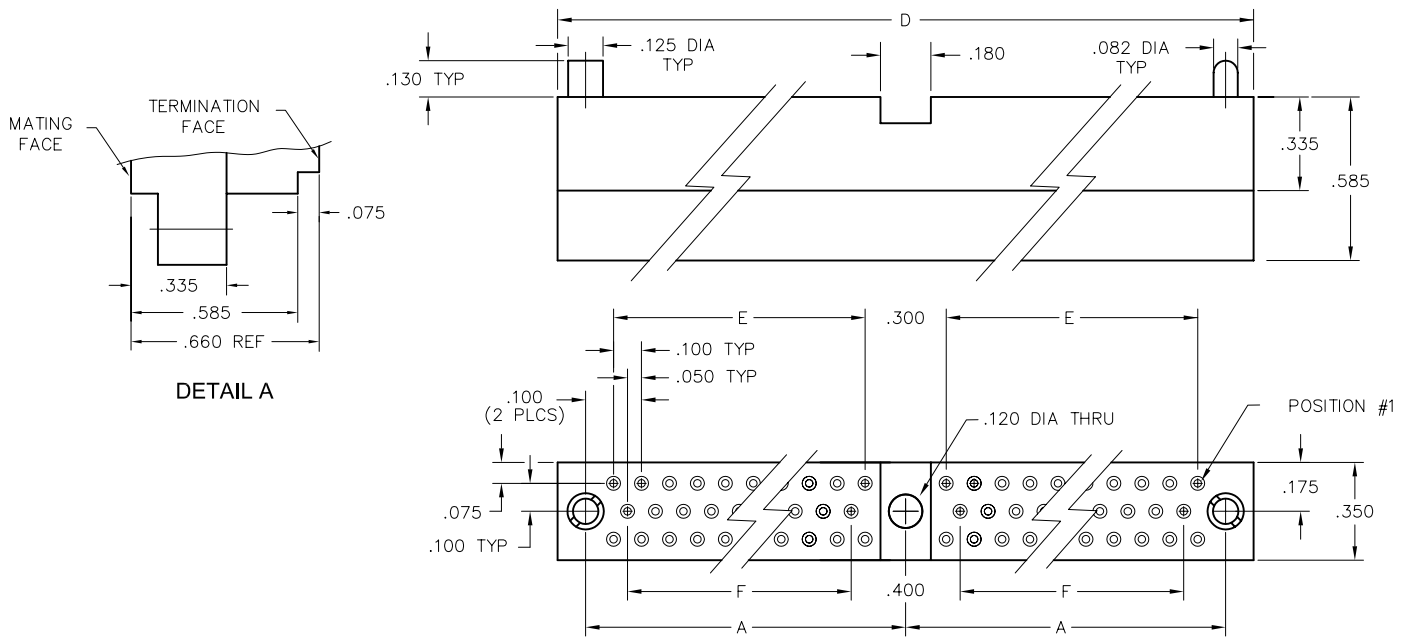
| SERIES | |
|----------------------------------------------------------------------------------------------------------------------------------|--------------------------------------------------------------------|
| WG Plug, right angle, with mounting ears | WGDXA Receptacle, straight, crimp removable, without mounting ears |
| <ul style="list-style-type: none"> WGKA and WGDXA also mate with WGV connectors. "A" means contacts are included. | |

| SIZE | |
|----------------------------------------------------|----------------------------------------------------|
| XX Number of contacts (50, 62, 80, 92, 104 or 160) | XX Number of contacts (50, 62, 80, 92, 104 or 160) |

| CONTACTS | |
|-------------------------------------------------------------------------------------------------------------------------------------------------------------------------------------------------------------------------------------------------------------------------------------------------------------------------------------------------------------------------------------------------------------------|--------------------------------------------------------------------------------------------------------------------------------------------------------------------------------------|
| <ul style="list-style-type: none"> The use of gaskets is not recommended with crimp socket contacts. The contact type determines the image of the connector. Pin, right angle contacts are always plug image. Straight pin or sockets are receptacle image. When using crimp contacts with 20 gage barrel, barrel must be cut off prior to removing contact from connector body. | |
| <p>TYPE CONTACTS/TERMINATIONS:</p> <p>PR7 Pin, right angle, dip solder, .109" x .025" dia PR9 Pin, right angle, dip solder, .140" x .025" dia PR11 Pin, right angle, dip solder, .172" x .025" dia PRW40 Pin, right angle, wire wrap®, .625"</p> | <p>TYPE CONTACTS/TERMINATIONS:</p> <p>S Socket, straight, crimp removable, 22 AWG SA Same as above P Pin, straight, crimp removable, 22 AWG</p> |

| HARDWARE | |
|--------------------------|----------------------------------|
| SY Guide set | SY Guide set |
| SY# Guide set, polarized | SY# Guide set, polarized |
| J Fixed jackset | J Fixed jackset |
| | JT Turning jackset, .500" |
| | JTA Turning jackset, .200" |
| | JTB Hex turning jackset, .200" |
| | JTC Hex turning jackset, .500" |
| | JTL Turning jackset, long, .700" |

| OPTIONS | |
|----------------------------------------------------------------------------------------------------------------------------------------------------------------|---------------------------------------------------------------------------------------------------------------------|
| <ul style="list-style-type: none"> Option Codes: Add to the end of the part number. Example: WGDXA80SSY-C45. Call factory for additional codes. | |
| -548 | Bond #4-40 small pattern nut into mounting holes (for right angle plug connectors only). |
| -A53 | Socket, straight, crimp removable, 20 AWG |
| -C45 | Additional .075" material at termination face for strain relief of crimped wires (22 AWG only). See Detail A below. |



EXAMPLE: WGDXA160SSY

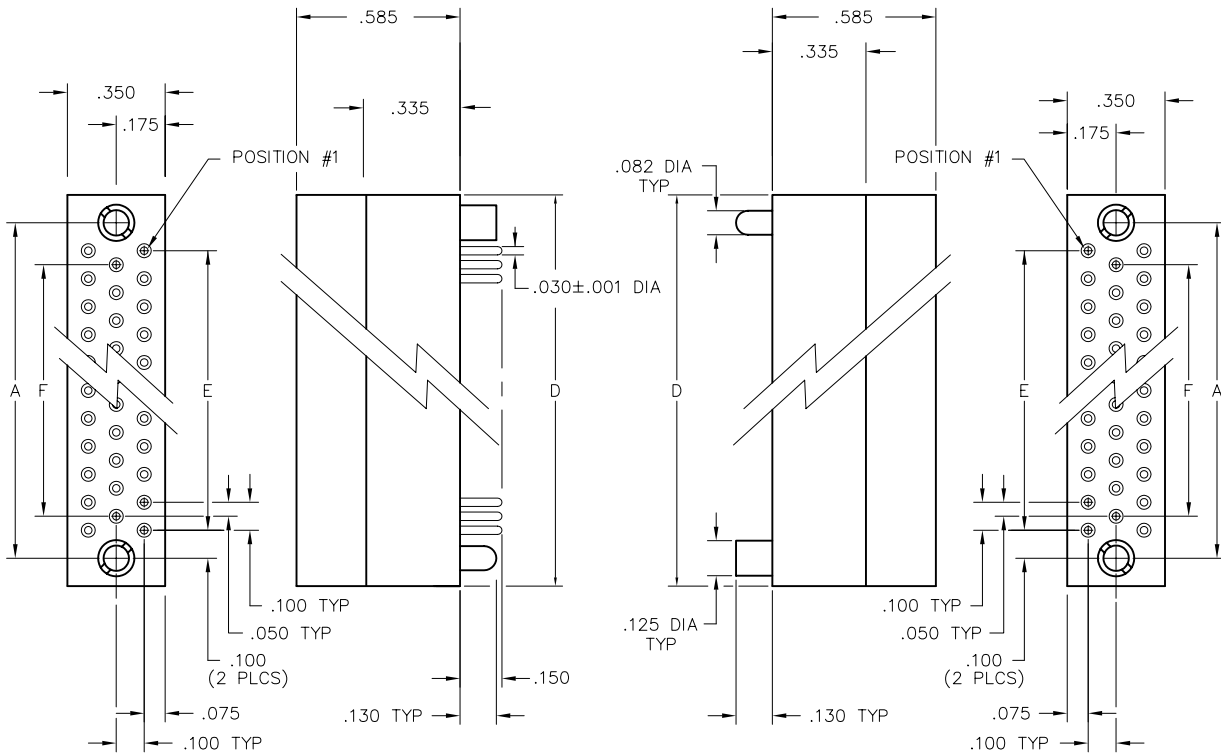
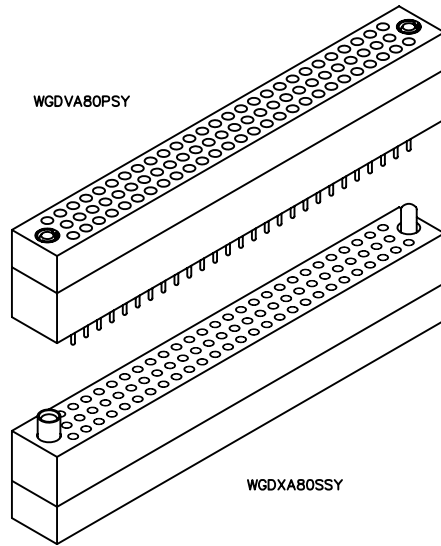


3 • ROW Chassis to Chassis

.100"

WGDVA - WGDXA

50 thru 160



PLUG

RECEPTACLE

| DIMENSIONS | | | | |
|------------|-------|-------|-------|-------|
| SIZE | A | D | E | F |
| 50 | 1.800 | 2.000 | 1.600 | 1.500 |
| 62 | 2.200 | 2.400 | 2.000 | 1.900 |
| 80 | 2.800 | 3.000 | 2.600 | 2.500 |
| 92 | 3.200 | 3.400 | 3.000 | 2.900 |
| 104 | 3.600 | 3.800 | 3.400 | 3.300 |
| 160* | 2.850 | 5.900 | 2.600 | 2.500 |

* = SEE OPPOSITE PAGE FOR 160 POSITION CONFIGURATION

PLUG: WGDVA 80 P SY
 RECEPTACLE: WGDXA 80 S SY
 XXXXX XX XXX XX

PLUG

RECEPTACLE

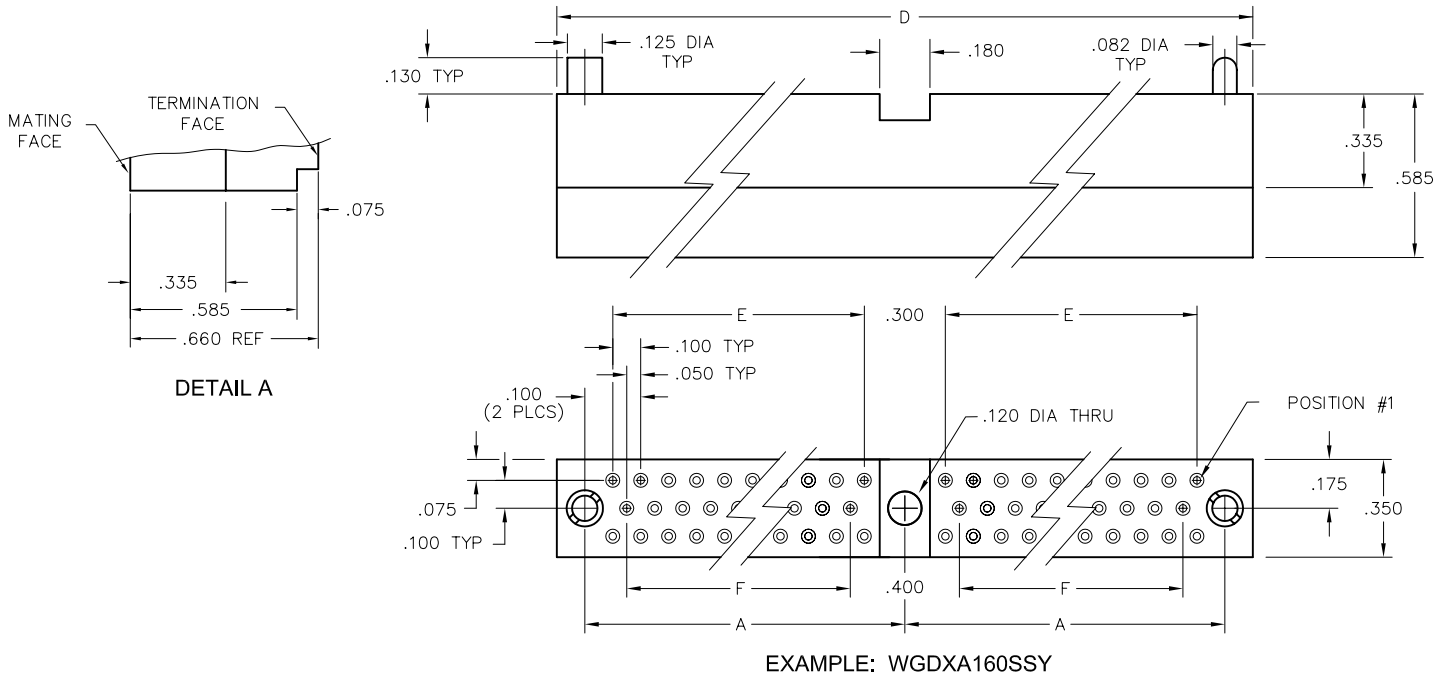
| SERIES | |
|-----------------------------------------------------------------------------------------------------------------------------------------|--------------------------------------------------------------------|
| WGDVA Plug, straight, crimp removable, without mounting ears | WGDXA Receptacle, straight, crimp removable, without mounting ears |
| <ul style="list-style-type: none"> WGDVA and WGDXA also mate with WG or WGV connectors. "A" means contacts are included. | |

| SIZE | |
|----------------------------------------------------|----------------------------------------------------|
| XX Number of contacts (50, 62, 80, 92, 104 or 160) | XX Number of contacts (50, 62, 80, 92, 104 or 160) |

| CONTACTS | |
|---------------------------------------------------------------------------------------------------------------------------------------------------------------------------------------------------------------------------------------------------|---------------------------------------------------------------------------------------------------------------------------------------------------------------|
| <ul style="list-style-type: none"> The use of gaskets is not recommended with crimp socket contacts. When using crimp contacts with 20 gage barrel, barrel must be cut off prior to removing contact from connector body. | |
| <p>TYPE CONTACTS/TERMINATIONS:</p> <p>P Pin, straight, crimp removable, 22 AWG</p> <p>S Socket, straight, crimp removable, 22 AWG</p> <p>SA Same as above</p> | <p>TYPE CONTACTS/TERMINATIONS:</p> <p>S Socket, straight, crimp removable, 22 AWG</p> <p>SA Same as above</p> <p>P Pin, straight, crimp removable, 22 AWG</p> |

| HARDWARE | |
|----------------------------------|----------------------------------|
| SY Guide set | SY Guide set |
| SY-# Guide set, polarized | SY-# Guide set, polarized |
| J Fixed jackset | J Fixed jackset |
| JT Turning jackset, .500" | JT Turning jackset, .500" |
| JTA Turning jackset, .200" | JTA Turning jackset, .200" |
| JTB Hex turning jackset, .200" | JTB Hex turning jackset, .200" |
| JTC Hex turning jackset, .500" | JTC Hex turning jackset, .500" |
| JTL Turning jackset, long, .700" | JTL Turning jackset, long, .700" |

| OPTIONS | |
|----------------------------------------------------------------------------------------------------------------------------------------------------------------|---------------------------------------------------------------------------------------------------------------------|
| <ul style="list-style-type: none"> Option Codes: Add to the end of the part number. Example: WGDXA80SSY-C45. Call factory for additional codes. | |
| -A53 | Socket, straight, crimp removable, 20 AWG |
| -C45 | Additional .075" material at termination face for strain relief of crimped wires (22 AWG only). See Detail A below. |



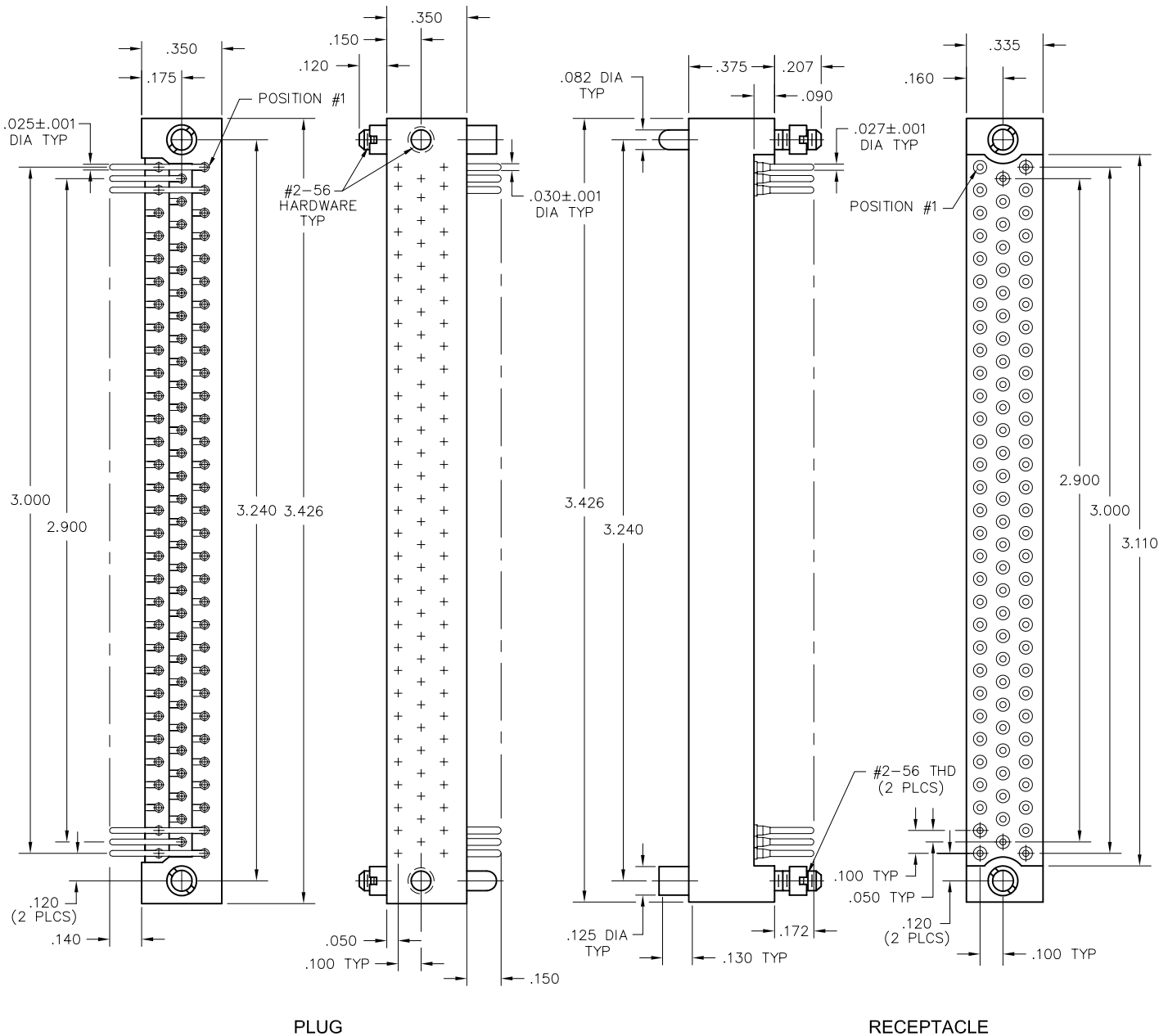
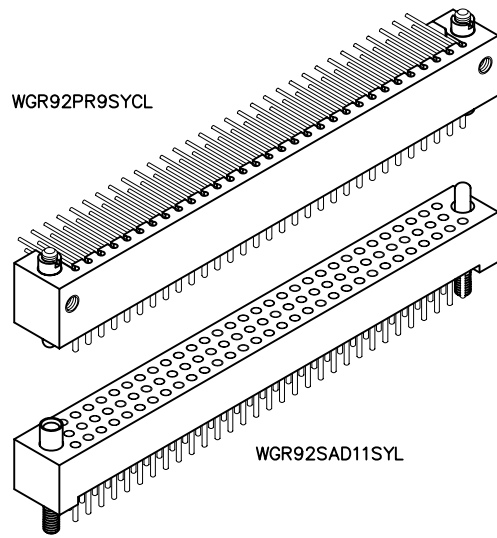


3 • ROW
PC Card to
Board or Chassis

.100"

WGR - WGR

92 Contacts



PLUG: WGR 92 PR9 SYCL
 RECEPTACLE: WGR 92 SAD11 SYL
 XXX XX XXXXX XXXX

PLUG

RECEPTACLE

| SERIES | |
|----------------------------------------------|-------------------------------------------------|
| WGR Plug, right angle, without mounting ears | WGR Receptacle, straight, without mounting ears |

| SIZE | |
|-----------------------|-----------------------|
| 92 Number of contacts | 92 Number of contacts |

CONTACTS

- When pin contacts are used, standard hardware orientation places the female hardware next to the #1 pin contact.
- When socket contacts are used, standard hardware orientation places the male hardware next to the #1 socket contact.

TYPE CONTACTS/TERMINATIONS:

| | |
|------|-------------------------------------------------|
| PR7 | Pin, right angle, dip solder, .109" x .025" dia |
| PR9 | Pin, right angle, dip solder, .140" x .025" dia |
| PR11 | Pin, right angle, dip solder, .172" x .025" dia |

TYPE CONTACTS/TERMINATIONS:

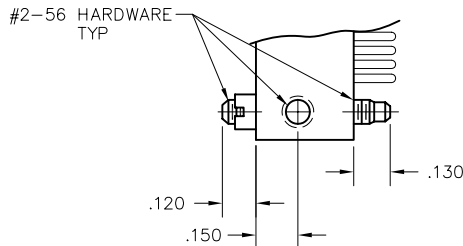
| | |
|-------|----------------------------------------------------------|
| SAC | Socket, straight, solder cup (.035" I.D.) |
| SAD7 | Socket, straight, dip solder, .109" x .027" dia |
| SAD9 | Socket, straight, dip solder, .140" x .027" dia |
| SAD11 | Socket, straight, dip solder, .172" x .027" dia |
| SAD16 | Socket, straight, dip solder, .250" x .027" dia |
| SAG7 | Socket, straight, dip solder, .109" x .018" dia |
| SAG9 | Socket, straight, dip solder, .140" x .018" dia |
| SAG11 | Socket, straight, dip solder, .172" x .018" dia |
| SAP | Socket, straight, pin termination .150", connector saver |
| SAW40 | Socket, straight, wire wrap®, .625" |
| SAF6 | Socket, straight, flex circuit, .093" |

HARDWARE

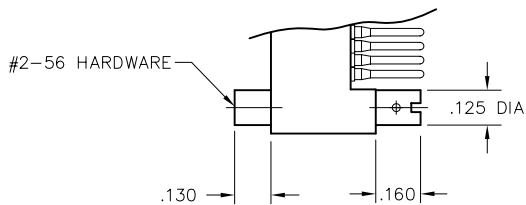
| | | | |
|------|---------------------------------|-----|------------------------|
| SYCL | Guide set, cross hole mount | SYL | Guide set, long |
| JCL | Fixed jackset, cross hole mount | JT | Turning jackset, .460" |
| | | JTA | Turning jackset, .160" |

OPTIONS

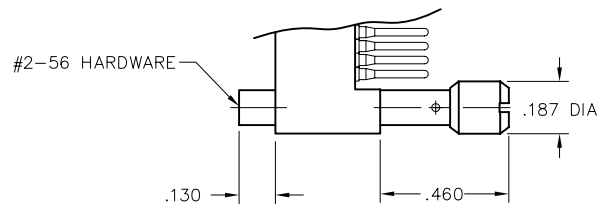
- Option Codes: Add to the end of the part number. Example: WGR92PR9JCL-D01. Call factory for additional codes.
- D01 Pretinned contact terminations (except solder cups, wire wraps® and flex contacts) with 63/37 or 60/40 solder.
- P39 Pretinned contact terminations (except solder cups, wire wraps® and flex contacts) with SAC305 solder (lead free).
- = Option not RoHS compliant



EXAMPLE: -JCL HARDWARE (PLUG)



EXAMPLE: -JTA HARDWARE (RECEPTACLE)



EXAMPLE: -JT HARDWARE (RECEPTACLE)



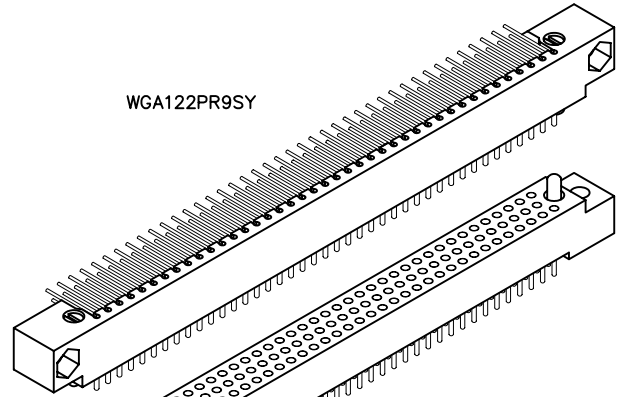
**3 • ROW
PC Card to
Board or Chassis**

.100"

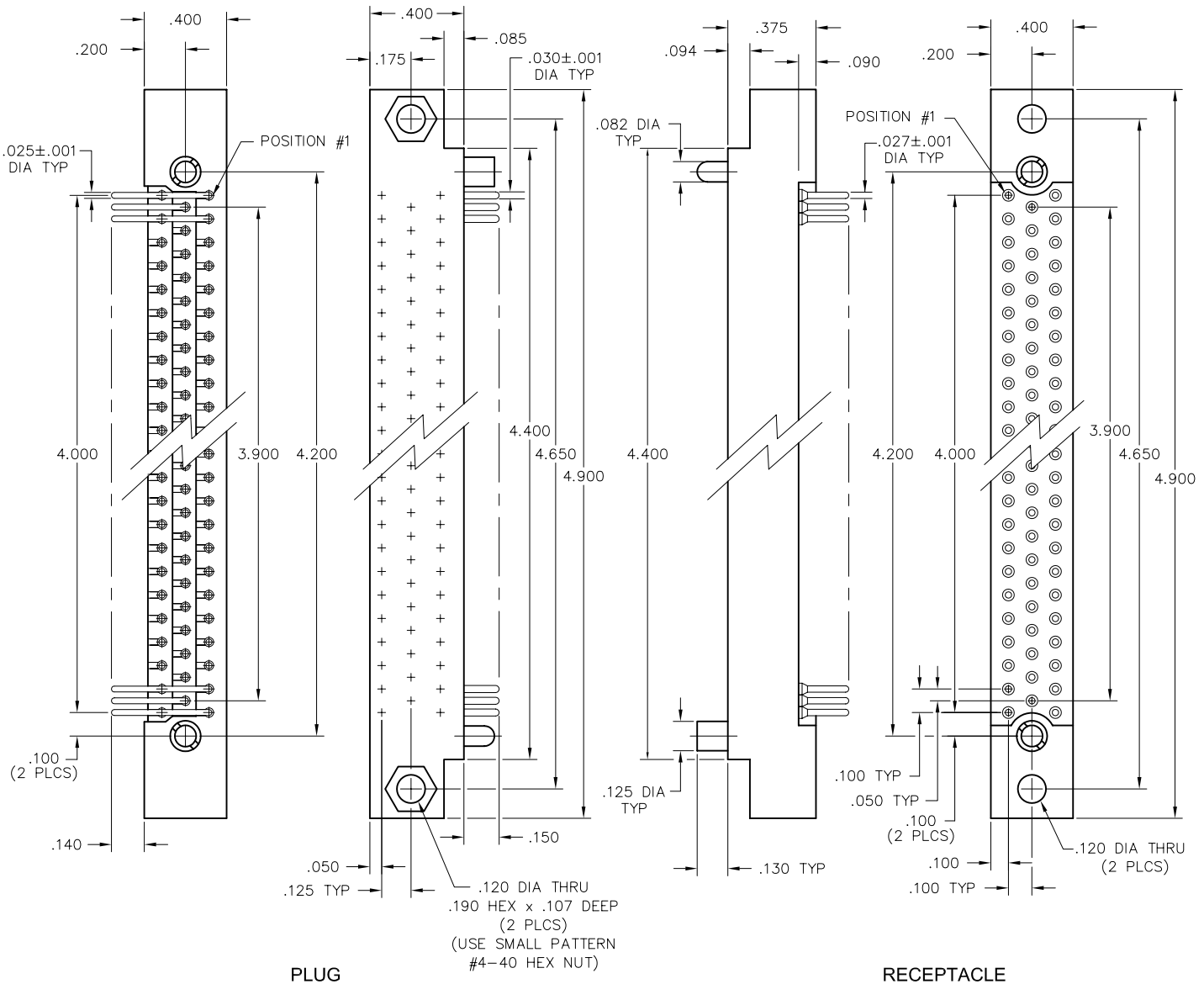
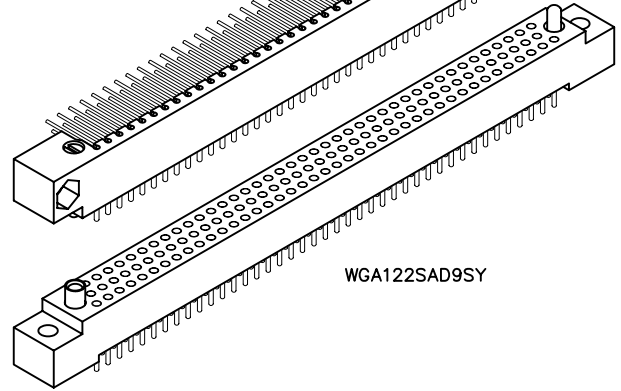
WGA - WGA

122 Contacts

WGA122PR9SY



WGA122SAD9SY



PLUG

RECEPTACLE

| SERIES | |
|-------------------------------------------|-------------------------------------------------------------------------------------------------|
| WGA Plug, right angle, with mounting ears | WGA Receptacle, straight, with mounting ears WGA Receptacle, right angle, with mounting ears |

| SIZE | |
|------------------------|------------------------|
| 122 Number of contacts | 122 Number of contacts |

CONTACTS

- The contact type determines image of connector. Pin, right angle contacts are always plug image. Straight pin contacts or socket contacts are receptacle image.

TYPE CONTACTS/TERMINATIONS:

| | |
|-------|--------------------------------------------------|
| PR7 | Pin, right angle, dip solder, .109" x .025" dia |
| PR9 | Pin, right angle, dip solder, .140" x .025" dia |
| PR11 | Pin, right angle, dip solder, .172" x .025" dia |
| PRW32 | Pin, right angle, wire wrap [®] , .500" |

TYPE CONTACTS/TERMINATIONS:

| | |
|-------|----------------------------------------------------------|
| SAC | Socket, straight, solder cup (.035" I.D.) |
| SAD7 | Socket, straight, dip solder, .109" x .027" dia |
| SAD9 | Socket, straight, dip solder, .140" x .027" dia |
| SAD11 | Socket, straight, dip solder, .172" x .027" dia |
| SAF3 | Socket, straight, flex circuit, .050" |
| SAF6 | Socket, straight, flex circuit, .093" |
| SAF9 | Socket, straight, flex circuit, .140" |
| SAG7 | Socket, straight, dip solder, .109" x .018" dia |
| SAG9 | Socket, straight, dip solder, .140" x .018" dia |
| SAG11 | Socket, straight, dip solder, .172" x .018" dia |
| SAP | Socket, straight, pin termination .150", connector saver |
| SAW24 | Socket, straight, wire wrap [®] , .375" |
| SAW40 | Socket, straight, wire wrap [®] , .625" |
| SOR7 | Socket, right angle, dip solder, .109" x .025" dia |
| SOR9 | Socket, right angle, dip solder, .140" x .025" dia |
| SOR11 | Socket, right angle, dip solder, .172" x .025" dia |

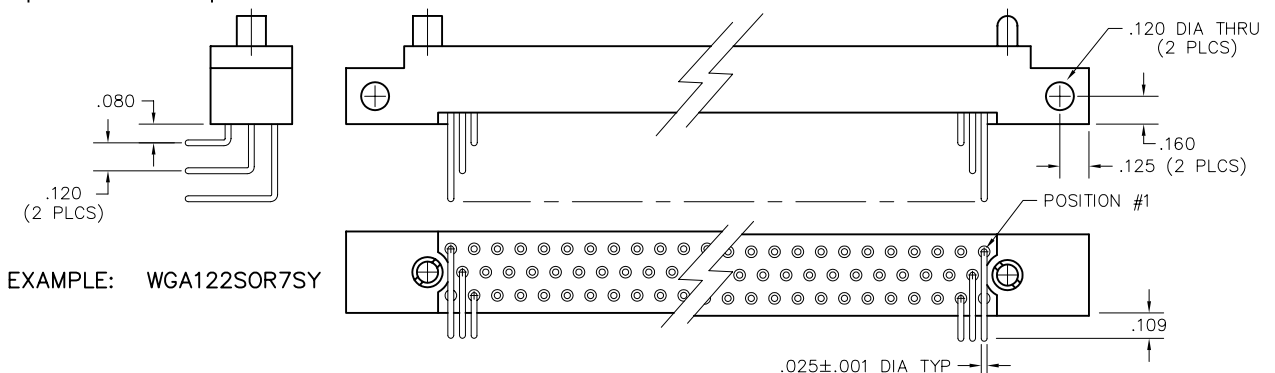
HARDWARE

| | | | |
|------|------------------------------|------|------------------------------|
| SY | Guide set | SY | Guide set |
| SY-# | Guide set, polarized | SY-# | Guide set, polarized |
| SYL | Guide set, long | SYL | Guide set, long |
| J | Fixed jackset | J | Fixed jackset |
| JT | Turning jackset, .435" | JL | Fixed jackset, long |
| JTA | Turning jackset, .135" | JT | Turning jackset, .460" |
| JTB | Hex turning jackset, .135" | JTA | Turning jackset, .160" |
| JTC | Turning jackset, .435" | JTB | Hex turning jackset, .160" |
| JTL | Turning jackset, long, .635" | JTC | Turning jackset, .460" |
| | | JTL | Turning jackset, long, .660" |

OPTIONS

- Option Codes: Add to the end of the part number. Example: WGA122PR9SY548. Call factory for additional codes.
- 342 Remove mounting ears. (.250" each end)
- 548 Bond #4-40 small pattern nut into mounting holes (for right angle plug connectors only).
- B82 Termination face sealed against conformal coating
- D01 Pretinned contact terminations (except solder cups, wire wraps[®] and flex contacts) with 63/37 or 60/40 solder. ☒
- P39 Pretinned contact terminations (except solder cups, wire wraps[®] and flex contacts) with SAC305 solder (lead free).
- G69 Solder cups fixed in an outward orientation (otherwise contacts will rotate)
- 413 Straight pin contacts in right angle plug molding with solder cup terminals extending .100" beyond molding.
- D54 Combine -B82 and -D01 special codes.

☒ = Option not RoHS compliant



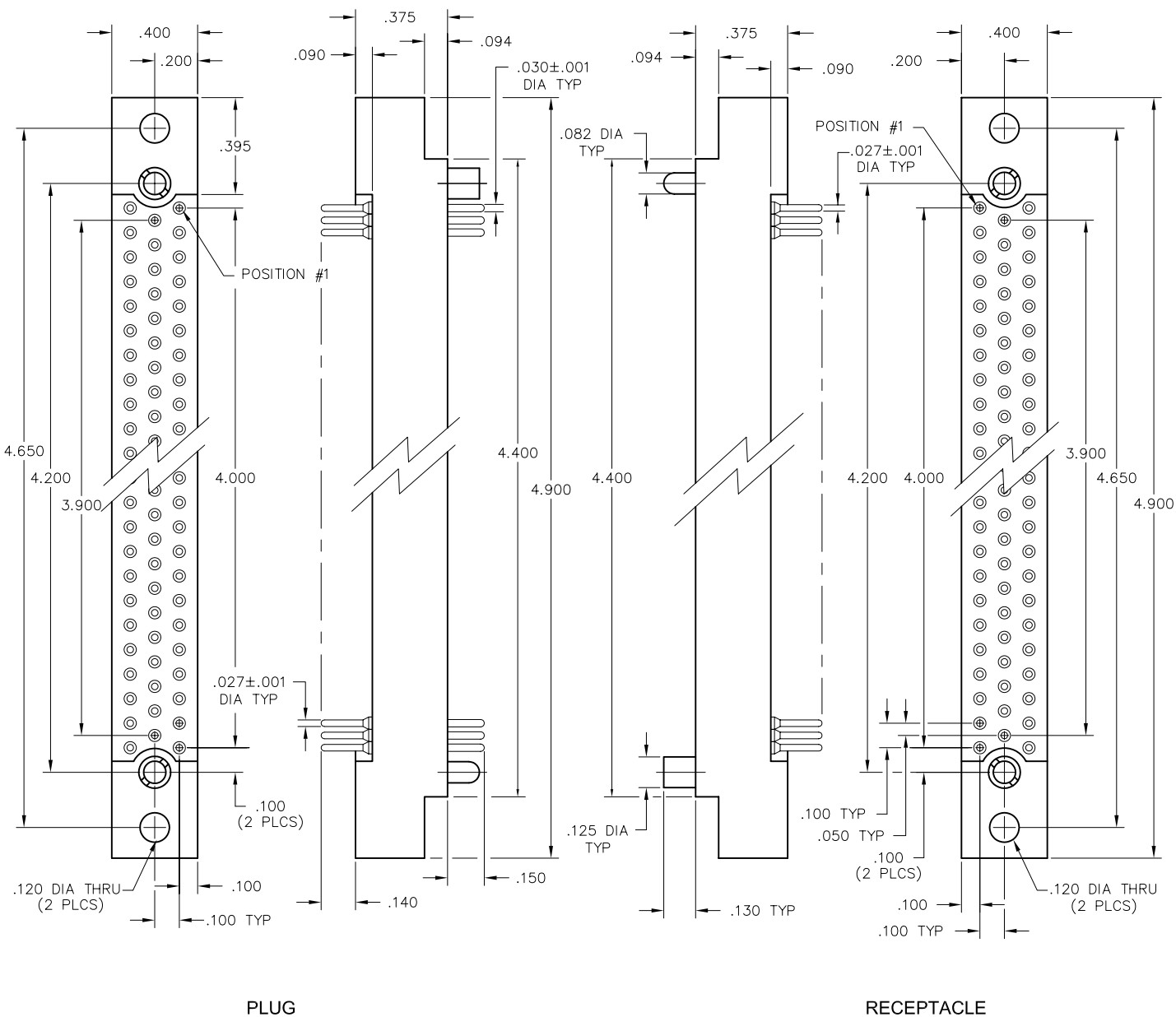
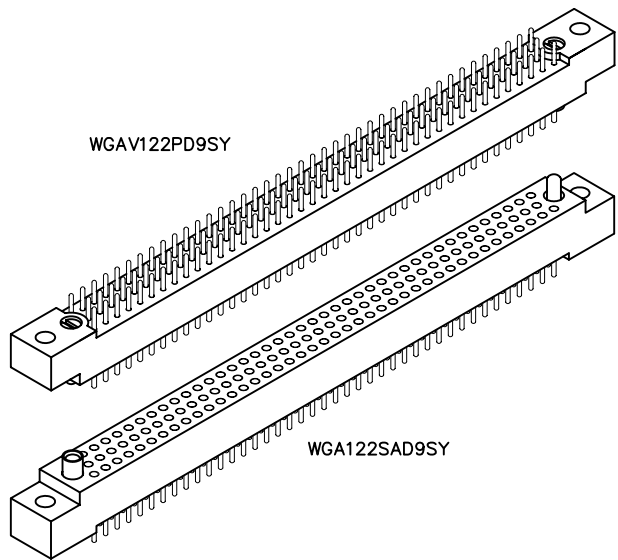


3 • ROW Sandwich Boards

.100"

WGAV - WGA

122 Contacts



PLUG: WGAV 122 PD9 SY
 RECEPTACLE: WGA 122 SAD9 SY
 XXXX XXX XXXX XX

PLUG

RECEPTACLE

| SERIES | |
|-----------------------------------------|-------------------------------------------------------------------------------------------------|
| WGAV Plug, straight, with mounting ears | WGA Receptacle, straight, with mounting ears WGA Receptacle, right angle, with mounting ears |

| SIZE | |
|------------------------|------------------------|
| 122 Number of contacts | 122 Number of contacts |

CONTACTS

- Pin or socket contacts can be used in either plug or receptacle.
- When pin contacts are used, standard hardware orientation places the female hardware next to the #1 pin contact.
- When socket contacts are used, standard hardware orientation places the male hardware next to the #1 socket contact.

TYPE CONTACTS/TERMINATIONS:

| | |
|------|----------------------------------------------|
| PC | Pin, straight, solder cup (.035" I.D.) |
| PD7 | Pin, straight, dip solder, .109" x .027" dia |
| PD9 | Pin, straight, dip solder, .140" x .027" dia |
| PD11 | Pin, straight, dip solder, .172" x .027" dia |
| PD15 | Pin, straight, dip solder, .234" x .027" dia |
| PF6 | Pin, straight, flex circuit, .093" |

TYPE CONTACTS/TERMINATIONS:

| | |
|-------|----------------------------------------------------------|
| SAC | Socket, straight, solder cup (.035" I.D.) |
| SAD7 | Socket, straight, dip solder, .109" x .027" dia |
| SAD9 | Socket, straight, dip solder, .140" x .027" dia |
| SAD11 | Socket, straight, dip solder, .172" x .027" dia |
| SAF3 | Socket, straight, flex circuit, .050" |
| SAF6 | Socket, straight, flex circuit, .093" |
| SAF9 | Socket, straight, flex circuit, .140" |
| SAG7 | Socket, straight, dip solder, .109" x .018" dia |
| SAG9 | Socket, straight, dip solder, .140" x .018" dia |
| SAG11 | Socket, straight, dip solder, .172" x .018" dia |
| SAP | Socket, straight, pin termination .150", connector saver |
| SAW24 | Socket, straight, wire wrap [®] , .375" |
| SAW40 | Socket, straight, wire wrap [®] , .625" |
| SOR7 | Socket, right angle, dip solder, .109" x .025" dia |
| SOR9 | Socket, right angle, dip solder, .140" x .025" dia |
| SOR11 | Socket, right angle, dip solder, .172" x .025" dia |

HARDWARE

- Plug facial seal gaskets and hoods; order separately or add "Q" in part number. Example: WGAV122PD9QJ. See "Gaskets" and "Hoods" in Accessories section for instructions.

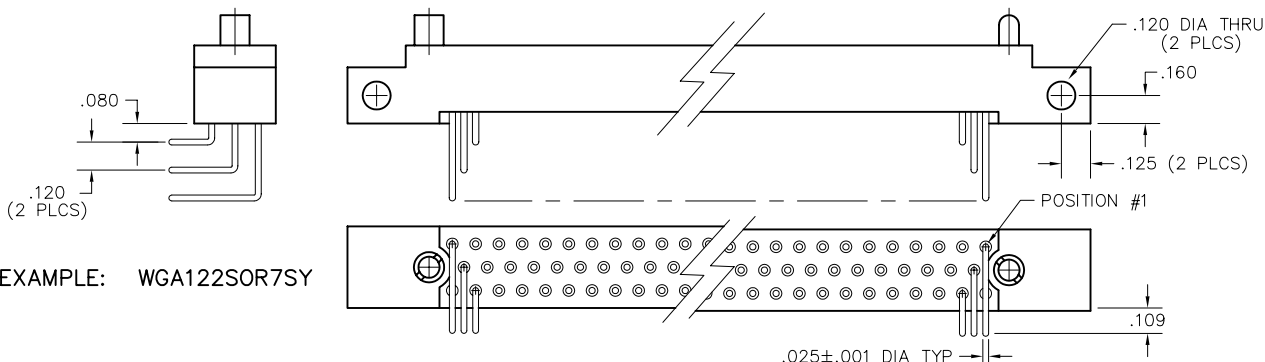
| | |
|------|------------------------------|
| SY | Guide set |
| SY-# | Guide set, polarized |
| SYL | Guide set, long |
| J | Fixed jackset |
| JL | Fixed jackset, long |
| JT | Turning jackset, .460" |
| JTA | Turning jackset, .160" |
| JTB | Hex turning jackset, .160" |
| JTC | Hex turning jackset, .460" |
| JTL | Turning jackset, long, .660" |

| | |
|------|------------------------------|
| SY | Guide set |
| SY-# | Guide set, polarized |
| SYL | Guide set, long |
| J | Fixed jackset |
| JL | Fixed jackset, long |
| JT | Turning jackset, .460" |
| JTA | Turning jackset, .160" |
| JTB | Hex turning jackset, .160" |
| JTC | Hex turning jackset, .460" |
| JTL | Turning jackset, long, .660" |

OPTIONS

- Option Codes: Add to the end of the part number. Example: WGAV122PD9SY-D01. Call factory for additional codes.
- 342 Remove mounting ears, (.250" each end)
- B82 Termination face sealed against conformal coating
- D01 Pretinned contact terminations (except solder cups, wire wraps[®] and flex contacts) with 63/37 or 60/40 solder.
- P39 Pretinned contact terminations (except solder cups, wire wraps[®] and flex contacts) with SAC305 solder (lead free).
- G69 Solder cups fixed in an outward orientation (otherwise contacts will rotate)

= Option not RoHS compliant



EXAMPLE: WGA122SOR7SY

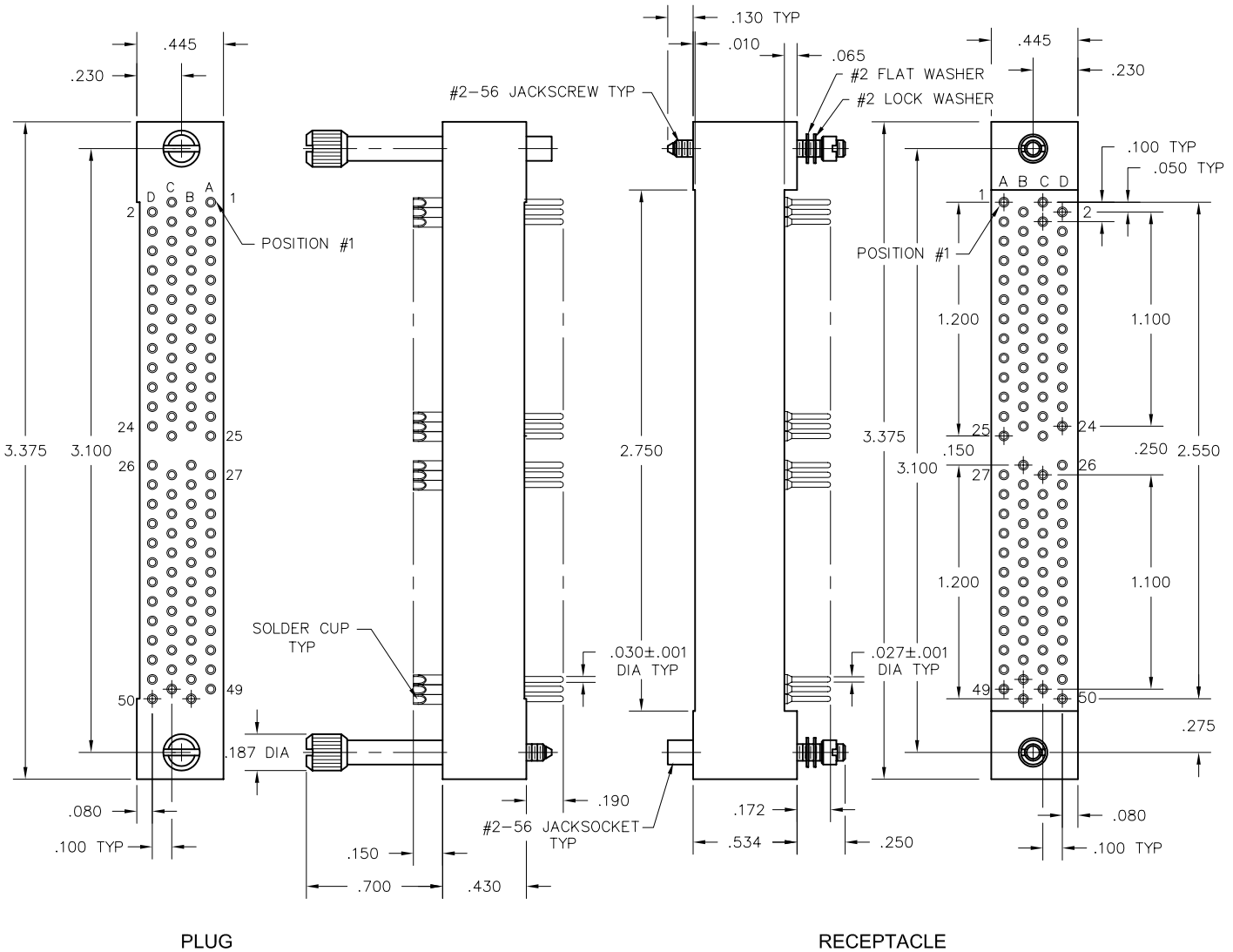
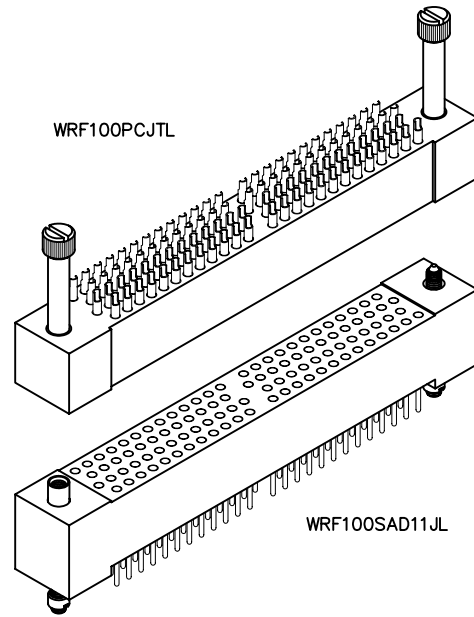


4 • ROW Cable to Board or Panel

.100"

WRF - WRF

100 Contacts



PLUG: WRF 100 PC JTL
 RECEPTACLE: WRF 100 SAD11 JL
 XXX XXX XXXXX XXX

PLUG

RECEPTACLE

| SERIES | |
|-------------------------------------------|-------------------------------------------------|
| WRF Plug, straight, without mounting ears | WRF Receptacle, straight, without mounting ears |

| SIZE | |
|------------------------|------------------------|
| 100 Number of contacts | 100 Number of contacts |

| CONTACTS | |
|------------------------------------------------------------------------------------------------------------------------------------------------------------------------------------------------------------------------------------------------------------------------------------------------------------------------------|---------------------------------------------------------------------------------------------------------------------------------------------------------------------------------------------------------------------------------------------------------------|
| <ul style="list-style-type: none"> • Contact identification: Looking at the mating face of the connector, each contact has a double indicator designation, including a row letter and a position number. Rows "A" & "C" contain odd numbers 1 thru 49; rows "B" & "D" contain even numbers 2 thru 50. | |
| TYPE CONTACTS/TERMINATIONS: PC Pin, straight, solder cup PD11 Pin, straight, dip solder, .172" x .027" dia PF6 Pin, straight, flex circuit, .093" | TYPE CONTACTS/TERMINATIONS: SAC Socket, straight, solder cup (.035" I.D.) SAD9 Socket, straight, dip solder, .140" x .027" dia SAD11 Socket, straight, dip solder, .172" x .027" dia SAP Socket, straight, pin termination .150", connector saver |

| HARDWARE | |
|---------------------------------|------------------------|
| JTB Hex turning jackset, .200" | J Fixed jackset |
| JTL Long turning jackset, .700" | JL Fixed jackset, long |

| OPTIONS | |
|---------------------------------------------------------------------------------------------------------------------------------------------------------------------|----------------------------------------------------------------------------------------------------------------------------------------------------------------|
| <ul style="list-style-type: none"> • Option Codes: Add to the end of the part number. Example: WRF100SAD11JL-D54. Call factory for additional codes. | |
| -B82 | Termination face sealed against conformal coating |
| -D01 | Pretinned contact terminations (except solder cups, wire wraps [®] and flex contacts) with 63/37 or 60/40 solder. <input checked="" type="checkbox"/> |
| -P39 | Pretinned contact terminations (except solder cups, wire wraps [®] and flex contacts) with SAC305 solder (lead free). |
| -D54 | Combine -B82 & -D01 special codes |
| <input checked="" type="checkbox"/> = Option not RoHS compliant | |

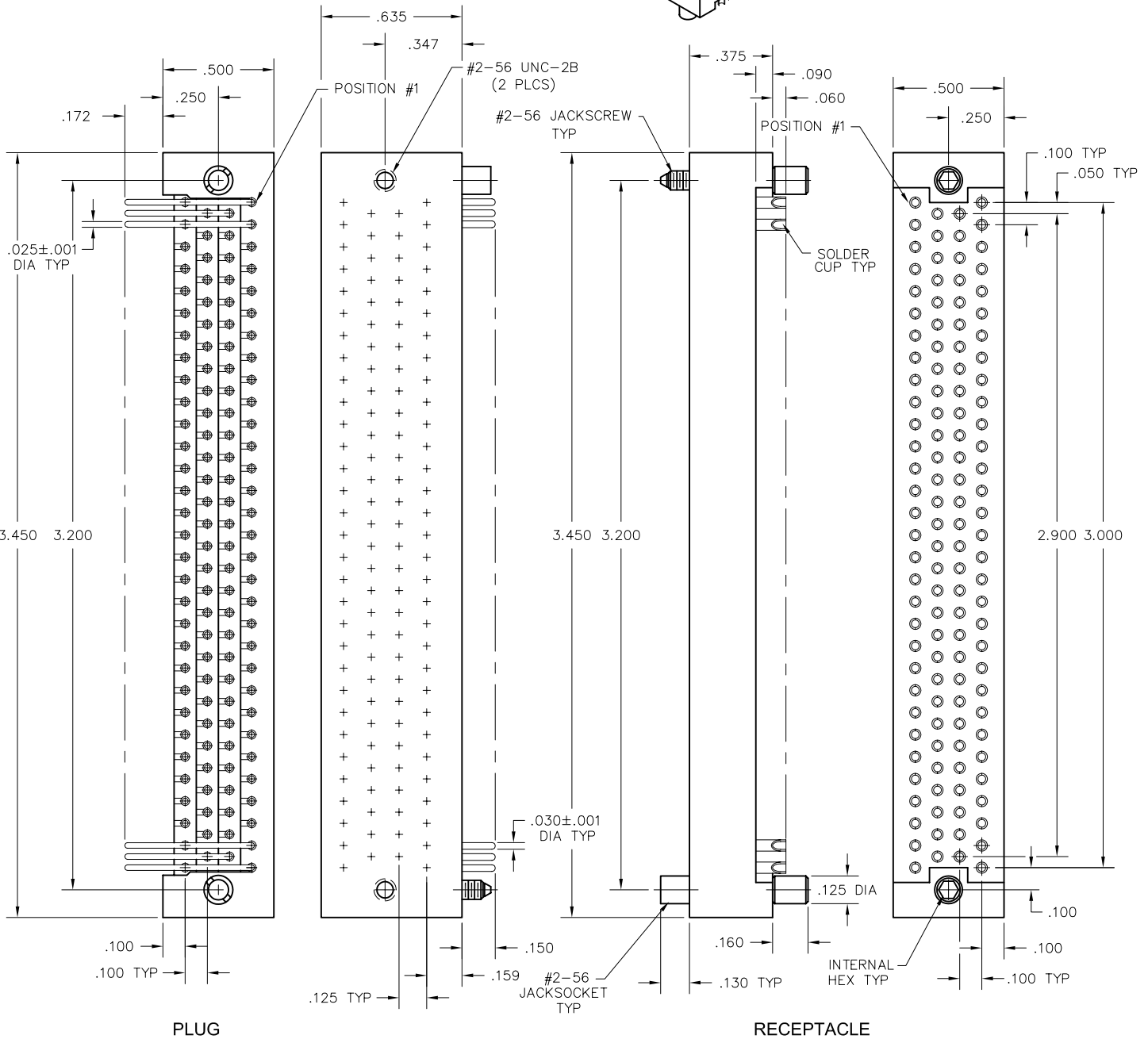
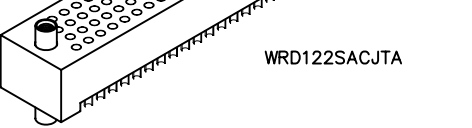
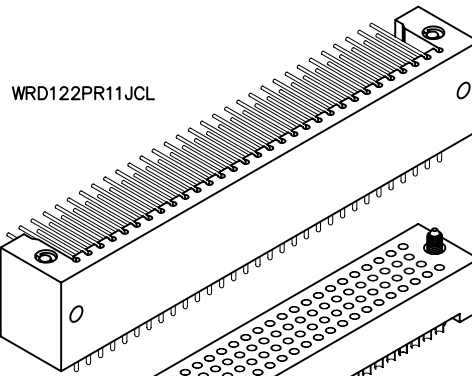


4 • ROW PC Card to Board or Chassis

.100"

WRD - WRD

122 Contacts



PLUG: WRD 122 PR11 JCL
 RECEPTACLE: WRD 122 SAC JTA
 XXX XXX XXXX XXX

PLUG

RECEPTACLE

SERIES

| | |
|----------------------------------------------|----------------------------------------------------|
| WRD Plug, right angle, without mounting ears | WRD Receptacle, straight, without mounting ears |
| | WRD Receptacle, right angle, without mounting ears |

SIZE

| | |
|------------------------|------------------------|
| 122 Number of contacts | 122 Number of contacts |
|------------------------|------------------------|

CONTACTS

| TYPE CONTACTS/TERMINATIONS: | TYPE CONTACTS/TERMINATIONS: |
|------------------------------------------------------|--------------------------------------------------------------|
| PR5 Pin, right angle, dip solder, .078" x .025" dia | SAC Socket, straight, solder cup (.035" I.D.) |
| PR7 Pin, right angle, dip solder, .109" x .025" dia | SAD7 Socket, straight, dip solder, .109" x .027" dia |
| PR9 Pin, right angle, dip solder, .140" x .025" dia | SAD9 Socket, straight, dip solder, .140" x .027" dia |
| PR11 Pin, right angle, dip solder, .172" x .025" dia | SAD11 Socket, straight, dip solder, .172" x .027" dia |
| | SAD15 Socket, straight, dip solder, .234" x .027" dia |
| | SAF3 Socket, straight, flex circuit, .050" |
| | SAF6 Socket, straight, flex circuit, .093" |
| | SAG7 Socket, straight, dip solder, .109" x .018" dia |
| | SAG9 Socket, straight, dip solder, .140" x .018" dia |
| | SAG11 Socket, straight, dip solder, .172" x .018" dia |
| | SAP Socket, straight, pin termination .150", connector saver |
| | SOR9 Socket, right angle, dip solder, .140" |

HARDWARE

| | |
|-----------------------------------------------|---------------------------------|
| SYCL Guide set, cross hole mount | J Fixed Jackset |
| SYCL-# Guide set, cross hole mount, polarized | JTA Turning jackset, .160" |
| JCL Fixed jackset, cross hole mount | JTB Hex turning jackset, .160" |
| JTB Turning jackset, no cross hole | JTL Long turning jackset, .640" |
| | SY Guide set |
| | SY-# Guide set, polarized |

OPTIONS

- Option Codes: Add to the end of the part number. Example: WRD122SAD9SY-D54. Call factory for additional codes.
 - B82 Termination face sealed against conformal coating
 - D01 Pretinned contact terminations (except solder cups, wire wraps[®] and flex contacts) with 63/37 or 60/40 solder.
 - P39 Pretinned contact terminations (except solder cups, wire wraps[®] and flex contacts) with SAC305 solder (lead free).
 - D54 Combine -B82 & -D01 special codes
- = Option not RoHS compliant

PLUG: WRDV 122 PD9 JL
 RECEPTACLE: WRD 122 SAD9 JTA
 XXXX XXX XXXX XXX

PLUG

RECEPTACLE

SERIES

| | |
|--------------------------------------------|----------------------------------------------------|
| WRDV Plug, straight, without mounting ears | WRD Receptacle, straight, without mounting ears |
| | WRD Receptacle, right angle, without mounting ears |

SIZE

| | |
|------------------------|------------------------|
| 122 Number of contacts | 122 Number of contacts |
|------------------------|------------------------|

CONTACTS

- Pin or socket contacts can be used in either plug or receptacle.
- When pin contacts are used, standard hardware orientation places the female hardware next to the #1 pin contact.
- When socket contacts are used, standard hardware orientation places the male hardware next to the #1 socket contact.

TYPE CONTACTS/TERMINATIONS:

| | |
|------|----------------------------------------------|
| PC | Pin, straight, solder cup (.035" I.D.) |
| PD7 | Pin, straight, dip solder, .109" x .027" dia |
| PD9 | Pin, straight, dip solder, .140" x .027" dia |
| PD11 | Pin, straight, dip solder, .172" x .027" dia |
| PD15 | Pin, straight, dip solder, .234" x .027" dia |

TYPE CONTACTS/TERMINATIONS:

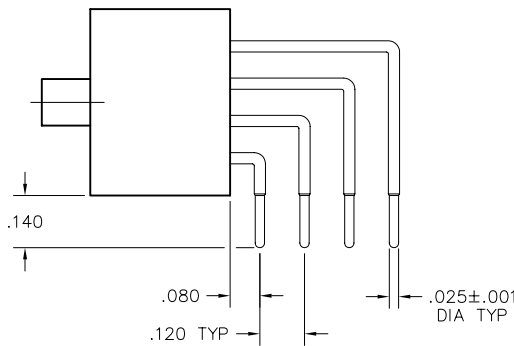
| | |
|-------|----------------------------------------------------------|
| SAC | Socket, straight, solder cup (.035" I.D.) |
| SAD7 | Socket, straight, dip solder, .109" x .027" dia |
| SAD9 | Socket, straight, dip solder, .140" x .027" dia |
| SAD11 | Socket, straight, dip solder, .172" x .027" dia |
| SAD15 | Socket, straight, dip solder, .234" x .027" dia |
| SAF3 | Socket, straight, flex circuit, .050" |
| SAF6 | Socket, straight, flex circuit, .093" |
| SAG7 | Socket, straight, dip solder, .109" x .018" dia |
| SAG9 | Socket, straight, dip solder, .140" x .018" dia |
| SAG11 | Socket, straight, dip solder, .172" x .018" dia |
| SAP | Socket, straight, pin termination .150", connector saver |
| SOR9 | Socket, right angle, dip solder, .140" x .025" dia |

HARDWARE

| | | | |
|------|-----------------------------|------|-----------------------------|
| J | Fixed jackset | J | Fixed jackset |
| JL | Fixed jackset, long | JL | Fixed jackset, long |
| JTA | Turning jackset, .160" | JTA | Turning jackset, .160" |
| JTB | Hex turning jackset, .160" | JTB | Hex turning jackset, .160" |
| JTL | Long turning jackset, .660" | JTL | Long turning jackset, .660" |
| SY | Guide set | SY | Guide set |
| SY-# | Guide set, polarized | SY-# | Guide set, polarized |

OPTIONS

- Option Codes: Add to the end of the part number. Example: WRD122SAD9SY-D01. Call factory for additional codes.
 - B82 Termination face sealed against conformal coating
 - D01 Pretinned contact terminations (except solder cups, wire wraps[®] and flex contacts) with 63/37 or 60/40 solder.
 - P39 Pretinned contact terminations (except solder cups, wire wraps[®] and flex contacts) with SAC305 solder (lead free).
 - D54 Combine -B82 & -D01 special codes
- = Option not RoHS compliant



EXAMPLE: WRD122SOR9J



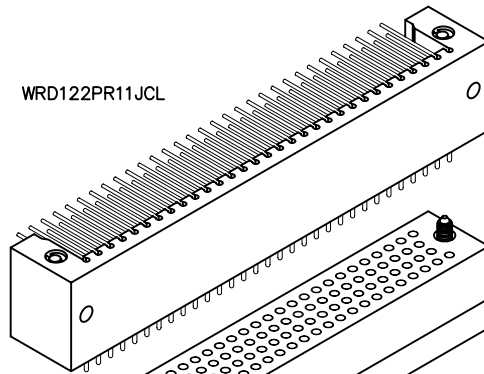
4 • ROW PC Card to Cable

.100"

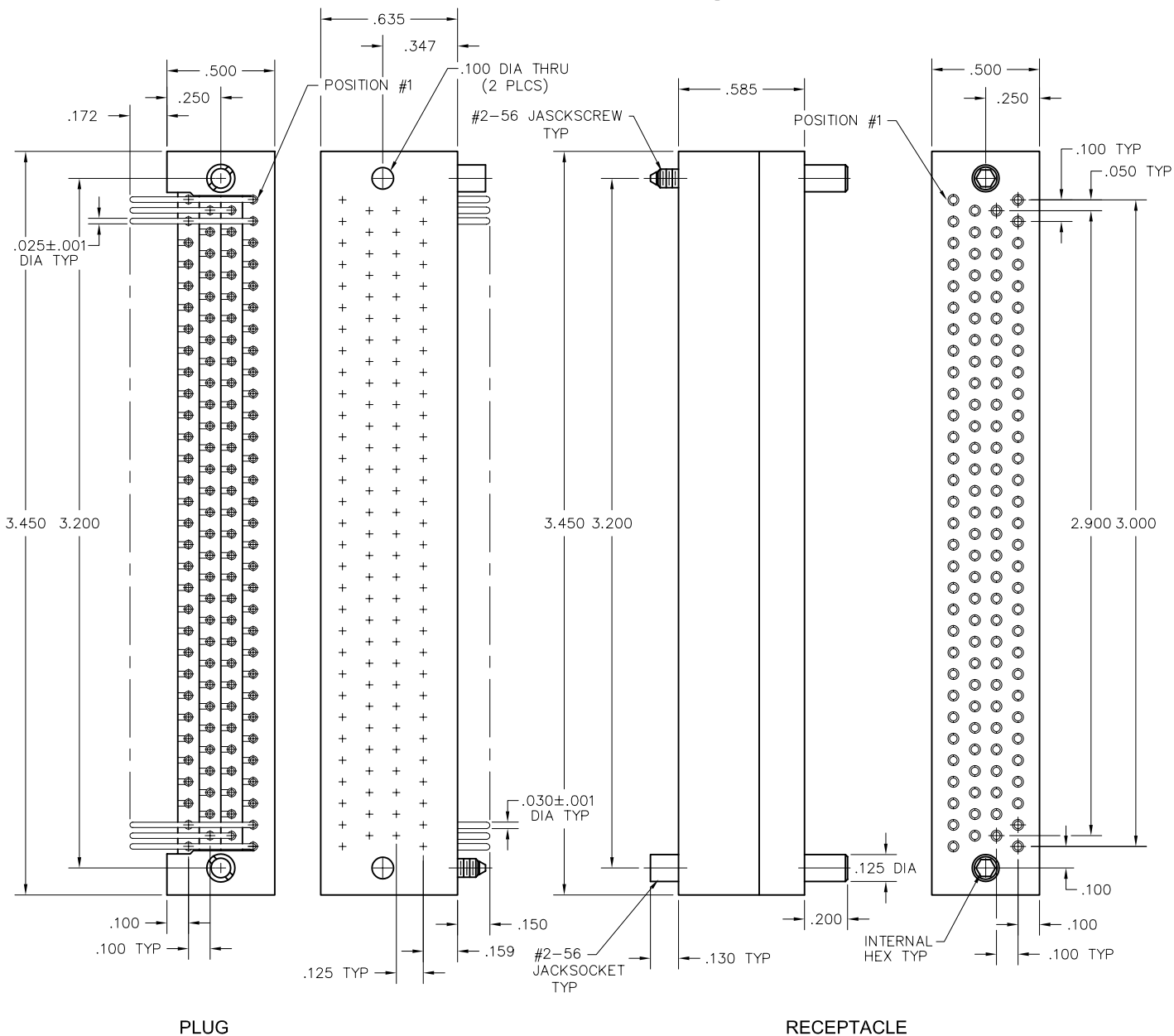
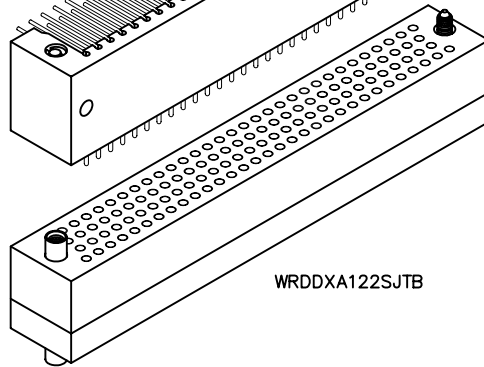
WRD - WRDDXA

122 Contacts

WRD122PR11JCL



WRDDXA122SJT8



PLUG: WRD 122 PR11 JCL
 RECEPTACLE: WRDDXA 122 S JTB
 XXXXX XX XXX XX

PLUG

RECEPTACLE

SERIES

| | |
|-------------------------------------------------------------------------------------------------------------------------------|---------------------------------------------------------------------|
| WRD Plug, right angle, without mounting ears • WRDDXA mates with WRD and WRDV connectors. "A" means contacts are included. | WRDDXA Receptacle, straight, crimp removable, without mounting ears |
|-------------------------------------------------------------------------------------------------------------------------------|---------------------------------------------------------------------|

SIZE

| | |
|------------------------|------------------------|
| 122 Number of contacts | 122 Number of contacts |
|------------------------|------------------------|

CONTACTS

- The use of gaskets is not recommended with crimp socket contacts.
- WRDDXA** includes full complement of WTK2222 (S or PA) crimp removable contacts packaged with connectors. See "Contacts" in Accessories section to order separately.
- When using crimp contacts with 20 gage barrel, barrel must be cut off prior to removing contact from connector body.

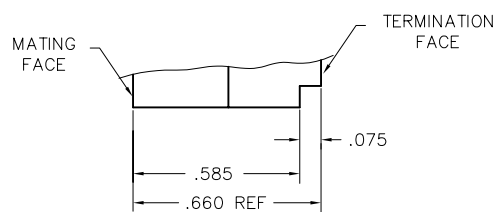
| | |
|----------------------------------------------------------------------------------------------------------------------------------------------------------------------------------------------------------|---------------------------------------------------------------------------------------------------------------------------------------------------|
| TYPE CONTACTS/TERMINATIONS: PR7 Pin, right angle, dip solder, .109" x .025" dia PR9 Pin, right angle, dip solder, .140" x .025" dia PR11 Pin, right angle, dip solder, .172" x .025" dia | TYPE CONTACTS/TERMINATIONS: S Socket, straight, crimp removable, 22 AWG SA Same as above P Pin, straight, crimp removable, 22 AWG |
|----------------------------------------------------------------------------------------------------------------------------------------------------------------------------------------------------------|---------------------------------------------------------------------------------------------------------------------------------------------------|

HARDWARE

| | |
|--------------------------------------------------------------------------------------------------------------------------|---------------------------------------------------------------------------------------------------------------------------------------------------------------------|
| JCL Fixed jackset, cross hole mount SYCL Guide set, cross hole mount SYCL-# Guide set, cross hole mount, polarized | SY Guide set SY-# Guide set, polarized SYL Guide set, long JTA Turning jackset, .200" JTB Hex turning jackset, .200" JTL Long turning jackset, .700" |
|--------------------------------------------------------------------------------------------------------------------------|---------------------------------------------------------------------------------------------------------------------------------------------------------------------|

OPTIONS

- Option Codes: Add to the end of the part number. Example: WRDDXA122SSY-C45. Call factory for additional codes.
- A53 Socket, straight, crimp removable, 20 AWG
- C45 Additional .075" material at termination face for strain relief of crimped wires (22 AWG only). See Detail A below.



DETAIL A



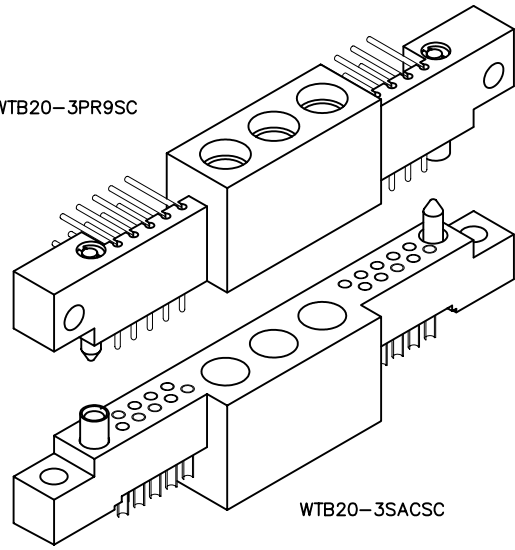
2 · ROW Coax Connectors PC Card to Board or Chassis

.100"

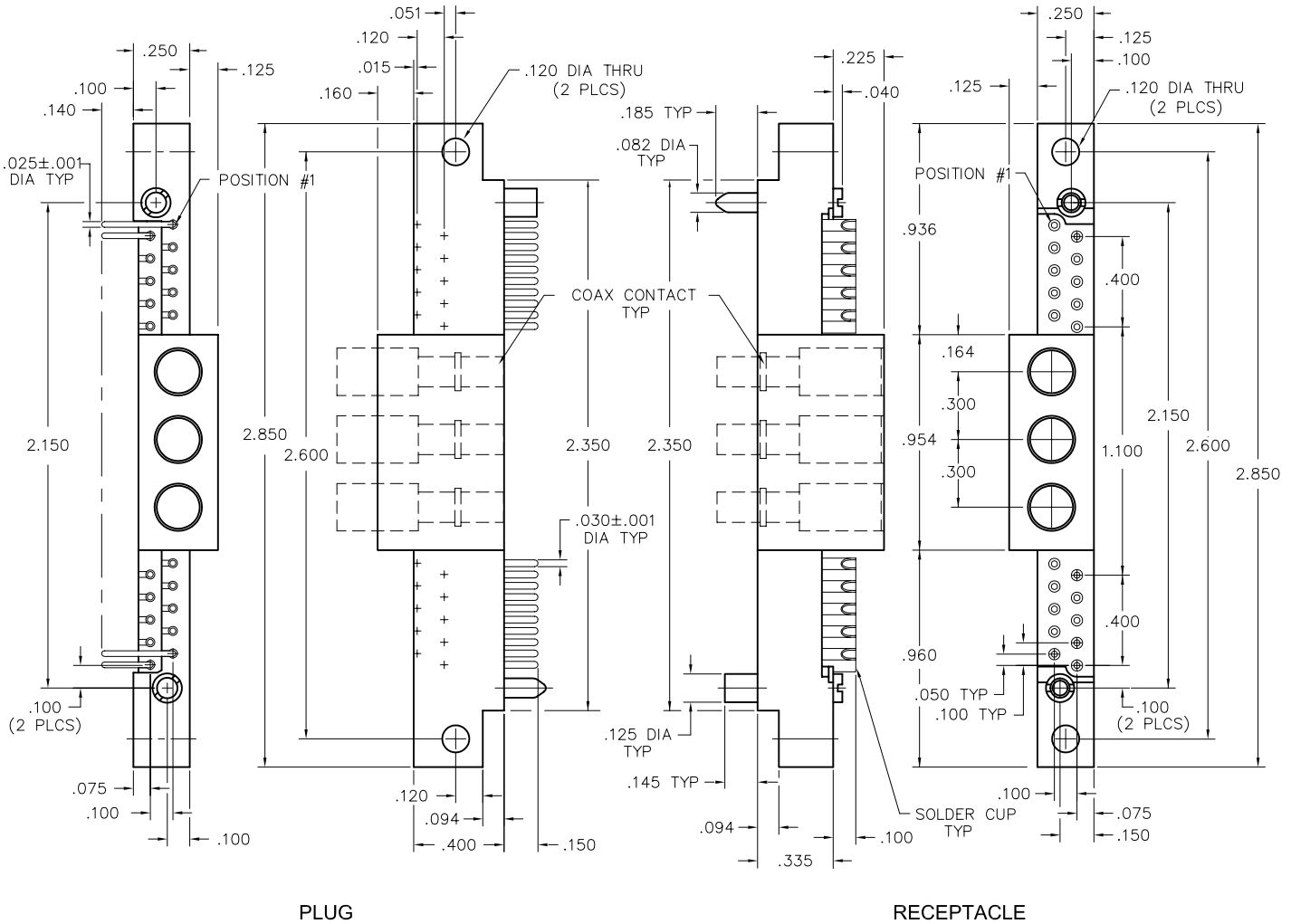
WTB - WTB

20-3 Contacts

WTB20-3PR9SC



WTB20-3SACSC



PLUG: WTB 20-3 PR9 SC
 RECEPTACLE: WTB 20-3 SAC SC
 XXX XXXX XXX XX

| PLUG | | RECEPTACLE | |
|-----------------------------|-----------------------------------------------------------------------------------|-----------------------------|--------------------------------------------------------------|
| SERIES | | | |
| WTB | Plug, right angle, with mounting ears | WTB | Receptacle, straight, with mounting ears |
| SIZE | | | |
| 20-3 | 20 right angle signal pins, plus 3 straight or right angle removable coax sockets | 20-3 | 20 straight signal pins, plus 3 straight removable coax pins |
| CONTACTS | | | |
| TYPE CONTACTS/TERMINATIONS: | | TYPE CONTACTS/TERMINATIONS: | |
| PR7 | Pin, right angle, dip solder, .109" x .025" dia | SAC | Socket, straight, solder cup (.035" I.D.) |
| PR9 | Pin, right angle, dip solder, .140" x .025" dia | SAD9 | Socket, straight, dip solder, .140" x .027" dia |
| PR11 | Pin, right angle, dip solder, .172" x .025" dia | SAD11 | Socket, straight, dip solder, .172" x .027" dia |
| | | SAD15 | Socket, straight, dip solder, .234" x .027" dia |
| | | SAG7 | Socket, straight, dip solder, .109" x .018" dia |
| | | SAG9 | Socket, straight, dip solder, .140" x .018" dia |
| | | SAG11 | Socket, straight, dip solder, .172" x .018" dia |
| HARDWARE | | | |
| SC | Guide set | SC | Guide set |
| SC-# | Guide set, polarized | SC-# | Guide set, polarized |

OPTIONS

- Molded insulator: Diallyl Phthalate per ASTM-D5948 (GDI-30F or SDG-F)
 - Removable type coax contacts sold separately. See "Coax Contacts" in Accessories section for instructions.
 - Coax Contacts:
 - WTC188P = straight pin (to be installed in receptacle insulator only)
 - WTC196P = straight pin (to be installed in receptacle insulator only)
 - WTC085P = straight pin (to be installed in receptacle insulator only)
 - WTC188S = straight socket (to be installed in plug insulator only)
 - WTC196S = straight socket (to be installed in plug insulator only)
 - WTC085S = straight socket (to be installed in plug insulator only)
 - WTC10SRD9 = right angle socket (to be installed in plug insulator only)
 - Option Codes: Add to the end of the part number. Example: WTB20-3SAD11SC-C34. Call factory for additional codes.
 - 342 Remove mounting ears. (.250" each end)
 - C34 Remove .225" standoff so connector is flush to board (receptacle only).
 - G69 Solder cups are fixed in an outward orientation, otherwise contacts can rotate.
 - D01 Pretinned contact terminations (except solder cups, wire wraps[®] and flex contacts) with 63/37 or 60/40 solder.
 - P39 Pretinned contact terminations (except solder cups, wire wraps[®] and flex contacts) with SAC305 solder (lead free).
- = Option not RoHS compliant

PLUG: WTB 20-6 PR9 SC
 RECEPTACLE: WTB 20-6 SAC SC
 XXX XXXX XXX XX

| PLUG | | RECEPTACLE | |
|-----------------------------|-----------------------------------------------------------------------------------|-----------------------------|--------------------------------------------------------------|
| SERIES | | | |
| WTB | Plug, right angle, with mounting ears | WTB | Receptacle, straight, with mounting ears |
| SIZE | | | |
| 20-6 | 20 right angle signal pins, plus 6 straight or right angle removable coax sockets | 20-6 | 20 straight signal pins, plus 6 straight removable coax pins |
| CONTACTS | | | |
| TYPE CONTACTS/TERMINATIONS: | | TYPE CONTACTS/TERMINATIONS: | |
| PR7 | Pin, right angle, dip solder, .109" x .025" dia | SAC | Socket, straight, solder cup (.035" I.D.) |
| PR9 | Pin, right angle, dip solder, .140" x .025" dia | SAD9 | Socket, straight, dip solder, .140" x .027" dia |
| PR11 | Pin, right angle, dip solder, .172" x .025" dia | SAD11 | Socket, straight, dip solder, .172" x .027" dia |
| | | SAD15 | Socket, straight, dip solder, .234" x .027" dia |
| | | SAG7 | Socket, straight, dip solder, .109" x .018" dia |
| | | SAG9 | Socket, straight, dip solder, .140" x .018" dia |
| | | SAG11 | Socket, straight, dip solder, .172" x .018" dia |
| HARDWARE | | | |
| SC | Guide set | SC | Guide set |
| SC-# | Guide set, polarized | SC-# | Guide set, polarized |

OPTIONS

- Molded insulator: Diallyl Phthalate per ASTM-D5948 (GDI-30F or SDG-F)
 - Removable type coax contacts sold separately. See "Coax Contacts" in Accessories section for instructions.
 - Coax Contacts:
 - WTC188P = straight pin (to be installed in receptacle insulator only)
 - WTC196P = straight pin (to be installed in receptacle insulator only)
 - WTC085P = straight pin (to be installed in receptacle insulator only)
 - WTC188S = straight socket (to be installed in plug insulator only)
 - WTC196S = straight socket (to be installed in plug insulator only)
 - WTC085S = straight socket (to be installed in plug insulator only)
 - WTC10SRD9 = right angle socket (to be installed in plug insulator only)
 - Option Codes: Add to the end of the part number. Example: WTB20-6SAD9SC342. Call factory for additional codes.
 - 342 Remove mounting ears. (.250" each end)
 - C34 Remove .225" standoff so connector is flush to board (receptacle only).
 - G69 Solder cups are fixed in an outward orientation, otherwise contacts can rotate.
 - D01 Pretinned contact terminations (except solder cups, wire wraps[®] and flex contacts) with 63/37 or 60/40 solder.
 - P39 Pretinned contact terminations (except solder cups, wire wraps[®] and flex contacts) with SAC305 solder (lead free).
- = Option not RoHS compliant

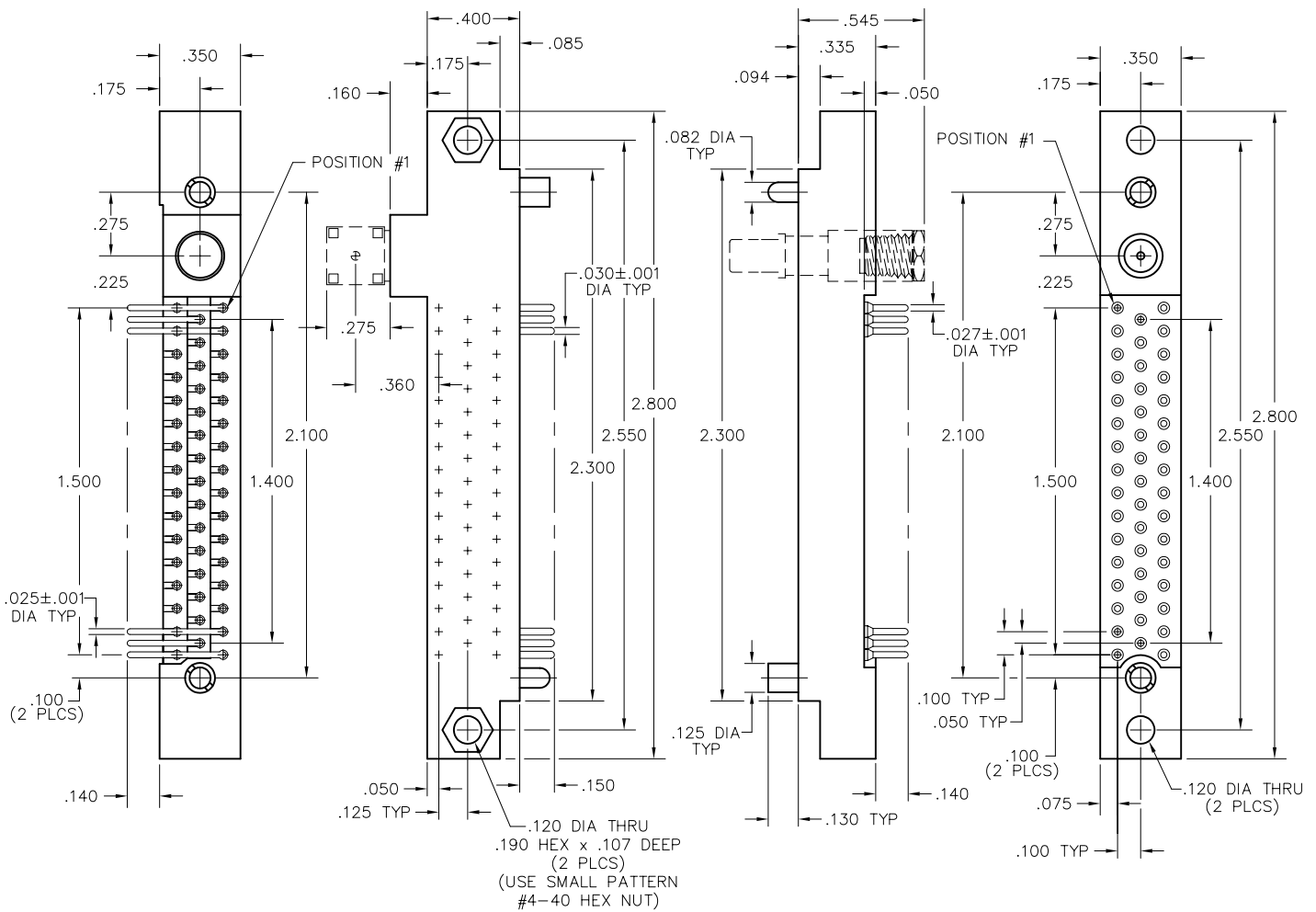
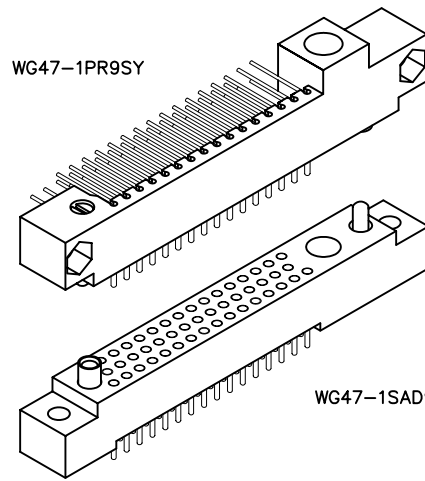


3 • ROW Coax Connectors PC Card to Chassis or Board

.100"

WG - WG

47-1 Contacts

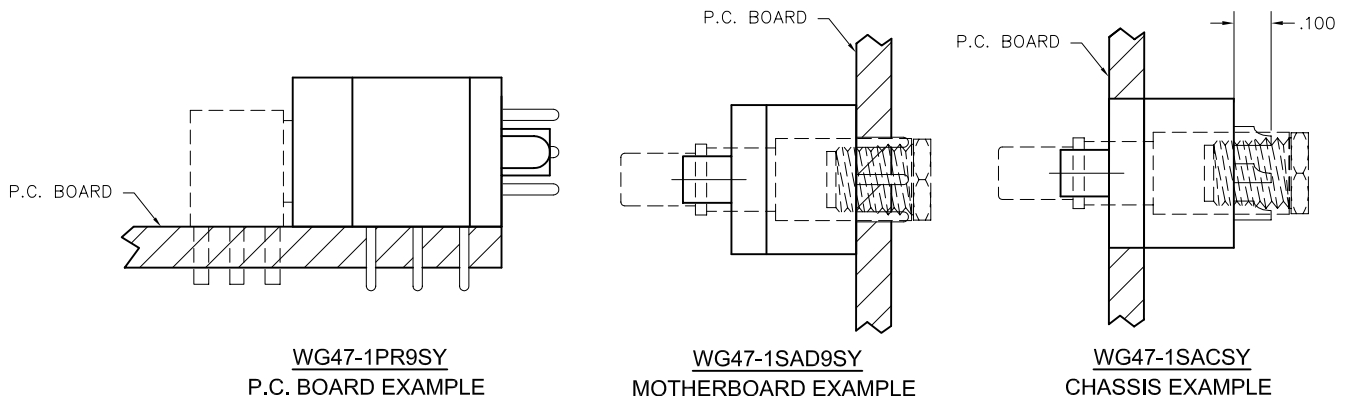


PLUG: WG 47-1 PR11 SY
 RECEPTACLE: WG 47-1 SAD9 SY
 XX 47-1 XXXX XX

| PLUG | | RECEPTACLE | |
|-----------------------------|----------------------------------------------------------------------------------|-----------------------------|-------------------------------------------------------------|
| SERIES | | | |
| WG | Plug, right angle, with mounting ears | WG | Receptacle, straight, with mounting ears |
| SIZE | | | |
| 47-1 | 47 right angle signal pins, plus 1 right angle or straight removable coax socket | 47-1 | 47 straight signal pins, plus 1 straight removable coax pin |
| CONTACTS | | | |
| TYPE CONTACTS/TERMINATIONS: | | TYPE CONTACTS/TERMINATIONS: | |
| PR7 | Pin, right angle, dip solder, .109" x .025" dia | SAC | Socket, straight, solder cup (.035" I.D.) |
| PR9 | Pin, right angle, dip solder, .140" x .025" dia | SAD9 | Socket, straight, dip solder, .140" x .027" dia |
| PR11 | Pin, right angle, dip solder, .172" x .025" dia | SAD11 | Socket, straight, dip solder, .172" x .027" dia |
| | | SAD15 | Socket, straight, dip solder, .234" x .027" dia |
| | | SAG7 | Socket, straight, dip solder, .109" x .018" dia |
| | | SAG9 | Socket, straight, dip solder, .140" x .018" dia |
| | | SAG11 | Socket, straight, dip solder, .172" x .018" dia |
| HARDWARE | | | |
| SY | Guide set | SY | Guide set |
| SY-# | Guide set, polarized | SY-# | Guide set, polarized |

OPTIONS

- Molded insulator (plug only): Diallyl Phthalate per ASTM-D5948 (GDI-30F or SDG-F)
 - Removable type coax contacts sold separately. See "Coax Contacts" in Accessories section for instructions.
 - Coax Contacts:
 - WTC188P = straight pin (to be installed in receptacle insulator only)
 - WTC196P = straight pin (to be installed in receptacle insulator only)
 - WTC085P = straight pin (to be installed in receptacle insulator only)
 - WTC188S = straight socket (to be installed in plug insulator only)
 - WTC196S = straight socket (to be installed in plug insulator only)
 - WTC085S = straight socket (to be installed in plug insulator only)
 - WTC10SRD9 = right angle socket (to be installed in plug insulator only)
 - Option Codes: Add to the end of the part number. Example: WG47-1SACSY-C34. Call factory for additional codes.
 - 342 Remove mounting ears. (.250" each end)
 - 548 Bond #4-40 small pattern nut into mounting holes (for right angle plug connectors only).
 - C34 Remove .225" standoff so connector is flush to board (receptacle only).
 - G69 Solder cups are fixed in an outward orientation, otherwise contacts can rotate.
 - D01 Pretinned contact terminations (except solder cups, wire wraps[®] and flex contacts) with 63/37 or 60/40 solder. ☒
 - P39 Pretinned contact terminations (except solder cups, wire wraps[®] and flex contacts) with SAC 305 solder (lead free).
- ☒ = Option not RoHS compliant



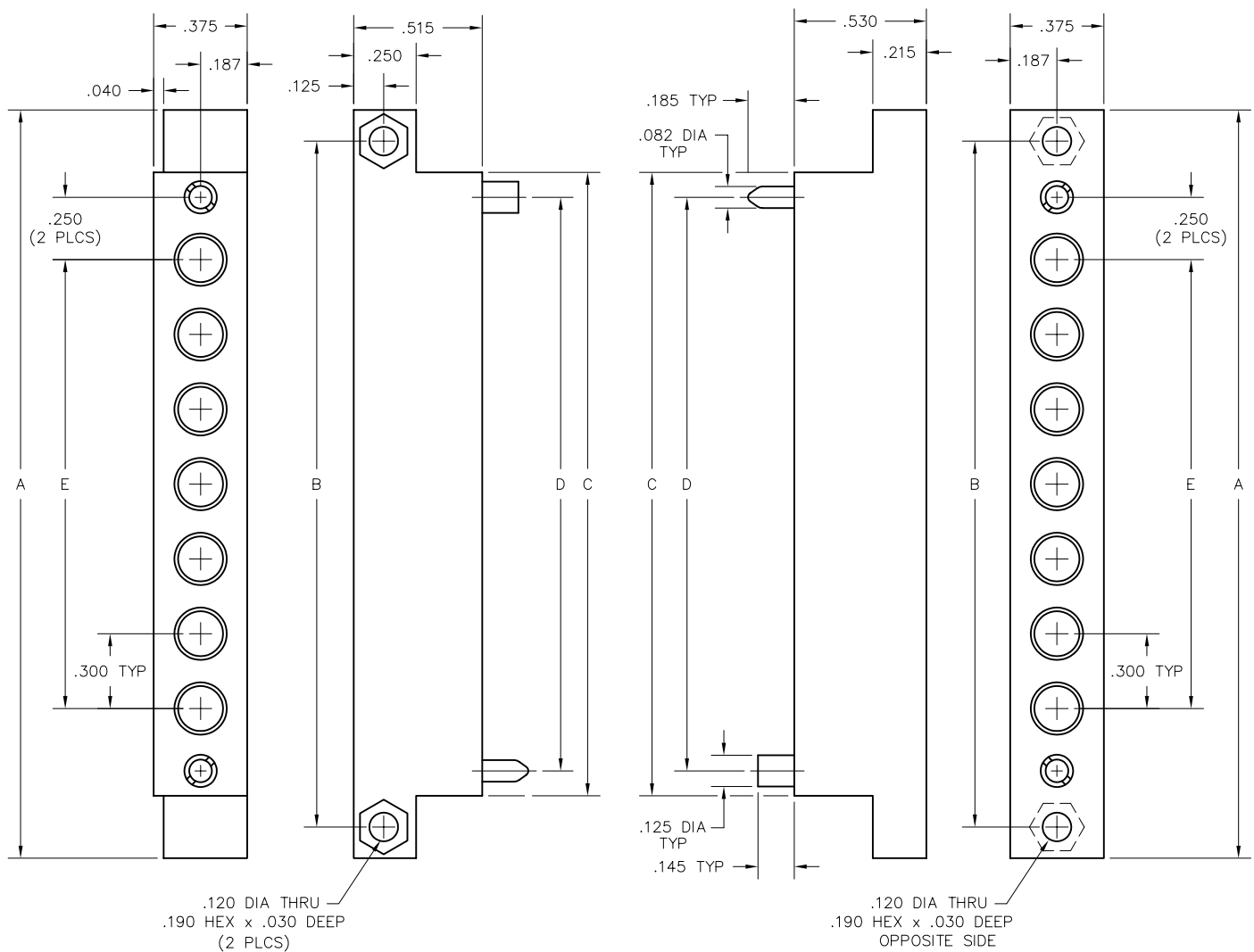
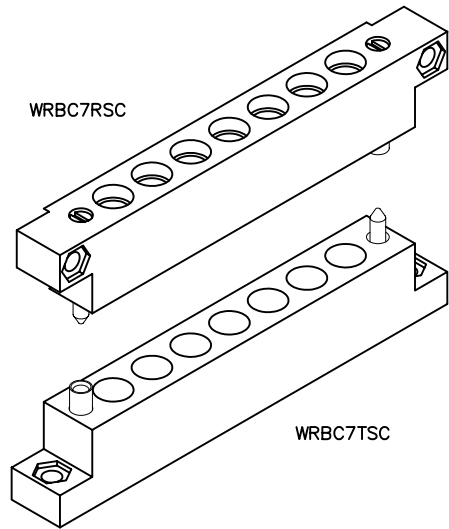


1 • ROW Coax Connectors PC Card to Chassis

.300"

WRBC - WRBC

1, 7 & 11 Contacts



PLUG

RECEPTACLE

| DIMENSIONS | | | | | |
|------------|-------|-------|-------|-------|-------|
| SIZE | A | B | C | D | E |
| 1* | .875 | .625 | .375 | — | — |
| 7 | 3.000 | 2.750 | 2.500 | 2.300 | 1.800 |
| 11 | 4.200 | 3.950 | 3.700 | 3.500 | 3.000 |

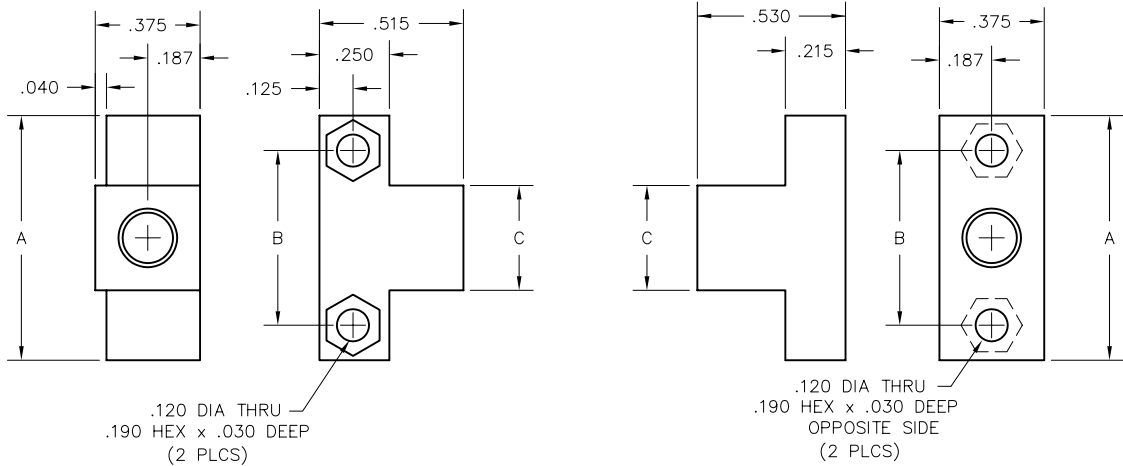
* = SEE OPPOSITE PAGE FOR 1 POSITION CONFIGURATION

| | | | | |
|-------------|------|----|---|----|
| PLUG: | WRBC | 7 | R | SC |
| RECEPTACLE: | WRBC | 7 | T | SC |
| | XXXX | XX | X | XX |

| PLUG | | RECEPTACLE | |
|-----------------|------------------------------------------------------------------------------------------|------------|------------------------------------------------------------------------|
| SERIES | | | |
| WRBC | Plug, right angle, with mounting ears | WRBC | Receptacle, straight, with mounting ears |
| SIZE | | | |
| XX | Number of coax contacts (1, 7 or 11) | XX | Number of coax contacts (1, 7 or 11) |
| CONTACTS | | | |
| R | TYPE CONTACTS/TERMINATIONS: Sockets, straight or right angle, removable coax contacts | T | TYPE CONTACTS/TERMINATIONS: Pins, straight, removable coax contacts |
| HARDWARE | | | |
| SC | Guide set | SC | Guide set |
| SC-# | Guide set, polarized | SC-# | Guide set, polarized |

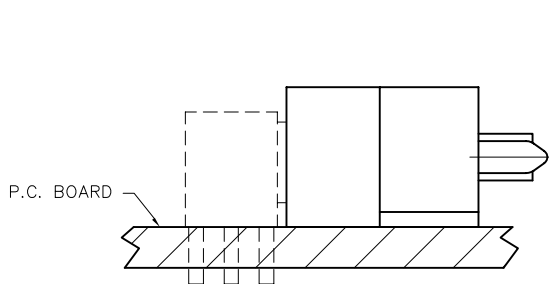
OPTIONS

- Removable type coax contacts sold separately. See "Coax Contacts" in Accessories section for instructions.
- Coax Contacts:
 - WTC188P = straight pin (to be installed in receptacle insulator only)
 - WTC196P = straight pin (to be installed in receptacle insulator only)
 - WTC085P = straight pin (to be installed in receptacle insulator only)
 - WTC188S = straight socket (to be installed in plug insulator only)
 - WTC196S = straight socket (to be installed in plug insulator only)
 - WTC085S = straight socket (to be installed in plug insulator only)
 - WTC10SRD9 = right angle socket (to be installed in plug insulator only)

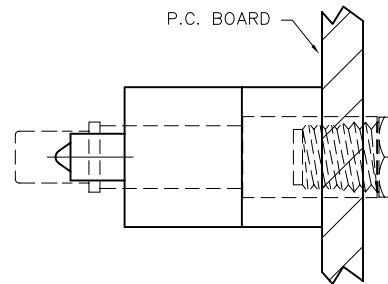


WRBC1R

WRBC1T



WRBC7RSC
P.C. BOARD EXAMPLE



WRBC7TSC
MOTHERBOARD EXAMPLE

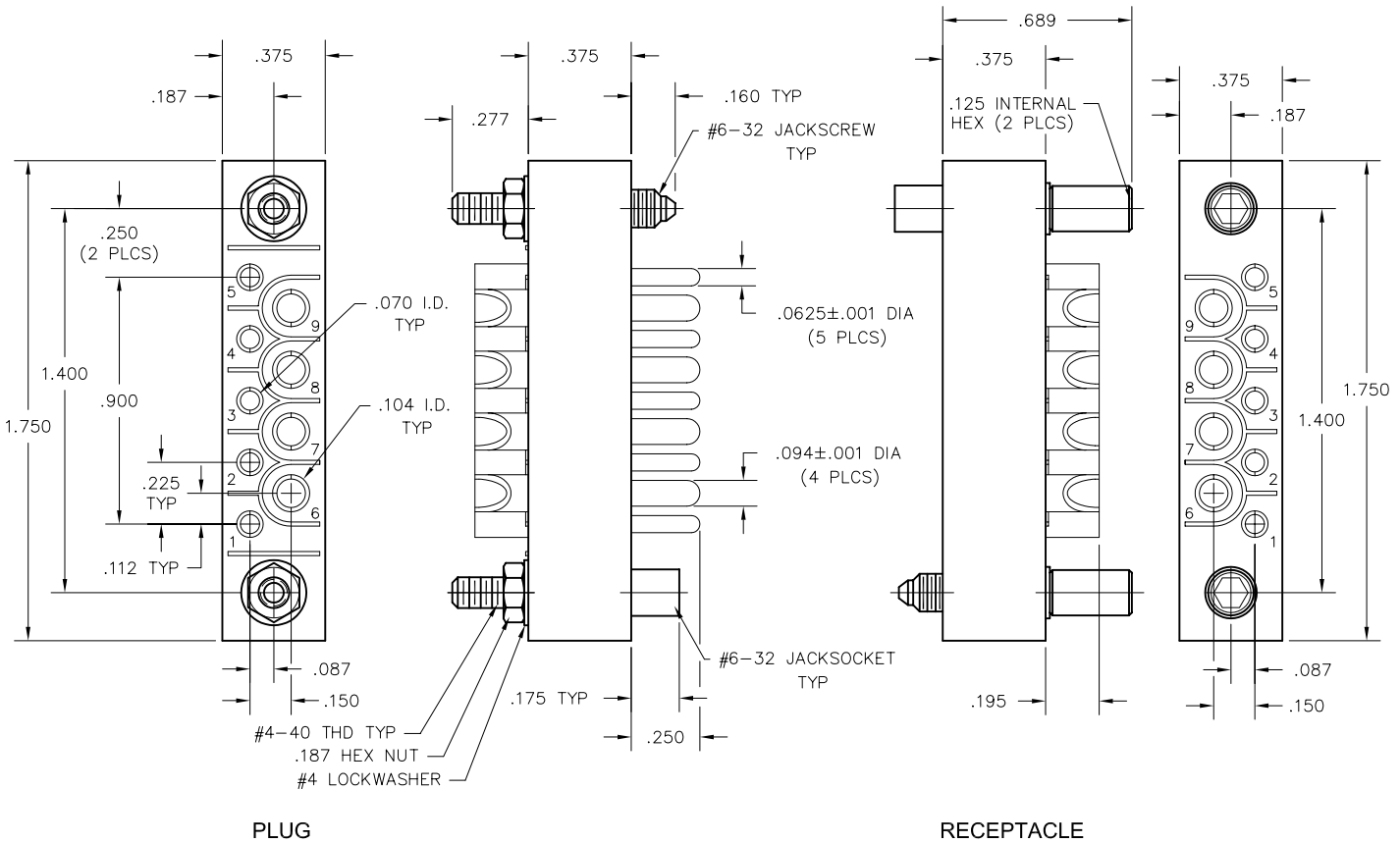
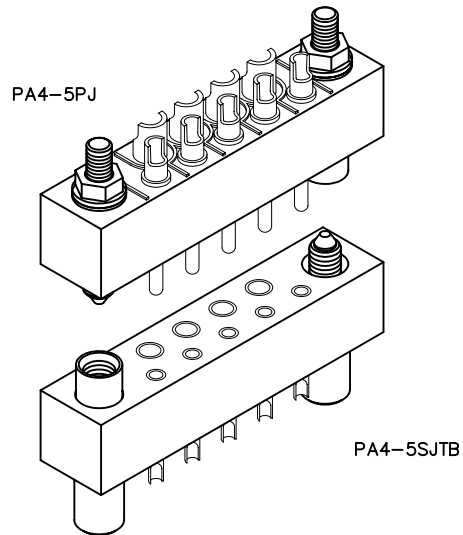
MISC. CONNECTORS

Power Cable to Chassis

.225"

PA - PA

5 & 4-5 Contacts



SEE OPPOSITE PAGE FOR 5 POSITION CONFIGURATION.
SEE PAGE W-77 & W-78 FOR 10 POSITION CONFIGURATION.

| | | | | |
|-------------|----|-----|---|-----|
| PLUG: | PA | 4-5 | S | JTB |
| RECEPTACLE: | PA | 4-5 | P | J |
| | XX | XXX | X | XXX |

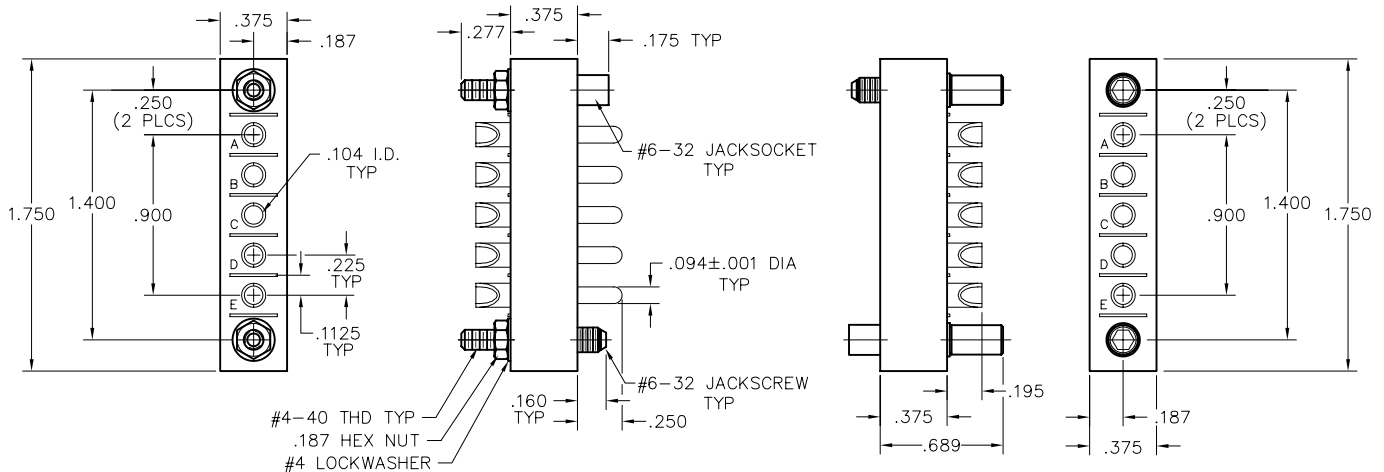
| PLUG | | RECEPTACLE | |
|-----------------------------|----------------------------------------------|-----------------------------|-------------------------------------------------|
| SERIES | | | |
| PA | Power connectors | PA | Power connectors |
| SIZE | | | |
| 5 | 5 #12 contacts | 5 | 5 #12 contacts |
| 4-5 | 4 #12 contacts & 5 #16 contacts | 4-5 | 4 #12 contacts & 5 #16 contacts |
| CONTACTS | | | |
| TYPE CONTACTS/TERMINATIONS: | | TYPE CONTACTS/TERMINATIONS: | |
| P | Pin, straight, solder cup | S | Socket, straight, solder cup |
| PD11 | Pin, straight, dip solder, .172" x .062" dia | SD11 | Socket, straight, dip solder, .172" x .062" dia |
| HARDWARE | | | |
| SY | Guide set | SY | Guide set |
| J | Fixed jackset | J | Fixed jackset |
| JT | Turning jackset, 1.054" | JT | Turning jackset, 1.054" |
| JTB | Hex turning jackset, .314" | JTB | Hex turning jackset, .314" |
| JTL | Long turning jackset, 1.175" | JTL | Long turning jackset, 1.175" |

OPTIONS

- Hood (PA5H) for use with PA5 and PA4-5 connectors. Specify JTL hardware when using hood.
 - For hood strain relief, add "H" to "JTL" hardware. Example: PA5SJTLH.
 - Option Codes: Add to the end of the part number. Example: PA5PD11SY-P39. Call factory for additional codes.
- D01 Pretinned contact terminations (except solder cups, wire wraps[®] and flex contacts) with 63/37 or 60/40 solder.
- P39 Pretinned contact terminations (except solder cups, wire wraps[®] and flex contacts) with SAC305 solder (lead free).
- = Option not RoHS compliant

NOTES:

Molded bodies: Diallyl phthalate per ASTM-D5948 (GDI-30F or SDG-F)
 Contact rating: #12 contacts = 23 amps
 #16 contacts = 13 amps
 Contact material: Socket - Beryllium copper, gold plated
 Pin - Brass gold plated
 Contact plating: Nominal Au plating thickness is 20 microinches on mating surfaces
 Test voltage: 2000 VRMS @ sea level; 460 VRMS @ 70,000 feet
 Contact resistance: #12 contacts=.023 volt maximum drop @ 23 amps (.001 ohms)
 #16 contacts=.023 volt maximum drop @ 13 amps (.002 ohms)
 Engagement force: 24 ounces maximum average per contact



PLUG
EXAMPLE: PA5PJ

RECEPTACLE
EXAMPLE: PA5SJTB

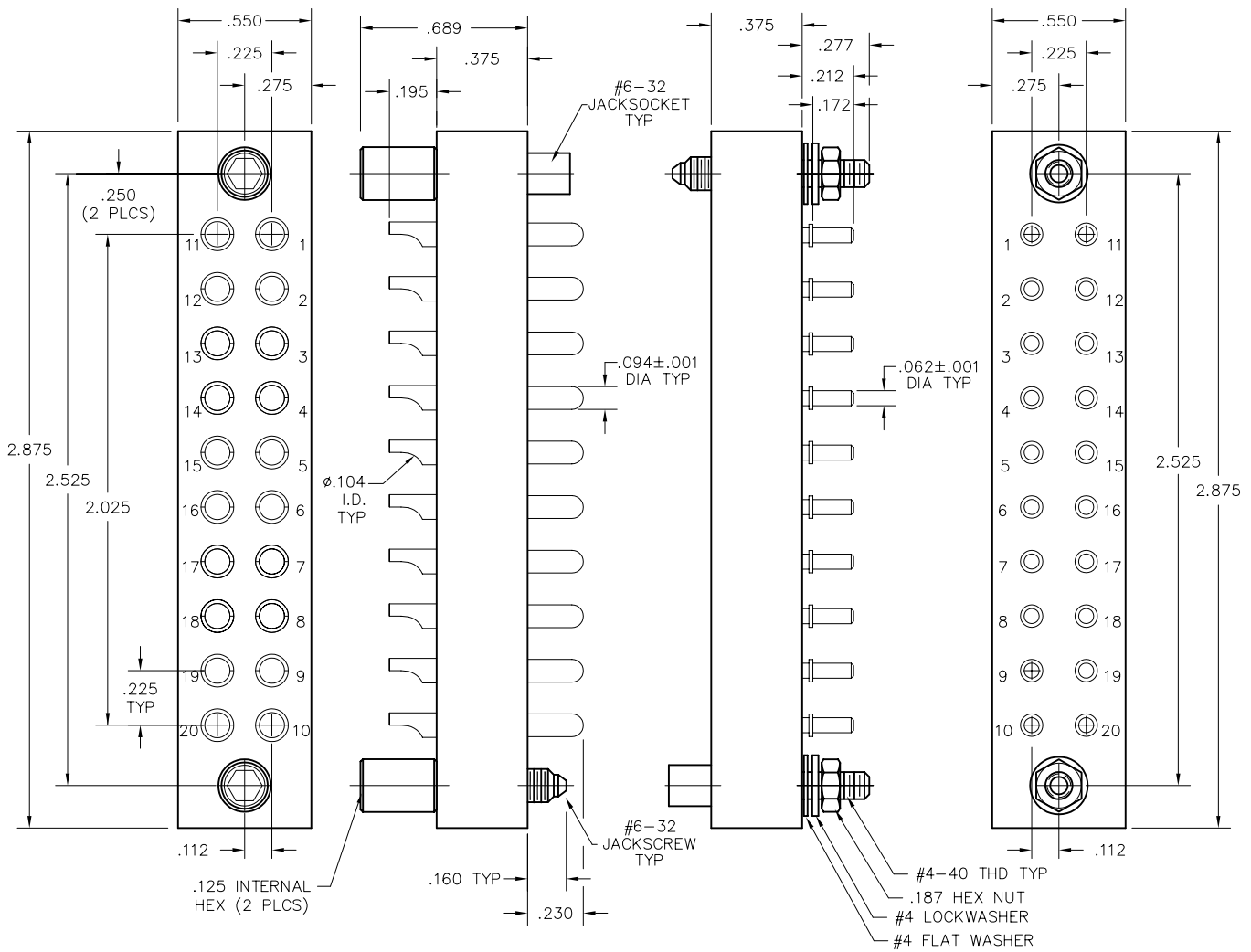
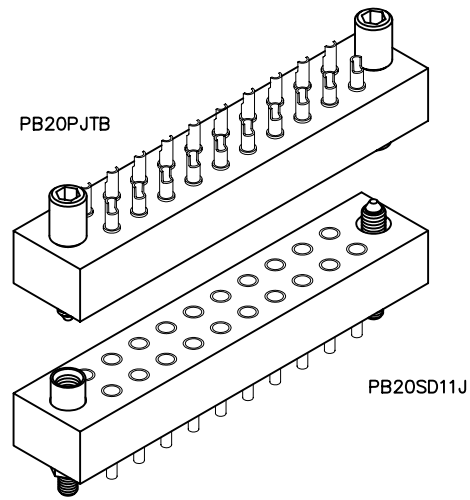


MISC. CONNECTORS Power Cable to Chassis

.225"

PB - PB

20 Contacts



SEE OPPOSITE PAGE FOR 20 POSITION RIGHT ANGLE PLUG CONFIGURATION.

| | | | | |
|-------------|----|----|---|-----|
| PLUG: | PB | 20 | S | JTB |
| RECEPTACLE: | PB | 20 | P | J |
| | XX | XX | X | XXX |

PLUG

RECEPTACLE

SERIES

| | | | | |
|----|------------------|--|----|------------------|
| PB | Power connectors | | PB | Power connectors |
|----|------------------|--|----|------------------|

SIZE

| | | | | |
|----|-----------------|--|----|-----------------|
| 20 | 20 #12 contacts | | 20 | 20 #12 contacts |
|----|-----------------|--|----|-----------------|

CONTACTS

TYPE CONTACTS/TERMINATIONS:

P Pin, straight, solder cup
 PD11 Pin, straight, dip solder, .172" x .062" dia
 PR7 Pin, right angle, dip solder, .109" x .082" dia
 PR8 Pin, right angle, dip solder, .125" x .082" dia

TYPE CONTACTS/TERMINATIONS:

S Socket, straight, solder cup
 SD11 Socket, straight, dip solder, .172" x .062"

HARDWARE

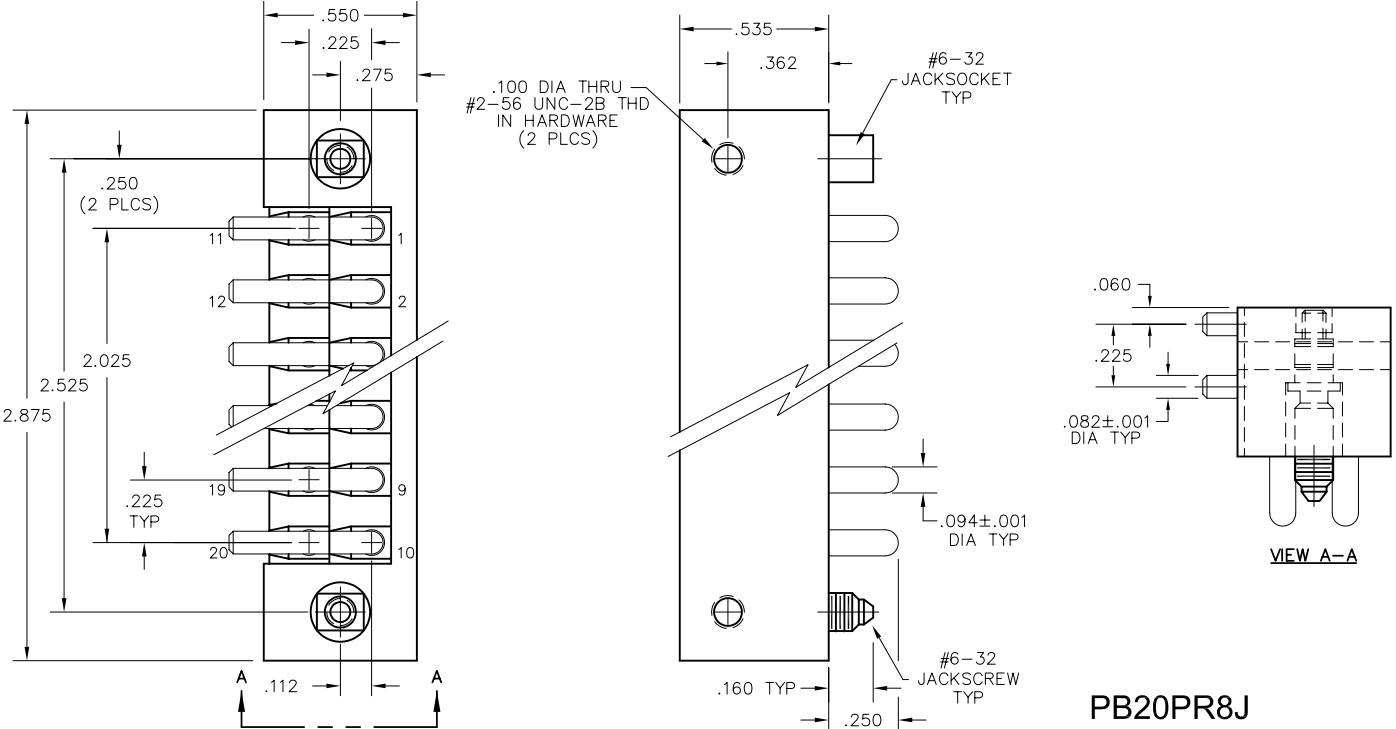
SY Guide set
 J Fixed jackset
 JT Turning jackset, 1.054" (straight plug only)
 JTB Hex turning jackset, .314" (straight plug only)
 JTL Long turning jackset, 1.175"

SY Guide set
 J Fixed jackset
 JT Turning jackset, 1.054"
 JTB Hex turning jackset, .314"
 JTL Long turning jackset, 1.175"

OPTIONS

- Option Codes: Add to the end of the part number. Example: PA5PD11SY-P39. Call factory for additional codes.
 - D01 Pretinned contact terminations (except solder cups, wire wraps[®] and flex contacts) with 63/37 or 60/40 solder. ☒
 - P39 Pretinned contact terminations (except solder cups, wire wraps[®] and flex contacts) with SAC305 solder (lead free).
- ☒ = Option not RoHS compliant

NOTES:
 Molded bodies: Polyphenylene sulfide
 Contact rating: #12 contacts = 23 amps
 Contact material: Socket - Beryllium copper, gold plated
 Pin - Brass gold plated
 Contact plating: Nominal Au plating thickness is 20 microinches on mating surfaces
 Test voltage: 2000 VRMS @ sea level; 460 VRMS @ 70,000 feet
 Contact resistance: .023 volt maximum drop @ 23 amps (.001 ohm)
 Engagement force: 24 ounces maximum average per contact



PB20PR8J

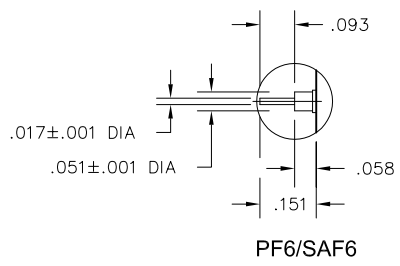
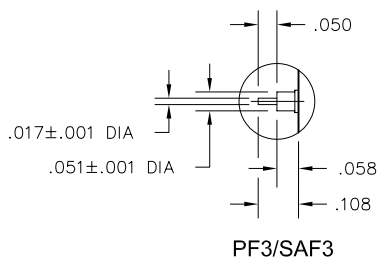
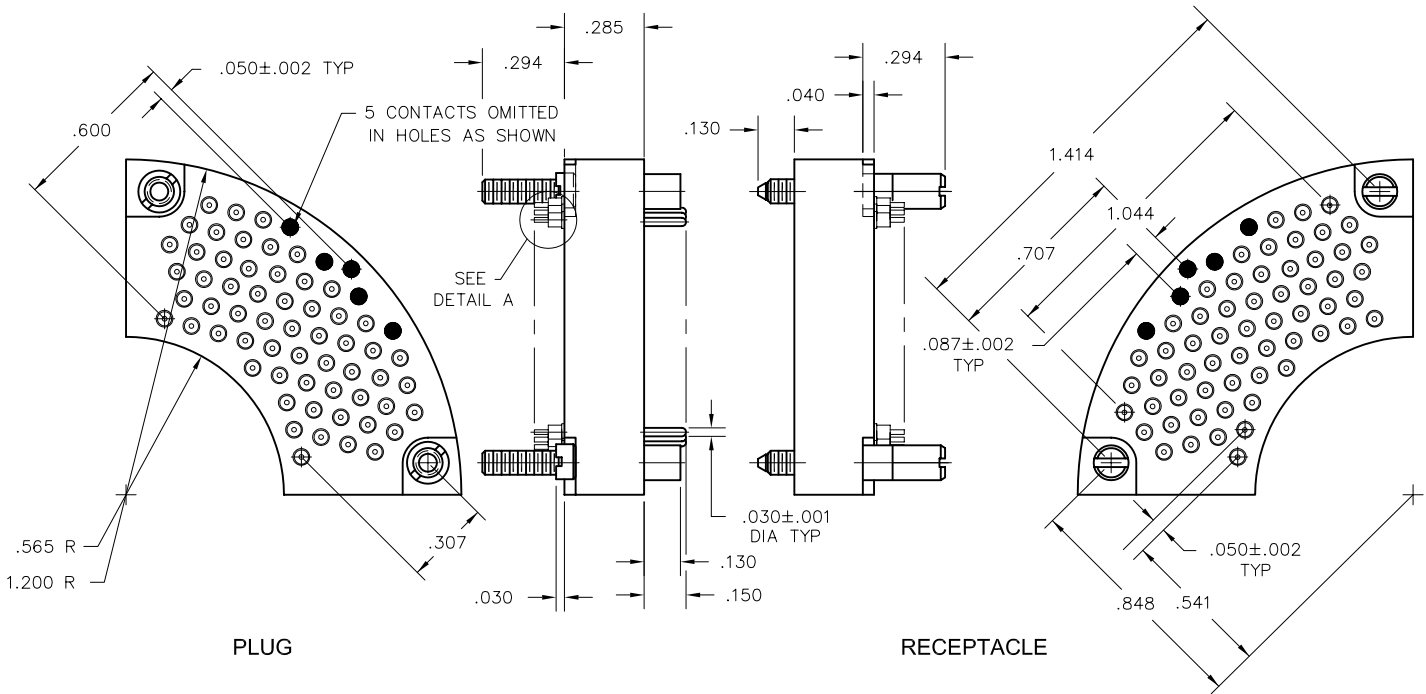
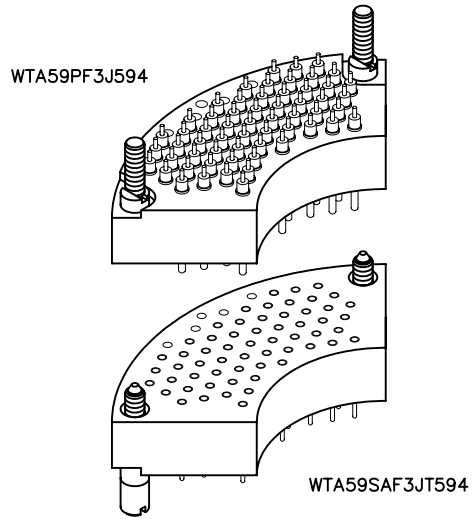


MISC CONNECTORS Quarter Round Sandwich Boards

.087" x .050"

WTA - WTA

59 Contacts



DETAIL A

PLUG: WTA 59 PF3 J594
 RECEPTACLE: WTA 59 SAF3 JT594
 XXX XX XXXX XXXXX

PLUG

RECEPTACLE

| SERIES | |
|--------------------|--------------------------|
| WTA Plug, straight | WTA Receptacle, straight |

| SIZE | |
|-----------------------|-----------------------|
| 59 Number of contacts | 59 Number of contacts |

| CONTACTS | |
|--------------------------------------------------------------------------------------------------------------------------------------------------------------|--------------------------------------------------------------------------------------------------------------------------------------------------------------------------|
| TYPE CONTACTS/TERMINATIONS: PC Pin, straight, solder cup (.035" I.D.) PF3 Pin, straight, flex circuit, .050" PF6 Pin, straight, flex circuit, .093" | TYPE CONTACTS/TERMINATIONS: SAC Socket, straight, solder cup (.035" I.D.) SAF3 Socket, straight, flex circuit, .050" SAF6 Socket, straight, flex circuit, .093" |

| HARDWARE | |
|------------------------|-------------------------------------------------------------------------------------------|
| J594 Fixed jacksockets | JT594 Turning jackscrews, slot head JTB594 Turning jackscrews, 5/64" internal hex head |

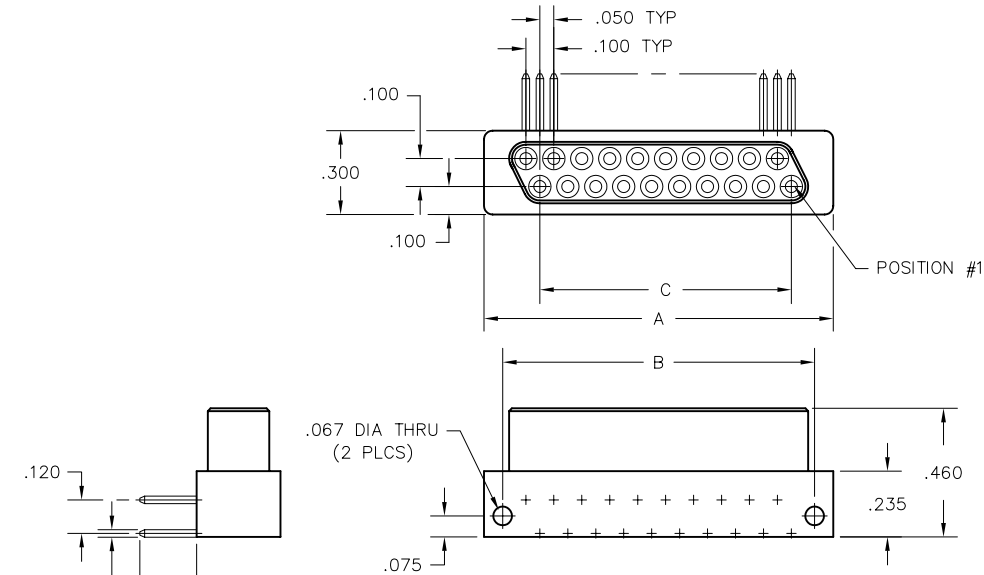
OPTIONS

- The connector is loaded with 59 contacts in a 64 position quarter round insulator (-594).
- Insulator: glass filled nylon per ASTM-D4066.
- Not recommended for use with lead free solder process.
- To order connector without hardware, leave hardware designator out of part number. Example: WTA59SAF3-594.

PLUG: WTE 20 PR7
 RECEPTACLE: WTE 20 SAD23
 XXX XX XXXXX

| PLUG | | RECEPTACLE | |
|-----------------|---------------------------------------------|------------|---------------------------------------------------|
| SERIES | | | |
| WTE | Plug, right angle (male pins, female shell) | WTE | Receptacle, straight (female pins, male shell) |
| | | WTE | Receptacle, right angle (female pins, male shell) |
| SIZE | | | |
| XX | Number of contacts (10 or 20) | XX | Number of contacts (10 or 20) |
| CONTACTS | | | |
| | TYPE CONTACTS/TERMINATIONS: | | TYPE CONTACTS/TERMINATIONS: |
| PR5 | Pin, right angle, dip solder, .081" | SAD9 | Socket, straight, dip solder, .140" |
| PR7 | Pin, right angle, dip solder, .109" | SAD23 | Socket, straight, dip solder, .360" |
| | | SAR13 | Socket, right angle, dip solder, .203" |
| OPTIONS | | | |

- Cannot pre-tin these connectors.
- Insulator: glass filled nylon per ASTM-D4066.
- Not recommended for use with lead free solder process.



RECEPTACLE
 EXAMPLE: WTE20SAR13

| DIMENSIONS | | | |
|------------|-------|-------|------|
| SIZE | A | B | C |
| 10 | .750 | .616 | .400 |
| 20 | 1.250 | 1.116 | .900 |

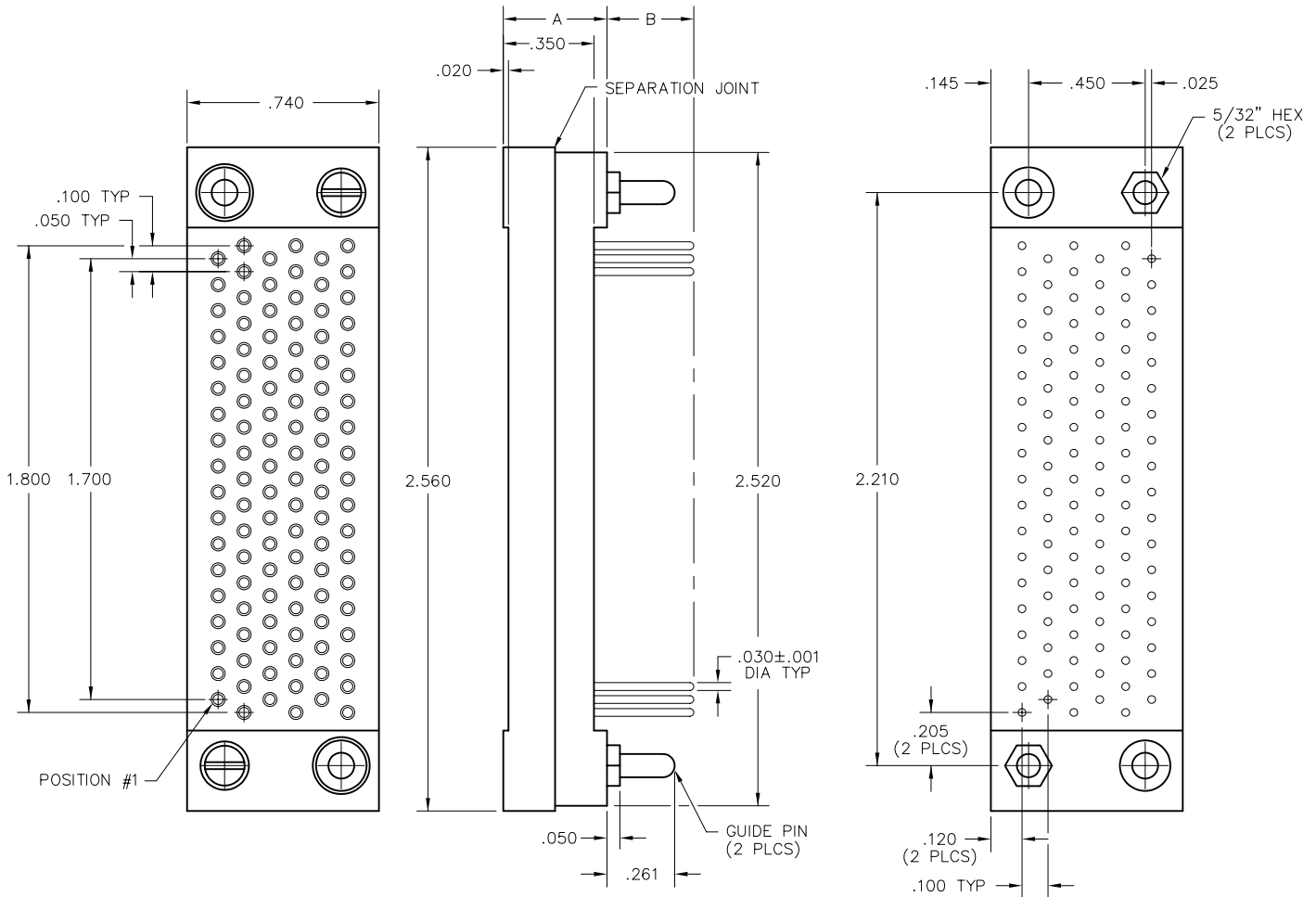
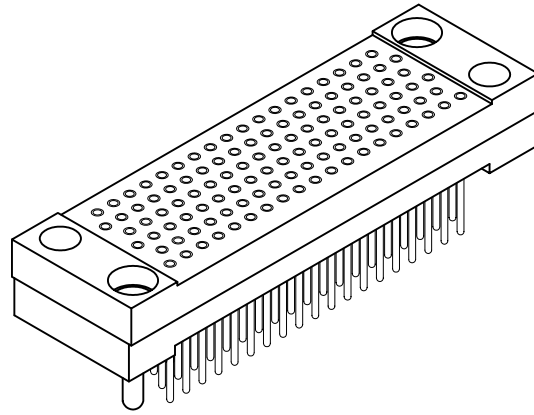


MISC CONNECTORS Stackable Board to Board

.100"

WE

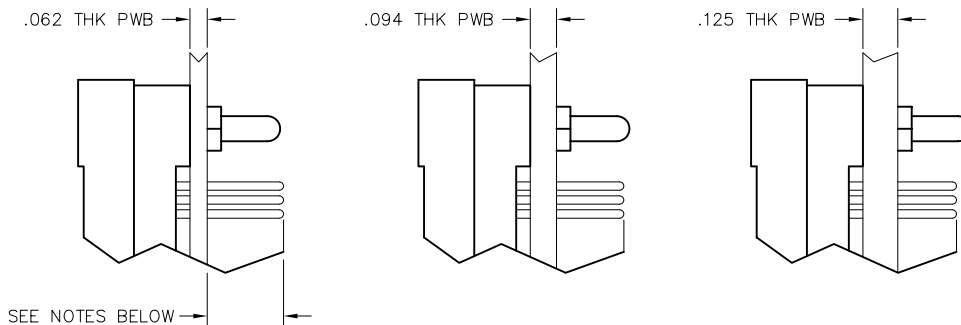
111 Contacts



| DIMENSIONS | | | |
|------------|------|----------|--------------|
| STYLE | A | B ± .015 | TYPE |
| WEA | .400 | .335 | STACKABLE |
| WEB | .450 | .130 | MOTHER BOARD |
| WEB | .450 | .335 | STACKABLE |
| WEC | .495 | .335 | STACKABLE |

WEA 111 111A SP21 GB
 XXX XXX XXXX XXXX XX

| SERIES | |
|-----------------------------|----------------------------------------------|
| WEA | Molding height .400" |
| WEB | Molding height .450" |
| WEC | Molding height .495" |
| SIZE | |
| 111 | Number of positions |
| LOADING | |
| 111A | Fully loaded |
| CONTACTS | |
| TYPE CONTACTS/TERMINATIONS: | |
| SP21 | Socket, stackable, .335" termination length |
| SP9 | Socket, dip solder, .130" termination length |
| HARDWARE | |
| GA | Guide set, motherboard |
| GB | Guide set, stackable |



Notes:

Dimensions "A" & "B" represent current configurations. Board thickness information is for reference only. Contacts are individually replaced by removing the guide pins and screws. Molding halves will separate at the designated joint.

For Stackable Applications:

Minimum contact termination length to be .190" beyond PWB for minimum recommended mating in this series. Maximum contact termination length to be .250" beyond PWB.

For Mother Board Applications:

Termination lengths typically extend .047" beyond PWB (example: a .062" board would typically require a .109" termination length, dimension "B").



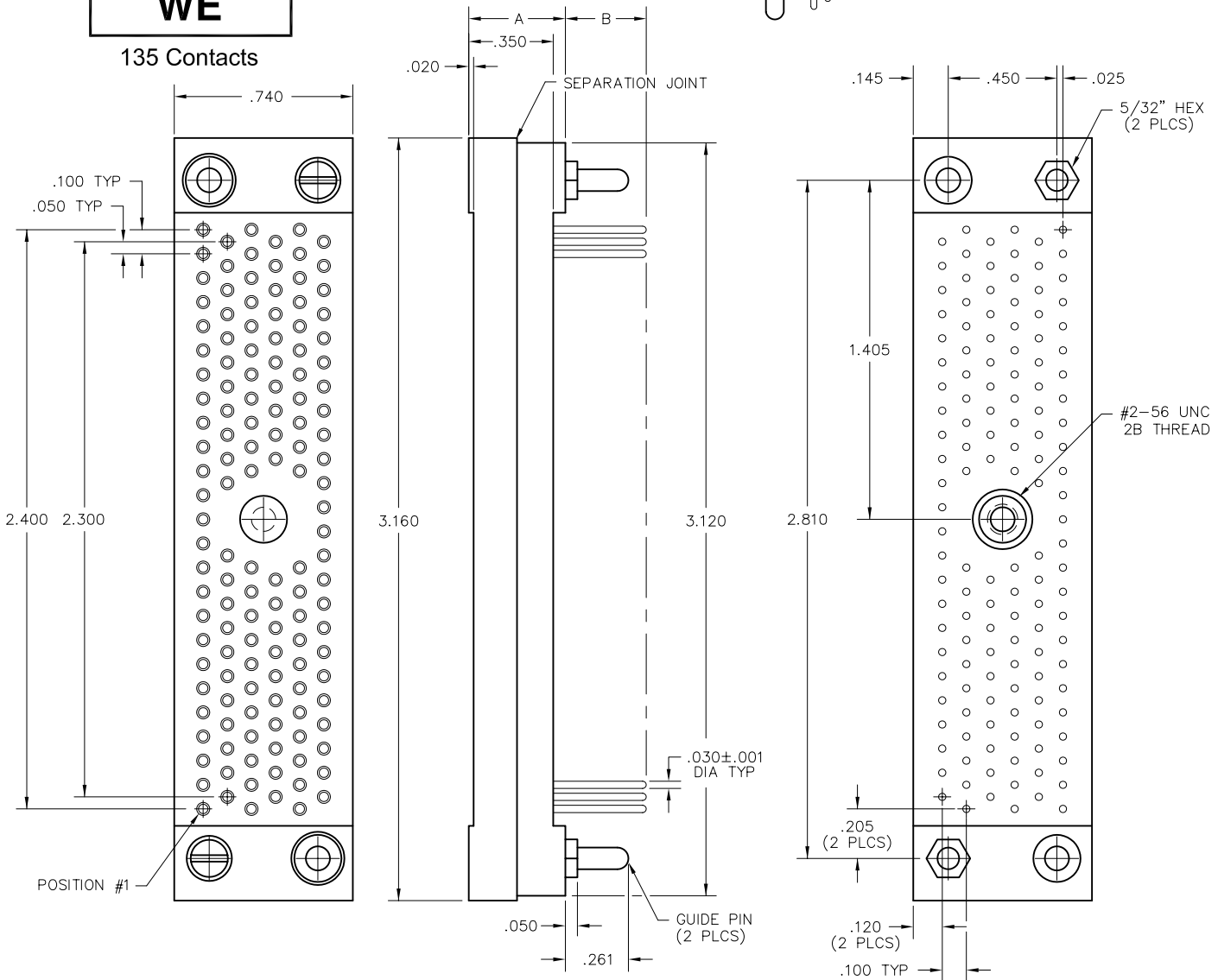
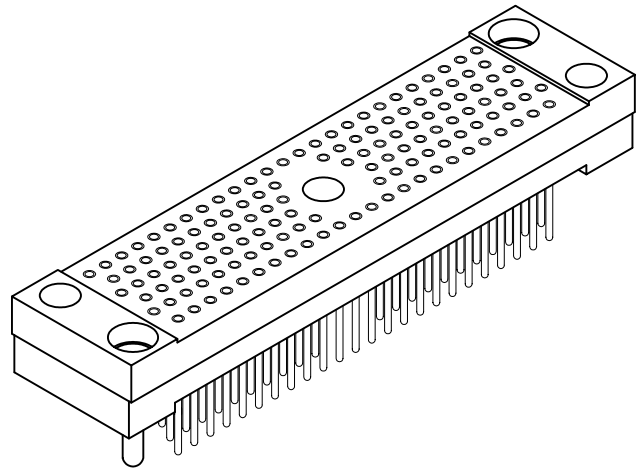
MISC CONNECTORS

Stackable Board to Board

.100"

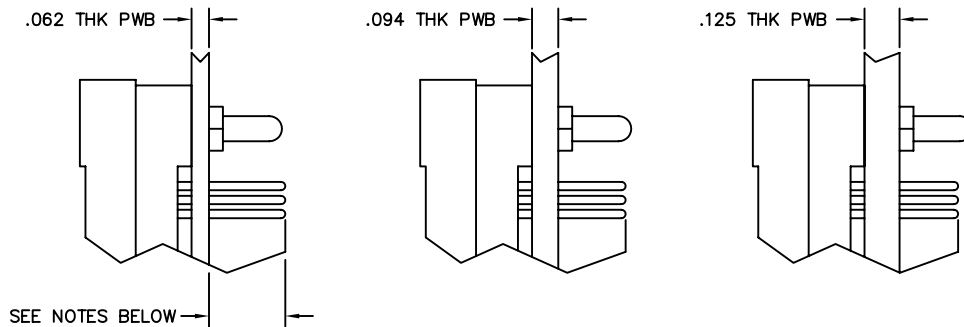
WE

135 Contacts



| DIMENSIONS | | | |
|------------|------|--------------|--------------|
| STYLE | A | B \pm .015 | TYPE |
| WEA | .465 | .335 | STACKABLE |
| WEA | .465 | .130 | MOTHER BOARD |
| WEB | .500 | .335 | STACKABLE |
| WEB | .500 | .130 | MOTHER BOARD |
| WEC | .740 | .335 | STACKABLE |
| WEC | .740 | .130 | MOTHER BOARD |

| | | | | | |
|-----------------------------|----------------------------------------------|--|--|--|--|
| SERIES | | | | | |
| WEA | Molding height .465" | | | | |
| WEB | Molding height .500" | | | | |
| WEC | Molding height .740" | | | | |
| SIZE | | | | | |
| 135 | Number of positions | | | | |
| LOADING | | | | | |
| 135A | Fully loaded | | | | |
| CONTACTS | | | | | |
| TYPE CONTACTS/TERMINATIONS: | | | | | |
| SP21 | Socket, stackable, .335" termination length | | | | |
| SP9 | Socket, dip solder, .130" termination length | | | | |
| HARDWARE | | | | | |
| GA | Guide set, motherboard | | | | |
| GB | Guide set, stackable | | | | |



Notes:

Dimensions "A" & "B" represent current configurations. Board thickness information is for reference only. Contacts are individually replaced by removing the guide pins and screws. Molding halves will separate at the designated joint.

For Stackable Applications:

Minimum contact termination length to be .190" beyond PWB for minimum recommended mating in this series. Maximum contact termination length to be .250" beyond PWB.

For Mother Board Applications:

Termination lengths typically extend .047" beyond PWB (example: a .062" board would typically require a .109" termination length, dimension "B").

"W" SERIES ACCESSORIES

Contents

"W" Series

Hardware, Contacts and Accessories

Accessories

| | |
|------|---------------------------------------------------|
| WA-2 | Floating Mounts |
| WA-4 | Face Seal Gaskets for WTA-WTB Series |
| WA-5 | Face Seal Gaskets for WG-WGA-WGE Series |
| WA-6 | Hoods for WTA, WTAX Series |
| WA-7 | Hoods for WTD, WTDX Series |
| WA-8 | Adapter Sleeve, Coax Removal Tool, Extension Nuts |
| WA-9 | Nut Spanner Wrench, Crimp & Removal Tools |

Contacts

| | |
|-------|-----------------------------------------|
| WA-10 | #22 Pin Contacts, #22 Socket Contacts |
| WA-11 | Crimp Removable Contacts, Coax Contacts |

Hardware

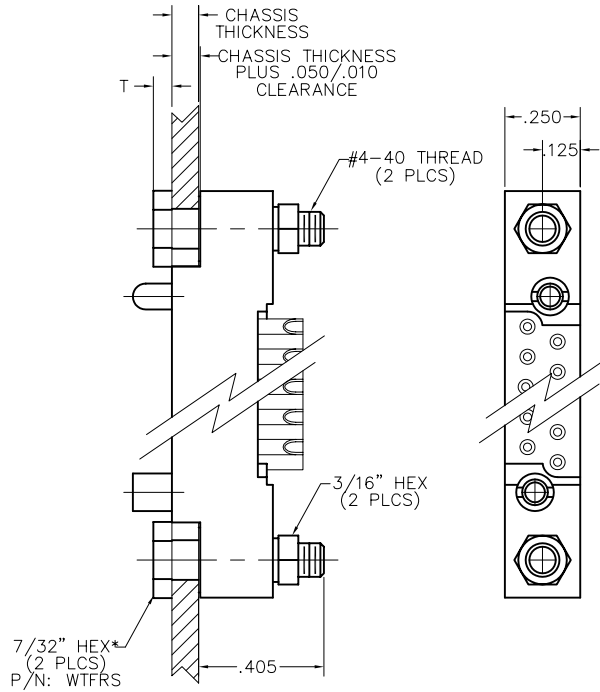
| | |
|-------|--------------------------------------|
| WA-12 | Fixed Jacksets, Turning Jacksets |
| WA-14 | Guide Sets |
| WA-15 | Hardware Availability Chart |
| WA-17 | Polarization - "D" Shaped Guide Sets |
| WA-18 | Polarizing Pin Application |

Military Cross Reference

| | |
|-------|--------------------------------|
| WA-19 | Military Cross Reference Chart |
|-------|--------------------------------|

Accessories

Floating Mounts for WTB-WTK Receptacles



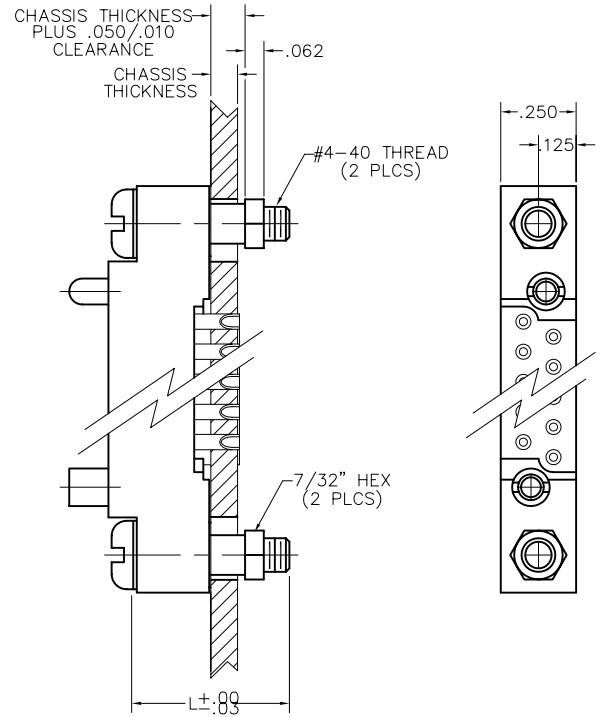
FLOATING MOUNT
REAR

| DIMENSIONS | | | |
|-------------------|-------------------------|---------------------------|------|
| CHASSIS THICKNESS | MOUNTING SCREW HEX HEAD | MOUNTING SCREW ROUND HEAD | T |
| .062 | WTFRS062 | WTFRAS062 | .062 |
| .093 | WTFRS093 | WTFRAS093 | .062 |
| .125 | WTFRS125 | WTFRAS125 | .050 |

CONNECTOR SIZES 10-70 REQUIRE 2 WTFRS SCREW ASSEMBLIES.

CONNECTOR SIZES OVER 70 REQUIRE 2 WTFRS ASSEMBLIES AND ONE WTFRA SCREW ASSEMBLY.

* - 7/32 DIA ROUND HEAD - WTFRAS
CENTER POSITION ON SIZES OVER 70

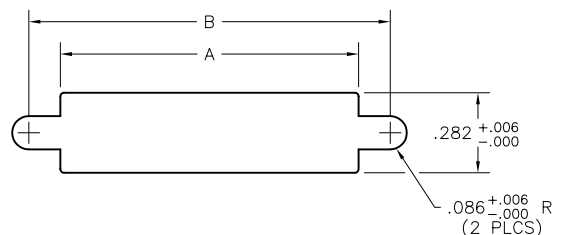


FLOATING MOUNT
FRONT

| DIMENSIONS | | | |
|-------------------|----------|---------------------------|-----|
| CHASSIS THICKNESS | BUSHING | QTY. REQ. FOR SIZES 10-70 | L |
| .062 | WTFFS062 | 2 | .50 |
| .093 | WTFFS093 | | .50 |
| .125 | WTFFS125 | | .56 |

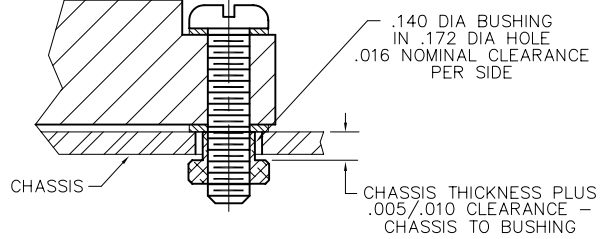
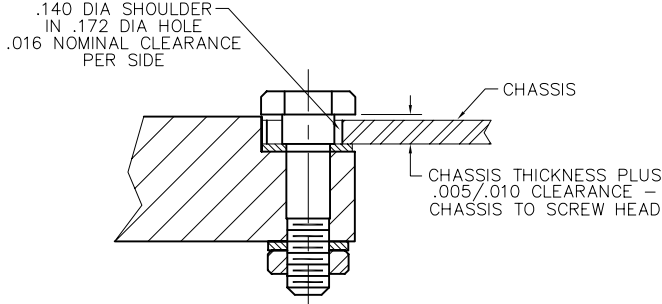
| DIMENSIONS | | | | | |
|------------|---------------------|------------|------|---------------------|------------|
| SIZE | A +.006 -.000 | B ±.003 | SIZE | A +.006 -.000 | B ±.003 |
| 10 | .882 | 1.100 | 44 | 2.582 | 2.800 |
| 14 | 1.082 | 1.300 | 50 | 2.882 | 3.100 |
| 20 | 1.382 | 1.600 | 54 | 3.082 | 3.300 |
| 24 | 1.582 | 1.800 | 56 | 3.182 | 3.400 |
| 26 | 1.682 | 1.900 | 60 | 3.382 | 3.600 |
| 30 | 1.882 | 2.100 | 66 | 3.682 | 3.900 |
| 36 | 2.182 | 2.400 | 70 | 3.882 | 4.100 |
| 40 | 2.382 | 2.600 | | | |

CHASSIS CUTOUT WTB-WTK, SIZES 10-70

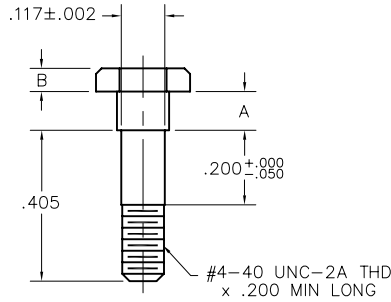


Accessories

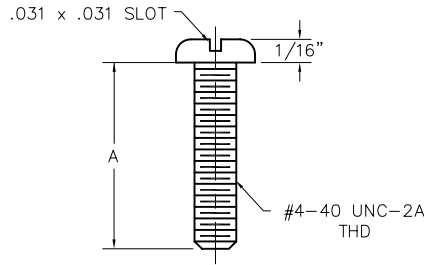
Floating Mounts for WTB-WTK Receptacles



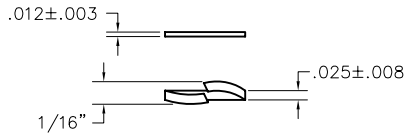
FLOATING STUD, HEX HEAD
7/32±.005 HEX HEAD



FLOATING STUD, ROUND HEAD
.212±.007 DIA HEAD

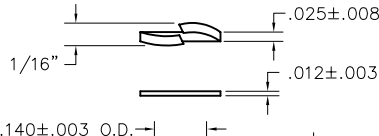


FLAT WASHER
.215 O.D. x .120 I.D.



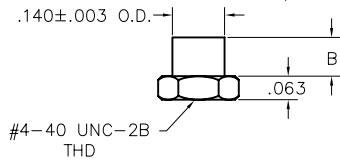
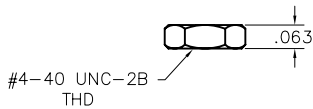
SPLIT LOCKWASHER
.212±.015 O.D. x .115 I.D.

SPLIT LOCKWASHER
.212±.015 O.D. x .115 I.D.



FLAT WASHER
.215 O.D. x .120 I.D.

HEX NUT
3/16±.005



FLOATING BUSHING
7/32" HEX

| PART NUMBER | A $\begin{smallmatrix} +.000 \\ -.005 \end{smallmatrix}$ | B $\begin{smallmatrix} +.000 \\ -.005 \end{smallmatrix}$ | CHASSIS THICKNESS |
|-------------|----------------------------------------------------------|----------------------------------------------------------|-------------------|
| WTFRS062 | .073 | .062 | .062 |
| WTFRS093 | .104 | .062 | .093 |
| WTFRS125 | .135 | .050 | .125 |

| PART NUMBER | A $\begin{smallmatrix} +.000 \\ -.030 \end{smallmatrix}$ | B $\pm .003$ | CHASSIS THICKNESS |
|-------------|----------------------------------------------------------|--------------|-------------------|
| WTFFS040 | .439 | .051 | .040 |
| WTFFS062 | .500 | .073 | .062 |
| WTFFS093 | .500 | .104 | .093 |
| WTFFS125 | .562 | .135 | .125 |
| WTFFS200 | .625 | .210 | .200 |

| PART DESCRIPTION | MATERIAL SPECIFICATION | FINISH SPECIFICATION | WTFRS | WTFRAS | WTFFS |
|-----------------------------------------|--------------------------------------------------------------|---------------------------------------------------------|-------|--------|-------|
| FLOATING STUD 7/32" DIA, ROUND HEAD | SST SERIES 300 PER ASTM-A582 AND/OR QQ-S-763/766 | PASSIVATE PER SAE AMS- QQ-P-35 OR ASTM-A967 | | X | |
| FLOATING STUD 7/32" HEX HEAD | | | X | | |
| FLOATING BUSHING 7/32" HEX HEAD | | | | | X |
| MOUNTING SCREW 7/32" DIA, ROUND HEAD | | | | | X |
| #4 LOCKWASHER | | | X | X | X |
| #4 FLAT WASHER | | | X | X | X |
| HEX NUT #4-40 | | | X | X | |

Accessories

Face Seal Gaskets for
WG-WGA-WGE Series

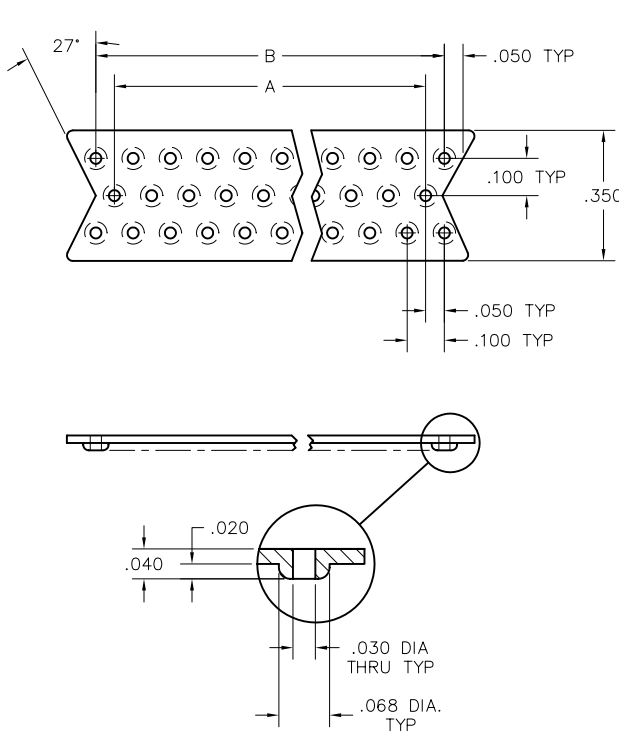


FIGURE 1

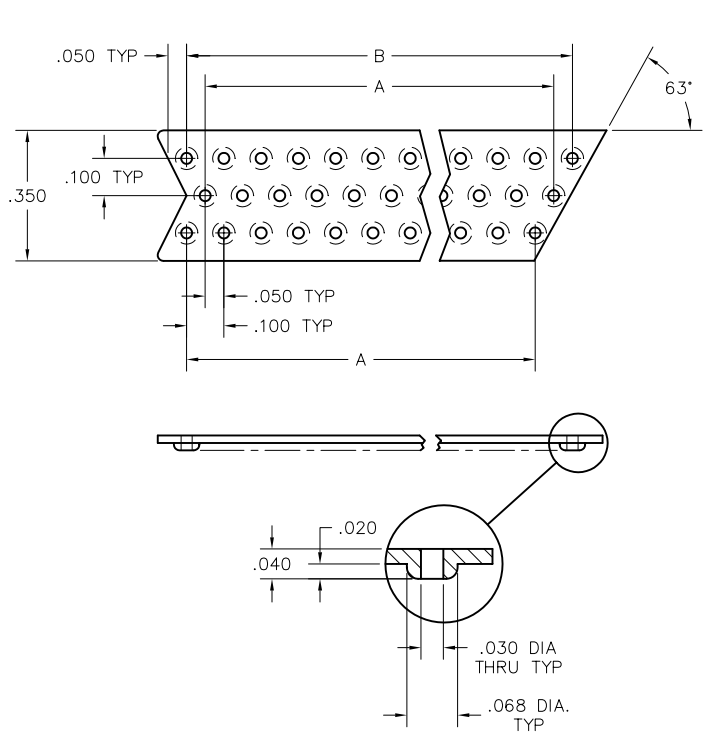


FIGURE 2

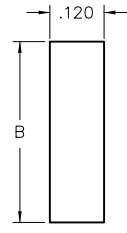
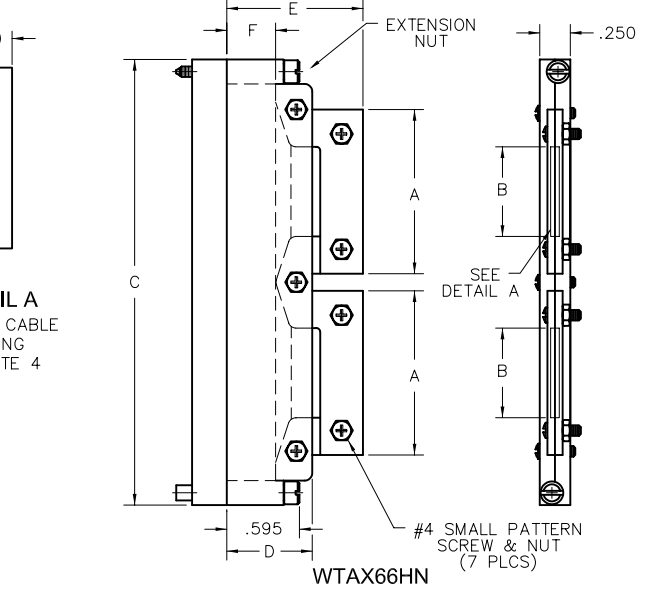
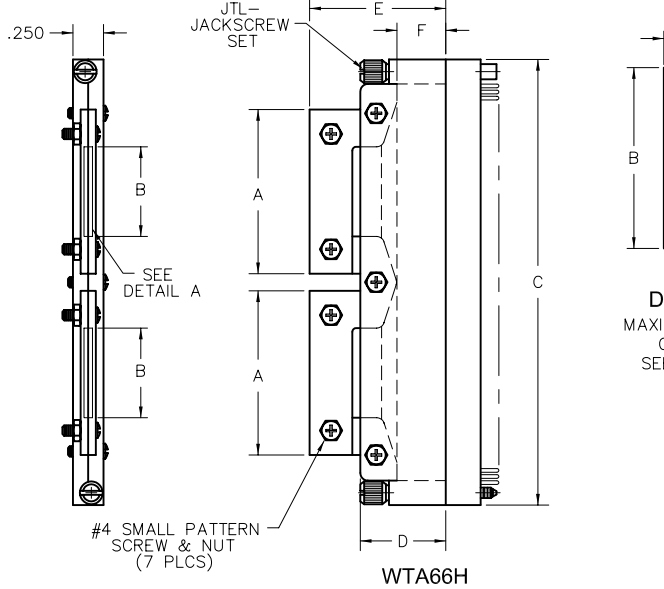
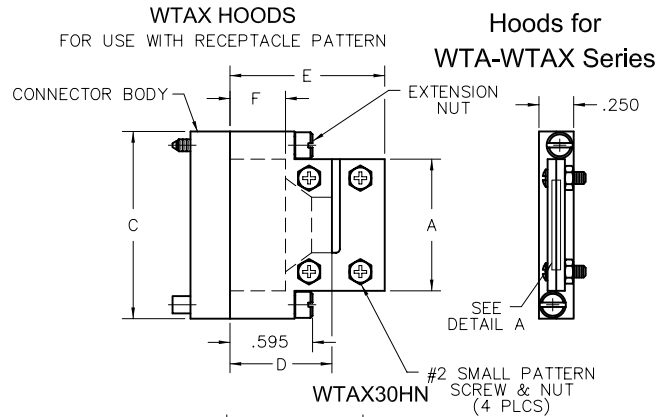
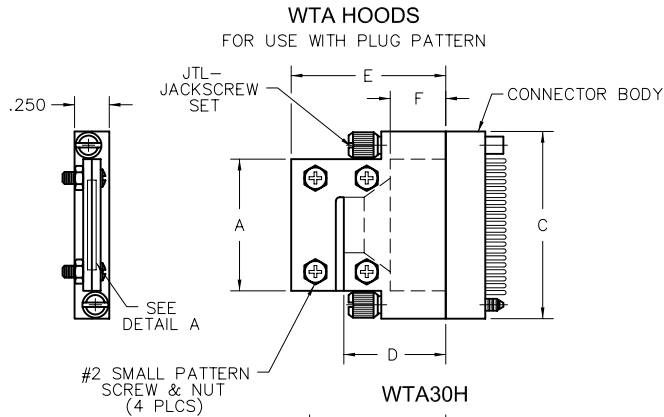
NOTES:

1. DUE TO THE ELASTICITY OF SILICONE RUBBER, A & B DIMENSIONS ARE FOR REFERENCE ONLY. THE ACCUMULATIVE TOLERANCE FOR LINEAR HOLE CENTERS SHALL BE NO MORE THAN $\pm .030$ FOR EACH INCH OF SPACE BETWEEN END HOLES.
2. MATERIAL: SILICONE RUBBER, CLASS 2A OR 2B, GRADE 50 PER A-A-59588.
3. FOR USE WITH MALE (PIN) CONNECTORS ONLY.
4. CHECK SALES DEPARTMENT FOR COMBINATION CONNECTOR AND GASKET CODES. EXAMPLE: WG80PR7QSY-1.

| CODE CHART | | | | | |
|-----------------|-------|-------|--------|-------------|-----------------------|
| NO. OF CONTACTS | A | B | FIGURE | GASKET CODE | FOR USE WITH |
| 50 | 1.500 | 1.600 | 1 | WG50Q | WG-P-JT JTA JTL |
| 80 | 2.500 | 2.600 | 1 | WG80Q | |
| 92 | 2.900 | 3.000 | 1 | WG92Q | |
| 61 | 1.900 | 2.000 | 2 | WG61Q | WGV-P-SY SYL |
| 52 | 1.600 | 1.700 | 2 | WG52Q | |
| 62 | 1.900 | 2.000 | 1 | WG62Q | WG-PR-SY |
| 70 | 2.200 | 2.300 | 1 | WG70Q | |

| FOR CONNECTOR CODE | USE TWO GASKETS CODE NUMBER |
|--------------------|-----------------------------|
| WGA122PR | WG61Q |
| WG104PR | WG52Q |
| WG160PR | WG80Q |

Accessories



DETAIL A
MAXIMUM CABLE
OPENING
SEE NOTE 4

| WTA HOODS, PLUG IMAGE | | | | | | WTAX HOODS, RECEPTACLE IMAGE | | | | | | PART NO. DESIGNATION | | | | | |
|-----------------------|-------|-------------------------|-------|------|-------|------------------------------|----------|-------|-------------------------|-------|------|----------------------|------|------------------|------------------|----------------------------------------------------|-------------------------------------------|
| PART NO. | A | B $\pm .015$ $-.025$ | C | D | E | F | PART NO. | A | B $\pm .015$ $-.025$ | C | D | E | F | SERIES | SIZE | HOOD DESIGNATION | FOR HARDWARE TYPE |
| WTA20H | .950 | .400 | 1.350 | | | | WTAX20H | 1.450 | .800 | 1.850 | | | | WTA | 20 THRU 70 | H | JTL - LONG TURNING JACKSCREW SET |
| WTA30H | 1.450 | .800 | 1.850 | | | WTAX30H | 1.450 | .800 | 1.850 | | | | | | | | |
| WTA36H | 1.300 | .750 | 2.150 | | | WTAX36H | 1.300 | .750 | 2.150 | | | | | | | | |
| WTA40H | 1.500 | .950 | 2.350 | | | WTAX40H | 1.500 | .950 | 2.350 | | | | | | | | |
| WTA44H | 1.700 | 1.150 | 2.550 | | | WTAX44H | 1.700 | 1.150 | 2.550 | | | | WTAX | 30 THRU 70 | HN | J - FIXED JACKSCREW SET SY - GUIDE SET | |
| WTA50H | 2.000 | 1.450 | 2.850 | .700 | 1.115 | .400 | WTAX50H | 2.000 | 1.450 | 2.850 | .700 | 1.115 | | | | | .400 |
| WTA54H | 2.200 | 1.650 | 3.050 | | | WTAX54H | 1.950 | 1.400 | 3.050 | | | | | | | | |
| WTA56H | 2.060 | 1.500 | 3.150 | | | WTAX56H | 2.060 | 1.500 | 3.150 | | | | | | | | |
| WTA60H | 1.240 | .700 | 3.350 | | | WTAX60H | 1.240 | .700 | 3.350 | | | | | | | | |
| WTA66H | 1.350 | .735 | 3.650 | | | WTAX66H | 1.345 | .735 | 3.650 | | | | | | | | |
| WTA70H | 1.445 | .885 | 3.850 | | | WTAX70H | 1.445 | .885 | 3.850 | | | | | | | | |

NOTES:

- DIMENSIONS ARE SYMMETRICAL ABOUT CENTER LINE.
- HOODS ARE SUPPLIED UNASSEMBLED.
- HOOD MATERIAL: POLYETHYLENE, HIGH DENSITY
CLAMPING SCREWS AND NUTS: STAINLESS STEEL
- THE TOP CLAMPS ARE FLEXIBLE TO ACCOMMODATE MAXIMUM CABLE BUNDLE.
- CHECK WITH SALES DEPARTMENT FOR SIZES NOT LISTED.
- SCREWS SUPPLIED ARE CROSS-RECESS ONLY.
- TOLERANCES: $\pm .015$
- SIZES 20-30 USE #2 SMALL PATTERN SCREW & NUT.
SIZES 36-70 USE #4 SMALL PATTERN SCREW & NUT.
- HOODS CANNOT BE USED ON CONNECTORS SPECIFYING THE -C45 OPTION CODE.

EXAMPLES:

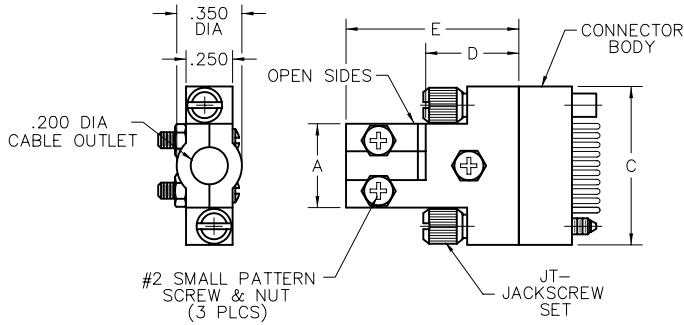
- WTA**H = DESIGNATES HOOD USED WITH JTL HARDWARE
- WTA**HN = DESIGNATES HOOD USED WITH J OR SY HARDWARE (INCLUDES EXTENSION NUTS).
- WTAHN = DESIGNATES EXTENSION NUTS ONLY.

** = DESIGNATES CONNECTOR SIZE. SEE PAGE WA-7 FOR ADDITIONAL INFORMATION ON EXTENSION NUTS.

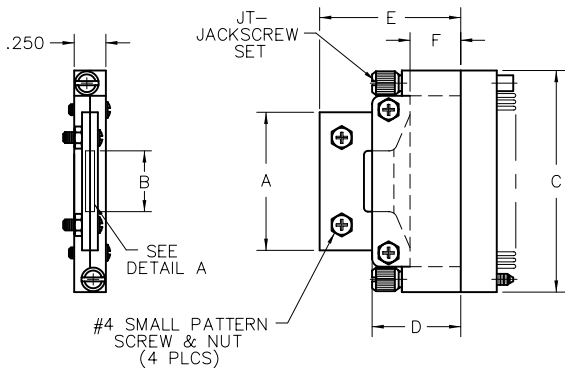
Accessories

Hoods for WTD-WTDX Series

WTD HOODS
FOR USE WITH PLUG PATTERN

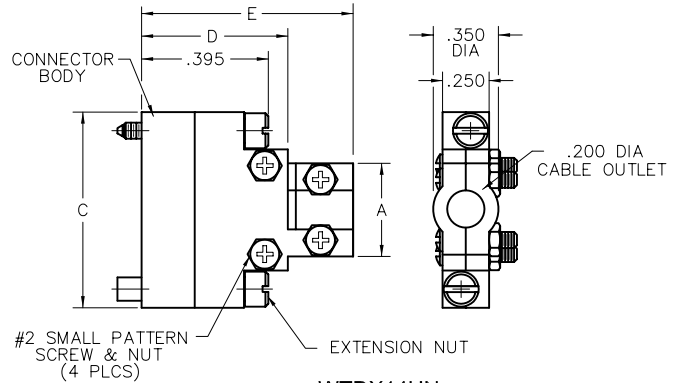


WTD10H

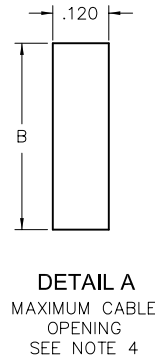


WTD26H

WTDX HOODS
FOR USE WITH RECEPTACLE PATTERN



WTDX14HN



| PART NO. DESIGNATION | | | |
|----------------------|-------------|------------------|-------------------------------------------|
| SERIES | SIZE | HOOD DESIGNATION | FOR HARDWARE TYPE |
| WTD | | H | JT - TURNING JACKSCREW SET |
| WTDX | 10, 14 & 26 | HN | J - FIXED JACKSCREW SET SY - GUIDE SET |

| CODE CHART | | | | | | | | | | | | | |
|-----------------------|-------|-------------------------|-------|------|------|------------------------------|----------|-------|-------------------------|-------|------|------|------|
| WTD HOODS, PLUG IMAGE | | | | | | WTDX HOODS, RECEPTACLE IMAGE | | | | | | | |
| PART NO. | A | B $\pm .015$ $-.025$ | C | D | E | F | PART NO. | A | B $\pm .015$ $-.025$ | C | D | E | F |
| WTD10H | .450 | — | .850 | .500 | .850 | .200 | WTDX10H | .450 | — | .850 | .500 | .850 | — |
| WTD14H | .500 | — | 1.050 | | | | WTDX14H | .500 | — | 1.050 | | | |
| WTD26H | 1.090 | .540 | 1.650 | | .915 | | WTDX26H | 1.250 | .600 | 1.650 | | .915 | .200 |

NOTES:

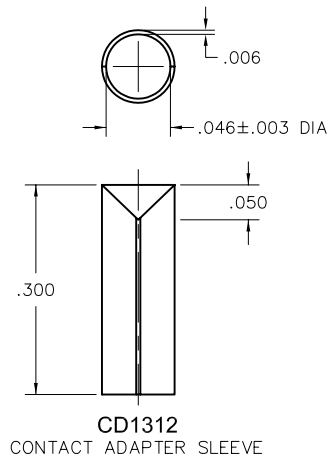
- DIMENSIONS ARE SYMMETRICAL ABOUT CENTER LINE.
- HOODS ARE SUPPLIED UNASSEMBLED.
- HOOD MATERIAL: POLYETHYLENE, HIGH DENSITY CLAMPING SCREWS AND NUTS: STAINLESS STEEL
- THE TOP CLAMPS ARE FLEXIBLE TO ACCOMMODATE MAXIMUM CABLE BUNDLE.
- CHECK WITH SALES DEPARTMENT FOR SIZES NOT LISTED.
- SEE PAGE WA-5 FOR WTA-WTAX SERIES HOODS.
- IF USED WITH WTA OR WTAX CONNECTORS IS DESIRED, LEAD DRESS AREA WILL BE AT A MINIMUM.
- SCREWS SUPPLIED ARE CROSS-RECESS ONLY.
- TOLERANCES: $\pm .015$
- SIZES 10 & 14 USE #2 SMALL PATTERN SCREW & NUT. SIZE 26 USE #4 SMALL PATTERN SCREW & NUT.
- HOODS CANNOT BE USED ON CONNECTORS SPECIFYING THE -C45 OPTION CODE.

EXAMPLES:

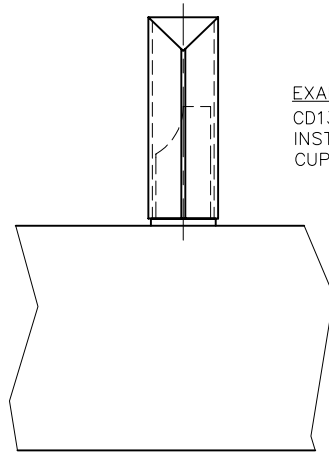
- WTD**H = DESIGNATES HOOD USED WITH JT HARDWARE
 WTD**HN = DESIGNATES HOOD USED WITH J OR SY HARDWARE (INCLUDES EXTENSION NUTS).
 WTDHN = DESIGNATES EXTENSION NUTS ONLY.
 ** = DESIGNATES CONNECTOR SIZE. SEE PAGE WA-7 FOR ADDITIONAL INFORMATION ON EXTENSION NUTS.

Accessories

Adapter Sleeve for
Solder Cup Contacts



EXAMPLE:
CD1312 ADAPTER SLEEVE
INSTALLED OVER SOLDER
CUP CONTACT

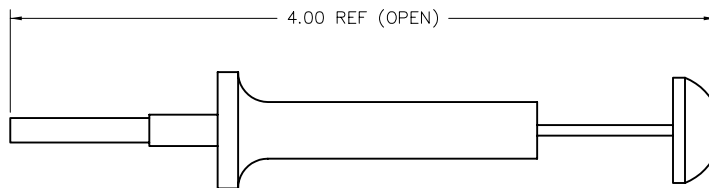


NOTES:

1. MATERIAL: BeCu PER ASTM-B194.
FINISH: GOLD PLATE PER MIL-G-45204
2. CONTACT ADAPTER SLEEVE IS DESIGNED TO ACCEPT #20 WIRE.
3. WITH USE OF THE ADAPTER SLEEVE, EFFECTIVE DIAMETER IS EXPANDED TO .050 I.D.
4. THE CD1312 WILL ALSO ACCEPT: 3 TWISTED OF #28 WIRE
2 TWISTED OF #26 WIRE

Accessories

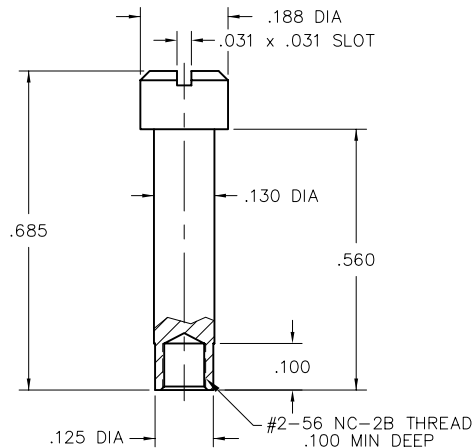
Coax Removal Tool
for WTC Contacts



TR2679
REMOVAL TOOL

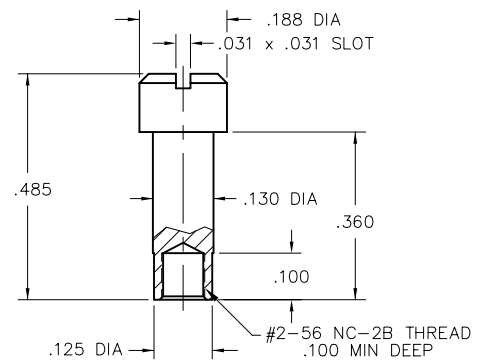
Accessories

Extension Nuts



WTAHN

FOR USE WITH WTAH & WTAXH
HOODS. SEE PAGE WA-5.



WTDHN

FOR USE WITH WTDH & WTDXH
HOODS. SEE PAGE WA-6.

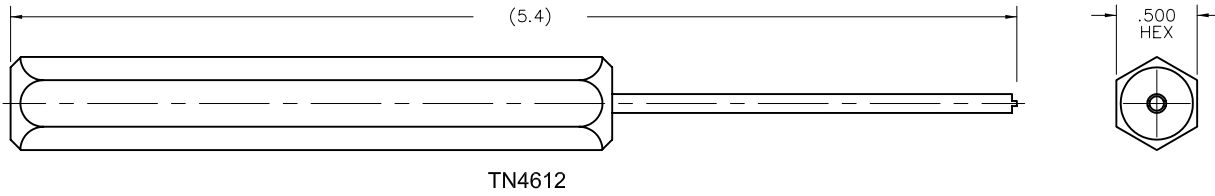
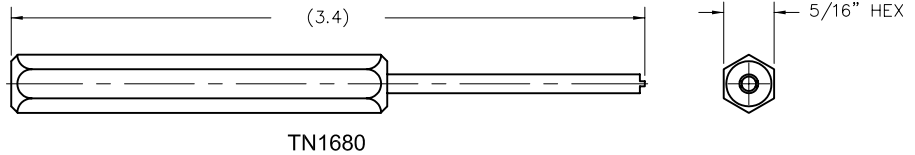
NOTES:

1. EXTENSION NUTS ARE NECESSARY FOR HOODS WHEN CONNECTOR INVOLVED HAS FIXED HARDWARE.
FOR EXAMPLE: GUIDE SET (SY) OR FIXED JACKSCREW SET (J).
2. TWO EXTENSION NUTS ARE REQUIRED PER HOOD.
3. MATERIAL: STAINLESS STEEL, TYPE 303.
4. INSTALLATION: REMOVE NUT FROM HARDWARE ON TERMINATION SIDE OF CONNECTOR USING TN1680, NUT SPANNER WRENCH. INSTALL EXTENSION NUT IN ITS PLACE. FOR INFORMATION ON TN1680 SEE WA-8.

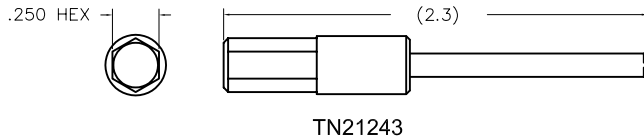


Accessories

Nut Spanner Wrenches



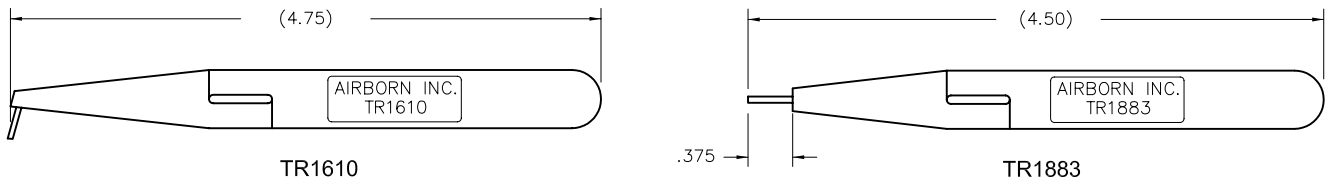
USING EITHER OF THE SPANNER WRENCHES SHOWN ABOVE, GUIDE SETS MAY BE REMOVED AND REPOSITIONED IN ANY OF THE 64 POLARIZING POSITIONS. REFER TO PAGE WA-18 FOR POLARIZATION CHART.
 CAUTION: WHEN POLARIZED POSITIONS ARE CHANGED, APPLY LOCTITE 242® TO THREADS.
 IF SPANNER NUTS ARE DIFFICULT TO REMOVE DUE TO HARDENED LOCTITE®, APPLY HEAT (300° F) TO NUT AREA FOR ONE HOUR AND REPEAT REMOVAL OPERATION.



THE 1/4" DRIVE SPANNER WRENCH ABOVE IS DESIGNED FOR USE IN TORQUE WRENCHES

Accessories

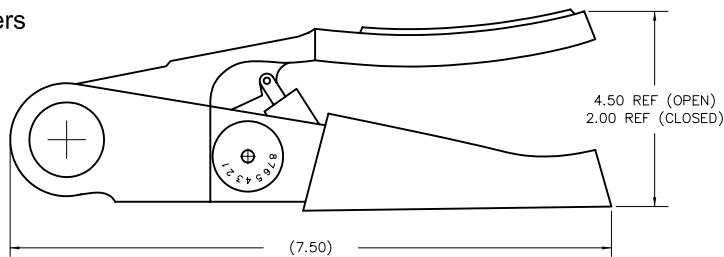
Insertion & Removal Tools



Accessories

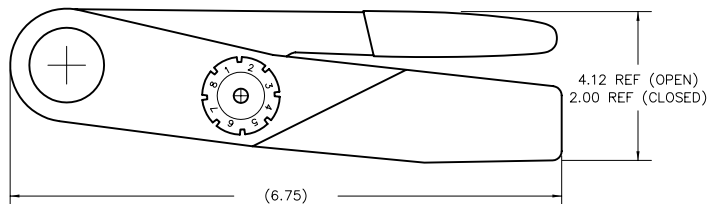
Crimp Tools & Positioners

TC2963 - CRIMP TOOL
 REF M22520/2-01
TP1696 - POSITIONER
 REF M22520/2-06
 (REF ASTRO TOOL CORP.)



INSULATION STRIPPING
 EXPOSE .135/.145 BARE WIRE LENGTH FOR INSERTION INTO CONTACT.

TC1652 - CRIMP TOOL
 REF M22520/2-01
TP1653 - POSITIONER
 REF M22520/2-06
 (REF DANIELS MFG. CORP.)

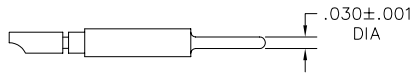


| TOOL SELECTION TABLE | | |
|----------------------|------------------------|------------------------|
| CONTACT | TOOL NO. | POSITIONER |
| WTK2222PA | | TP1985 |
| WTK2222S | TC1652 OR TC2963 | TP1653 OR TP1696 |
| WTK2220S657 | | TP2435 |

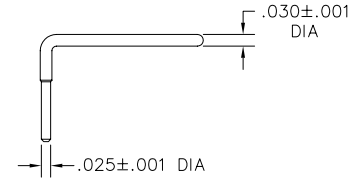
Contacts

#22 Pins & Sockets
for WT, WTA, WTB, WTK,
WG & WGA Series

PINS

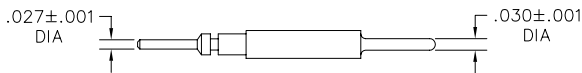


PC Pin, straight, solder cup



PR

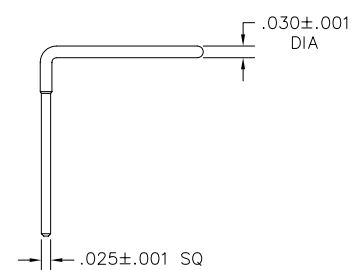
PR5 Pin, right angle, dip solder, .081" x .025" dia
 PR7 Pin, right angle, dip solder, .109" x .025" dia
 PR9 Pin, right angle, dip solder, .140" x .025" dia
 PR11 Pin, right angle, dip solder, .172" x .025" dia
 PR15 Pin, right angle, dip solder, .234" x .025" dia
 PRD4 Pin, right angle, dip solder, .063" x .030" dia
 PRD7 Pin, right angle, dip solder, .109" x .030" dia
 PRD8 Pin, right angle, dip solder, .125" x .030" dia



PD PD9 Pin, straight, dip solder, .140"
 PD11 Pin, straight, dip solder, .172"

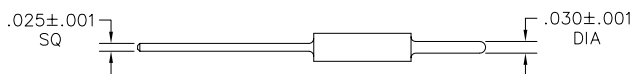


PF PF3 Pin, straight, flex circuit, .050"
 PF6 Pin, straight, flex circuit, .093"



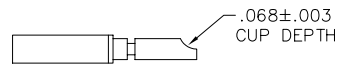
PRW

PRW32 Pin, right angle, wire wrap®, .500"
 PRW34 Pin, right angle, wire wrap®, .531"
 PRW40 Pin, right angle, wire wrap®, .625"

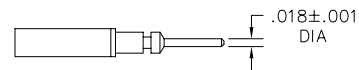


PW PW40 Pin, straight, wire wrap®, .625"

SOCKETS

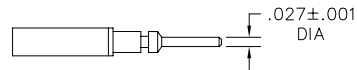


SAC SAC Socket, straight, solder cup, closed entry



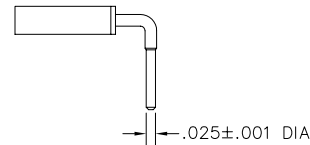
SAG

SAG7 Socket, straight, dip solder, .109"
 SAG9 Socket, straight, dip solder, .140"
 SAG11 Socket, straight, dip solder, .172"



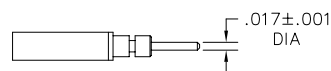
SAD

SAD7 Socket, straight, dip solder, .109"
 SAD9 Socket, straight, dip solder, .140"
 SAD11 Socket, straight, dip solder, .172"
 SAD15 Socket, straight, dip solder, .234"
 SAD16 Socket, straight, dip solder, .250"



SAR

SAR7 Socket, right angle, dip solder, .109"
 SAR9 Socket, right angle, dip solder, .140"
 SAR11 Socket, right angle, dip solder, .172"



SAF SAF3 Socket, straight, flex circuit, .050"
 SAF6 Socket, straight, flex circuit, .093"

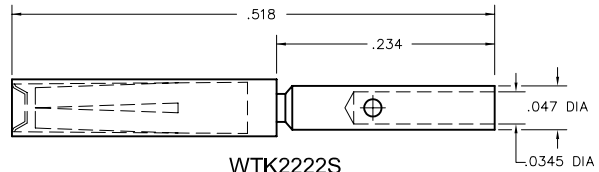


SAW

SAW24 Socket, straight, wire wrap®, .375"
 SAW40 Socket, straight, wire wrap®, .625"

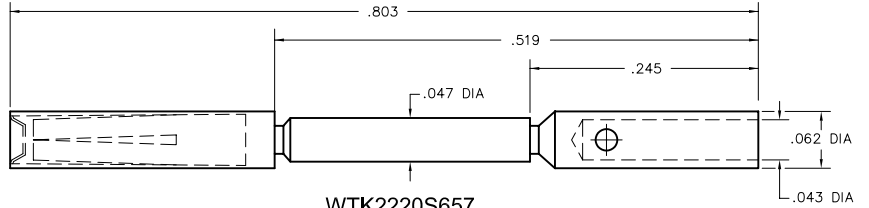
Contacts

Crimp Removable for
 WTDX, WTDXA, WTK, WTKA Series
 WGDY, WGDYA, WGK, WGKA Series

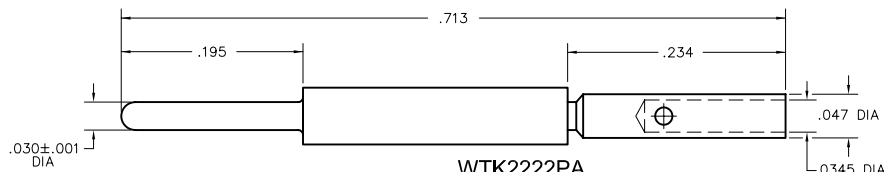


WTK2222S
 SOCKET, CRIMP REMOVABLE

WTK2222SA
 SOCKET, LOW FORCE, CRIMP REMOVABLE,
 22 GAGE BARREL



WTK2220S657
 SOCKET, CRIMP REMOVABLE,
 20 GAGE BARREL

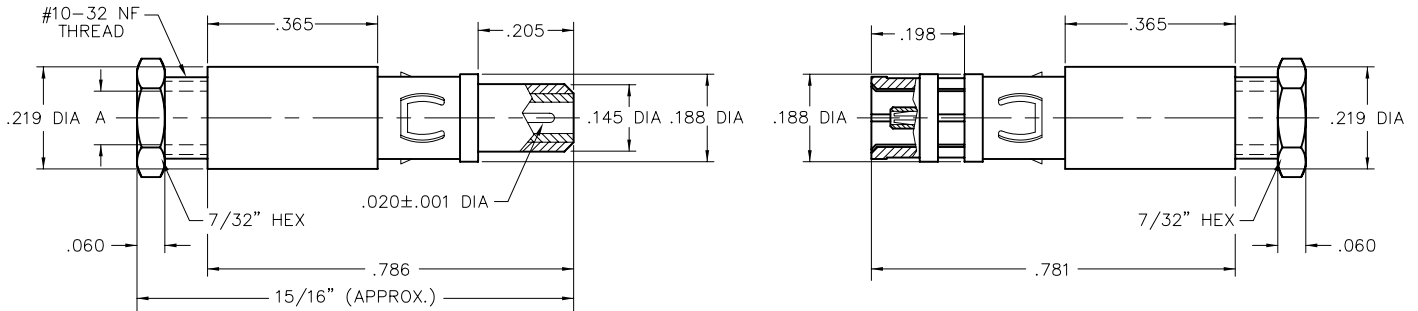


WTK2222PA
 PIN, CRIMP REMOVABLE,
 22 GAGE BARREL

Note: When using crimp contacts with 20 gage barrel, barrel must be cut off prior to removing contact from connector body.

Contacts

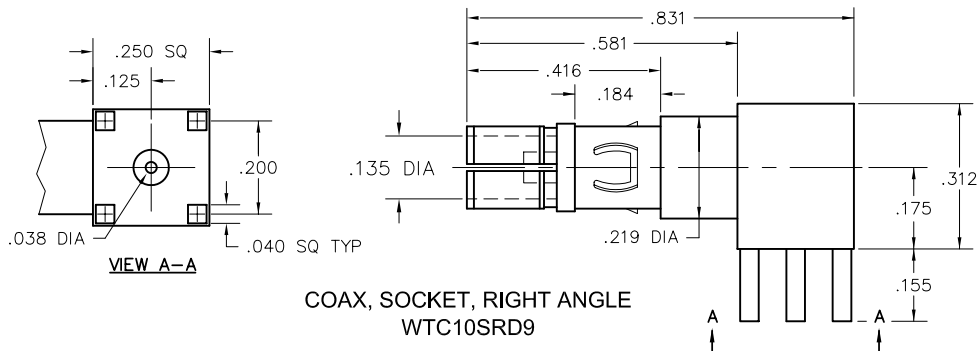
Coax



COAX, MALE

COAX, FEMALE

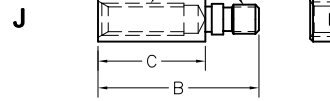
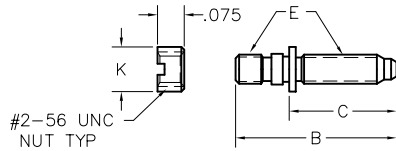
| PART # | DESCRIPTION | DIA "A" | CABLE TYPE | PART # | DESCRIPTION |
|---------|---------------------|---------|-------------------------|---------|------------------------|
| WTC188P | COAX, STRAIGHT, PIN | .115 | RG174, RG188, RG316 | WTC188S | COAX, STRAIGHT, SOCKET |
| WTC196P | | .089 | RG178, RG196 | WTC196S | |
| WTC085P | | | SEMI-RIGID, .085-50 OHM | WTC085S | |



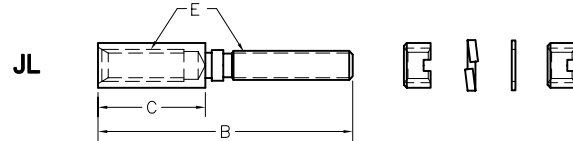
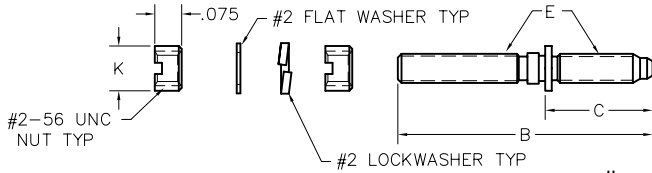
COAX, SOCKET, RIGHT ANGLE
 WTC10SRD9

Jacksets

Fixed Jacksets

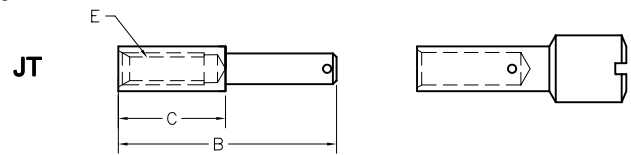
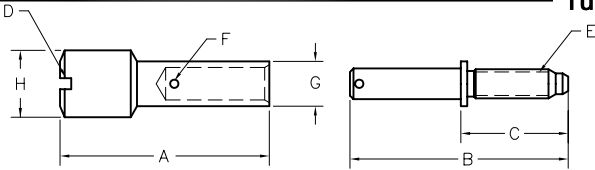


- J** Fixed jackset
JFF Two fixed jacksockets
JFM Fixed jackset, reversed
JMM Two fixed jackscrews

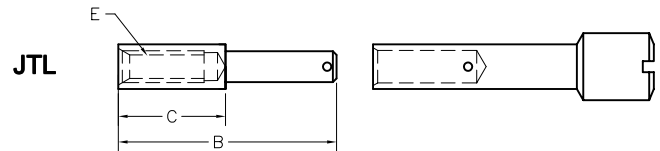
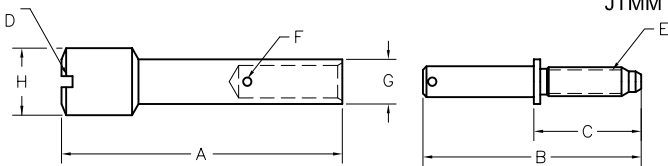


- JL** Fixed jackset, long
JLFF Two fixed jacksockets, long
JLFM Fixed jackset, long, reversed
JLMM Two fixed jackscrews, long

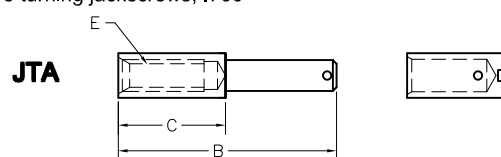
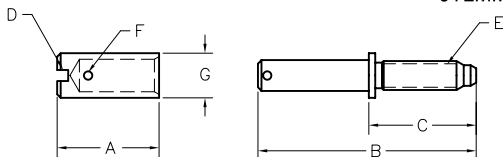
Turning Jacksets



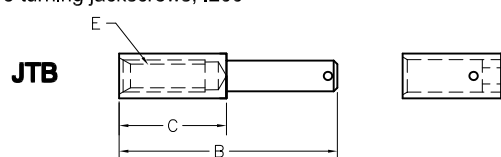
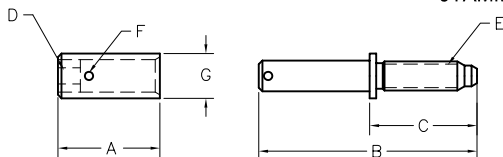
- JT** Turning jackset, .500"
JTFF Two turning jacksockets, .500"
JTFM Turning jackset, reversed, .500"
JTMM Two turning jackscrews, .500"



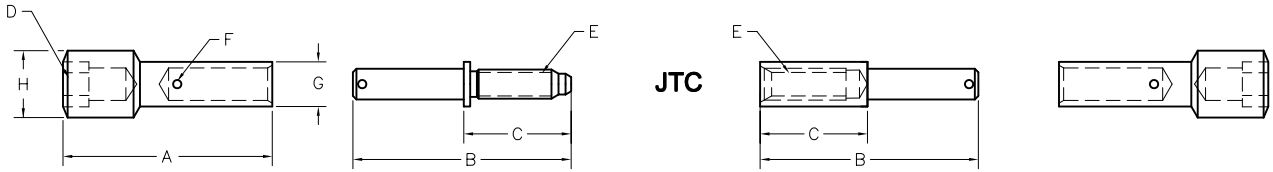
- JTL** Turning jackset, .700"
JTLFF Two turning jacksockets, .700"
JTLFM Turning jackset, reversed, .700"
JTLMM Two turning jackscrews, .700"



- JTA** Turning jackset, .200"
JTAFF Two turning jacksockets, .200"
JTAFM Turning jackset, reversed, .200"
JTAMM Two turning jackscrews, .200"



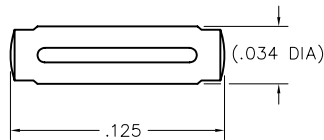
- JTB** Turning jackset, .200"
JTBFF Two turning jacksockets, .200"
JTBFM Turning jackset, reversed, .200"
JTBMM Two turning jackscrews, .200"



- JTC Turning jackset, .500"
- JTCFF Two turning jacksockets, .500"
- JTCFM Turning jackset, reversed, .500"
- JTCMM Two turning jackscrews, .500"

GROOVE PIN

SEE NOTE 1



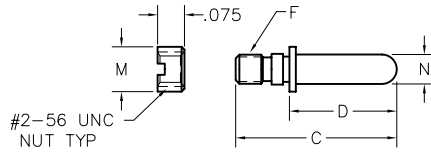
Notes:

1. Groove pin secures knob to jackscrew and jackscket on turning hardware.
2. For nut spanner wrench, refer to Data Sheet on WA-9.
3. When installing fixed jacksets, apply Loctite® to threads.
4. Under normal conditions, jackscrews are at socket contact position #1, and jacksockets are at pin contact position #1.
5. Spanner nuts, lockwashers and flat washers shall be supplied separately.

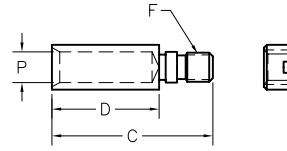
| DIMENSIONS | | | | | | | | | | | |
|---------------|-----------------------|------|--------------|------|---------------------|---------------------|----------|----------|----------|----------|----------|
| HARDWARE TYPE | FOR MOLDING TYPE | A | B | C | D | E | F | G | H | K | |
| J | WTA, WTB | — | .450 | .300 | — | #2-56 UNC THD | — | — | — | .125 DIA | |
| JL | WTA, WTB | — | .712 | | — | | — | — | — | — | .125 DIA |
| JT | WTA, WTB WTDX, WTK | .585 | .610 .860 | | .031 x .031 SLOT | | .033 DIA | .125 DIA | .187 DIA | — | |
| JTA | WTA, WTB WTDX, WTK | .285 | .610 .860 | | .031 x .031 SLOT | | | | | .125 DIA | — |
| JTB | WTA, WTB WTDX, WTK | .285 | .610 .860 | | 5/64 INT HEX | | .187 DIA | .125 DIA | .125 DIA | — | |
| JTC | WTA, WTB WTDX, WTK | .585 | .610 .860 | | 7/64 INT HEX | | | | | — | |
| JTL | WTA, WTB WTDX, WTK | .785 | .610 .860 | | .031 x .031 SLOT | | .187 DIA | — | | | |

Guide Sets

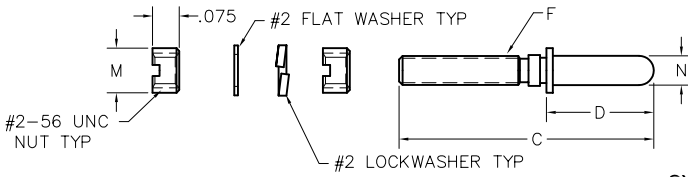
Guide Sets



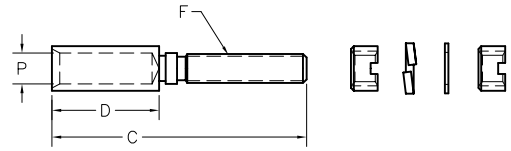
SY



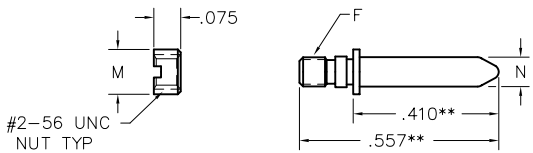
SY Guide set
 SYFF Two guide sockets
 SYFM Guide set, reversed
 SYMM Two guide pins



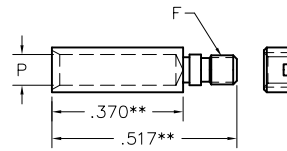
SYL



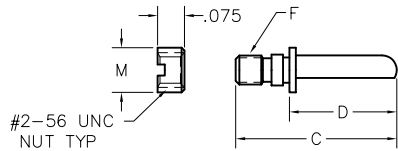
SYL Guide set
 SYLFF Two guide sockets
 SYLFM Guide set, reversed
 SYLMM Two guide pins



SC

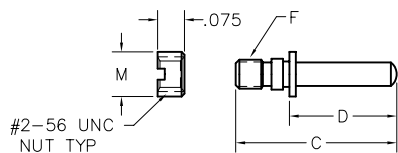
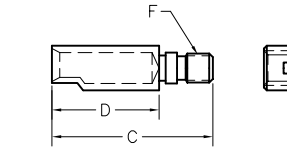


Guide Sets, Polarized



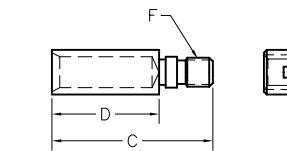
SY-

SEE NOTE 1



SY-

SEE NOTE 2



Notes:

- For polarized "D" shaped guides, see WA-17. Polarizing also available for SYL- and SC- guide sets. To order, use P/N WTBSY-*, WTBSYL-* or WTBSC-*. See WA-17 for dash number requirement (example WTBSY-33).
- For universal type test connector, see WA-17.
- For nut spanner wrench, refer to Data Sheet on WA-9.
- When installing guide sets, apply Loctite® to threads.
- Under normal conditions, jackscrews are at socket contact position #1, and jacksockets are at pin contact position #1.
- Spanner nuts, lockwashers and flat washers shall be supplied separately.

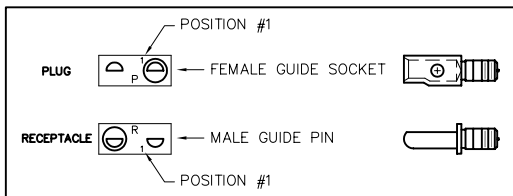
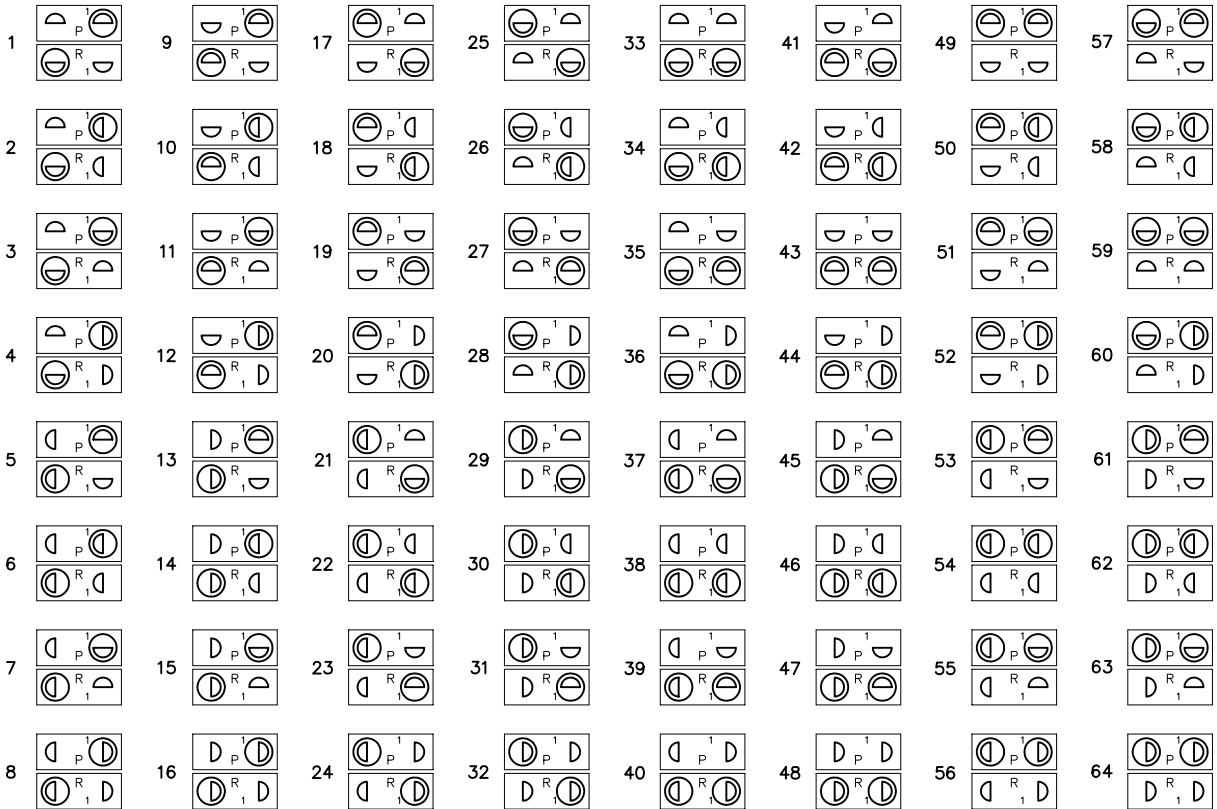
| DIMENSIONS | | | | | | | |
|-------------|------------------|------|------|---------------|----------|----------|----------|
| PART NUMBER | FOR MOLDING TYPE | C | D | F | M | N | P |
| WTBSC | WTB COAX | ** | ** | #2-56 UNC THD | .125 DIA | .082 DIA | .086 DIA |
| WTBSY | WTA,WTB,WG,WGA | .450 | .300 | | | | |
| WTBSY | WTBT | .653 | | | | | |
| WTKSY | WTK | .712 | | | | | |
| WTBSYL | WTA,WTB,WG | | | | | | |

Hardware Availability by Connector Series

| | | | | | | | | | | | | | |
|--------------------------------|------|------|--------|------|------|-------|-------|------|------|-------|---------------------------|-------|--|
| WTA / B WG - Receptacle | | | | | | | | | | | Body Height = .335 | | |
| Style: | J | JL | SY | SY-* | SYL | SYL-* | JTA | JTB | JTD | JT | JTC | JTL | |
| Mating: | .130 | .130 | .130 | .130 | .130 | .130 | .130 | .130 | .130 | .130 | .130 | .130 | |
| Termn: | ---- | .247 | ---- | ---- | .247 | .247 | .200 | .200 | .230 | .500 | .500 | .700 | |
| WTB / WG - Plug | | | | | | | | | | | Body Height = .400 | | |
| Style: | J | JL | SY | SY-* | SYL | SYL-* | JTA | JTB | JTD | JT | JTC | JTL | |
| Mating: | .130 | .130 | .130 | .130 | .130 | .130 | .130 | .130 | .130 | .130 | .130 | .130 | |
| Termn: | ---- | .182 | ---- | ---- | .182 | .182 | .135 | .135 | .165 | .435 | .435 | .635 | |
| WGA - Receptacle | | | | | | | | | | | Body Height = .375 | | |
| Style: | J | JL | SY | SY-* | SYL | SYL-* | JTA | JTB | JTD | JT | JTC | JTL | |
| Mating: | .130 | .130 | .130 | .130 | .130 | .130 | .130 | .130 | .130 | .130 | .130 | .130 | |
| Termn: | ---- | .207 | ---- | ---- | .207 | .207 | .160 | .160 | .190 | .460 | .460 | .660 | |
| WGA - Plug | | | | | | | | | | | Body Height = .400 | | |
| Style: | J | JL | SY | SY-* | SYL | SYL-* | JTA | JTB | JTD | JT | JTC | JTL | |
| Mating: | .130 | .130 | .130 | .130 | .130 | .130 | .130 | .130 | .130 | .130 | .130 | .130 | |
| Termn: | ---- | .182 | ---- | ---- | .182 | .182 | .135 | .135 | .165 | .435 | .435 | .635 | |
| WGR92 - Receptacle | | | | | | | | | | | Body Height = .375 | | |
| Style: | J | JL | SY | SY-* | SYL | SYL-* | JTA | JTB | JTD | JT | JTC | JTL | |
| Mating: | .130 | .130 | .130 | .130 | .130 | .130 | .130 | .130 | .130 | .130 | .130 | .130 | |
| Termn: | ---- | .207 | ---- | ---- | .207 | .207 | .160 | .160 | .190 | .460 | .460 | .660 | |
| WGR92 - Plug | | | | | | | | | | | Body Height = .350 | | |
| Style: | JCL | SYCL | SYCL-* | | | | JTA | JTB | JT | JTL | | | |
| Mating: | .130 | .130 | .130 | | | | .130 | .130 | .130 | .130 | | | |
| Termn: | .247 | .120 | .120 | | | | .205 | .205 | .505 | .705 | | | |
| WRD122 - Receptacle | | | | | | | | | | | Body Height = .375 | | |
| Style: | J | JL | SY | SY- | SYL | SYL-* | L-D65 | JTA | JTB | JTC | JT | JTL | |
| Mating: | .130 | .130 | .130 | .130 | .130 | .130 | ---- | .130 | .130 | .130 | .130 | .130 | |
| Termn: | ---- | .207 | ---- | ---- | .207 | .207 | .230 | .160 | .160 | .460 | .460 | .660 | |
| WRD122 - Plug | | | | | | | | | | | Body Height = .635 | | |
| Style: | JCL | SYCL | SYCL-* | | | | | | | | | | |
| Mating: | .130 | .130 | .010 | | | | | | | | | | |
| Termn: | ---- | ---- | ---- | | | | | | | | | | |
| WRF100 - Receptacle | | | | | | | | | | | Body Height = .534 | | |
| Style: | J | JL | | | | | | | | | | | |
| Mating: | .130 | .130 | | | | | | | | | | | |
| Termn: | ---- | .250 | | | | | | | | | | | |
| WRF100 - Plug | | | | | | | | | | | Body Height = .430 | | |
| Style: | | | | | | | | JTB | | | | JTL | |
| Mating: | | | | | | | | .130 | | | | .130 | |
| Termn: | | | | | | | | .190 | | | | .705 | |
| WRTBT - Receptacle | | | | | | | | | | | Body Height = .525 | | |
| Style: | J | | SY | SY-* | | | JTA | JTB | JTD | JT | JTC | JTL | |
| Mating: | .130 | | .130 | .130 | | | .130 | .130 | .130 | .130 | .130 | .130 | |
| Termn: | ---- | | ---- | ---- | | | .175 | .175 | .205 | .475 | .500 | .675 | |
| PA - Receptacle | | | | | | | | | | | Body Height = .375 | | |
| Style: | SY | J | | | | | | JTB | | JT | | | |
| Mating: | .175 | .160 | | | | | | .175 | | .175 | | | |
| Termn: | .200 | .277 | | | | | | .314 | | 1.054 | | | |
| PA - Plug | | | | | | | | | | | Body Height = .375 | | |
| Style: | SY | J | | | | | | JTB | | JT | | JTL | |
| Mating: | .210 | .160 | | | | | | .160 | | .160 | | .175 | |
| Termn: | .273 | .277 | | | | | | .314 | | 1.054 | | 1.170 | |

Hardware Availability by Connector Series

| | | | | | | | | | | | | |
|--------------------------------------------------------------|------|------|------|------|--|--|------|------|------|---------------------------|------|------|
| WTK / WTDX - Plug or Receptacle | | | | | | | | | | Body Height = .585 | | |
| Style: | J | JL | SY | SY-* | | | JTA | JTB | JTD | JT | JTC | JTL |
| Mating: | .130 | .130 | .130 | .130 | | | .130 | .130 | .130 | .130 | .130 | .130 |
| Termn: | ---- | .247 | ---- | ---- | | | .200 | .200 | .230 | .500 | .500 | .700 |
| WTA59 | | | | | | | | | | Body Height = .285 | | |
| Style: | J | | | | | | JTA | JTB | | | | |
| Mating: | .130 | | | | | | .130 | .130 | | | | |
| Termn: | ---- | | | | | | .135 | .135 | | | | |
| WRBC - Receptacle | | | | | | | | | | Body Height = .530 | | |
| Style: | | SC | SC-* | | | | | | | | | |
| Mating: | | .145 | .145 | | | | | | | | | |
| Termn: | | ---- | ---- | | | | | | | | | |
| WRBC - Plug | | | | | | | | | | Body Height = .515 | | |
| Style: | | SC | SC-* | | | | | | | | | |
| Mating: | | .185 | .185 | | | | | | | | | |
| Termn: | | ---- | ---- | | | | | | | | | |
| WTB Coax - Receptacle | | | | | | | | | | Body Height = .335 | | |
| Style: | J | JL | SY | SY-* | | | JTA | JTB | | JT | | |
| Mating: | .130 | .130 | .130 | .130 | | | .130 | .130 | | .130 | | |
| Termn: | ---- | .247 | ---- | ---- | | | .200 | .200 | | .500 | | |
| WTB Coax - Plug | | | | | | | | | | Body Height = .400 | | |
| Style: | J | SY | SY-* | | | | JTA | JTB | | JT | | |
| Mating: | .130 | .130 | .130 | | | | .130 | .130 | | .130 | | |
| Termn: | ---- | ---- | ---- | | | | .135 | .135 | | .435 | | |
| WTB Coax - Receptacle with SC hardware (guide socket) | | | | | | | | | | Body Height = .335 | | |
| Style: | | | SC | SC-* | | | | | | | | |
| Mating: | | | .145 | .145 | | | | | | | | |
| Termn: | | | .040 | .040 | | | | | | | | |
| WTB Coax - Plug with SC hardware (guide pin) | | | | | | | | | | Body Height = .400 | | |
| Style: | | | SC | SC-* | | | | | | | | |
| Mating: | | | .185 | .185 | | | | | | | | |
| Termn: | | | ---- | ---- | | | | | | | | |
| WTB Coax - Receptacle with SC hardware (guide pin) | | | | | | | | | | Body Height = .335 | | |
| Style: | | | SC | SC-* | | | | | | | | |
| Mating: | | | .185 | .185 | | | | | | | | |
| Termn: | | | .040 | .040 | | | | | | | | |
| WTB Coax - Plug with SC hardware (guide socket) | | | | | | | | | | Body Height = .400 | | |
| Style: | | | SC | SC-* | | | | | | | | |
| Mating: | | | .145 | .145 | | | | | | | | |
| Termn: | | | ---- | ---- | | | | | | | | |



For optimum safety, use polarization number 1-6-11-16-17-22-27 or 32 when possible. These positions will exclude entry of guide pins at both ends of connectors when an attempt is made to mate incorrectly.

Select the appropriate two digit number above and include in the hardware code of the part number.

Example:
 Plug WTBSY-1
 Receptacle WTBSY-1

To order polarization guide set only, use p/n WTBSY-1. This set consists of one "D-shaped" guide pin, one "D-shaped" guide socket and two spanner nuts (#2-56 UNC thread).

WTBSY-0 is WTBSY-1 except guide set is assembled in connector with the "-1" configuration without applying Loctite.[®]

To change polarization position of guide sets, order spanner nut wrench, part number TN1680 or TN4612. See WA-9.

| SERIES | NO. OF CONTACTS | POLARIZED GUIDE SET CODE | POLAR. GUIDE SET ONLY |
|---------------|-----------------|------------------------------|-----------------------|
| WTB WG | 10 THRU 160 | SY-1 (EX. WTB70SACSY-1) | WTBSY-1 |
| WTB COAX TYPE | 20-3, 20-6 | SC-1 (EX. WTB20-6SACSC-1) | WTBSC-1 |
| WTK | 10 THRU 70 | SY-1 (EX. WTKA70SSY-1) | WTKSY-1 |

UNIVERSAL TEST CONNECTORS

The following test guide sets are designed to mate with any of several connectors having different polarization positions. Note that the square guide pin in test connector will enter the D-shaped socket in any of the four positions in which it may be installed. Likewise, the round guide socket in test connector will fit the D-shaped pin in any position.

- 65 For positions -1 thru -16
- 66 For positions -17 thru -32
- 67P For positions -33 thru -48
- 67R For positions -33 thru -48
- 68P For positions -49 thru -64
- 68R For positions -49 thru -64

When ordering -67 or -68 guide sets only, P (plug) or R (receptacle) must be noted. Ex: WTBSY-67R. Not required if guides are assembled in the connector. Ex: WTB70SACSY-67.

WTBSY-65, WTBSC-65 & WTKSY-65 is Universal Guide Set only, consisting of: one square guide pin
 one round guide socket
 two spanner nuts (#2-56 thd)

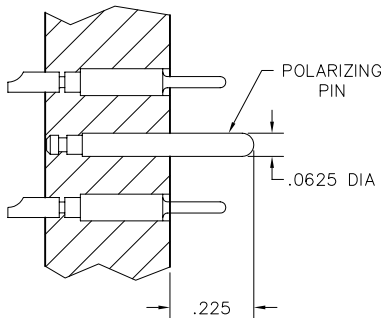
Polarization

Polarizing Pin Applications

PIN CONTACT

—STRAIGHT THRU—
CONNECTOR BODY

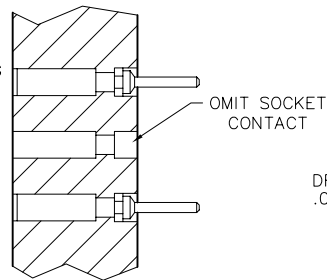
WT, WTA
WTAV, WTBV



WTA**PCJTA443-1, -2...

SOCKET CONTACT

WT, WTA, WTAX,
WTB, WTBX

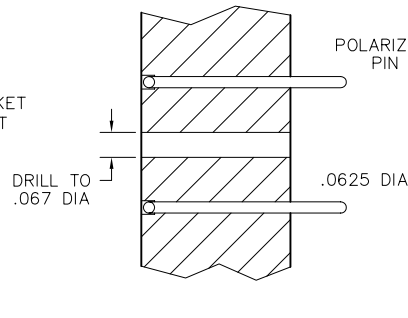


WTA**SAD9JL444-1, -2...

PIN CONTACT

—RIGHT ANGLE—
CONNECTOR BODY

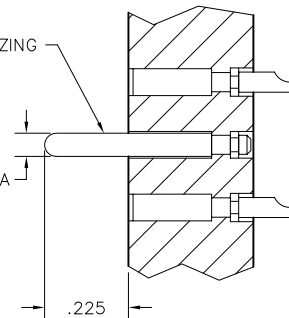
WG, WGA, WGE,
WT, WTB



WTB**PR7SY515-1, -2...

SOCKET CONTACT

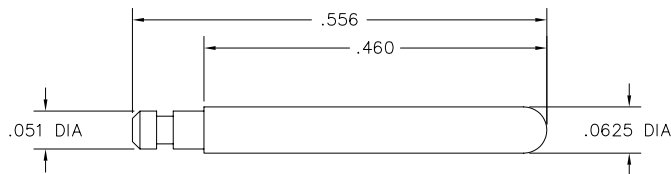
WG, WGA, WGE,
WT, WTA, WTAX,
WTB, WTDXA, WTKA



WTB**SACSY515-1, -2...

Notes:

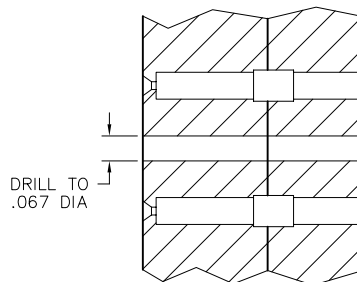
1. CODE 443 - Polarizing pin installed in contact position noted by dash number.
2. CODE 444 - Contact position noted by dash number is left open.
3. Either pin or socket contacts can be used with 443 or 444.
4. ** = connector size
5. For additional dimensions and other information, refer to catalog data sheet of specific connector.



STAINLESS STEEL
POLARIZING PIN

SOCKET CONTACT

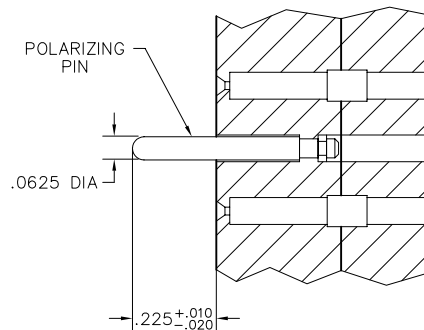
WTDXA, WTKA



WTDXA**SJT478-1, -2...
WTKA**SSY478-1, -2...

SOCKET CONTACT

WTDXA, WTKA



WTDXA**SJT515-1, -2...
WTKA**SSY515-1, -2...

MIL-C-55302/55 thru MIL-C-55302/57 Cross Reference Chart

| ## Indicates Number of Contacts: 10, 14, 20, 24, 26, 30, 36, 40, 44, 50, 54, 56, 60, 66 or 70 | | ## Indicates Number of Contacts: 10, 14, 20, 24, 26, 30, 36, 40, 44, 50, 54, 56, 60, 66 or 70 | |
|-------------------------------------------------------------------------------------------------------------------------|-----------------------------------------------------------------------------------|--------------------------------------------------------------------------------------------------|---------------------------------------------------------------------------------------------------------|
| MIL-C-55302/55 - Standard Insertion Force Contacts - or - MIL-C-55302/55L - Low Insertion Force Contacts | | MIL-C-55302/57 | |
| MIL Number | W Series | MIL Number | W Series |
| /55-A##L /55-A##M /55-A##S /55-A##H | WTA##SACJTL WTA##SACJT WTA##SACJTA WTA##SACJTB | /57A##X /57A##Y /57A##Y-2 thru -64 /57A##Y-0 /57A##S /57A##H | WTB##PR7SY WTB##PR7SY-1 WTB##PR7SY-2 thru -64 WTB##PR7SY-0 WTB##PR7JTA WTB##PR7JTB |
| /55-B##L /55-B##M /55-B##S /55-B##H | WTA##SAD9JTL WTA##SAD9JT WTA##SAD9JTA WTA##SAD9JTB | /57B##X /57B##Y /57B##Y-2 thru -64 /57B##Y-0 /57B##S /57B##H | WTB##PR9SY WTB##PR9SY-1 WTB##PR9SY-2 thru -64 WTB##PR9SY-0 WTB##PR9JTA WTB##PR9JTB |
| /55-C##L /55-C##M /55-C##S /55-C##H | WTA##SAD11JTL WTA##SAD11JT WTA##SAD11JTA WTA##SAD11JTB | /57C##X /57C##Y /57C##Y-2 thru -64 /57C##Y-0 /57C##S /57C##H | WTB##PR11SY WTB##PR11SY-1 WTB##PR11SY-2 thru -64 WTB##PR11SY-0 WTB##PR11JTA WTB##PR11JTB |
| /55-D##L /55-D##M /55-D##S /55-D##H | WTA##SAF3JTL WTA##SAF3JT WTA##SAF3JTA WTA##SAF3JTB | /57-01 | TN1680 Spanner Nut Wrench |
| /55-E##L /55-E##M /55-E##S /55-E##H | WTA##SAD15JTL WTA##SAD15JT WTA##SAD15JTA WTA##SAD15JTB | | |
| /55-F##L /55-F##M /55-F##S /55-F##H | WTA##SAF6JTL WTA##SAF6JT WTA##SAF6JTA WTA##SAF6JTB | | |
| MIL-C-55302/56 | | | |
| /56A## /56B## /56C## /56D## /56E## /56F## | WTA##PCJL WTA##PD9JL WTA##PD11JL WTA##PW40JL WTA##PF3JL WTA##PF6JL | | |

| ## Indicates Number of Contacts: 10, 14, 20, 24, 26, 30, 36, 40, 44, 50, 54, 56, 60, 66 or 70 | | ## Indicates Number of Contacts: 10, 14, 20, 24, 26, 30, 36, 40, 44, 50, 54, 56, 60, 66 or 70 | |
|----------------------------------------------------------------------------------------------------------------|------------------------------------------------------------------------------------------------------------------------------|--------------------------------------------------------------------------------------------------|------------------------------------------------------------------------------------------------------------------------------|
| MIL-C-55302/58 - Standard Insertion Force Contacts - or - MIL-C-55302/58L - Low Insertion Force Contacts | | MIL-C-55302/58 | |
| MIL Number | W Series | MIL Number | W Series |
| /58-A##X /58-A##Y /58-A##Y-2 thru -64 /58-A##Y-0 /58-A##F /58-A##S /58-A##H | WTB##SACSY WTB##SACSY-1 WTB##SACSY-2 thru -64 WTB##SACSY-0 WTB##SACJ WTB##SACJTA WTB##SACJTB | /58-H##X /58-H##Y /58-H##Y-2 thru -64 /58-H##Y-0 /58-H##F /58-H##S /58-H##H | WTB##SAF6SY WTB##SAF6SY-1 WTB##SAF6SY-2 thru -64 WTB##SAF6SY-0 WTB##SAF6J WTB##SAF6JTA WTB##SAF6JTB |
| /58-B##X /58-B##Y /58-B##Y-2 thru -64 /58-B##Y-0 /58-B##F /58-B##S /58-B##H | WTB##SAD9SY WTB##SAD9SY-1 WTB##SAD9SY-2 thru -64 WTB##SAD9SY-0 WTB##SAD9J WTB##SAD9JTA WTB##SAD9JTB | /59 ### Indicates Number of Contacts: 90, 100 or 120 | |
| /58-C##X /58-C##Y /58-C##Y-2 thru -64 /58-C##Y-0 /58-C##F /58-C##S /58-C##H | WTB##SAD11SY WTB##SAD11SY-1 WTB##SAD11SY-2 thru -64 WTB##SAD11SY-0 WTB##SAD11J WTB##SAD11JTA WTB##SAD11JTB | /59A###X /59A###Y /59A###Y-2 thru -64 /59A###Y-0 /59A###F /59A###S /59A###H | WTB###PR7SY WTB###PR7SY-1 WTB###PR7SY-2 thru -64 WTB###PR7SY-0 WTB###PR7J WTB###PR7JTA WTB###PR7JTB |
| /58-D##X /58-D##Y /58-D##Y-2 thru -64 /58-D##Y-0 /58-D##F /58-D##S /58-D##H | WTB##SAW40SY WTB##SAW40SY-1 WTB##SAW40SY-2 thru -64 WTB##SAW40SY-0 WTB##SAW40J WTB##SAW40JTA WTB##SAW40JTB | /59B###X /59B###Y /59B###Y-2 thru -64 /59B###Y-0 /59B###F /59B###S /59B###H | WTB###PR9SY WTB###PR9SY-1 WTB###PR9SY-2 thru -64 WTB###PR9SY-0 WTB###PR9J WTB###PR9JTA WTB###PR9JTB |
| /58-E##X /58-E##Y /58-E##Y-2 thru -64 /58-E##Y-0 /58-E##F /58-E##S /58-E##H | WTB##SAF3SY WTB##SAF3SY-1 WTB##SAF3SY-2 thru -64 WTB##SAF3SY-0 WTB##SAF3J WTB##SAF3JTA WTB##SAF3JTB | /59C###X /59C###Y /59C###Y-2 thru -64 /59C###Y-0 /59C###F /59C###S /59C###H | WTB###PR11SY WTB###PR11SY-1 WTB###PR11SY-2 thru -64 WTB###PR11SY-0 WTB###PR11J WTB###PR11JTA WTB###PR11JTB |
| /58-F##X /58-F##Y /58-F##Y-2 thru -64 /58-F##Y-0 /58-F##F /58-F##S /58-F##H | WTB##SAD15SY WTB##SAD15SY-1 WTB##SAD15SY-2 thru -64 WTB##SAD15SY-0 WTB##SAD15J WTB##SAD15JTA WTB##SAD15JTB | | |

| ## Indicates Number of Contacts: 90, 100 or 120 | | ## Indicates Number of Contacts: 10, 14, 20, 24, 26, 30, 36, 40, 44, 50, 54, 56, 60, 66 or 70 | |
|-------------------------------------------------------------------------------------------------------------------------|-------------------------------------------------------------------------------------------------------------------------------------|------------------------------------------------------------------------------------------------------------------------------------------------------------------------------------------------------------------------------------------------------------------------------------------------------------------|-------------------------------------------------------------------------------------------------------------------------------------------------------------------------------------------------------------------------------------------------------------------------------------------------------------------------------------------------------------------------------------------------------------------------------------------------------------------------------------------------------------------------|
| MIL-C-55302/60 - Standard Insertion Force Contacts - or - MIL-C-55302/60L - Low Insertion Force Contacts | | MIL-C-55302/62 | |
| MIL Number | W Series | MIL Number | W Series |
| /60-A###X /60-A###Y /60-A###Y-2 thru -64 /60-A###Y-0 /60-A###F /60-A###S /60-A###H | WTB###SACSY WTB###SACSY-1 WTB###SACSY-2 thru -64 WTB###SACSY-0 WTB###SACJ WTB###SACJTA WTB###SACJTB | /62-A##L /62-A##M /62-A##S /62-A##H /62-B##L /62-B##M /62-B##S /62-B##H /62-C##L /62-C##M /62-C##S /62-C##H /62-D##L /62-D##M /62-D##S /62-D##H /62-E##L /62-E##M /62-E##S /62-E##H /62-F##L /62-F##M /62-F##S /62-F##H | WTAX##SACJTL WTAX##SACJT WTAX##SACJTA WTAX##SACJTB WTAX##SAD9JTL WTAX##SAD9JT WTAX##SAD9JTA WTAX##SAD9JTB WTAX##SAD11JTL WTAX##SAD11JT WTAX##SAD11JTA WTAX##SAD11JTB WTAX##SAF3JTL WTAX##SAF3JT WTAX##SAF3JTA WTAX##SAF3JTB WTAX##SAD15JTL WTAX##SAD15JT WTAX##SAD15JTA WTAX##SAD15JTB WTA##PCJTL WTA##PCJT WTA##PCJTA WTA##PCJTB WTAV##PCJL WTAV##PCSYL WTAV##PCSYL-1 WTAV##PCSYL-2 thru -64 WTAV##PCSYL-0 |
| /60-B###X /60-B###Y /60-B###Y-2 thru -64 /60-B###Y-0 /60-B###F /60-B###S /60-B###H | WTB###SAD9SY WTB###SAD9SY-1 WTB###SAD9SY-2 thru -64 WTB###SAD9SY-0 WTB###SAD9J WTB###SAD9JTA WTB###SAD9JTB | | |
| /60-C###X /60-C###Y /60-C###Y-2 thru -64 /60-C###Y-0 /60-C###F /60-C###S /60-C###H | WTB###SAD11SY WTB###SAD11SY-1 WTB###SAD11SY-2 thru -64 WTB###SAD11SY-0 WTB###SAD11J WTB###SAD11JTA WTB###SAD11JTB | | |
| /60-D###X /60-D###Y /60-D###Y-2 thru -64 /60-D###Y-0 /60-D###F /60-D###S /60-D###H | WTB###SAW40SY WTB###SAW40SY-1 WTB###SAW40SY-2 thru -64 WTB###SAW40SY-0 WTB###SAW40J WTB###SAW40JTA WTB###SAW40JTB | | |
| /60-E###X /60-E###Y /60-E###Y-2 thru -64 /60-E###Y-0 /60-E###F /60-E###S /60-E###H | WTB###SAD15SY WTB###SAD15SY-1 WTB###SAD15SY-2 thru -64 WTB###SAD15SY-0 WTB###SAD15J WTB###SAD15JTA WTB###SAD15JTB | | |
| ## Indicates Number of Contacts: 10, 14, 20, 24, 26, 30, 36, 40, 44, 50, 54, 56, 60, 66 or 70 | | MIL-C-55302/63 | |
| MIL-C-55302/61 | | | |
| /61A## /61B## /61C## | WTB##PR7J WTB##PR9J WTB##PR11J | | |

| ## Indicates Number of Contacts: 10, 14, 20, 24, 26, 30, 36, 40, 44, 50, 54, 56, 60, 66 or 70 | | ## Indicates Number of Contacts: 10, 14, 20, 24, 26, 30, 36, 40, 44, 50, 54, 56, 60, 66 or 70 | |
|--------------------------------------------------------------------------------------------------|---------------------------------------------------------------------------------|-------------------------------------------------------------------------------------------------------------------------|-----------------------------------------------------------------------------------------------------|
| MIL-C-55302/63 | | MIL-C-55302/64 - Standard Insertion Force Contacts - or - MIL-C-55302/64L - Low Insertion Force Contacts | |
| MIL Number | W Series | MIL Number | W Series |
| /63B##L /63B##M /63B##S /63B##H /63B##F | WTA##PD9JTL WTA##PD9JT WTA##PD9JTA WTA##PD9JTB WTAV##PD9JL | /64-A##F /64-A##X /64-A##Y /64-A##Y-2 thru -64 /64-A##Y-0 | WTA##SACJL WTAX##SACSYL WTAX##SACSYL-1 WTAX##SACSYL-2 thru -64 WTAX##SACSYL-0 |
| /63B##X /63B##Y /63B##Y-2 thru -64 /63B##Y-0 | WTAV##PD9SYL WTAV##PD9SYL-1 WTAV##PD9SYL-2 thru -64 WTAV##PD9SYL-0 | /64-B##F /64-B##X /64-B##Y /64-B##Y-2 thru -64 /64-B##Y-0 | WTA##SAD9JL WTAX##SAD9SYL WTAX##SAD9SYL-1 WTAX##SAD9SYL-2 thru -64 WTAX##SAD9SYL-0 |
| /63C##L /63C##M /63C##S /63C##H /63C##F | WTA##PD11JTL WTA##PD11JT WTA##PD11JTA WTA##PD11JTB WTAV##PD11JL | /64-C##F /64-C##X /64-C##Y /64-C##Y-2 thru -64 /64-C##Y-0 | WTA##SAD11JL WTAX##SAD11SYL WTAX##SAD11SYL-1 WTAX##SAD11SYL-2 thru -64 WTAX##SAD11SYL-0 |
| /63C##X /63C##Y /63C##Y-2 thru -64 /63C##Y-0 | WTAV##PD11SYL WTAV##PD11SYL-1 WTAV##PD11SYL-2 thru -64 WTAV##PD11SYL-0 | /64-D##F /64-D##X /64-D##Y /64-D##Y-2 thru -64 /64-D##Y-0 | WTA##SAW40JL WTAX##SAW40SYL WTAX##SAW40SYL-1 WTAX##SAW40SYL-2 thru -64 WTAX##SAW40SYL-0 |
| /63D##L /63D##M /63D##S /63D##H /63D##F | WTA##PF3JTL WTA##PF3JT WTA##PF3JTA WTA##PF3JTB WTAV##PF3JL | /64-E##F /64-E##X /64-E##Y /64-E##Y-2 thru -64 /64-E##Y-0 | WTA##SAF3JL WTAX##SAF3SYL WTAX##SAF3SYL-1 WTAX##SAF3SYL-2 thru -64 WTAX##SAF3SYL-0 |
| /63D##X /63D##Y /63D##Y-2 thru -64 /63D##Y-0 | WTAV##PF3SYL WTAV##PF3SYL-1 WTAV##PF3SYL-2 thru -64 WTAV##PF3SYL-0 | /64-F##F /64-F##X /64-F##Y /64-F##Y-2 thru -64 /64-F##Y-0 | WTA##SAF6JL WTAX##SAF6SYL WTAX##SAF6SYL-1 WTAX##SAF6SYL-2 thru -64 WTAX##SAF6SYL-0 |
| /63E##L /63E##M /63E##S /63E##H /63E##F | WTA##PF6JTL WTA##PF6JT WTA##PF6JTA WTA##PF6JTB WTAV##PF6JL | | |
| /63E##X /63E##Y /63E##Y-2 thru -64 /63E##Y-0 | WTAV##PF6SYL WTAV##PF6SYL-1 WTAV##PF6SYL-2 thru -64 WTAV##PF6SYL-0 | | |

| ## Indicates Number of Contacts: 10, 14, 20, 24, 26, 30, 36, 40, 44, 50, 54, 56, 60, 66 or 70 | | Number of Contacts: 160 | |
|------------------------------------------------------------------------------------------------------------------------------------------|-----------------------------------------------------------------------------------------------------------------------|------------------------------------------------------------------------------------------------------|------------------------------------------------------------------------------------------------------------------------------|
| MIL-C-55302/65 and /66 - Standard Insertion Force Contacts - or - MIL-C-55302/65L and /66L - Low Insertion Force Contacts | | MIL-C-55302/139 | |
| MIL Number | W Series | MIL Number | W Series |
| /65-##X /65-##Y /65-##Y-2 thru -64 /65-##Y-0 /65-##F /65-##S /65-##H | WTKA##SASY WTKA##SASY-1 WTKA##SASY-2 thru -64 WTKA##SASY-0 WTKA##SAJ WTKA##SAJTA WTKA##SAJTB | /139B160X /139B160Y /139B160Y-2 thru -64 /139B160Y-0 /139B160F /139B160S /139B160H | WG160SAD7SY WG160SAD7SY-1 WG160SAD7SY-2 thru -64 WG160SAD7SY-0 WG160SAD7J WG160SAD7JTA WG160SAD7JTB |
| /65-01 Crimp Contact /65-02 Crimp Contact /66-##L /66-##M /66-##S /66-##F /66-##H | WTK2222S WTK2222SA Low Force Socket WTDXA##SAJTL WTDXA##SAJT WTDXA##SAJTA WTDXA##SAJ WTDXA##SAJTB | /139C160X /139C160Y /139C160Y-2 thru -64 /139C160Y-0 /139C160F /139C160S /139C160H | WG160SAD9SY WG160SAD9SY-1 WG160SAD9SY-2 thru -64 WG160SAD9SY-0 WG160SAD9J WG160SAD9JTA WG160SAD9JTB |
| MIL-C-55302/138 | | Number of Contacts: 160 | |
| /138A160X /138A160Y /138A160Y-2 thru -64 /138A160Y-0 /138A160F /138A160S /138A160H | WG160PR7SY WG160PR7SY-1 WG160PR7SY-2 thru -64 WG160PR7SY-0 WG160PR7J WG160PR7JTA WG160PR7JTB | /139D160X /139D160Y /139D160Y-2 thru -64 /139D160Y-0 /139D160F /139D160S /139D160H | WG160SAW40SY WG160SAW40SY-1 WG160SAW40SY-2 thru -64 WG160SAW40SY-0 WG160SAW40J WG160SAW40JTA WG160SAW40JTB |
| /138B160X /138B160Y /138B160Y-2 thru -64 /138B160Y-0 /138B160F /138B160S /138B160H | WG160PR9SY WG160PR9SY-1 WG160PR9SY-2 thru -64 WG160PR9SY-0 WG160PR9J WG160PR9JTA WG160PR9JTB | /139E160X /139E160Y /139E160Y-2 thru -64 /139E160Y-0 /139E160F /139E160S /139E160H | WG160SAD11SY WG160SAD11SY-1 WG160SAD11SY-2 thru -64 WG160SAD11SY-0 WG160SAD11J WG160SAD11JTA WG160SAD11JTB |
| /138C160X /138C160Y /138C160Y-2 thru -64 /138C160Y-0 /138C160F /138C160S /138C160H | WG160PR11SY WG160PR11SY-1 WG160PR11SY-2 thru -64 WG160PR11SY-0 WG160PR11J WG160PR11JTA WG160PR11JTB | /139F160X /139F160Y /139F160Y-2 thru -64 /139F160Y-0 /139F160F /139F160S /139F160H | WG160SAF3SY WG160SAF3SY-1 WG160SAF3SY-2 thru -64 WG160SAF3SY-0 WG160SAF3J WG160SAF3JTA WG160SAF3JTB |
| MIL-C-55302/139 | | Number of Contacts: 160 | |
| /139A160X /139A160Y /139A160Y-2 thru -64 /139A160Y-0 /139A160F /139A160S /139A160H | WG160SACSY WG160SACSY-1 WG160SACSY-2 thru -64 WG160SACSY-0 WG160SACJ WG160SACJTA WG160SACJTB | /139H160X /139H160Y /139H160Y-2 thru -64 /139H160Y-0 /139H160F /139H160S /139H160H | WG160SAF6SY WG160SAF6SY-1 WG160SAF6SY-2 thru -64 WG160SAF6SY-0 WG160SAF6J WG160SAF6JTA WG160SAF6JTB |

"WB" SERIES - .050"
MIL-C-55302



Contents

"WB" Series

.050" Rectangular Plastic Board Level Connectors

| | |
|-------|------------------------------------------------------------------|
| WB-1 | Contents |
| WB-2 | Specifications |
| WB-3 | Performance |
| WB-4 | Part number description |
| | 2-Row Connectors - PC Card or SMT to Board, Sizes: 20-132 |
| WB-5 | WB Plug, right angle, with mounting ears |
| | WB Receptacle, straight, with mounting ears |
| WB-7 | WBB, WBA Plug, straight, surface mount, with mounting ears |
| | WB Receptacle, straight, with mounting ears |
| WB-9 | Hardware |
| WB-10 | WB Board layout - plug, right angle |
| WB-11 | WB Board layout - receptacle, straight |
| WB-12 | WBB, WBA Board layout - plug, straight, surface mount |
| | Military Cross Reference |
| WB-13 | Chart |

Specifications

Materials and Finishes *

| | |
|---------------------------|-----------------------------------------------------------------------------------------------------------------|
| Pin Contacts: | Phosphor Bronze per ASTM B 139 |
| Socket Contacts: | BeCu per MIL-C-55302 |
| Contact Finish: | Au per ASTM B 488-, SAE AMS 2422. Localized finish over MIL-C-55302 |
| Molded Insulators: | Glass filled polyphenylene sulfide per MIL-M-24519, Type GST-40F |
| Keying Features: | Polarized octagonal guides can be a molded integral part of the insulator or separate stainless steel hardware. |
| Tolerances: | Unless otherwise specified: Fractions = $\pm 1/64$ " Decimals = ± 0.010 " Angles = $\pm 5^\circ$ |

Note: AirBorn can manufacture special configurations for your exact specifications.

* = Reference the above listed specifications or an equivalent industry standard when applicable



Performance Reference MIL-C-55302

| | |
|----------------------------------|------------------------------------------------------------------------------------|
| Contact Rating: | 1.5 amperes |
| Solderability: | Tested to MIL-STD-202, Method 208 |
| Operating Temperature: | -65° to +125° C or -85° to +257° F |
| Contact Engagement Force: | 2.0 oz. maximum with .0189/.0190 diameter test pin in accordance with SAE AS 31971 |
| Contact Separation Force: | .10 oz. maximum with .0169/.0170 diameter test pin in accordance with SAE AS 31971 |

| <u>Category:</u> | <u>Requirements:</u> | <u>Test Method Per:</u> <u>SAE AS 13441</u> |
|-------------------------------|------------------------------------------------------------------|------------------------------------------------|
| Test Voltage: | 600 V, RMS, 60 Hz @ sea level 150 V, RMS, 60 Hz @ 70,000 feet | #3001 |
| Insulation Resistance: | 5,000 megohms minimum @ 500 VDC | #3003 |
| Durability: | 500 connector mating cycles | |
| Contact Resistance: | .0375 volt maximum drop @ 1.5 amperes - (.025 ohms) | #3004 |
| Contact Resistance: | .0375 volt maximum drop @ 1.5 amperes - | |

Part Number Description

Each part number consists of four elements: series, size (number of contacts), type of contacts, and type of hardware.

Each catalog page shows the choices available for each of these elements. By selecting one option from each category on the page, you can build a set of connectors to meet your requirements.

Each part number is identified by a combination of letters and/or numbers of varying lengths. These numbers are written together without spaces or punctuation.

Series:

The series letters identify the connector body style. Follow choices on each catalog page for series numbers.

Size:

The size is determined by the number of contacts in the connector, and is an integral part of the part number. Order only sizes shown on the catalog page unless otherwise noted.

Contacts:

Each page also identifies all contact options for a given connector.

Hardware:

Hardware options are shown on each catalog page. Follow the choices for each connector.

Note:

Each page is as comprehensive as possible. However, if you do not find a particular connector size or option, please contact the factory for further assistance.

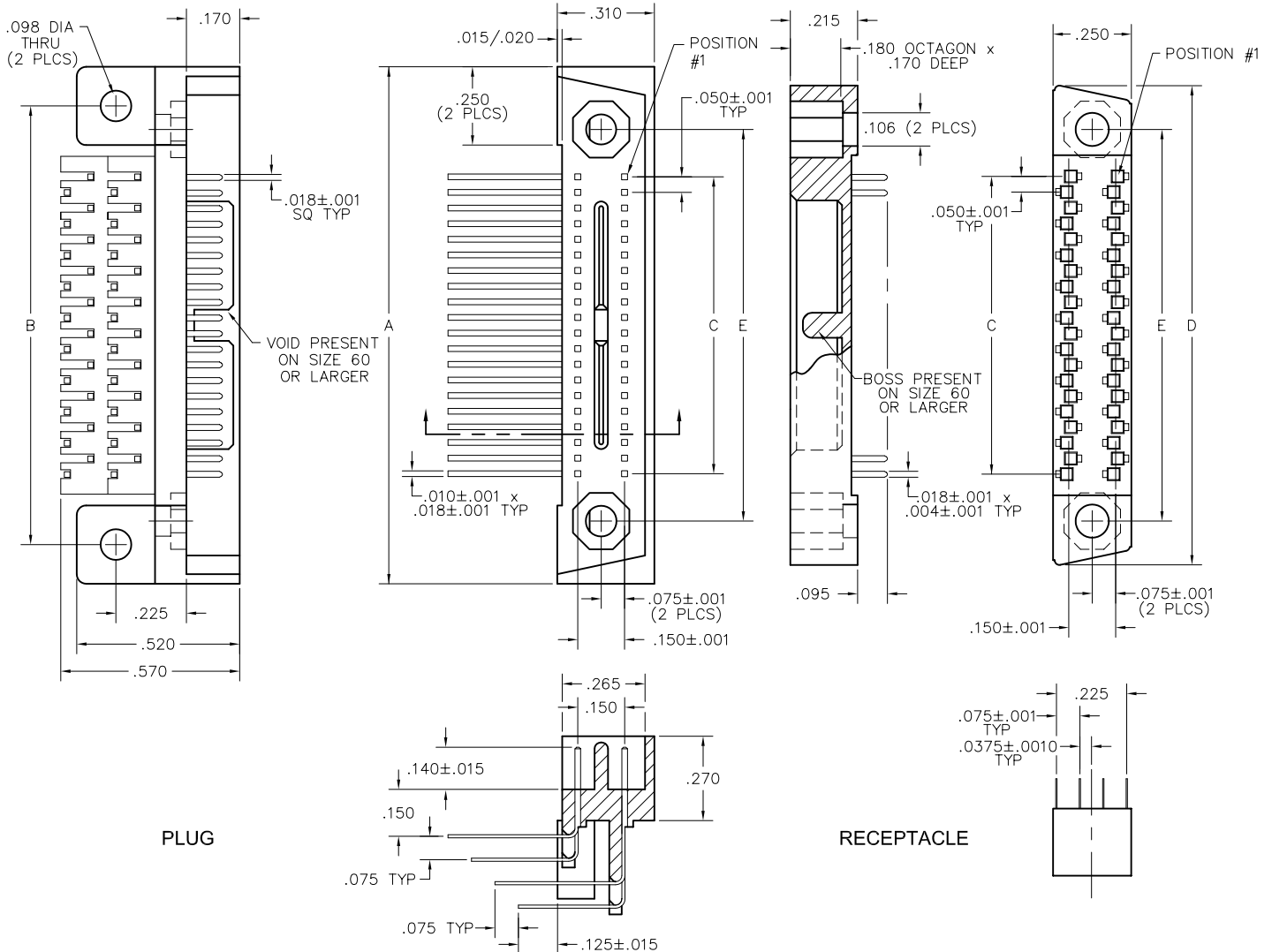
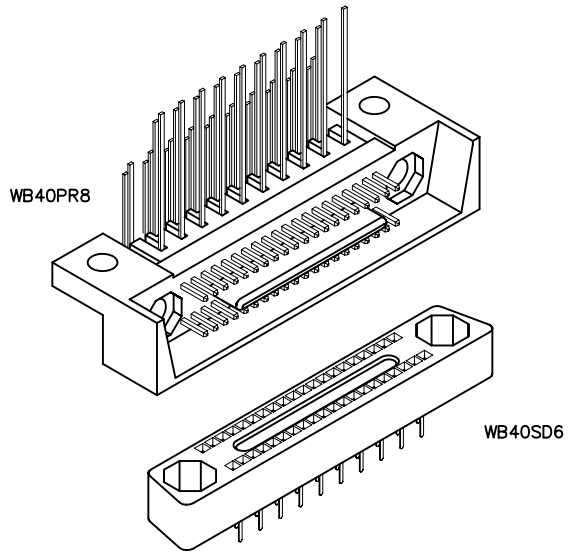


2 · ROW PC Card to Chassis or Board

.050"

WB - WB

20 thru 132 Contacts



PLUG: WB40PR8
 RECEPTACLE: WB40SD6
 XXXXXXXXXXXX

| PLUG | SERIES | RECEPTACLE |
|---------------------------------------------------------------------------------------------------------------------------------------------------------------------|--------|-----------------------------------------------------------------------------------------------------------------------------------------------------------------------------------------------------------|
| WB 2 row, right angle, plug, with mounting ears | | WB 2 row, straight, receptacle, with mounting ears |
| SIZE | | |
| 20, 30, 40, 50, 60, 70, 80, 90, 100, 110, 128, 132 | | 20, 30, 40, 50, 60, 70, 80, 90, 100, 110, 128, 132 |
| CONTACTS | | |
| TYPE CONTACTS/TERMINATIONS: PR8 Pin, right angle, dip solder, .125" | | TYPE CONTACTS/TERMINATIONS: SD6 Socket, straight, dip solder, .095" SD9 Socket, straight, dip solder, .140" SD12 Socket, straight, dip solder, .190" SD19 Socket, straight, dip solder, .300" |
| HARDWARE | | |
| STYLE OF HARDWARE: (See WB-9) K*_* Integral keying guides, polarized KY*_* Stainless steel keying guides, polarized JMM 2 stainless steel fixed jackscrews | | STYLE OF HARDWARE: (See WB-9) K*_* Integral keying guides, polarized KY*_* Stainless steel keying guides, polarized JTFF 2 stainless steel turning jackscrews |

| DIMENSIONS | | | | | |
|------------|-------|-------|-------|-------|-------|
| SIZE | A | B | C | D | E |
| 20 | 1.150 | .900 | .450 | 1.030 | .750 |
| 30 | 1.400 | 1.150 | .700 | 1.280 | 1.000 |
| 40 | 1.650 | 1.400 | .950 | 1.530 | 1.250 |
| 50 | 1.900 | 1.650 | 1.200 | 1.780 | 1.500 |
| 60 | 2.150 | 1.900 | 1.450 | 2.030 | 1.750 |
| 70 | 2.400 | 2.150 | 1.700 | 2.280 | 2.000 |
| 80 | 2.650 | 2.400 | 1.950 | 2.530 | 2.250 |
| 90 | 2.900 | 2.650 | 2.200 | 2.780 | 2.500 |
| 100 | 3.150 | 2.900 | 2.450 | 3.030 | 2.750 |
| 110 | 3.400 | 3.150 | 2.700 | 3.280 | 3.000 |
| 128 | 3.850 | 3.600 | 3.150 | 3.730 | 3.450 |
| 132 | 3.950 | 3.700 | 3.250 | 3.830 | 3.550 |



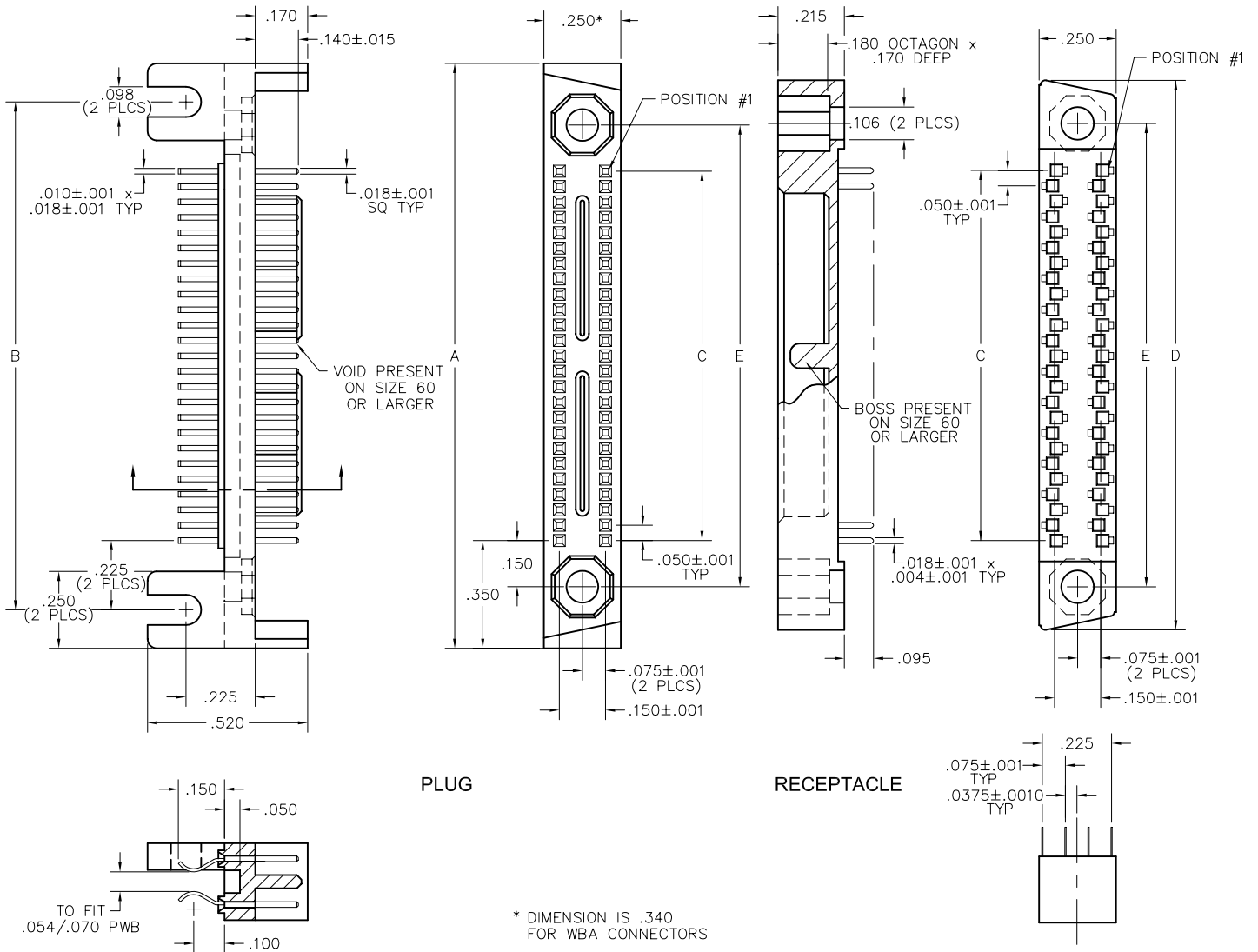
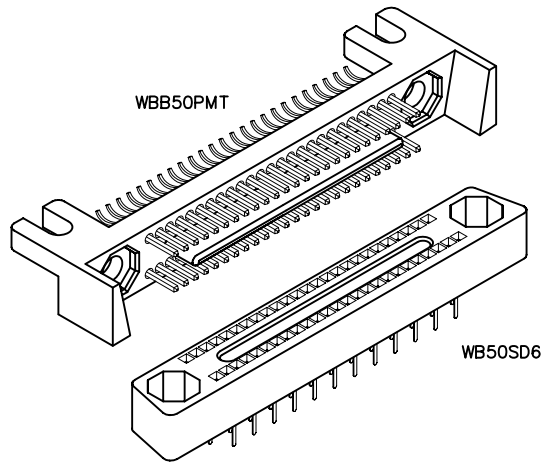
2 · ROW SMT Card to Chassis or Board

.050"

WBB - WB

WBA - WB

20 thru 132 Contacts



PLUG: WBB50PMT
 RECEPTACLE: WB50SD6
 XXXXXXXXXXXXX

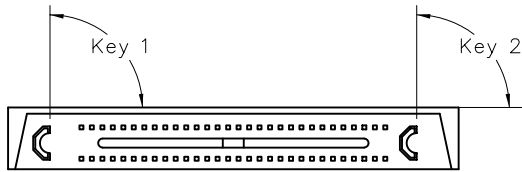
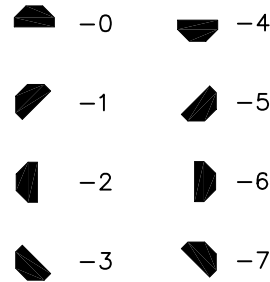
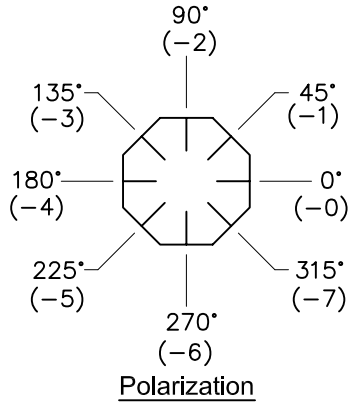
| PLUG | | RECEPTACLE | |
|----------------------------------------------------|------------------------------------------------------|----------------------------------------------------|--|
| SERIES | | | |
| WBB 2 row, SMT, plug, with mounting ears | WBA 2 row, SMT, plug, full skirt, with mounting ears | WB 2 row, straight, receptacle, with mounting ears | |
| SIZE | | | |
| 20, 30, 40, 50, 60, 70, 80, 90, 100, 110, 128, 132 | | 20, 30, 40, 50, 60, 70, 80, 90, 100, 110, 128, 132 | |
| CONTACTS | | | |
| TYPE CONTACTS/TERMINATIONS: | | TYPE CONTACTS/TERMINATIONS: | |
| PMT Pin, card edge SMT (Board: .054/.070) | | SD6 Socket, straight, dip solder, .095" | |
| | | SD9 Socket, straight, dip solder, .140" | |
| | | SD12 Socket, straight, dip solder, .190" | |
| | | SD19 Socket, straight, dip solder, .300" | |
| HARDWARE | | | |
| STYLE OF HARDWARE: (See WB-9) | | STYLE OF HARDWARE: (See WB-9) | |
| K*_* Integral keying guides, polarized | | K*_* Integral keying guides, polarized | |
| KY*_* Stainless steel keying guides, polarized | | KY*_* Stainless steel keying guides, polarized | |
| JMM 2 stainless steel fixed jackscrews | | JTFF 2 stainless steel turning jackscrews | |

| DIMENSIONS | | | | | |
|------------|-------|-------|-------|-------|-------|
| SIZE | A | B | C | D | E |
| 20 | 1.150 | .900 | .450 | 1.030 | .750 |
| 30 | 1.400 | 1.150 | .700 | 1.280 | 1.000 |
| 40 | 1.650 | 1.400 | .950 | 1.530 | 1.250 |
| 50 | 1.900 | 1.650 | 1.200 | 1.780 | 1.500 |
| 60 | 2.150 | 1.900 | 1.450 | 2.030 | 1.750 |
| 70 | 2.400 | 2.150 | 1.700 | 2.280 | 2.000 |
| 80 | 2.650 | 2.400 | 1.950 | 2.530 | 2.250 |
| 90 | 2.900 | 2.650 | 2.200 | 2.780 | 2.500 |
| 100 | 3.150 | 2.900 | 2.450 | 3.030 | 2.750 |
| 110 | 3.400 | 3.150 | 2.700 | 3.280 | 3.000 |
| 128 | 3.850 | 3.600 | 3.150 | 3.730 | 3.450 |
| 132 | 3.950 | 3.700 | 3.250 | 3.830 | 3.550 |

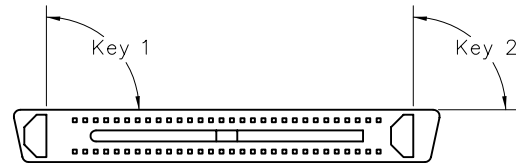
Hardware

Polarization

Integral Keying Guides



Example: WB**PR8K2-2
(Plug)

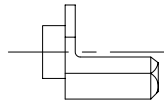


Example: WB**SD6K2-2
(Receptacle)

- Notes:
1. Each "dash" number represents 45° clocking from horizontal (0°).
 2. The first number designates "Key 1", the second number designates "Key 2".

Hardware Options:

Hardware Style: KY* - *



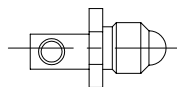
Stainless Steel Polarized Guide

| Plug | Mates with | Receptacle | Plug | Mates with | Receptacle |
|------|------------|------------|------|------------|------------|
| -0 | | -0 | -4 | | -4 |
| -1 | | -7 | -5 | | -3 |
| -2 | | -6 | -6 | | -2 |
| -3 | | -5 | -7 | | -1 |

Hardware Style: JMM
(Plug only)



Groove Pin

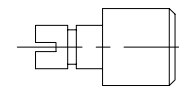


Fixed Jackscrew
(#4-40 UNC-2A)

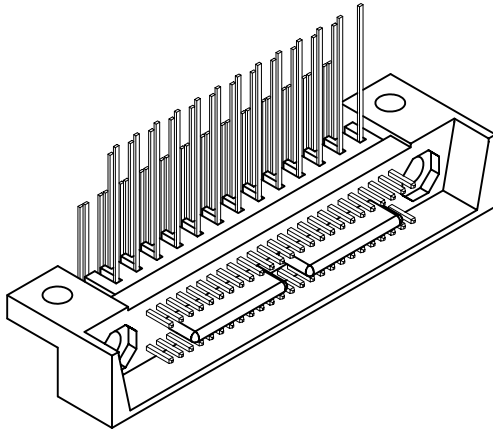
Hardware Style: JTFF
(Receptacle only)



E-Ring



Turning Jacksocket



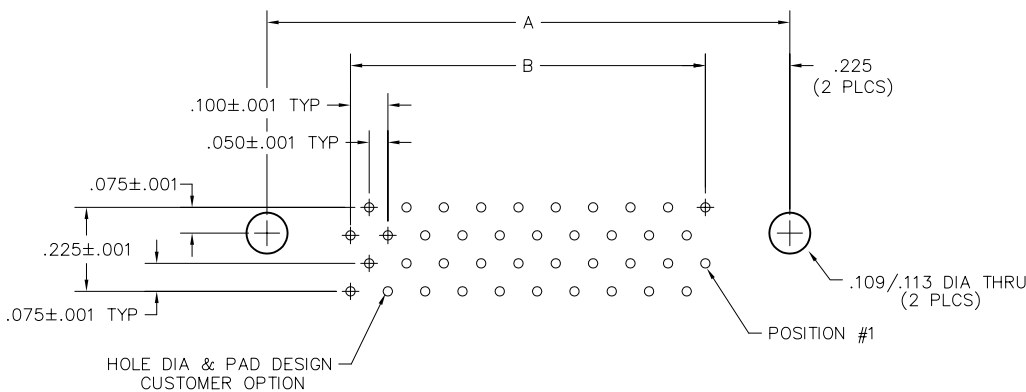
2 • ROW Right Angle PTH Plug

.050"

WB

20 thru 132 Contacts

Recommended
Board Layout



| DIMENSIONS | | |
|------------|-------|-------|
| SIZE | A | B |
| 20 | .900 | .450 |
| 30 | 1.150 | .700 |
| 40 | 1.400 | .950 |
| 50 | 1.650 | 1.200 |
| 60 | 1.900 | 1.450 |
| 70 | 2.150 | 1.700 |
| 80 | 2.400 | 1.950 |
| 90 | 2.650 | 2.200 |
| 100 | 2.900 | 2.450 |
| 110 | 3.150 | 2.700 |
| 128 | 3.600 | 3.150 |
| 132 | 3.700 | 3.250 |

RIGHT ANGLE PTH PLUG
PC BOARD VIEWED FROM COMPONENT SIDE

| SIZE | CONTACT ID | SIZE | CONTACT ID | SIZE | CONTACT ID |
|------|-------------------------|------|------------|------|------------|
| 20 | 19 17 15 13 11 | 60 | 59 57 | 100 | 99 97 |
| | 20 18 16 14 12 | | 33 31 | | 53 51 |
| 30 | 9 7 5 3 1 | 70 | 60 58 | 110 | 100 98 |
| | 10 8 6 4 2 | | 34 32 | | 54 52 |
| 40 | 30 28 26 24 22 20 18 16 | 80 | 29 27 | 128 | 3 1 |
| | 15 13 11 9 7 5 3 1 | | 30 28 | | 4 2 |
| 50 | 14 12 10 8 6 4 2 | 90 | 70 68 | 132 | 50 48 |
| | 39 37 | | 38 36 | | 53 51 |
| 60 | 40 38 | 100 | 69 67 | 110 | 110 108 |
| | 19 17 | | 39 37 | | 58 56 |
| 70 | 20 18 | 110 | 35 33 | 128 | 109 107 |
| | 4 2 | | 3 1 | | 59 57 |
| 80 | 3 1 | 128 | 34 32 | 132 | 3 1 |
| | 4 2 | | 4 2 | | 4 2 |
| 90 | 4 2 | 132 | 79 77 | 100 | 127 125 |
| | 4 2 | | 43 41 | | 67 65 |
| 100 | 4 2 | 110 | 80 78 | 128 | 128 126 |
| | 4 2 | | 44 42 | | 68 66 |
| 110 | 4 2 | 128 | 39 37 | 132 | 3 1 |
| | 4 2 | | 3 1 | | 3 1 |
| 128 | 4 2 | 132 | 40 38 | 100 | 4 2 |
| | 4 2 | | 4 2 | | 4 2 |
| 132 | 4 2 | 100 | 90 88 | 110 | 48 46 |
| | 4 2 | | 89 87 | | 49 47 |
| 132 | 4 2 | 110 | 45 43 | 128 | 69 67 |
| | 4 2 | | 44 42 | | 70 68 |
| 132 | 4 2 | 128 | 44 42 | 132 | 3 1 |
| | 4 2 | | 4 2 | | 4 2 |



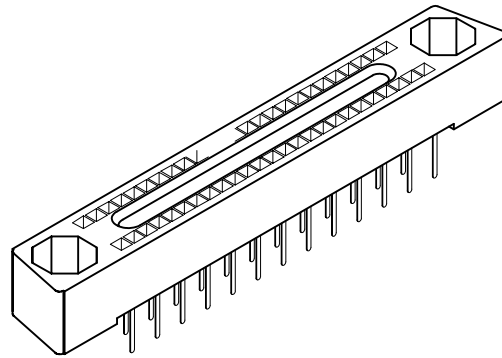
2 • ROW Straight PTH Rcpt

.050"

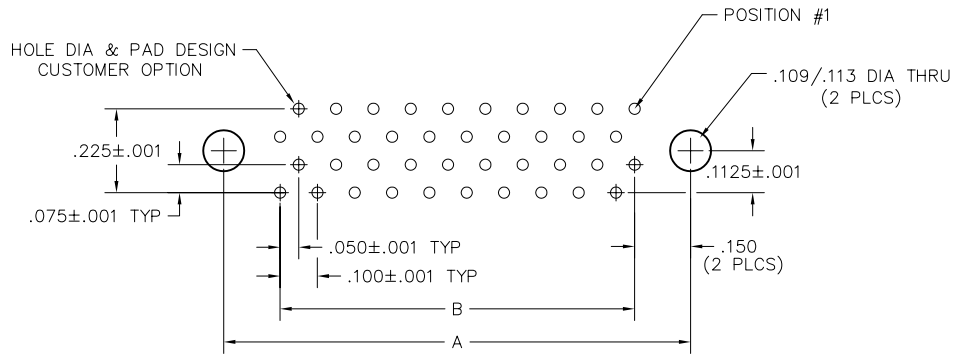
WB

20 thru 132 Contacts

Recommended
Board Layout



| DIMENSIONS | | |
|------------|-------|-------|
| SIZE | A | B |
| 20 | .750 | .450 |
| 30 | 1.000 | .700 |
| 40 | 1.250 | .950 |
| 50 | 1.500 | 1.200 |
| 60 | 1.750 | 1.450 |
| 70 | 2.000 | 1.700 |
| 80 | 2.250 | 1.950 |
| 90 | 2.500 | 2.200 |
| 100 | 2.750 | 2.450 |
| 110 | 3.000 | 2.700 |
| 128 | 3.450 | 3.150 |
| 132 | 3.550 | 3.250 |



STRAIGHT PTH RECEPTACLE
PC BOARD VIEWED FROM COMPONENT SIDE

| SIZE | CONTACT ID | SIZE | CONTACT ID | SIZE | CONTACT ID |
|------|------------|------|------------|------|------------|
| 20 | | 60 | | 100 | |
| 30 | | 70 | | 110 | |
| 40 | | 80 | | 128 | |
| 50 | | 90 | | 132 | |

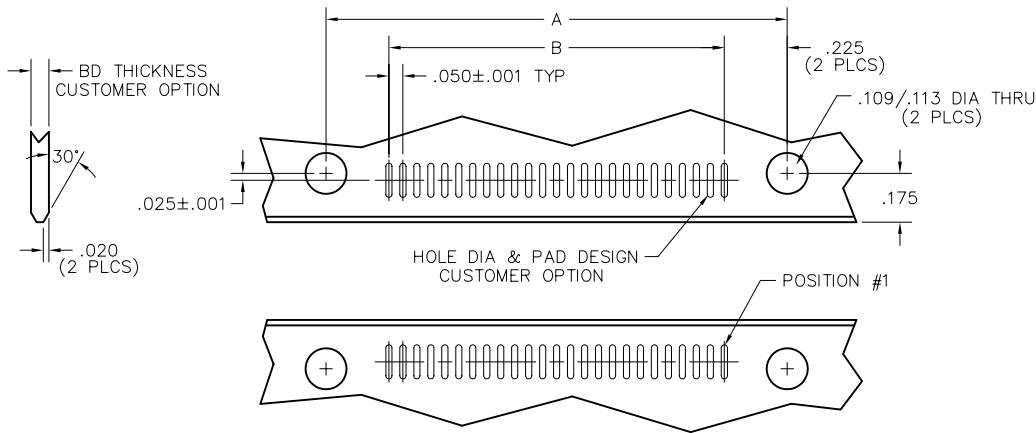
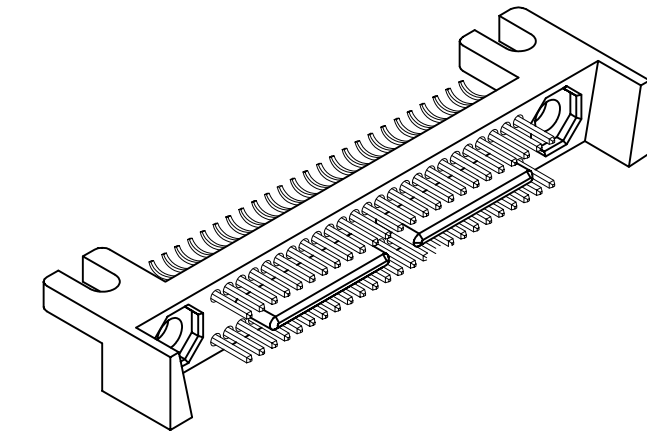
2 • ROW Straight SMT Plug

.050"

WBB, WBA

20 thru 132 Contacts

Recommended
Board Layout



| DIMENSIONS | | |
|------------|-------|-------|
| SIZE | A | B |
| 20 | .900 | .450 |
| 30 | 1.150 | .700 |
| 40 | 1.400 | .950 |
| 50 | 1.650 | 1.200 |
| 60 | 1.900 | 1.450 |
| 70 | 2.150 | 1.700 |
| 80 | 2.400 | 1.950 |
| 90 | 2.650 | 2.200 |
| 100 | 2.900 | 2.450 |
| 110 | 3.150 | 2.700 |
| 128 | 3.600 | 3.150 |
| 132 | 3.700 | 3.250 |

STRAIGHT SMT PLUG

| SIZE | CONTACT ID | SIZE | CONTACT ID | SIZE | CONTACT ID |
|------|------------|------|------------|------|------------|
| 20 | C 20 | 60 | C 60 | 100 | C 100 |
| | C 19 | | C 59 | | C 99 |
| | C 18 | | C 58 | | C 98 |
| | C 17 | | | | |
| | C 16 | | | | |
| | C 15 | | | | |
| | C 14 | | | | |
| | C 13 | | | | |
| | C 12 | | | | |
| | C 11 | | | | |
| 30 | C 30 | 70 | C 70 | 110 | C 110 |
| | C 29 | | C 69 | | C 109 |
| | C 28 | | C 68 | | C 108 |
| | | | | | |
| | | | | | |
| 40 | C 40 | 80 | C 80 | 128 | C 128 |
| | C 39 | | C 79 | | C 127 |
| | C 38 | | C 78 | | C 126 |
| | | | | | |
| | | | | | |
| 50 | C 50 | 90 | C 90 | 132 | C 132 |
| | C 49 | | C 89 | | C 131 |
| | C 48 | | C 88 | | C 130 |
| | | | | | |
| | | | | | |

Military Cross Reference Chart

| MIL Number | WB Series | Size | Description |
|---------------|-------------|------|---------------------------------------|
| M55302/117-01 | WB20PR8 | 20 | Right angle plug, 3/4 skirt |
| M55302/117-02 | WB30PR8 | 30 | Right angle plug, 3/4 skirt |
| M55302/117-03 | WB40PR8 | 40 | Right angle plug, 3/4 skirt |
| M55302/117-04 | WB50PR8 | 50 | Right angle plug, 3/4 skirt |
| M55302/117-05 | WB60PR8 | 60 | Right angle plug, 3/4 skirt |
| M55302/117-06 | WB70PR8 | 70 | Right angle plug, 3/4 skirt |
| M55302/117-07 | WB80PR8 | 80 | Right angle plug, 3/4 skirt |
| M55302/117-08 | WB90PR8 | 90 | Right angle plug, 3/4 skirt |
| M55302/117-09 | WB100PR8 | 100 | Right angle plug, 3/4 skirt |
| M55302/117-10 | WB110PR8 | 110 | Right angle plug, 3/4 skirt |
| M55302/117-11 | WB128PR8 | 128 | Right angle plug, 3/4 skirt |
| M55302/118-01 | WBB20PMT | 20 | Surface mount, no skirt |
| M55302/118-02 | WBB30PMT | 30 | Surface mount, no skirt |
| M55302/118-03 | WBB40PMT | 40 | Surface mount, no skirt |
| M55302/118-04 | WBB50PMT | 50 | Surface mount, no skirt |
| M55302/118-05 | WBB60PMT | 60 | Surface mount, no skirt |
| M55302/118-06 | WBB70PMT | 70 | Surface mount, no skirt |
| M55302/118-07 | WBB80PMT | 80 | Surface mount, no skirt |
| M55302/118-08 | WBB90PMT | 90 | Surface mount, no skirt |
| M55302/118-09 | WBB100PMT | 100 | Surface mount, no skirt |
| M55302/118-10 | WBB110PMT | 110 | Surface mount, no skirt |
| M55302/118-11 | WBB128PMT | 128 | Surface mount, no skirt |
| M55302/118-12 | WBA20PMT | 20 | Surface mount, full skirt |
| M55302/118-13 | WBA30PMT | 30 | Surface mount, full skirt |
| M55302/118-14 | WBA40PMT | 40 | Surface mount, full skirt |
| M55302/118-15 | WBA50PMT | 50 | Surface mount, full skirt |
| M55302/118-16 | WBA60PMT | 60 | Surface mount, full skirt |
| M55302/118-17 | WBA70PMT | 70 | Surface mount, full skirt |
| M55302/118-18 | WBA80PMT | 80 | Surface mount, full skirt |
| M55302/118-19 | WBA90PMT | 90 | Surface mount, full skirt |
| M55302/118-20 | WBA100PMT | 100 | Surface mount, full skirt |
| M55302/118-21 | WBA110PMT | 110 | Surface mount, full skirt |
| M55302/118-22 | WBA128PMT | 128 | Surface mount, full skirt |
| M55302/119-01 | WB20SD9/12 | 20 | Receptacle, .140 and .190 lead length |
| M55302/119-02 | WB30SD9/12 | 30 | Receptacle, .140 and .190 lead length |
| M55302/119-03 | WB40SD9/12 | 40 | Receptacle, .140 and .190 lead length |
| M55302/119-04 | WB50SD9/12 | 50 | Receptacle, .140 and .190 lead length |
| M55302/119-05 | WB60SD9/12 | 60 | Receptacle, .140 and .190 lead length |
| M55302/119-06 | WB70SD9/12 | 70 | Receptacle, .140 and .190 lead length |
| M55302/119-07 | WB80SD9/12 | 80 | Receptacle, .140 and .190 lead length |
| M55302/119-08 | WB90SD9/12 | 90 | Receptacle, .140 and .190 lead length |
| M55302/119-09 | WB100SD9/12 | 100 | Receptacle, .140 and .190 lead length |
| M55302/119-10 | WB110SD9/12 | 110 | Receptacle, .140 and .190 lead length |
| M55302/119-11 | WB128SD9/12 | 128 | Receptacle, .140 and .190 lead length |
| M55302/119-12 | WB100SD19 | 100 | Receptacle, .300 lead length |
| M55302/119-13 | WB110SD19 | 110 | Receptacle, .300 lead length |
| M55302/119-14 | WB128SD12 | 128 | Receptacle, .190 lead length |

X-ON Electronics

Largest Supplier of Electrical and Electronic Components

Click to view similar products for [Headers & Wire Housings](#) category:

Click to view products by [AirBorn](#) manufacturer:

Other Similar products are found below :

[0015917161](#) [0022155065](#) [57102-F02-18ULF](#) [58102-G61-06LF](#) [582553-1](#) [01.001.5753.1](#) [0050291907](#) [02.125.8002.8](#) [609-3404](#) [61062-3](#)
[CSU011177004](#) [622-0430](#) [622-3653LF](#) [63453-116](#) [636-1030](#) [636-1427](#) [636-3427](#) [636-4007](#) [641938-9](#) [65495-038](#) [65692-001LF](#) [65781-018](#)
[65781-047](#) [65817-010LF](#) [65817-015LF](#) [67095-007LF](#) [67601157](#) [68631-112](#) [68645-018](#) [699319-000](#) [70.362.1628.0](#) [70-4210](#) [70-4226B](#) [70-](#)
[4853B](#) [71.350.2428.0](#) [733-134](#) [733-162](#) [MHR-64-VUAL](#) [80.063.4001.1](#) [800-90-001-10-001000](#) [801-43-002-10-013000](#) [801-43-006-10-](#)
[002000](#) [803-43-024-10-001000](#) [803-93-012-10-001000](#) [8-1437020-4](#) [819-22-004-30-001101](#) [820-22-006-30-001101](#) [820-22-008-30-001101](#)
[821-22-002-10-001101](#) [821-22-003-10-002101](#)