

APPROVAL SHEET

Customer Name : _____
Customer P/N : _____
Frequency : 32.768000 KHz
Aker Approved P/N : D31-032768-BDRD42
Aker MPN : D31-032768-BDRD42
REVISION : A0
ISSUED DATE : 2023/6/8

APPROVED	CHECKED	PREPARED
<i>Earnest</i>		<i>Kika</i>
APPROVED BY CUSTOMER		

AKER TECHNOLOGY CO., LTD.

ADDRESS : NO 11-3, Jianguo Rd., Tanzi Dist., Taichung City 427, Taiwan.

TEL : 886-4-25335978

FAX : 886-4-25336011

Web: www.aker.com.tw

RoHS compliant



Aker Approved P/N : D31-032768-BDRD42

APPROVED : Earnest

SHEET : 1 of 4

PREPARED : Kiku

REV . : A0

Confidential

Rev.	Date	Reviser	Revise contents
A0	2023/6/8	Kiku	Initial Released

Please kindly be noted that AKER DO NOT guarantee parts quality which involves human security application.



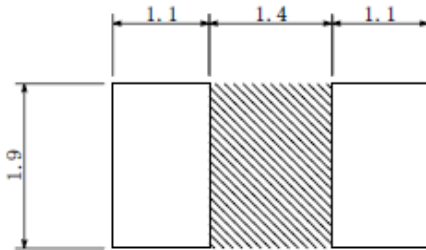
Aker Approved P/N : D31-032768-BDRD42	
APPROVED : Earnest	SHEET : 2 of 4
PREPARED : Kiku	REV. : A0
Confidential	

TUNING FORK CRYSTAL SPECIFICATION

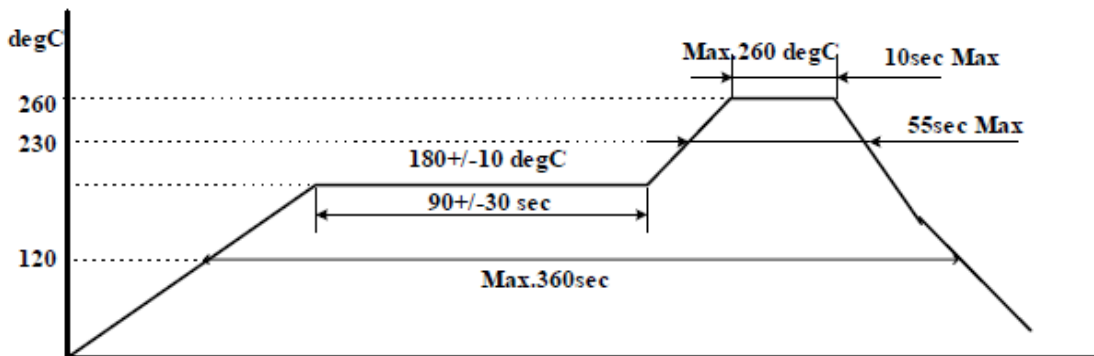
1. ELECTRICAL CHARACTERISTICS

Nominal Frequency	32.768 kHz
Operating Temperature Range	-40 to +85 degC
Storage Temperature Range	-55 to +125 degC
Frequency Tolerance	±20ppm Max. at 25°C
Frequency Tolerance over Operating Temperature Range	Turnover Temp.; 25±/-5 degC Temp. Coefficient: -0.034±/-0.006ppm/degC ²
Equivalent Series Resistance	70k ohm Max. at 25 degC
Insulation Resistance	500M ohm Min./DC100V±/-15V
Shunt Capacitance	0.95pF Typ
Load Capacitance	12.5pF This Load Capacitance has been fixed on customer's request.
Level of Drive	1 Micro W Max.
Aging	±3ppm First Year

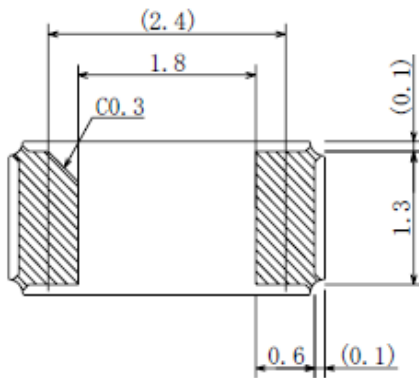
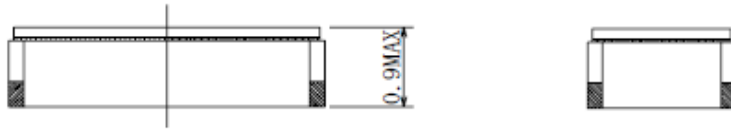
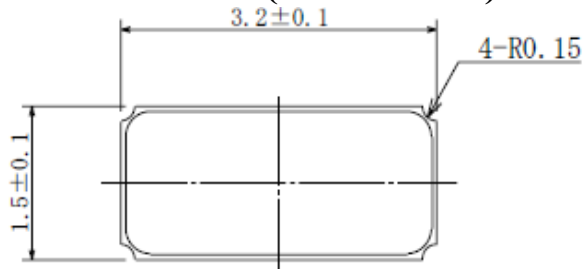
2 . RECOMMENDED SOLDERING PATTERN:(Unit : mm)



3. SOLDERING REFLOW PROFILE :



4 . DIMENSIONS : (Unit : mm)



y: The last digit of production year.

m: Production month.(See Table 1)

###: Lot.No.

ym###

Table 1

Month	1	2	...	9	10	11	12
Code	1	2	...	9	X	Y	Z

X-ON Electronics

Largest Supplier of Electrical and Electronic Components

Click to view similar products for [Crystals](#) category:

Click to view products by [Aker](#) manufacturer:

Other Similar products are found below :

[CX3225GB25000M0PPSZ1](#) [718-13.2-1](#) [7A-40.000MAAE-T](#) [FL2000085](#) [99-BU](#) [9B-15.360MBBK-B](#) [9C-7.680MBBK-T](#) [H10S-12.000-18-EXT-TR](#) [ABC2-6.000MHZ-D4Z-T](#) [ABLS-20.000MHZ-D2-T](#) [ABS071-32.768KHZ-6-T](#) [R38-32.768-12.5-5PPM-NPB](#) [BTD1062E05A-513](#) [21U15A-21.4MHZ](#) [RTX-781DF1-S-20.950](#) [LFXTAL066198Cutt](#) [9C-14.31818MBBK-T](#) [A-11.000MHZ-27](#) [ABL-27.000MHZ-B4Y-T](#) [ABM11-132-24.000MHZ-T3](#) [ABM3B1-25.000MHZ-D2Y-T](#) [SPT2A-.032768B](#) [SPT2A.032768G](#) [SSPT7F-9PF20-R](#) [LFXTAL065253Cutt](#) [LFXTAL066431Cutt](#) [XT9S20ANA14M7456](#) [XT9SNLANA16M](#) [7A-24.576MBBK-T](#) [7B-30.000MBBK-T](#) [MMCC2R32.7680KHZ](#) [7A-14.31818MBBK-T](#) [6504-202-1501](#) [6526-202-1501](#) [ABLS-12.000MHZ-B2Y-T](#) [7A-10.000MBBK-T](#) [SG636PCE-20.000MC](#) [3404](#) [E1SAA18-25.000M TR](#) [CM315D32768EZFT](#) [C1E-24.000-7-2020-R](#) [C1E-19.200-12-1530-X-R](#) [C1E-16.000-12-1530-X-R](#) [ABM11-16.000MHZ-9-B1U-T](#) [FL5000014](#) [EUCA18-3.1872M](#) [FX0800015](#) [425F35E027M0000](#) [FP0800018](#) [MS3V-T1R-32.768kHz-7pF-20PPM-TA-QC-Au](#)