

# APPROVAL SHEET

Customer Name : \_\_\_\_\_  
 Customer P/N : \_\_\_\_\_  
 Frequency : 27.000000 MHz  
 Aker Approved P/N : SMAF-027000-3-AL-06  
 Aker MPN : SMAF-027000-3-AL-06  
 Rev. : 1  
 ISSUE DATE : Jan.30.2024

APPROVED	CHECKED	PREPARED
<i>Leaf</i>		<i>PTY</i>
APPROVED BY CUSTOMER		

## AKER TECHNOLOGY CO., LTD.

ADDRESS : NO 11-3, Jianguo Rd., Tanzi Dist., Taichung City 427, Taiwan.

TEL : 886-4-25335978 FAX : 886-4-25336011

Web: [www.aker.com.tw](http://www.aker.com.tw)

**MSL:Level 1**

**RoHS compliance**

**IATF 16949 Certified**

**AEC-Q200 Qualified**





Aker Approved P/N : SMAF-027000-3-AL-06	
APPROVED :	Xtal SHEET : 2 of 9
PREPARED :	piy REV. : 1
Confidential	

## SMD CRYSTAL OSCILLATOR

### 1. ELECTRICAL CHARACTERISTICS

■ Standard atmospheric conditions

Unless otherwise specified, the standard range of atmospheric conditions for making measurement and tests are as follow :

Ambient temperature : 25±5 °C

Relative humidity : 40%~70%

If there is any doubt about the results, measurement shall be made within the following limits :

Ambient temperature : 25±3 °C

Relative humidity : 40%~70%

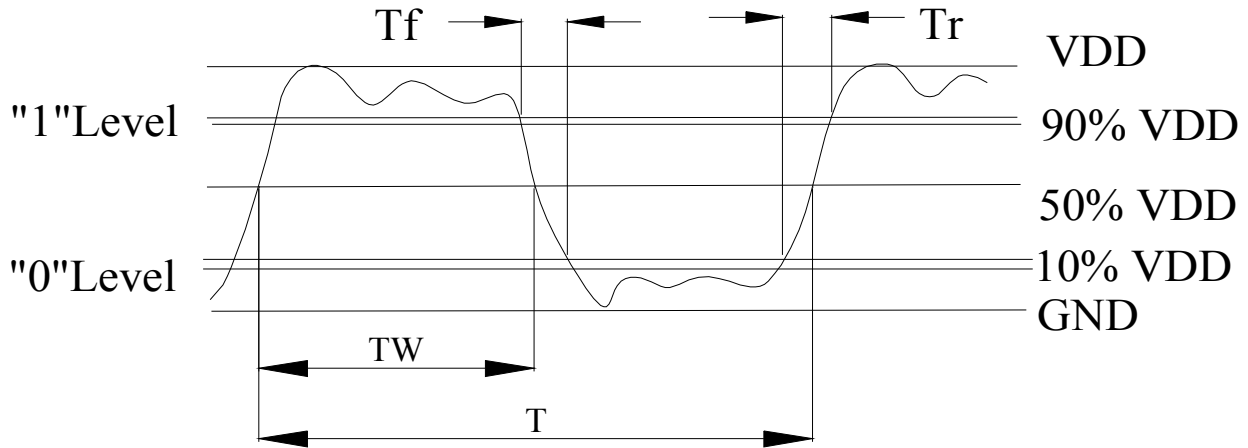
■ AKER Model : SMAF-321

■ Cutting Mode : AT CUT

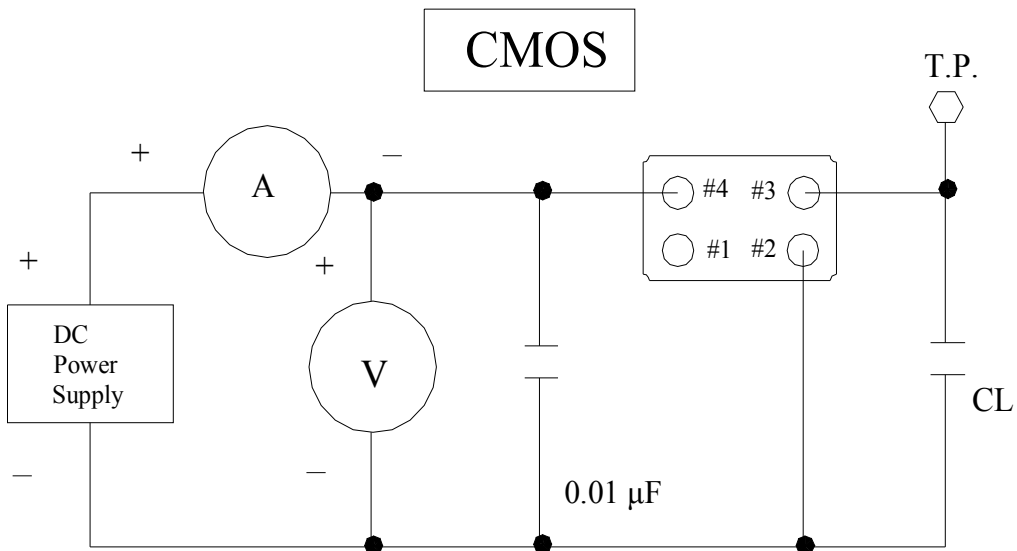
Parameters	Symbol	Electrical Spec				Notes
		Min.	Typ.	Max.	Units.	
Nominal Frequency		27.000000			MHz	
Frequency Tolerance		±20			ppm	at 25°C ± 3°C
Frequency Stability		±50			ppm	Operating Temp (Refer 25°C)
Supply Voltage	V <sub>CC</sub>	3.3±10%			V	
Output Load CMOS	CL			15	pF	
Aging		±3			ppm	First Year at 25°C
Enable Control		Yes				Pad 1
Operating Temperature		-40	25	125	°C	
Storage Temperature Range		-55	~	150	°C	
Output Voltage High	VoH	90%V <sub>DD</sub>			V	
Output Voltage Low	VoL			10%V <sub>DD</sub>	V	
Input Current	I <sub>cc</sub>			12	mA	
Standby Current	I <sub>ST</sub>			20	μA	
Rise Time	Tr			5	ns	10%~90%V <sub>DD</sub> Level
Fall Time	Tf			5	ns	90%~10%V <sub>DD</sub> Level
Symmetry (Duty ratio)	TH/T	40	~	60	%	
Start-up Time	T <sub>osc</sub>			10	ms	
Enable Voltage High	V <sub>hi</sub>	70%V <sub>DD</sub>			V	
Disable Voltage Low	V <sub>lo</sub>			30%V <sub>DD</sub>	V	
Output Enable Delay Time	T <sub>on</sub>			10	ms	
Output Disable Delay Time	T <sub>off</sub>			200	ns	
Phase Jitter RMS				1	ps	12KHz~5MHz

\*Please kindly be noted that AKER DO NOT guarantee parts quality which involves human security application.\*

## 2 . C - MOS LOAD OUTPUT WAVEFORM

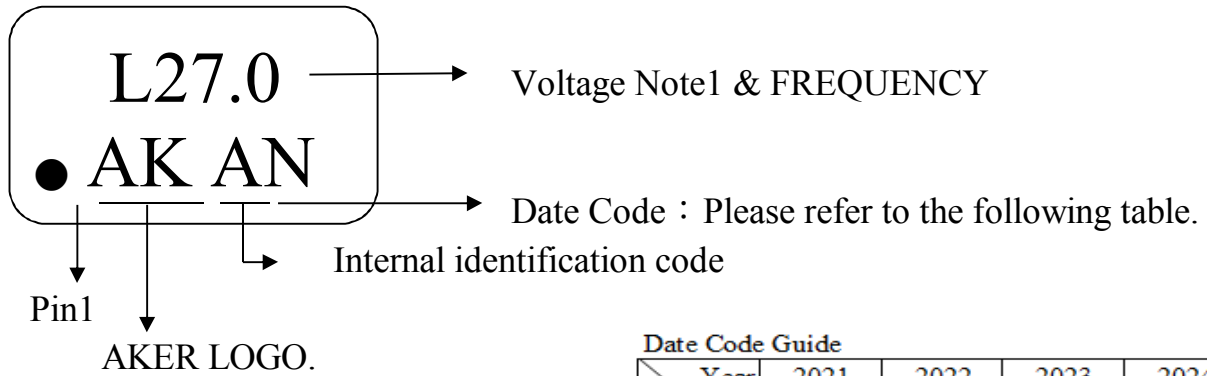


## 3 . C - MOS LOAD TEST CIRCUIT



\*\*\*Because SMA series has no by pass capacitor.  
So,we recommend our customer to use capacitor 0.01  $\mu$ F  
in join Vcc and GND.

#### 4. MARKING :



NOTE1:

T	5.0V TTL
C	4.5~5.0V CMOS
L	2.97~3.63V TTL&CMOS
R	2.8~3.0V CMOS
S	2.25~2.75V CMOS
Y	1.5~2.0V CMOS
Z	0.8~1.4V CMOS
W	Voltage Range CMOS

Date Code Guide

Year	2021	2022	2023	2024
	2025	2026	2027	2028
Month	(4N+1)	(4N+2)	(4N+3)	(4N+0)
JAN	a	n	A	N
FEB	b	p	B	P
Mar	c	q	C	Q
Apr	d	r	D	R
May	e	s	E	S
Jun	f	t	F	T
Jul	g	u	G	U
Aug	h	v	H	V
Sep	j	w	J	W
Oct	k	x	K	X
Nov	l	y	L	Y
Dec	m	z	M	Z

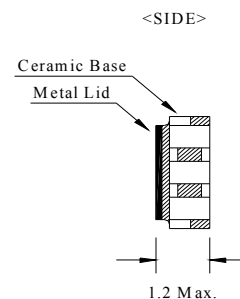
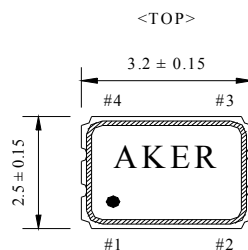
A cycle every four years

#### 5. DIMENSION :

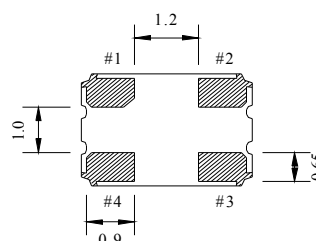
( UNIT : mm )

##### Enable / Disable Function

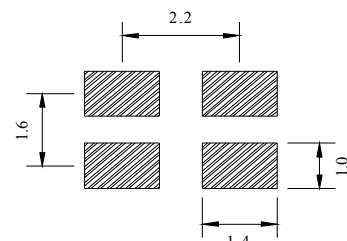
E/D (#1)	OUTPUT (#3)
HIGH (Open)	Operating
LOW	High impedance



<BOTTOM>



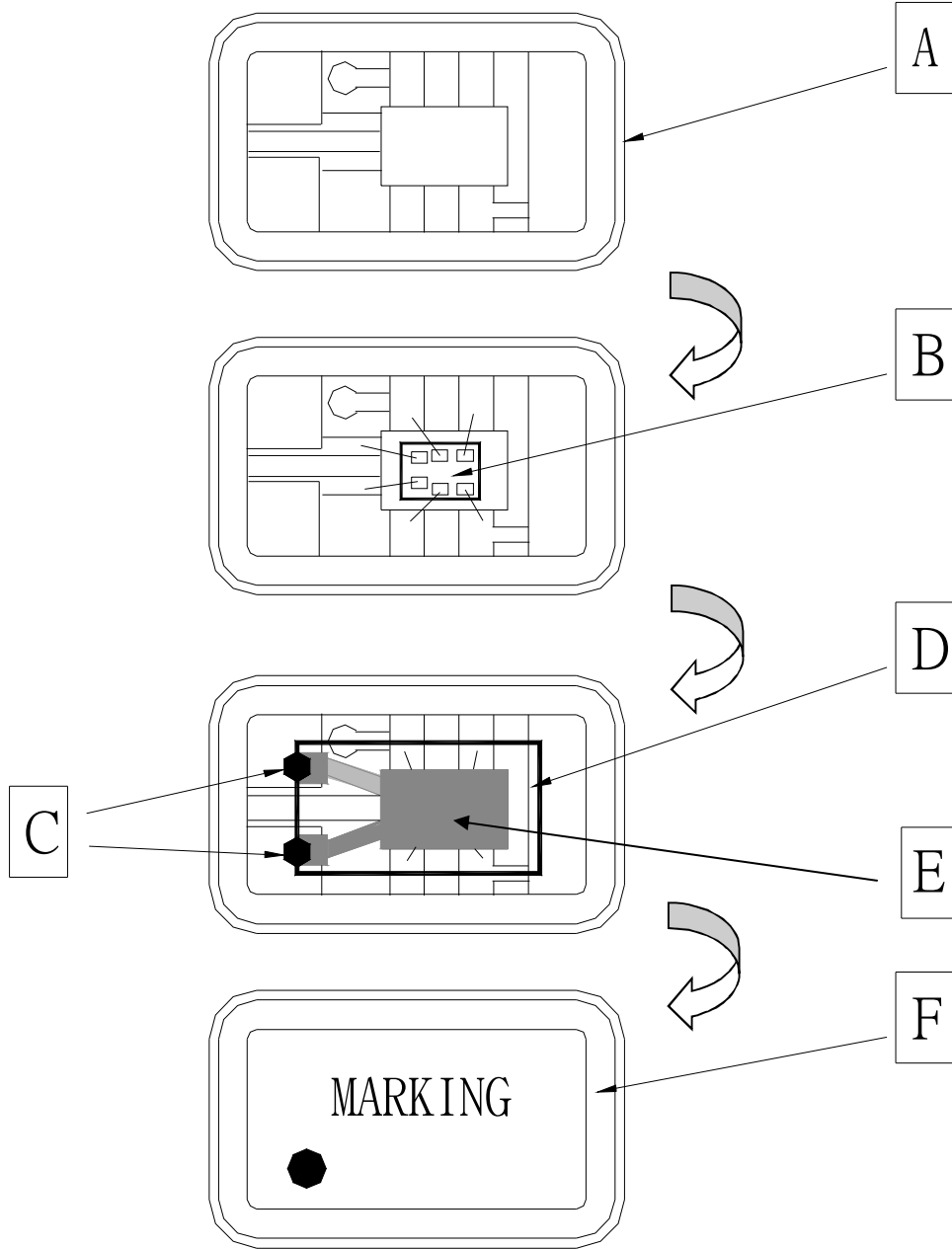
<SUGGESTED LAYOUT>



##### PIN FUNCTION

- #1 : Enable / Disable Control
- #2 : GND
- #3 : OUTPUT
- #4 : VDD

## 6 . STRUCTURE ILLUSTRATION

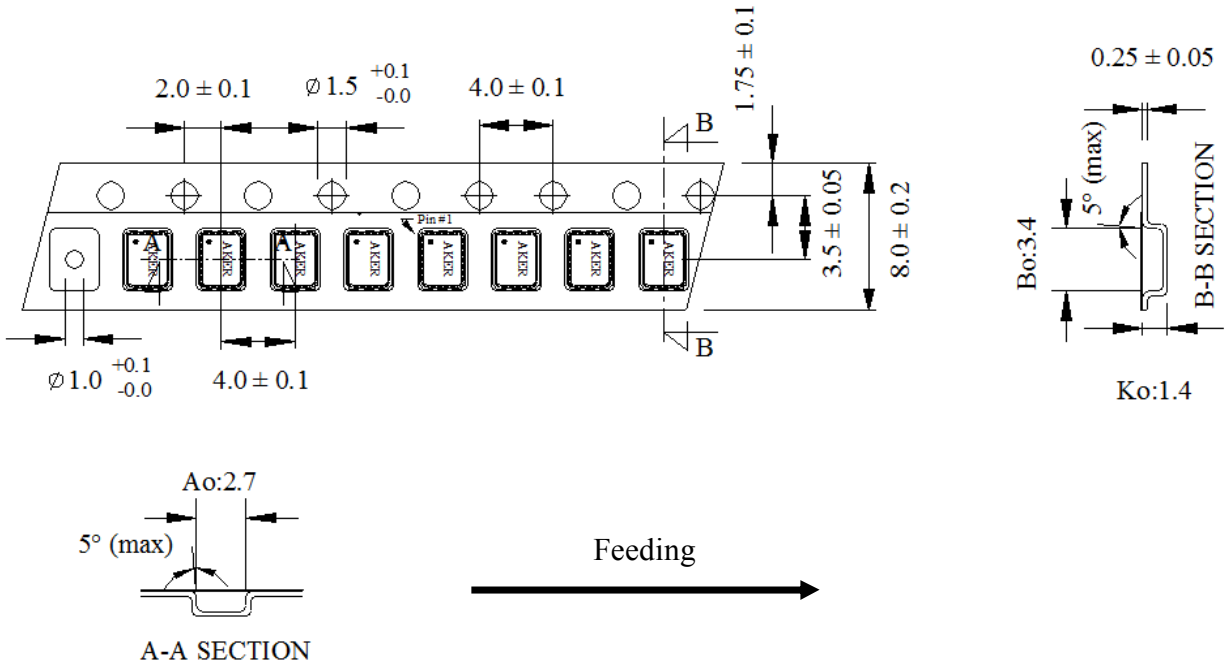


COMPONENTS		MATERIALS		COMPONENTS		MATERIALS	
A	Base (Package)	Cera mic (Al2O3)+Kovar (Fe/Co/Ni)		D	Crystal blank	SiO2	
B	IC chip	.		E	Electrode	Noble metal	
C	Conductive adhesive	Ag / Silicon resin		F	Lid	Fe/Co/Ni	

## 7. PACKING :

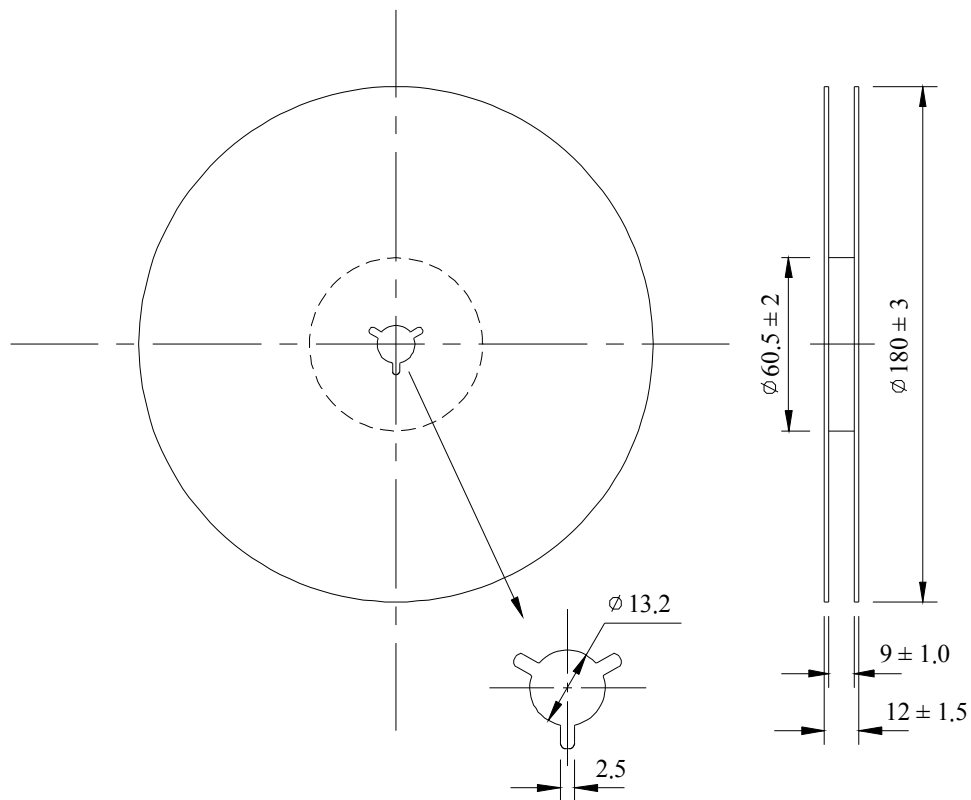
### TAPE SPECIFICATION

( Unit : mm )

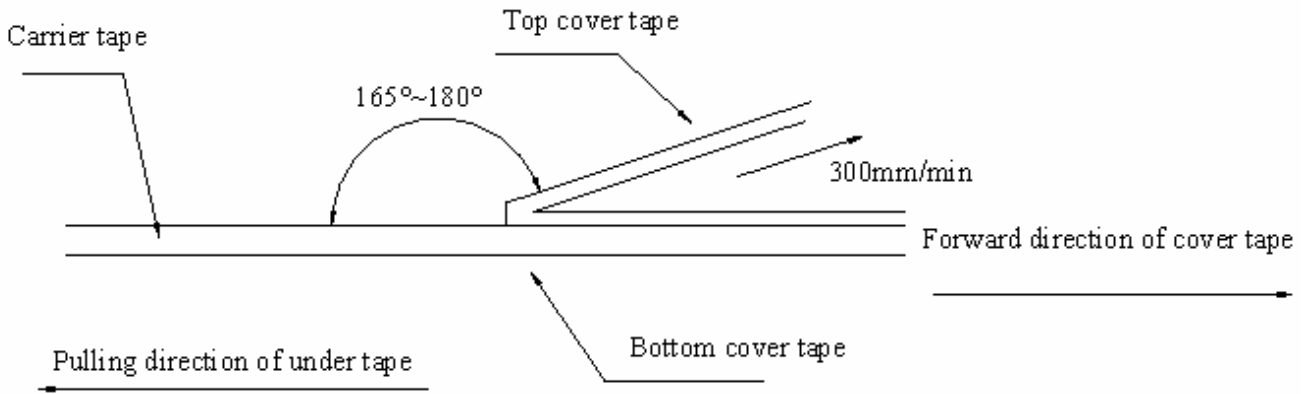


### OUTLINE DIMENSION

( Unit : mm )



### 8. COVER TAPE ADHESION STRENGTH :

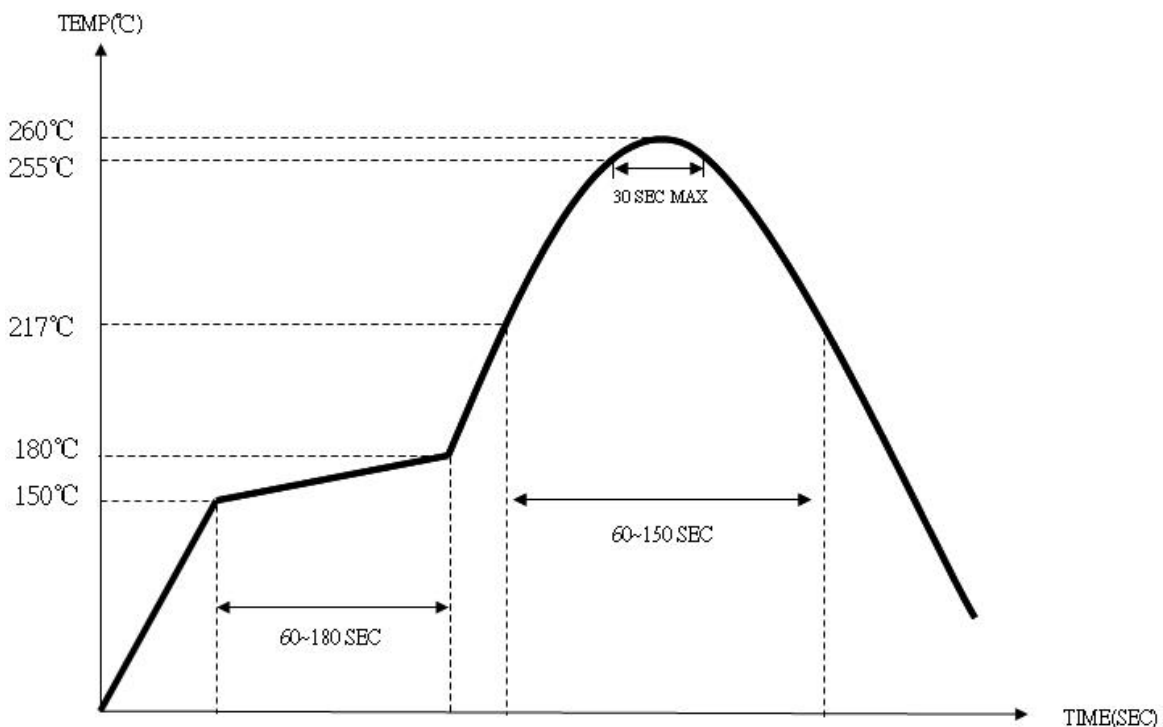


\*\*\* In the case, the cover tape is pulled off under the above conditions, the cover tape adhesion strength should be 10.2g~71.4g

Plastic tape: 10.2g~71.4g

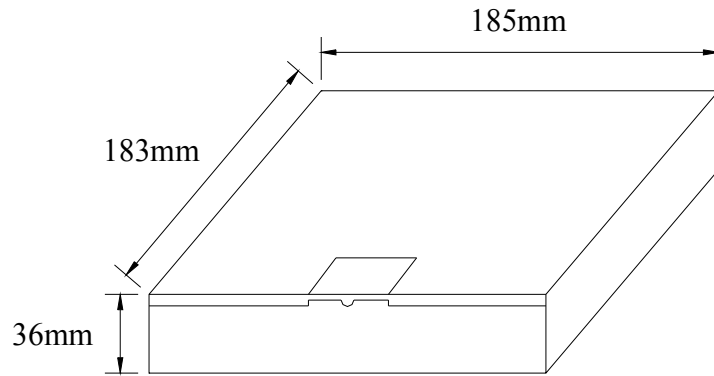
(Cover tape adhesion strength)

### 9. SOLDERING REFLOW PROFILE

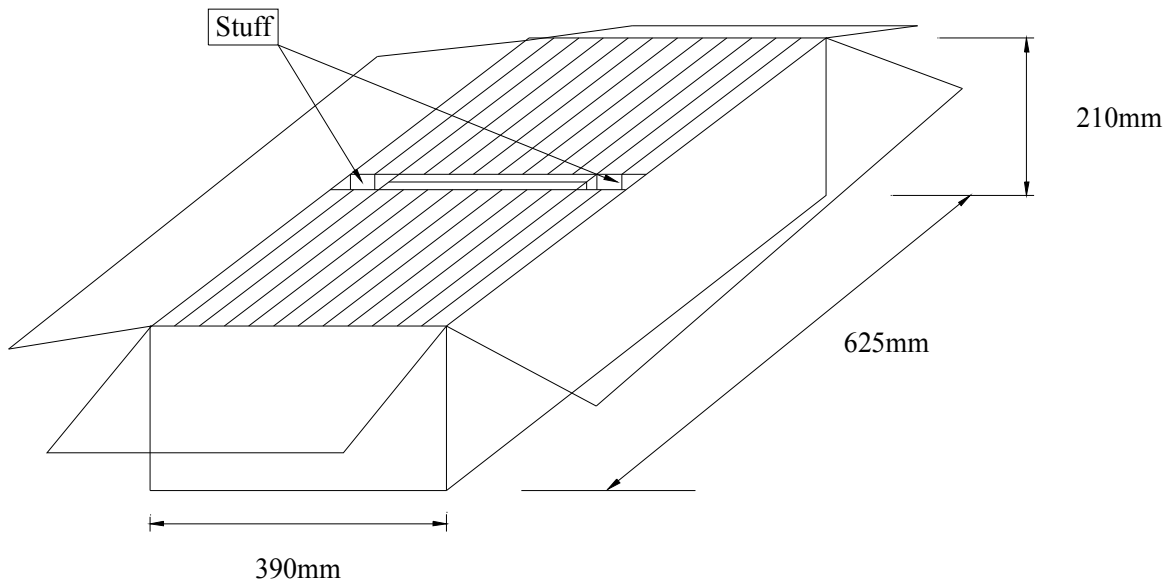
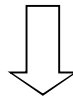




**10. PACKING :**



BOX = 3000 PCS / REEL(MAX)



SMD product packs 32 BOX=The outside box packs (3000 PCS \* 32 BOX = 96000 PCS)(MAX)



Aker Approved P/N :		SMAF-027000-3-AL-06	
APPROVED	:	Xtal	SHEET : 9 of 9
PREPARED	:	piy	REV . : 1
			Confidential

## 11 . MECHANICAL PERFORMANCE

TEST ITEMS	TEST METHODS AND TEST CONDITION	PERFORMANCE
11.1 Temperature Cycling	-55±3°C/30min maximum~+125±3°C/30min maximum , 1000cycles	To satisfy the electrical performance .
11.2 Operational Life	150°C±3°C , 1000hrs±12hrs	
11.3 Biased Humidity	85°C±5°C&85%±5%R.H. , 1000±12hrs	
11.4 Resistance To Soldering Heat Test	Reflow test 2 times.	
11.5 High Temperature Exposure	150°C±3°C , 1000hrs±12hrs	
11.6 Vibration Test	Freq.range: 10~2000Hz , Peak to peak amplitude:1.52mm Peak acceleration:5G (49m/s <sup>2</sup> ) , 3 direction(X, Y,Z) , 20min 12cycles each of 3 orientations.	
11.7 Mechanical Shock	100G , 6mS , 3 times for each direction(X, Y, Z ) , 3 cycles	
11.8 Physical Dimension	Verify physical dimensions to the applicable device detail specification.	
11.9 Solderability	260°C , Coated > 95%	
11.10 Board Flex	PCB=100*40(mm) , Bending=2 mm (min) , Duration=60+5/-0 sec	
11.11 External Visual	Inspect device construction and marking.	
11.12 Terminal Strength	A force of 17.7N for 60 seconds.	

## X-ON Electronics

Largest Supplier of Electrical and Electronic Components

*Click to view similar products for [Aker manufacturer](#):*

Other Similar products are found below :

[CXA-016000-7B6A60](#) [CXA-016000-2D7D40](#) [CXA-026000-3F7F20](#) [CXAF-040000-A-AL-04](#) [CXAF-040000-3-AL-01](#) [CXF-024000-3D6D40](#) [CXA-026000-3FCF20](#) [CXAF-025000-3-AL-39](#) [S5A3303-125.000-L-X-R](#) [CXAN-052083-3X12X40](#) [CXAF-024000-3-AL-07](#) [CXAF-030000-A-AL-02](#) [CXAF-008000-3-AL-12](#) [CXAF-020000-3-AL-16](#) [CXAF-032768-3-AL-01](#) [CXAF-016000-A-AL-09](#) [CXAF-025000-3F12B60](#) [CXAF-025000-A-AL-05](#) [CXAF-024000-3-AL-49](#) [CXAF-024000-A-AL-11](#) [CXAN-012000-5-AL-00](#) [CXAF-016000-A-AL-04](#) [CXAN-008000-3-AL-07](#) [CXAN-032000-A-AL-07](#) [CXAF-016000-3-AL-26](#) [CXAF-050000-3-AL-03](#) [CXAN-016000-3-AL-12](#) [CXAN-020000-3-AL-04](#) [CXAF-012000-3-AL-34](#) [CXAN-025000-3-AL-21](#) [CXAN-026000-A-AL-00](#) [CXAF-012000-3-AL-00](#) [CXAN-012000-3-AL-09](#) [SMAF-016000-3-AL-01](#) [SMAF-025000-A-AL-02](#) [SMBF-025000-7-AL-01](#) [SMAF-025000-3-AL-05](#) [SMAF-027000-A-AL-01](#) [SMAN-024000-3-AL-03](#) [SMAN-016000-5-AL-01](#) [SMAF-027000-3-AL-06](#) [SMAF-024000-A-AL-01](#) [SMAN-025000-3-AL-03](#) [SMAF-024000-A-AL-02](#) [SMAF-016000-2-AL-01](#) [SMDF-135000-3-AL-01](#) [SMDF-100000-3-AL-01](#) [CXAN-032000-2-AL-02](#) [SMF-048000-3CL4T0](#) [SMAN-025000-3XL2T00](#)