

APPROVAL SHEET

Customer Name : _____
 Customer P/N : _____
 Frequency : 135.000000 MHz
 Aker Approved P/N : SMDF-135000-3-AL-01
 Aker MPN : SMDF-135000-3-AL-01
 Rev. : 1
 ISSUE DATE : Jan.30.2024

APPROVED	CHECKED	PREPARED
<i>Tin</i>		<i>PTY</i>
APPROVED BY CUSTOMER		

AKER TECHNOLOGY CO., LTD.

ADDRESS : NO 11-3, Jianguo Rd., Tanzi Dist., Taichung City 427, Taiwan.

TEL : 886-4-25335978 FAX : 886-4-25336011

Web: www.aker.com.tw

MSL:Level 1

RoHS compliance

IATF 16949 Certified

AEC-Q200 Qualified



Aker Approved P/N : SMDF-135000-3-AL-01	
APPROVED : Tin	SHEET : 2 of 9
PREPARED : piy	REV . : 1
Confidential	

SMD CRYSTAL OSCILLATOR

1. ELECTRICAL CHARACTERISTICS

■ Standard atmospheric conditions

Unless otherwise specified , the standard range of atmospheric conditions for making measurement and tests are as follow :

Ambient temperature : 25±5 °C

Relative humidity : 40%~70%

If there is any doubt about the results , measurement shall be made within the following limits :

Ambient temperature : 25±3 °C

Relative humidity : 40%~70%

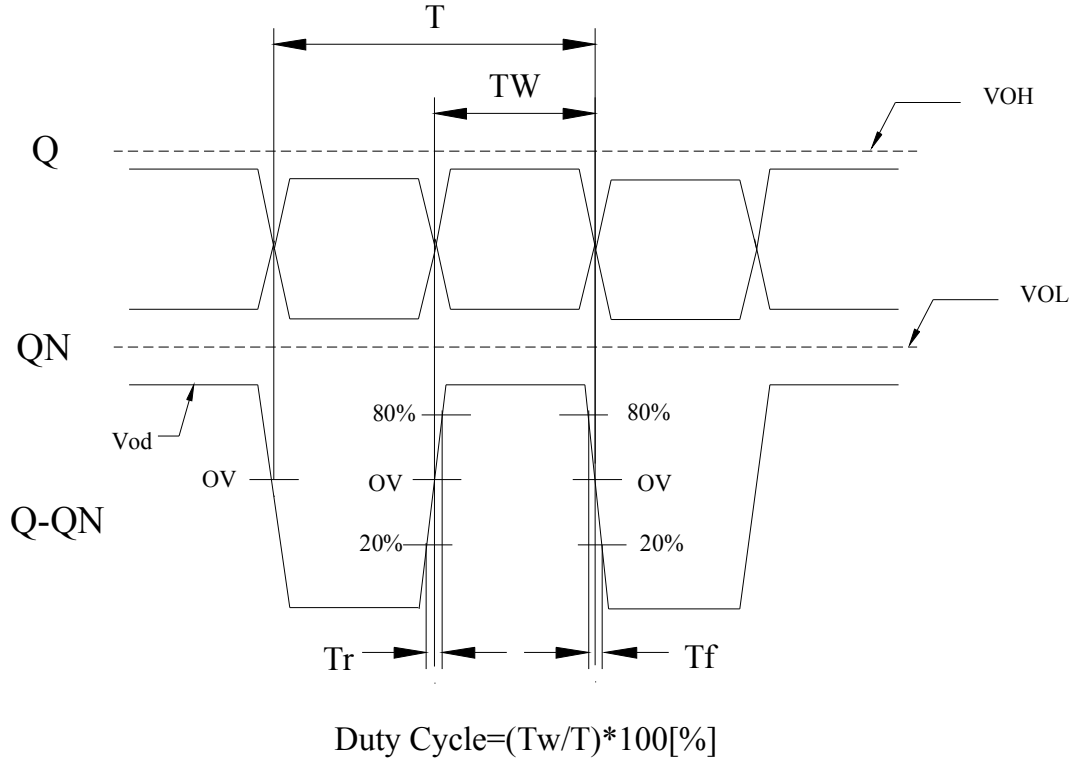
■ AKER Model : SMDF-321

■ Cutting Mode : AT CUT

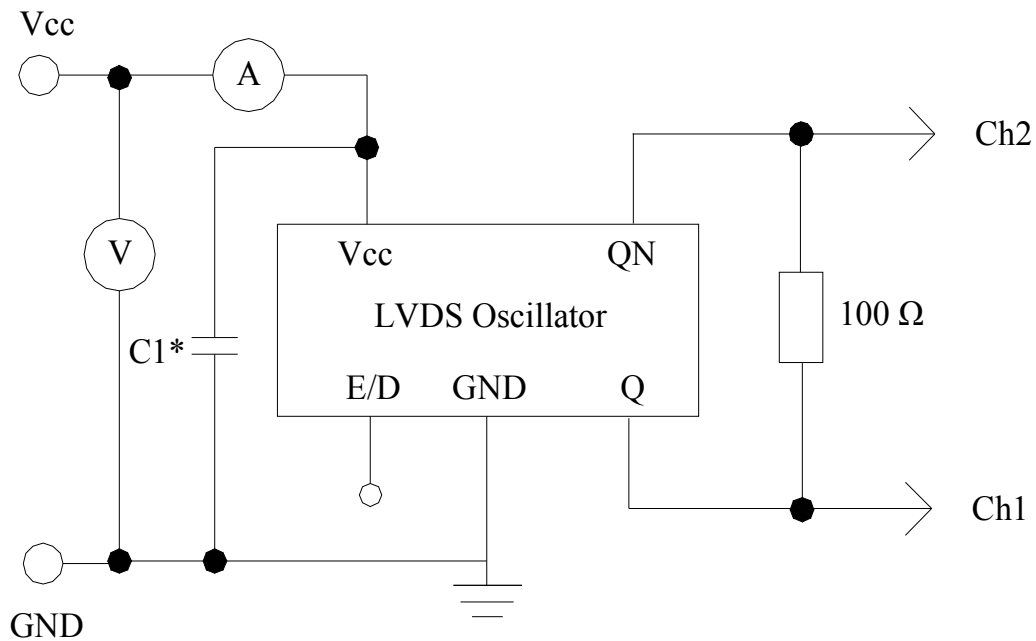
Parameters	Symbol	Electrical Spec				Notes
		Min.	Typ.	Max.	Units.	
Nominal Frequency		135.000000			MHz	
Frequency Stability		±100			ppm	
Supply Voltage	V _{CC}	3.3±5%			V	
Output Load				100	Ω	Connected Between Q to QN
Aging		±3			ppm	First Year at 25°C
Enable Control		Yes			—	Pad 1
Operating Temperature		-40	25	125	°C	
Storage Temperature Range		-55	~	150	°C	
Output Voltage High	V _{OH}			1.6	V	
Output Voltage Low	V _{OL}	0.9			V	
Differential Output Voltage	V _{OD}	250	~	450	mV	
Offset Voltage	V _{OS}	1.125	1.25	1.375	V	
Input Current	I _{cc}			50	mA	
Rise Time	T _r			0.5	ns	20%~80%
Fall Time	T _f			0.5	ns	80%~20%
Symmetry (Duty ratio)	TH/T	45	~	55	%	
Start-up Time	T _{osc}			10	ms	
Enable Voltage High	V _{hi}	70%VDD			V	
Disable Voltage Low	V _{lo}			30%VDD	V	
Output Enable Delay Time	T _{on}			2	ms	
Output Disable Delay Time	T _{off}			200	ns	
Phase Jitter RMS				1	ps	Fj:12K~20MHz

Please kindly be noted that AKER DO NOT guarantee parts quality which involves human security application.

2 . LVDS OUTPUT WAVEFORM

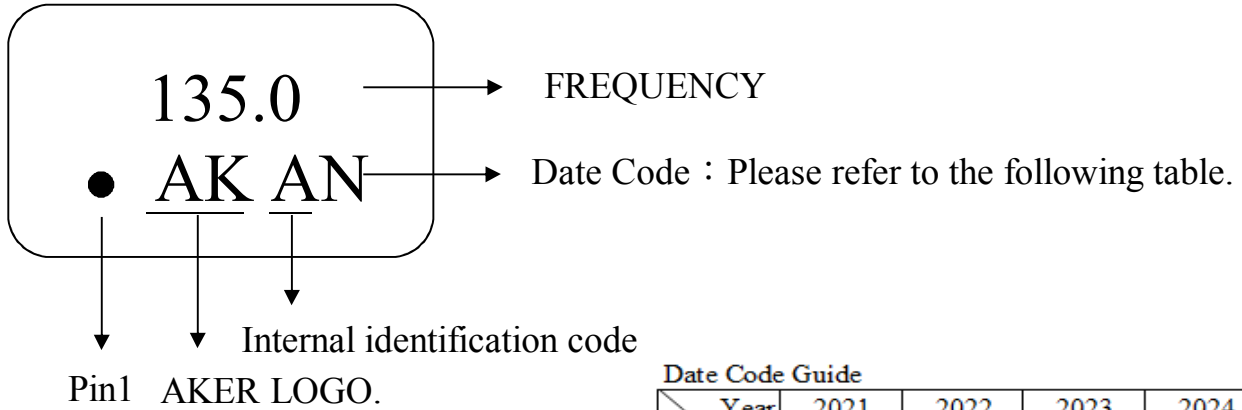


3 . LVDS TEST CIRCUIT



*C1: A 0.01 μ F or 0.1 μ F decoupling capacitor is recommended.

4. MARKING :



Date Code Guide

Year	2021	2022	2023	2024
	2025	2026	2027	2028
Month	(4N+1)	(4N+2)	(4N+3)	(4N+0)
JAN	a	n	A	N
FEB	b	p	B	P
Mar	c	q	C	Q
Apr	d	r	D	R
May	e	s	E	S
Jun	f	t	F	T
Jul	g	u	G	U
Aug	h	v	H	V
Sep	j	w	J	W
Oct	k	x	K	X
Nov	l	y	L	Y
Dec	m	z	M	Z

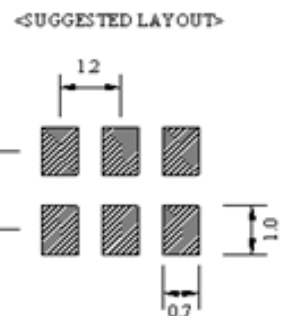
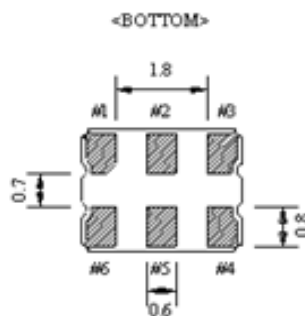
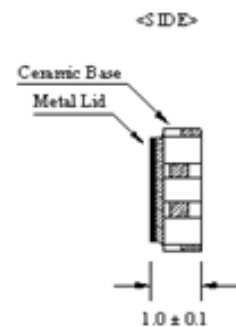
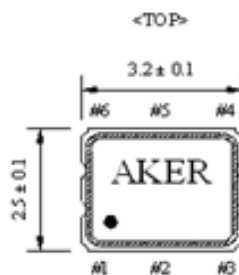
A cycle every four years

5. DIMENSION :

(UNIT : mm)

Enable/Disable Function

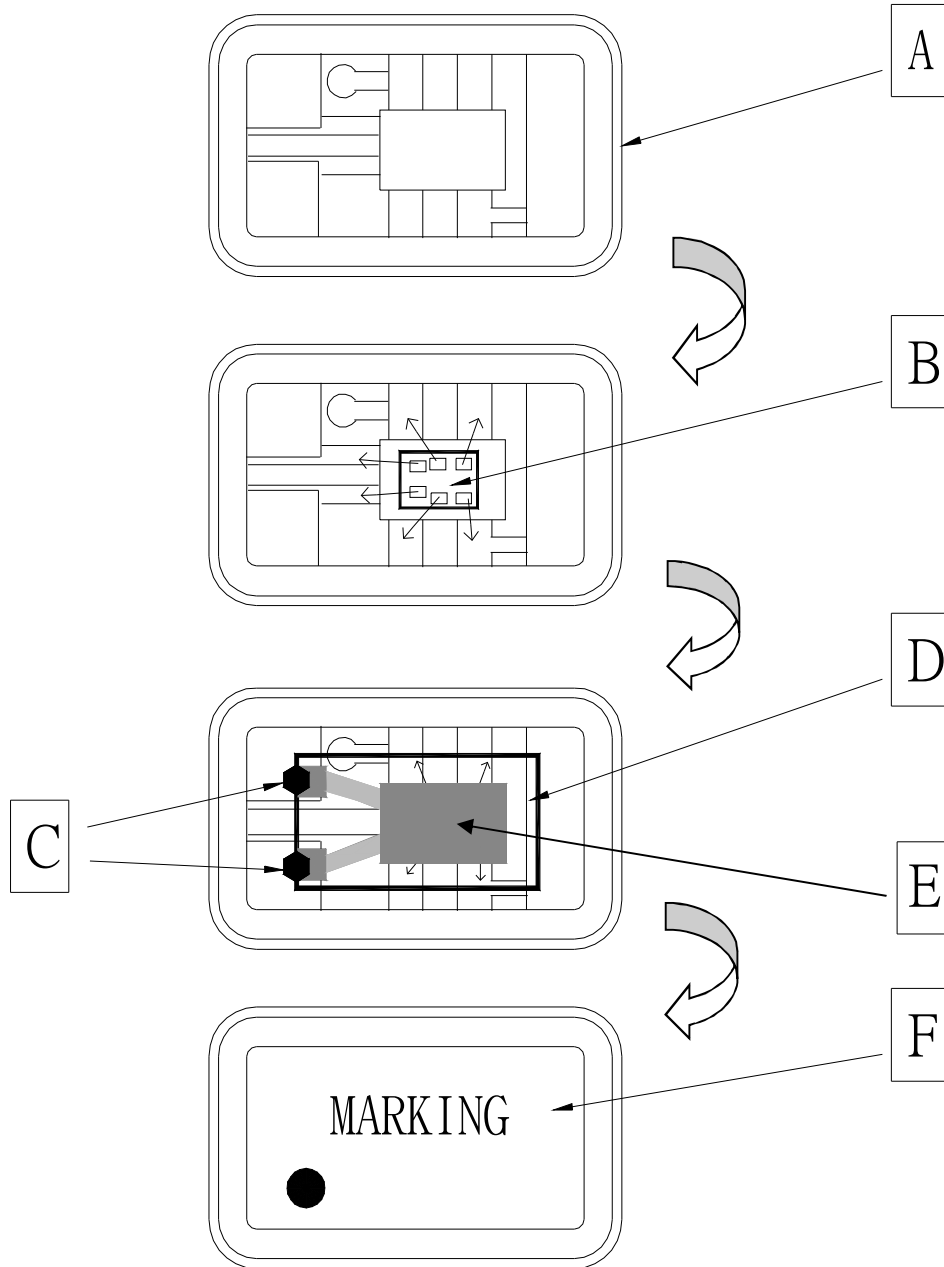
INH(#1)	Q(#4) & QN(#5)
HIGH(open)	Operating
LOW	High impedance



#1:E/D #2:NC #3:GND
#6:Vcc #5:QN #4:Q

(Recommended Land Pattern)

6 . STRUCTURE ILLUSTRATION

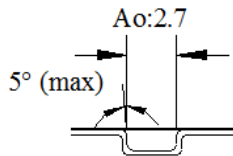
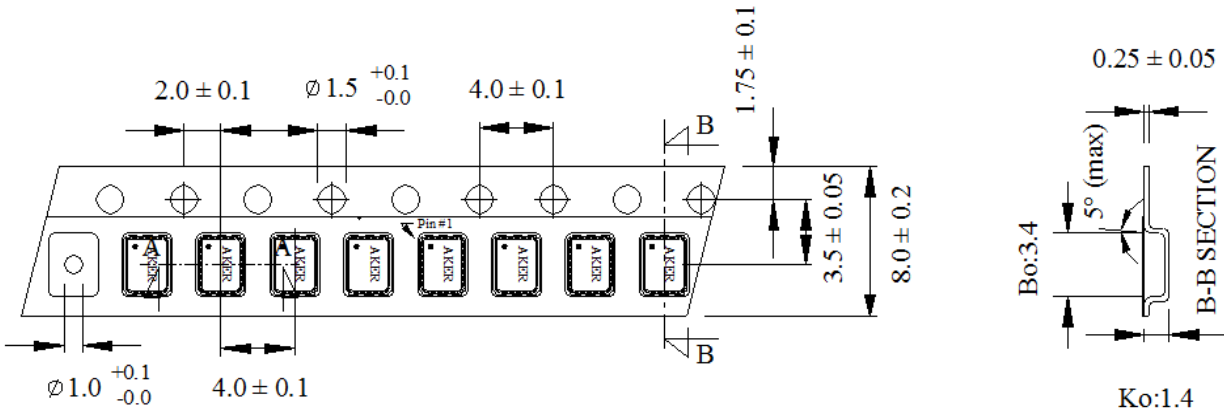


COMPONENTS		MATERIALS		COMPONENTS		MATERIALS	
A	Base (Package)	Cera mic (Al ₂ O ₃)+Kovar (Fe/Co/Ni)		D	Crystal blank	SiO ₂	
B	IC chip	.		E	Electrode	Noble metal	
C	Conductive adhesive	Ag / Silicon resin		F	Lid	Fe/Co/Ni	

7. PACKING :

TAPE SPECIFICATION

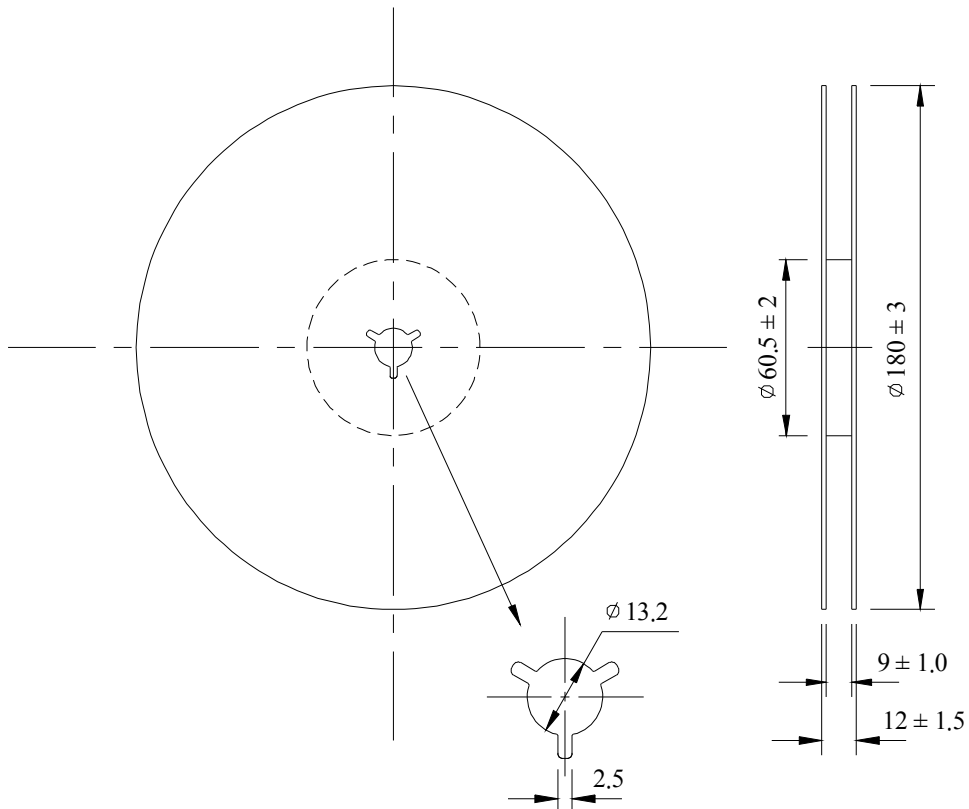
(Unit : mm)



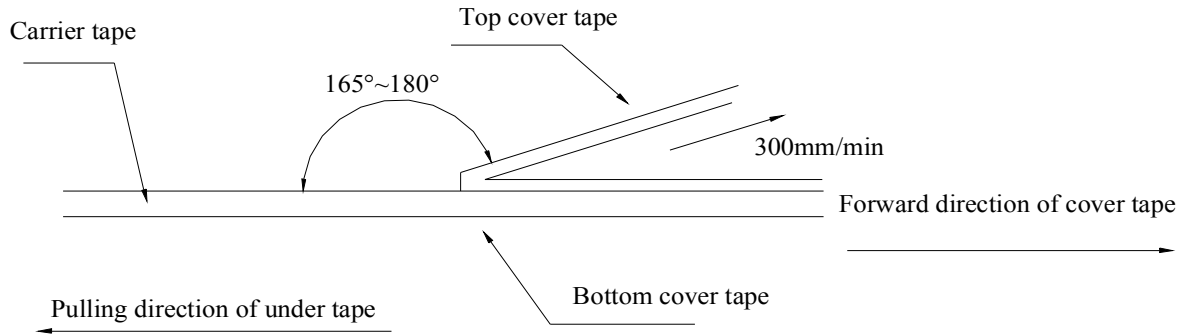
Feeding

OUTLINE DIMENSION

(Unit : mm)



8. COVER TAPE ADHESION STRENGTH :

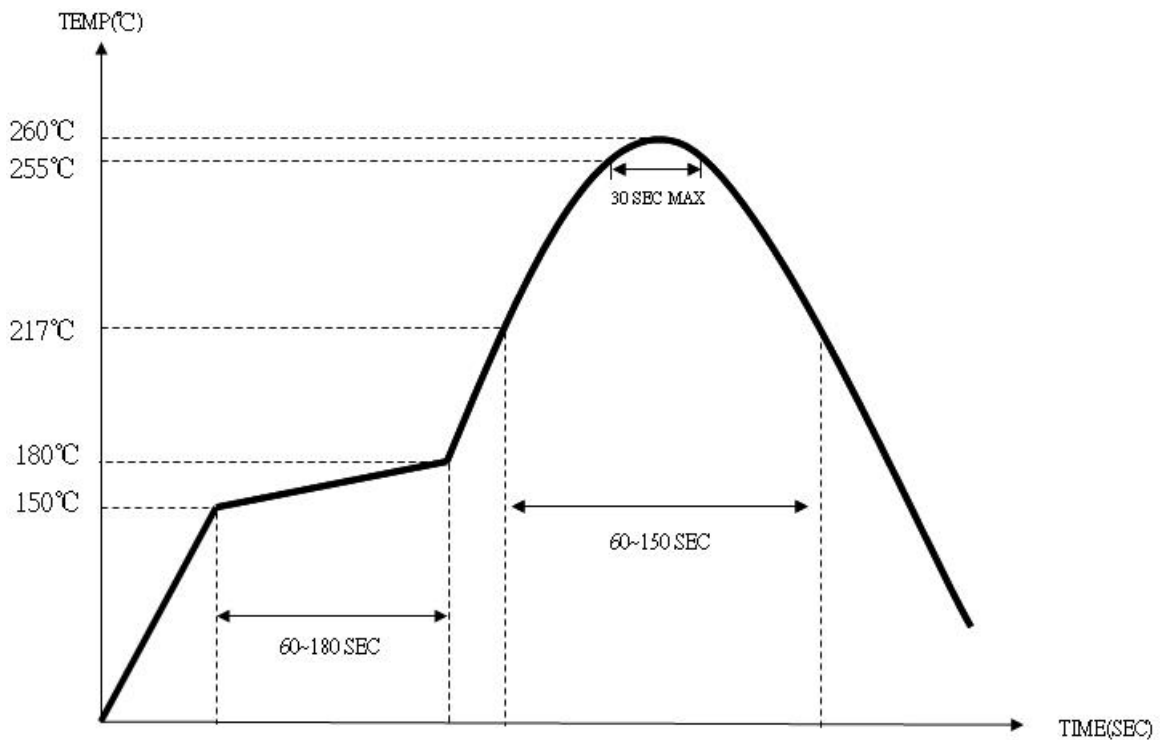


*** In the case, the cover tape is pulled off under the above conditions the cover tape adhesion strength should be as follows. ***

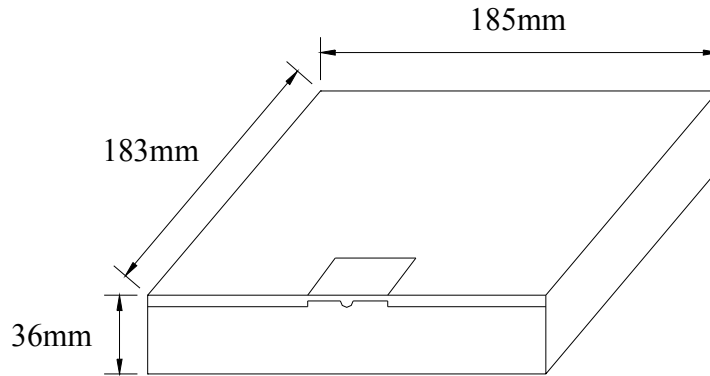
Plastic tape: 10.2g~71.4g

(Cover tape adhesion strength)

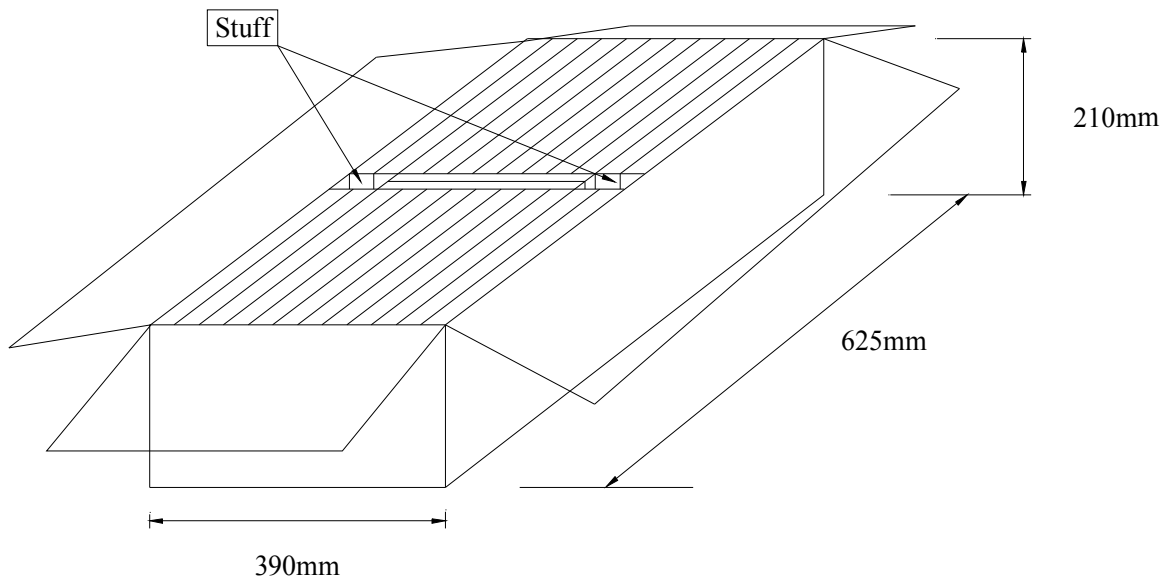
9. SOLDERING REFLOW PROFILE



10. PACKING :



BOX = 3000 PCS / REEL



SMD product packs 32 BOX=The outside box packs (3000 PCS * 32 BOX = 96000 PCS)(MAX)



Aker Approved P/N :		SMDF-135000-3-AL-01	
APPROVED	:	Tin	SHEET : 9 of 9
PREPARED	:	piy	REV . : 1
Confidential			

11 . MECHANICAL PERFORMANCE

TEST ITEMS	TEST METHODS AND TEST CONDITION	PERFORMANCE
11.1 Temperature Cycling	-55±3°C/30min maximum~+125±3°C/30min maximum , 1000cycles	To satisfy the electrical performance .
11.2 Operational Life	125°C±3°C , 1000hrs±12hrs Rated VDD applied.	
11.3 Biased Humidity	85°C±5°C&85%±5%R.H. , 1000±12hrs Rated VDD applied.	
11.4 Resistance To Soldering Heat Test	Reflow test 2 times.	
11.5 High Temperature Exposure	150°C±3°C , 1000hrs±12hrs	
11.6 Vibration Test	Freq.range: 10~2000Hz , Peak to peak amplitude:1.52mm Peak acceleration:5G (49m/s ²) , 3 direction(X, Y,Z) , 20min 12cycles each of 3 orientations.	
11.7 Mechanical Shock	100G , 6mS , 3 times for each direction(X, Y, Z) , 3 cycles	
11.8 Physical Dimension	Verify physical dimensions to the applicable device detail specification.	
11.9 Solderability	260°C , Coated > 95%	
11.10 Board Flex	PCB=100*40(mm) , Bending=2 mm (min) , Duration=60+5/-0 sec	
11.11 External Visual	<u>Inspect device construction and marking.</u>	
11.12 Terminal Strength	A force of 17.7N for 60 seconds.	

X-ON Electronics

Largest Supplier of Electrical and Electronic Components

Click to view similar products for [Aker manufacturer](#):

Other Similar products are found below :

[49M-008000-FX7X11](#) [C16-40.000-8-1015-R](#) [C1E-16.000-12-1530-X-R](#) [C1E-19.200-12-1530-X-R](#) [C1E-24.000-7-2020-R](#) [C1E-27.000-12-1530-X-R](#) [C1E-27.120-12-1530-X-R](#) [C1E-28.63636-10-1530-X-R](#) [C1E-30.000-12-1530-X-R](#) [C1E-30.720-12-1530-X-R](#) [C1E-32.000-12-1530-X-R](#) [C1E-32.000-8-1515-R](#) [C1E-37.400-12-1530-X-R](#) [C1E-38.400-12-1530-X-R](#) [C1E-44.000-10-1530-X-R](#) [C1E-48.000-10-1530-X-R](#) [C1E-48.000-12-1530-X-R](#) [C3E-12.000-8-50100-X1-R](#) [C3E-16.000-8-50100-X1-R](#) [C3E-25.000-8-50100-X1-R](#) [C3E-48.000-10-1530-X-R](#) [C5S-9.984375-6-1515-R](#) [CXA-014745-6X7X40](#) [CXA-016000-2D7D40](#) [CXA-016000-7B6A60](#) [CXA-026000-3F7F20](#) [CXA-026000-3FCF20](#) [CXA-028224-4X6D00](#) [CXA-036000-3F4F20](#) [CXA-038400-AF8D41](#) [CXAF-008000-3-AL-00](#) [CXAF-008000-3-AL-01](#) [CXAF-008000-3-AL-02](#) [CXAF-008000-3-AL-03](#) [CXAF-008000-3-AL-07](#) [CXAF-008000-3-AL-12](#) [CXAF-012000-3-AL-00](#) [CXAF-012000-3-AL-06](#) [CXAF-012000-3-AL-22](#) [CXAF-012000-3-AL-34](#) [CXAF-016000-3-AL-26](#) [CXAF-016000-A-AL-04](#) [CXAF-016000-A-AL-09](#) [CXAF-020000-3-AL-16](#) [CXAF-024000-3-AL-07](#) [CXAF-024000-3-AL-25](#) [CXAF-024000-3-AL-49](#) [CXAF-024000-A-AL-11](#) [CXAF-025000-3-AL-39](#) [CXAF-025000-3F12B60](#)