


## ETUH THERMO-HYGROSTAT

Electronic Hygrothermostat for DIN 35 mm. rail mounting. Typically used to control enclosure heaters. The change over contact triggers either for high humidity or low temperature, independently set adjustable. LED display of power on and status.

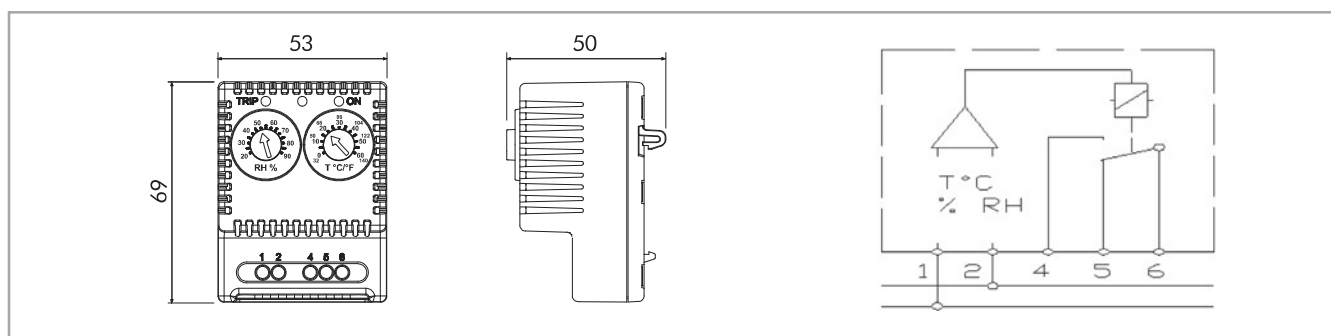


Features	Unit	ETUH11	ETUH22
Power supply	V/Hz	115/50-60	230/50-60
Temperature setting range	°C		0 / +60
Precision	°C		± 1
Temperature Hysteresis	°C		2
Relative Humidity setting range	RH%		20-90
Relative Humidity Hysteresis	%		5
Reaction time	sec		60
Max switching current			
NO at 250Vac resistive load	A		10
NO at 30Vdc resistive load	A		8
NO at 240Vac motor load	Hp		1/2
NO at 120Vac motor load	Hp		1/4
NC at 250Vac resistive load	A		10
NC at 30Vdc resistive load	A		8
Contact type			Change over
Contact resistance			< 10
Service life	cycles		> 100 000
Electrical connection	-		5-pole terminal for 2.5 mm <sup>2</sup> wire
Optical signal	-		LED
Casing	-		PA6, UL94 V0 self-extinguishing, light grey RAL 7035
Protection degree EN60529	-		IP20
Operating / Storage temperature	°C (°F)		-40/+80 (-40/+176)
Mounting	-		Clip for mounting on DIN rail 35 mm EN50022
Installation position	-		Vertical
Conformity/Certifications	-		CE-UL c  us File n. E348803
Dimensions HxWxD	mm		69x53x50
Weight (with packaging)	kg		0.11 (0.12)

### Accessories

DIN rail bracket

GUIDADINPL



Specifications, values and drawings are subject to change without notice.

## X-ON Electronics

Largest Supplier of Electrical and Electronic Components

*Click to view similar products for [Board Mount Humidity Sensors](#) category:*

*Click to view products by [Alfa](#) manufacturer:*

Other Similar products are found below :

[HSHCAA114A](#) [SI7020-A20-IMR](#) [SI7023-A20-IM1R](#) [SI7021-A20-IMR](#) [6921734990105](#) [AHT25](#) [DHT20](#) [CHR03-3035-S](#) [CHR03-2025-S](#)  
[HDC3020DEFR](#) [AM2108](#) [AHS01IB](#) [AM2305B](#) [AHT21B](#) [CHT-DS-I](#) [CHT-DS-R](#) [CHT13](#) [CHT-WS-R](#) [CHT-WS-I](#) [CHT-DG](#) [CHT-SHT30-](#)  
[485](#) [GXHT3WM-T](#) [GXHTC3C](#) [GXHT3WM-P](#) [HDC2021DEBR](#) [HDC3021DEHR](#) [ETUH22](#) [AR252/I/T](#) [AR252/I/L150](#) [07300.1-00](#)  
[HIH8130-000-001](#) [HIH8130-021-001](#) [HTU21D](#) [CC2D35S-SIP](#) [CC2D33S-SIP](#) [CC2D33-SIP](#) [CC2D23S-SIP](#) [CC2D23-SIP](#) [1-100711-01](#) [251-](#)  
[10509](#) [HIH7130-000-001](#) [HIH6131-021-001](#) [HIH-4000-004](#) [HIH-4000-003](#) [HIH-4000-002](#) [HIH7120-021-001](#) [HIH6130-021-001](#) [3.000.465](#)  
[3.000.466](#) [1-101625-01](#)