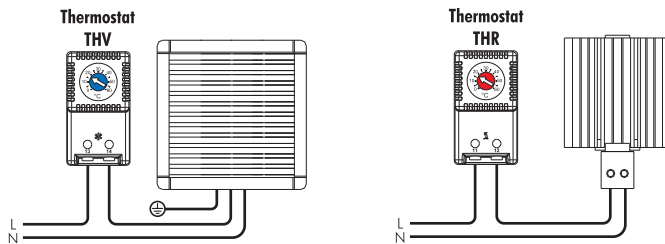





## THV - THR THERMOSTATS

Compact Thermostat for DIN 35 mm. rail mounting. Based on bimetallic junction, provides high capacity NO or NC contact. Two versions available.

THVx	NO Contact	●	Typically used for controlling ventilation devices
THRx	NC Contact	●	Typically used for controlling heaters

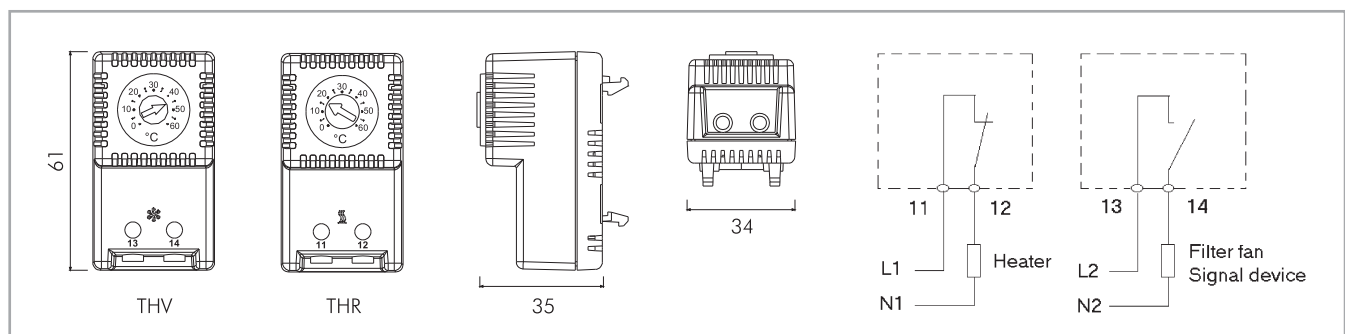


Features	Unit	THR1	THR2	THR3	THV1	THV2	THV3
Contact function	-	NC	NC	NC	NO	NO	NO
Temperature setting range	°C	-10/+50	0/+60	+20/+80	-10/+50	0/+60	+20/+80
Precision	°C	±4					
Hysteresis	°C	7					
Max switching current							
250Vac resistive load (inductive load)	A	10 (1.6)					
125Vac resistive load (inductive load)	A	15 (2.5)					
Max. switching power in Vdc	W	30					
Temperature sensor type	-	Thermostatic bimetal					
Contact type	-	Snap action					
Contact resistance	mOhm	< 10					
Service life	cycles	> 100 000					
Electrical connections	-	2-pole terminal for 2.5 mm <sup>2</sup> wire					
Casing	-	PA6, UL94 V0 self-extinguishing, light grey RAL 7035					
Protection degree EN60529	-	IP20					
Operating temperature	°C (°F)	-25/+80 (-13/+176)					
Storage temperature	°C (°F)	-45/+80 (-49/+176)					
Mounting	-	Clip for mounting on DIN rail 35 mm EN50022					
Installation position	-	Variable					
Conformity/Certifications	-	CE-UL c  us File n. E348803					
Dimensions HxWxD	mm	61x34x35					
Weight (with packaging)	kg	0.048 (0.055)					

### Accessories

DIN rail bracket

GUIDADINPL



Specifications, values and drawings are subject to change without notice.

## X-ON Electronics

Largest Supplier of Electrical and Electronic Components

*Click to view similar products for [Thermostats](#) category:*

*Click to view products by [Alfa](#) manufacturer:*

Other Similar products are found below :

[M24236/1-ECPCR](#) [M24236/1-JFKFF](#) [66F060-0099](#) [66L085-0477](#) [67F080-0356](#) [67L060-0368](#) [67L080-0038](#) [77877-00](#) [ASP200-22](#)  
[1NT08L-7399](#) [O54EAB240B-215Y](#) [22636-00](#) [2450 00210626](#) [2450 00880010](#) [2450CM 80020691](#) [2455RA-94170955](#) [2455RC-00980620](#)  
[2455RCG81170352](#) [2455RM03090005](#) [2455RM 80820736](#) [2455RP-91000430](#) [2455RP-91000433](#) [300004500021](#) [300005510137](#)  
[300005510148](#) [300100140436](#) [300100630004](#) [3001 00830006](#) [2450RC-90820307](#) [2455R--00030829](#) [2455R--01000140](#) [2455R 01060062](#)  
[2455R 86890009](#) [2455RA-04170929](#) [2455RBV01170289](#) [2455RC-01000545](#) [300000460015](#) [300006370001](#) [300079010001](#) [300100240048](#)  
[310000030602](#) [310000031798](#) [310000560067](#) [310000031674](#) [310000031797](#) [310000430100](#) [310002500002](#) [315000500049](#) [320000020701](#)  
[3450G 02040027](#)