

Communication modules

To be combined with UEC1P5 & UEC80 series

- Compact size (1-2 DIN modules)
- Easy to use: no physical connection thanks to optical port to be combined with the energy meter
- Possibility to switch the use of the communication module according to the required application
- Modules: KNX, M-Bus, RS485 Modbus, LAN Gateway



» General description

Compact communication modules suitable for managing energy meters in industrial and civilian application. Thanks to the optical port, the communication with energy meters is quick and easy.

All modules can be combined with the following meters:

- 6A three phase
- 80A three phase
- 80A single phase

RS485 Modbus

RS485 module allows to collect and transmit measurements data of the connected meter to a remote station. This data is transmitted on a RS485 line, using MODBUS RTU or ASCII protocols. MODBUS is the most popular communication protocol designed to allow industrial equipment to communicate. RS485 module is provided with a SET DEFAULT key to reset all communication parameters to factory default values. This function is very useful, i.e. in case of MODBUS logical address forgotten. Two LEDs on the RS485 module provide information about power supply status and communication status.

M-Bus

M-Bus module allows to collect and transmit measurements data of the connected meter to a remote station using M-Bus protocol. M-Bus (Meter-Bus) is a European standard for the remote reading of consumption meters. A free dedicated software is provided for module configuration and for displaying the detected measurements.

LAN Gateway

LAN Gateway module allows to manage a single energy meter by any PC connected to Internet/LAN by means of a simple web browser. LAN Gateway module web pages are designed to be cross browser compliant: Internet Explorer, Mozilla Firefox, Apple Safari, Google Chrome, Opera, Netscape navigator are all supported web browsers. Another supported feature is MODBUS TCP protocol. MODBUS TCP is the most popular communication protocol designed to allow industrial equipment to communicate over a network. The use of MODBUS TCP provides a totally scalable solution according to the needs. LAN Gateway module is provided with a SET DEFAULT key to reset all communication parameters to factory default values. This function is very useful, i.e. in case of IP address forgotten.

Two LEDs on LAN Gateway module provide information about link activity and status.

KNX

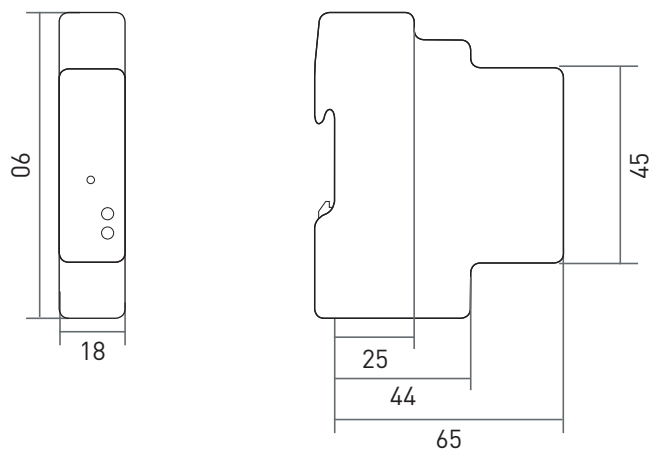
KNX module is a domotic solution for energy meter management to optimise the energy saving. KNX is the worldwide standard for home and building control with a single, manufacturer independent design and commissioning tool (ETS). A single twisted-pair (TP) cable is used for energy meter connection, easy and inexpensive to install: no hub or switch is needed between devices.

» Related products

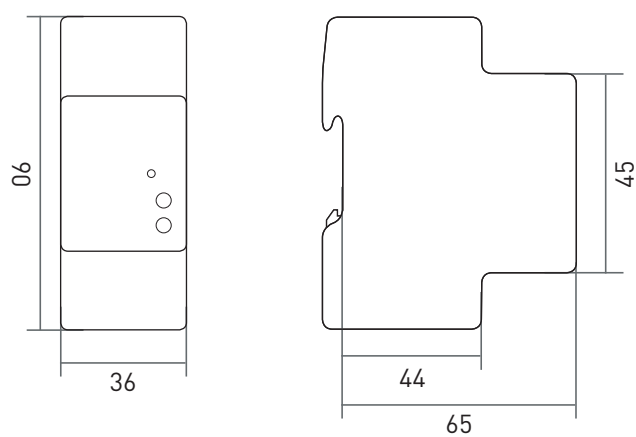
- UEC1P5-4X, UEC80-4X
- UEC80-2X
- UEC1P5-X, UEC80-X

» Technical drawing

RS485 Modbus, M-Bus, KNX communication modules



LAN Gateway communication module



ORDER CODE	POWER SUPPLY	COMMUNICATION PORT				USER MANUAL LANGUAGES		
		RS485 MODBUS	M-BUS	ETHERNET	KNX	ITA/ENG	GER/ENG	FRE/ENG
RS485 Modbus								
1112.0001.0001	230VAC ±20%	●				●		
1112.0005.0001	230VAC ±20%	●					●	
1112.0009.0001	230VAC ±20%	●						●
M-Bus								
1112.0002.0001	Through bus connection		●			●		
1112.0006.0001	Through bus connection		●				●	
1112.0010.0001	Through bus connection		●					●
Lan Gateway								
1112.0003.0001	230VAC ±20%			●		●		
1112.0007.0001	230VAC ±20%			●			●	
1112.0011.0001	230VAC ±20%			●				●
KNX								
1112.0004.0001	24VDC, through bus connection TP1					●	●	

Softwares for module and meter remote management (MODBUS Master, M-BUS Master) downloadable for free at www.algodue.it, in the Client protected area.

NOTE: Subject to change without notice



algodue®
ELETTRONICA

Innovative Electronic Systems

Via P. Gobetti, 16/F - 28014 Maggiore (NO) - Italy - Tel.: +39 0322 89307

sales@algodue.it - www.algodue.com

72PG01_2_201901_2

X-ON Electronics

Largest Supplier of Electrical and Electronic Components

Click to view similar products for [Digital Panel Meters](#) category:

Click to view products by [ALGODUE](#) manufacturer:

Other Similar products are found below :

[M00558-00](#) [70.360.4828.0](#) [72331-00](#) [85310-25](#) [86642-00](#) [87268-13](#) [87316-00](#) [87719-26](#) [98107-56](#) [HB8260-R36-90](#) [DMS-20ACV-3-R-C](#)
[EM11DINAV81XR1X](#) [25.325.3253.1](#) [25.325.4253.1](#) [25.330.0453.1](#) [20046-20](#) [20182-23](#) [AP1021](#) [25.320.5053.0](#) [25.350.3453.1](#)
[25.394.3653.1](#) [25.521.3253.0](#) [28006-01](#) [04.630.1080.0](#) [20078-20](#) [EM11DINAV81XO1X](#) [85874-26](#) [87166-00](#) [87895-00](#) [28000-03](#) [82322K-](#)
[11](#) [86641-00](#) [87004-00](#) [HB8280R2490](#) [HB8260R4890](#) [SCE016MD3MV0W10](#) [20125-21](#) [86640-00](#) [PG-100-103GP](#) [PG-100-102RP](#) [PG-](#)
[100B-102R-H](#) [PG-100B-103R](#) [PG-100B-102R](#) [PG-100N-103R-W](#) [PG-100N-103R](#) [PG-100N-102R](#) [PG-100-102GH](#) [PG-100-103RP](#) [PG-](#)
[100B-103R-M](#) [PG-100-102VP](#)