

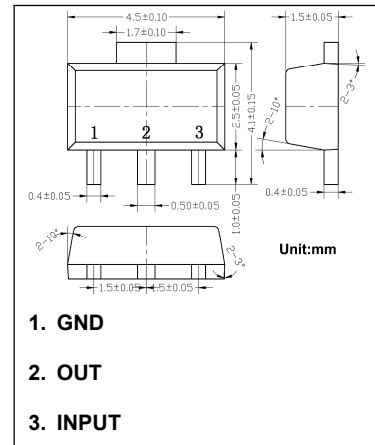
SOT-89 Plastic-Encapsulate Low Dropout Linear Regulators

AMS1117-1.8

Features

- Low Dropout Voltage: 1.15V at 1A Output Current
- Trimmed Current Limit
- On-Chip Thermal Shutdown
- Operation junction Temperature: 0°C to 125°C

Marking: AMS11171.8LJ13



Absolute Maximum Ratings (Operating temperature range applies unless otherwise specified)

Symbol	Parameter	Value	Unit
V _i	Input Voltage	18	V
T _{OPR}	Operating Junction Temperature Range	-20 to +125	°C
T _{STG}	Storage Temperature Range	-65 to +150	°C

Electrical Characteristics at Specified Virtual Junction Temperature

(V_i ≤ 10V, T_J = 25°C, unless otherwise specified)

Symbol	Parameter	Test conditions	Min	Typ	Max	Unit
V _o	Output Voltage	I _o = 10mA, V _i = 3.8V 3.2V ≤ V _i ≤ 10V, 10mA ≤ I _o ≤ 1A	1.764	1.8	1.836	V
ΔV _o	Load Regulation	V _i - V _o = 2V, 10mA ≤ I _o ≤ 1A			10	mV
ΔV _o	Line Regulation	I _o = 10mA, 1.5V ≤ V _i -V _o ≤ 10V			6	mV
V _d	Dropout Voltage	ΔV _{REF} = 1%, I _o = 1A		1.15	1.5	V
I _{limit}	Current Limit	V _i - V _o = 2V	1.25	1.35		A
	Adjust Pin Current			60	120	μA
	Adjust Pin Current Change	1.4V ≤ V _i -V _o ≤ 10V, 10mA ≤ I _o ≤ 1A		0.2	5	μA
	Quiescent Current	V _i = V _o + 1.25V		5	10	mA
		5mA ≤ I _o ≤ 1A	0-125°C			0.5
R _R	Ripple Rejection	f = 120Hz, C _{out} = 22μF Tantalum, V _i - V _o = 3V, I _o = 1A	60	75		dB
	Temperature Stability			0.5		%
	Long-Term Stability			0.3		%
	RMS Output Noise (% of V _o)	T _a = 25°C, 10Hz ≤ f ≤ 10KHz		0.003		%

X-ON Electronics

Largest Supplier of Electrical and Electronic Components

Click to view similar products for [LDO Voltage Regulators](#) category:

Click to view products by [ALJ](#) manufacturer:

Other Similar products are found below :

[AP7363-SP-13](#) [NCV8664CST33T3G](#) [L79M05TL-E](#) [AP7362-HA-7](#) [PT7M8202B12TA5EX](#) [TCR3DF185,LM\(CT](#) [TLF4949EJ](#)
[NCP4687DH15T1G](#) [NCV8703MX30TCG](#) [LP2951CN](#) [NCV4269CPD50R2G](#) [AP7315-25W5-7](#) [NCV47411PAAJR2G](#) [AP2111H-1.2TRG1](#)
[ZLDO1117QK50TC](#) [AZ1117ID-ADJTRG1](#) [NCV4263-2CPD50R2G](#) [NCP114BMX075TCG](#) [MC33269T-3.5G](#) [TLE4471GXT](#) [AP7315-33SA-](#)
[7](#) [NCV4266-2CST33T3G](#) [NCP715SQ15T2G](#) [NCV8623MN-50R2G](#) [NCV563SQ18T1G](#) [NCV8664CDT33RKG](#) [NCV4299CD250R2G](#)
[NCP715MX30TBG](#) [NCV8702MX25TCG](#) [L974113TR](#) [TLE7270-2E](#) [NCV562SQ25T1G](#) [AP2213D-3.3TRG1](#) [AP2202K-2.6TRE1](#)
[NCV8170BMX300TCG](#) [NCV8152MX300180TCG](#) [NCP700CMT45TBG](#) [AP7315-33W5-7](#) [LD56100DPU28R](#) [NCP154MX180300TAG](#)
[AP2210K-3.0TRE1](#) [AP2113AMTR-G1](#) [NJW4104U2-33A-TE1](#) [MP2013AGG-5-P](#) [NCV8775CDT50RKG](#) [NJM2878F3-45-TE1](#) [S-](#)
[19214B00A-V5T2U7](#) [S-19214B50A-V5T2U7](#) [S-19213B50A-V5T2U7](#) [S-19214BC0A-E8T1U7*1](#)