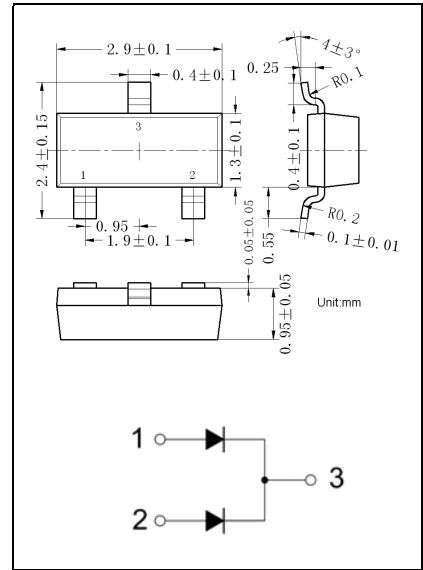


SOT-23 Plastic-Encapsulate Diodes

BAV70 SWITCHING DIODE

FEATURES

- Fast Switching Speed
- For General Purpose Switching Applications
- High Conductance



Maximum Ratings @Ta=25°C

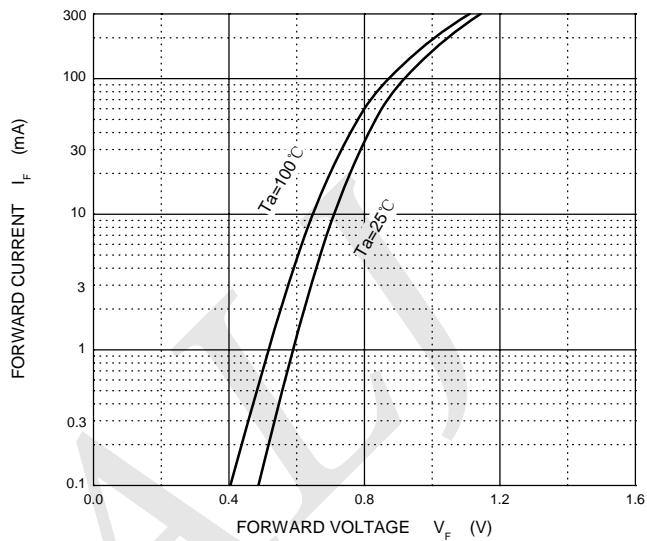
Symbol	Parameter	Limit	Unit
V _{RRM}	Peak Repetitive Peak Reverse Voltage	100	V
V _{RWM}	Working Peak Reverse Voltage		
V _R	DC Blocking Voltage		
I _F	Forward Current	215	mA
I _{FSM}	Non-Repetitive Peak Forward Surge Current @t=8.3ms	2.0	A
P _D	Power Dissipation	350	mW
R _{θJA}	Thermal Resistance Junction to Ambient	357	°C/W
T _J	Junction Temperature	150	°C
T _{STG}	Storage Temperature range	-55~+150	°C

Electrical Characteristics @Ta=25°C

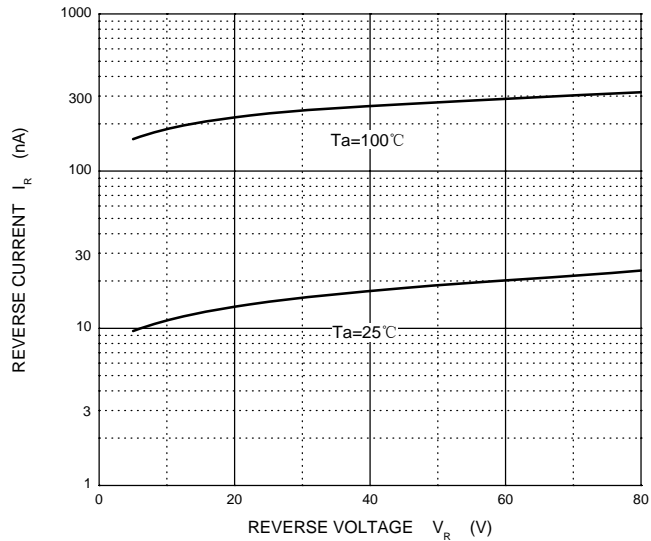
Symbol	Parameter	Min	Typ	Max	Unit	Conditions
V _R	Reverse breakdown voltage	75			V	I _R =100μA
V _{F1}	Forward voltage			0.715	V	I _F =1mA
V _{F2}				0.855	V	I _F =10mA
V _{F3}				1	V	I _F =50mA
V _{F4}				1.25	V	I _F =150mA
I _R	Reverse current			2.5	μA	V _R =75V
C _T	Capacitance between terminals			2	pF	V _R =0, f=1MHz
t _{rr}	Reverse recovery time			4	ns	I _F = I _R = 10mA, I _{rr} = 0.1 x I _R , R _L = 100Ω

Typical Characteristics

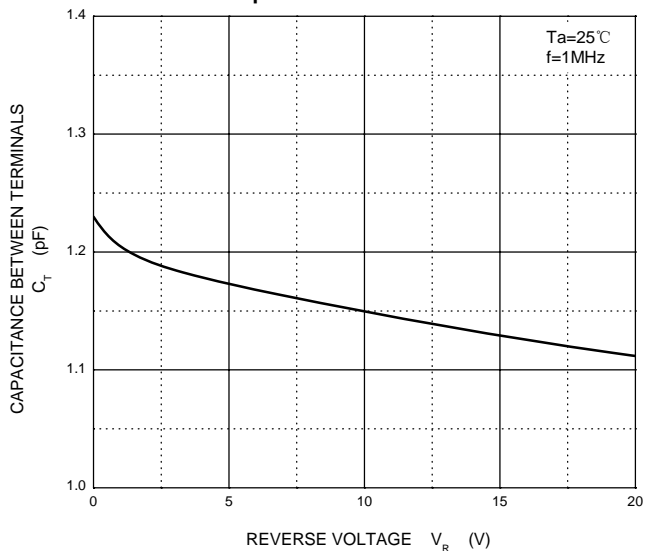
Forward Characteristics



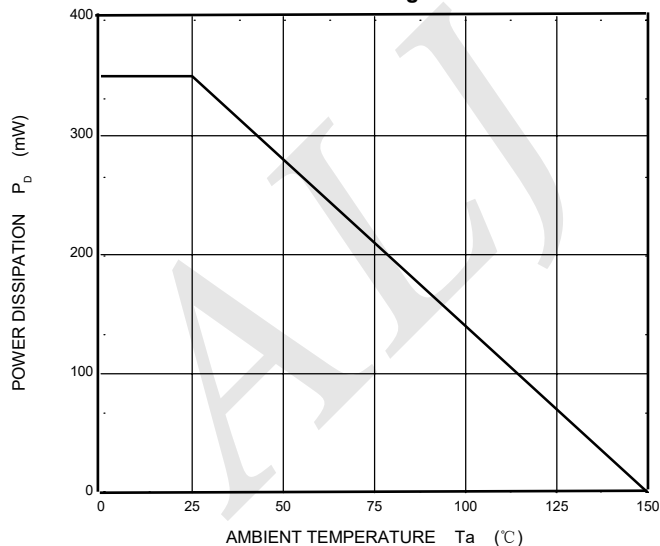
Reverse Characteristics



Capacitance Characteristics



Power Derating Curve



X-ON Electronics

Largest Supplier of Electrical and Electronic Components

Click to view similar products for [Diodes - General Purpose, Power, Switching category](#):

Click to view products by [ALJ manufacturer](#):

Other Similar products are found below :

[MMBD3004S-13-F](#) [1N3611](#) [NTE156A](#) [NTE6244](#) [1SS400CST2RA](#) [SDAA13](#) [SHN2D02FUTW1T1G](#) [1N4449](#) [1N456A](#) [1N914BTR](#)
[D291S45T](#) [BAS 16-02L E6327](#) [BAS 16-02V H6327](#) [BAS 21U E6327](#) [BAS 28 E6327](#) [BAW56DWQ-7-F](#) [BAW56M3T5G](#) [BAW75-TAP](#)
[MM230L-CAA](#) [IDW40E65D1](#) [JAN1N3600](#) [JAN1N4454UR-1](#) [SMMSD4148T3G](#) [BYW95B/A52A](#) [NSVDAN222T1G](#) [CDSZC01100-HF](#)
[BAV70HDW-7](#) [BAS28-7](#) [JANTX1N6640](#) [BAW56HDW-13](#) [BAS28 TR](#) [VS-HFA04SD60STR-M3](#) [1SS388-TP](#) [BAV99TQ-13-F](#)
[BAV99HDW-13](#) [1N4004](#) [MMDB30-E28X](#) [LS4148](#) [IDV15E65D2](#) [W0503RH200S0L](#) [M0268SJ200NLF](#) [M0268RJ200NLF](#) [S3MBF](#) [US1J](#)
[DAN217U-TP](#) [SHV-06JNS-Q](#) [IDW30C65D1](#) [IDW80C65D1](#) [VS-HFA30TA60CSR-M3](#) [M1MA152WAT1](#)