

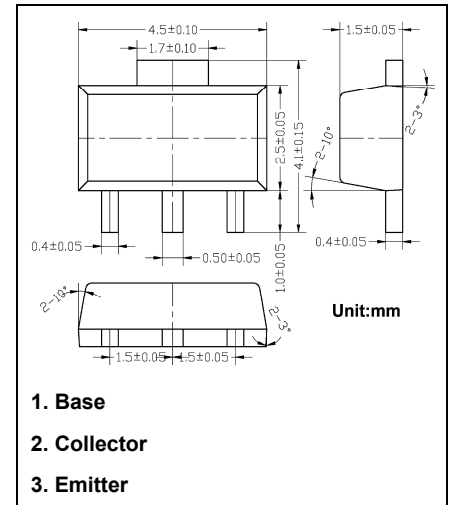
SOT-89 Plastic-Encapsulate Transistors

SS8550 PNP Transistors

Features

- Power Dissipation
P_C: 1W (T_a = 25°C)

Marking: Y2



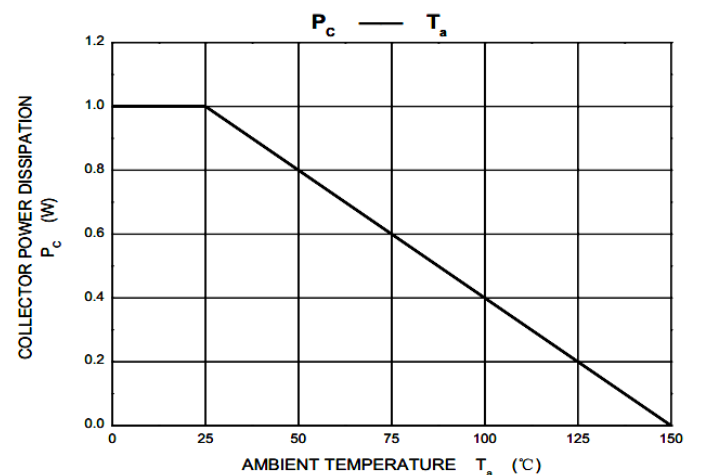
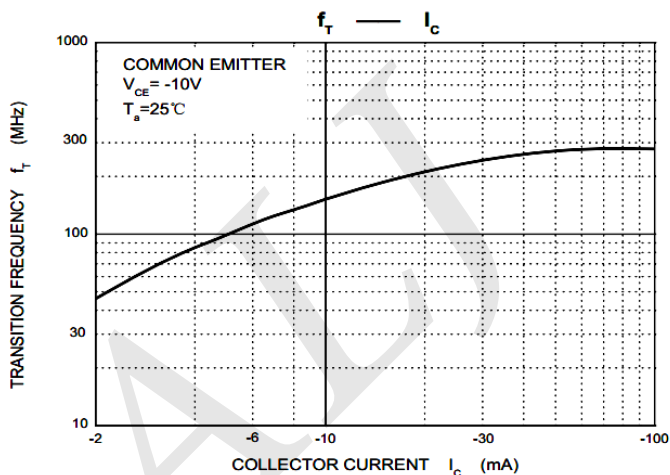
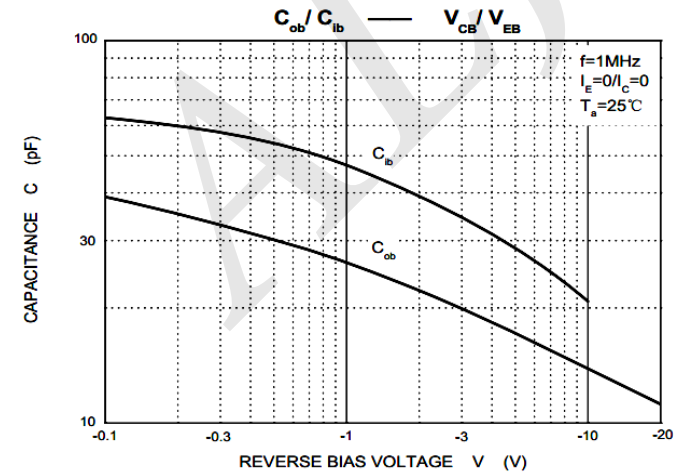
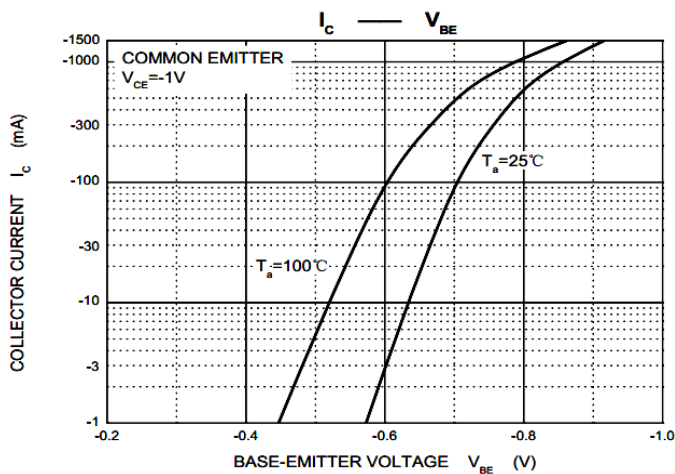
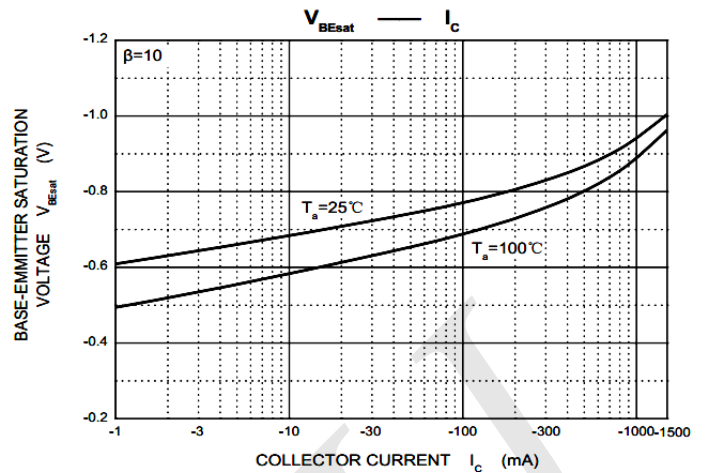
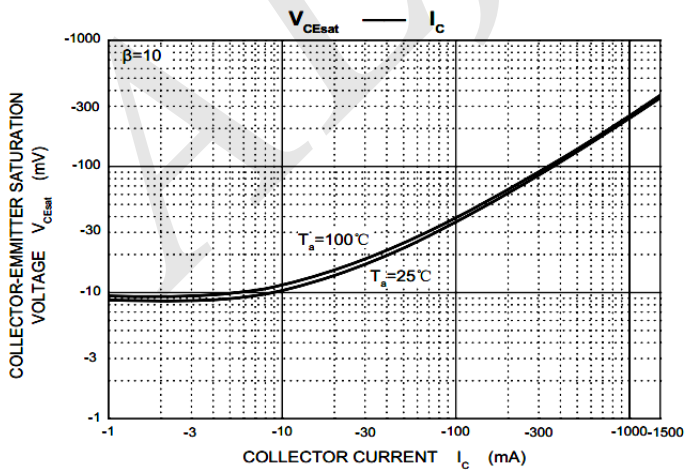
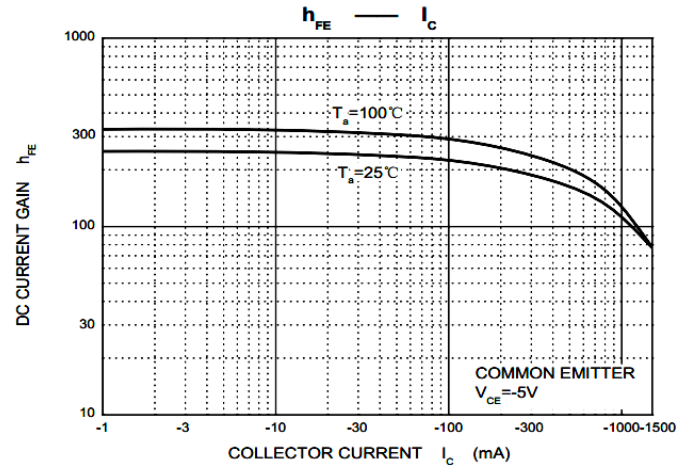
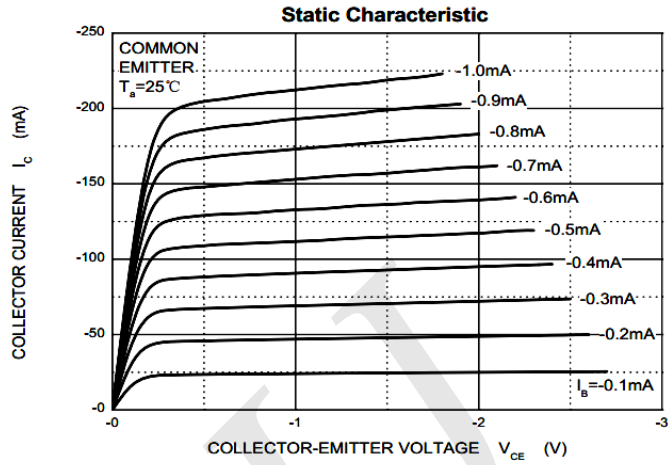
Maximum Ratings (T_a=25°C unless otherwise noted)

Symbol	Parameter	Value	Unit
V _{CB0}	Collector Base Voltage	-40	V
V _{CE0}	Collector Emitter Voltage	-25	V
V _{EBO}	Emitter Base Voltage	-5	V
I _c	Collector Current	-1.5	A
T _j	Junction Temperature	150	°C
T _{stg}	Storage Temperature	-55 ~ 150	°C

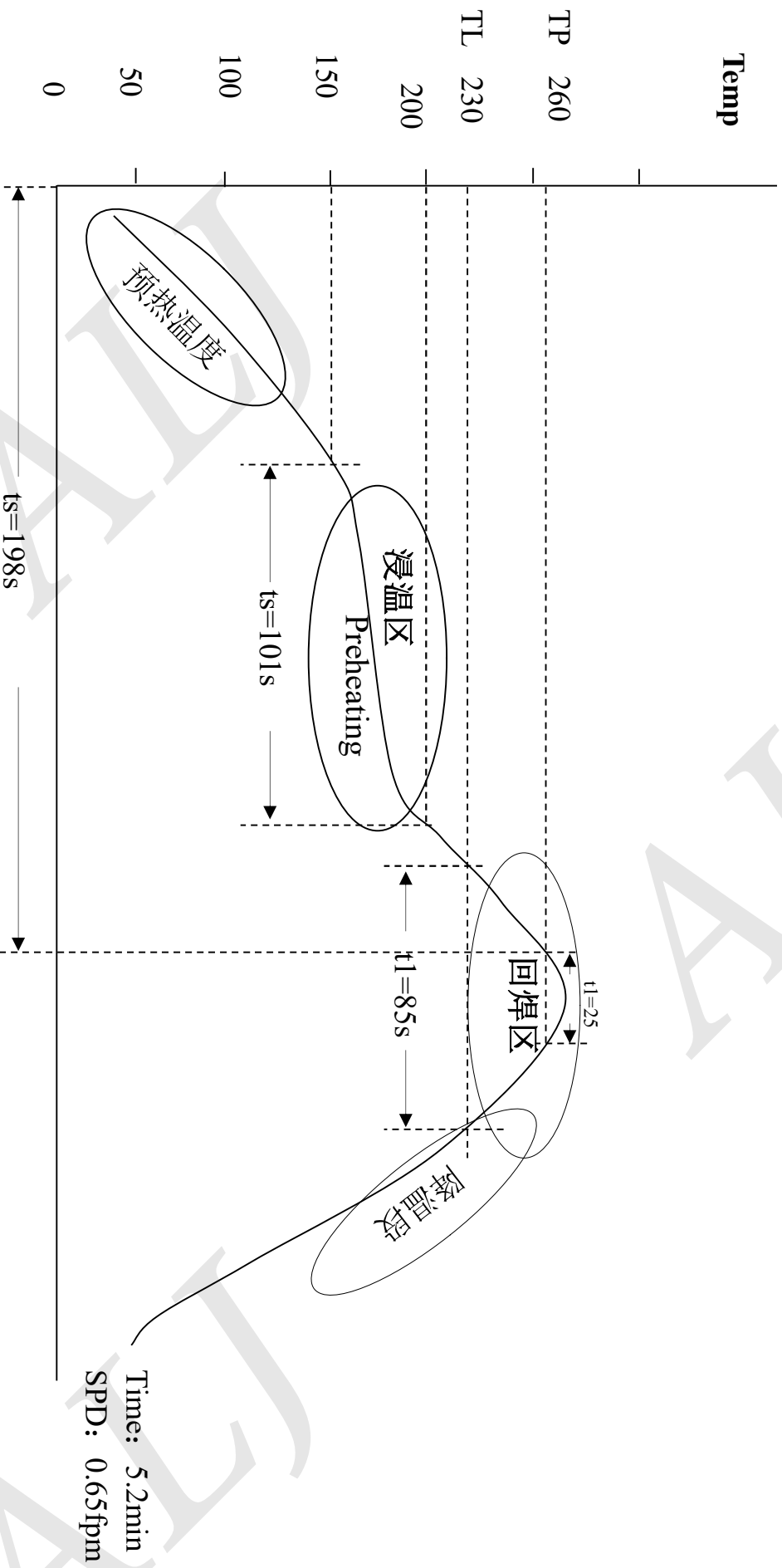
Electrical Characteristics (T_a=25°C unless otherwise specified)

Symbol	Parameter	Test Conditions	Min	Typ	Max	Unit
V _{(BR)CBO}	Collector-base breakdown voltage	I _C = -100μA, I _E = 0	-40			V
V _{(BR)CEO}	Collector-emitter breakdown voltage	I _C = -0.1mA, I _B = 0	-25			V
V _{(BR)EBO}	Emitter-base breakdown voltage	I _E = -100μA, I _C = 0	-5			V
I _{CBO}	Collector cut-off current	V _{CB} = -40V, I _E = 0			-100	nA
I _{CEO}	Collector cut-off current	V _{CE} = -20V, I _B = 0			-100	nA
I _{EBO}	Emitter cut-off current	V _{EB} = -5V, I _C = 0			-100	nA
h _{FE(1)} h _{FE(2)}	DC current gain	V _{CE} = -1V, I _C = -100mA V _{CE} = -1V, I _C = -800mA	200 40		350	
V _{CE(sat)}	Collector-emitter saturation voltage	I _C = -800mA, I _B = -80mA			-0.5	V
V _{BE(sat)}	Base-emitter saturation voltage	I _C = -800mA, I _B = -80mA			-1.2	V
V _{BE(on)}	Base-emitter on voltage	V _{CE} = -1V, I _C = -10mA			-1	V
C _{ob}	Out capacitance	V _{CB} = -10V, I _E = 0mA, f = 1MHz			20	pF
f _r	Transition frequency	V _{CE} = -10V, I _C = -50mA, f = 30MHz	100			MHz

Typical Characteristics

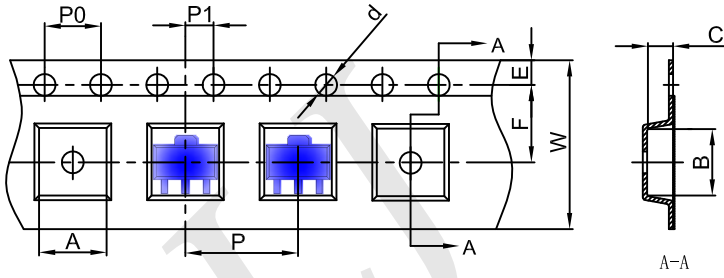


IR—Reflow Profile



SOT-89-3L Tape and Reel

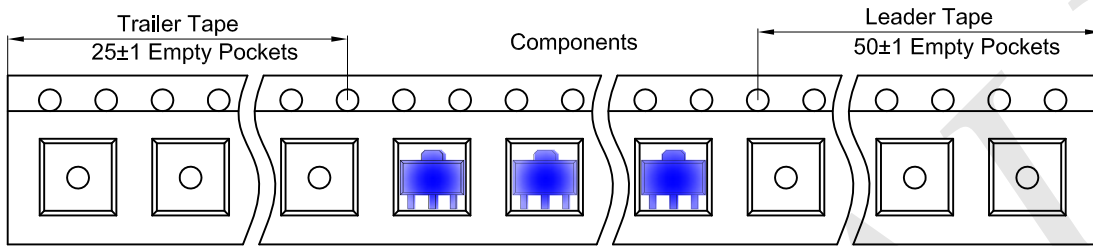
SOT-89-3L Embossed Carrier Tape



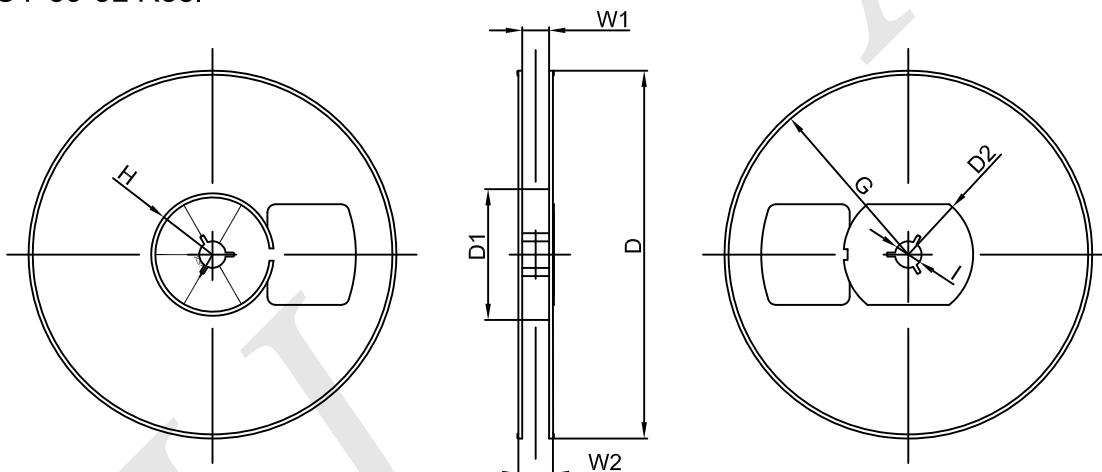
Packaging Description:
 SOT-89-3L parts are shipped in tape. The carrier tape is made from a dissipative (carbon filled) polycarbonate resin. The cover tape is a multilayer film (Heat Activated Adhesive in nature) primarily composed of polyester film, adhesive layer, sealant, and anti-static sprayed agent. These reeled parts in standard option are shipped with 1,000 units per 7" or 18.0 cm diameter reel. The reels are clear in color and is made of polystyrene plastic (anti-static coated).

Dimensions are in millimeter										
Pkg type	A	B	C	d	E	F	P0	P	P1	W
SOT-89-3L	4.85	4.45	1.85	Ø1.50	1.75	5.50	4.00	8.00	2.00	12.00

SOT-89-3L Tape Leader and Trailer



SOT-89-3L Reel



Dimensions are in millimeter								
Reel Option	D	D1	D2	G	H	I	W1	W2
7" Dia	Ø180.00	60.00	R32.00	R86.50	R30.00	Ø13.00	13.20	16.50

REEL	Reel Size	Box	Box Size(mm)	Carton	Carton Size(mm)	G.W.(kg)
1000 pcs	7 inch	10,000 pcs	203×203×195	40,000 pcs	438×438×220	

X-ON Electronics

Largest Supplier of Electrical and Electronic Components

Click to view similar products for [Bipolar Transistors - BJT category](#):

Click to view products by [ALJ manufacturer](#):

Other Similar products are found below :

[BC559C](#) [MCH4017-TL-H](#) [MMBT-2369-TR](#) [BC546/116](#) [NJVMJD148T4G](#) [NTE16](#) [NTE195A](#) [IMX9T110](#) [2N4401-A](#) [2N6728](#) [2SA1419T-TD-H](#) [2SB1204S-TL-E](#) [2SC5488A-TL-H](#) [FMC5AT148](#) [2N2369ADCSM](#) [2N2907A](#) [2N3904-NS](#) [2N5769](#) [2SC4618TLN](#) [CPH6501-TL-E](#) [BC856BW-13-F](#) [US6T6TR](#) [BAX18/A52R](#) [BC556/112](#) [IMZ2AT108](#) [MMST8098T146](#) [MCH6102-TL-E](#) [BC846B-13-F](#) [2N3879](#) [30A02MH-TL-E](#) [NTE13](#) [NTE282](#) [NTE323](#) [NTE350](#) [NTE81](#) [JANTX2N2920L](#) [JANSR2N2907AUB](#) [CMLT3946EG TR](#) [SNSS40600CF8T1G](#) [CMLT3906EG TR](#) [GRP-DATA-JANS2N2907AUB](#) [GRP-DATA-JANS2N2222AUA](#) [MMDT3946FL3-7](#) [2N4240](#) [JANS2N3019](#) [MSB30KH-13](#) [2N2221AUB](#) [2SD1815T-TL-E](#) [2N6678](#) [2N2907Ae4](#)