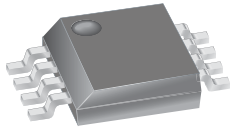


## Fully Integrated, Hall Effect-Based Linear Current Sensor with 2.1 kVRMS Voltage Isolation and a Low-Resistance Current Conductor

### Features and Benefits

- Low-noise analog signal path
- Device bandwidth is set via the new FILTER pin
- 5  $\mu$ s output rise time in response to step input current
- 50 kHz bandwidth
- Total output error 1.5% at  $T_A = 25^\circ\text{C}$ , and 4% at  $-40^\circ\text{C}$  to  $85^\circ\text{C}$
- Small footprint, low-profile SOIC8 package
- 1.2 m $\Omega$  internal conductor resistance
- 2.1 kV<sub>RMS</sub> minimum isolation voltage from pins 1-4 to pins 5-8
- 5.0 V, single supply operation
- 66 to 185 mV/A output sensitivity
- Output voltage proportional to AC or DC currents
- Factory-trimmed for accuracy
- Extremely stable output offset voltage
- Nearly zero magnetic hysteresis
- Ratiometric output from supply voltage

### Package: 8 pin SOIC (suffix LC)



Approximate Scale 1:1



### Description

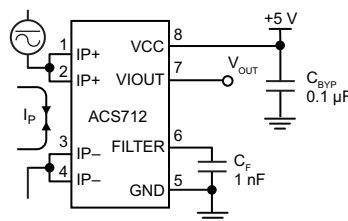
The Allegro<sup>®</sup> ACS712 provides economical and precise solutions for AC or DC current sensing in industrial, automotive, commercial, and communications systems. The device package allows for easy implementation by the customer. Typical applications include motor control, load detection and management, switched-mode power supplies, and overcurrent fault protection.

The device consists of a precise, low-offset, linear Hall sensor circuit with a copper conduction path located near the surface of the die. Applied current flowing through this copper conduction path generates a magnetic field which is sensed by the integrated Hall IC and converted into a proportional voltage. Device accuracy is optimized through the close proximity of the magnetic signal to the Hall transducer. A precise, proportional voltage is provided by the low-offset, chopper-stabilized BiCMOS Hall IC, which is programmed for accuracy after packaging.

The output of the device has a positive slope ( $>V_{IOUT(Q)}$ ) when an increasing current flows through the primary copper conduction path (from pins 1 and 2, to pins 3 and 4), which is the path used for current sensing. The internal resistance of this conductive path is 1.2 m $\Omega$  typical, providing low power

*Continued on the next page...*

### Typical Application



Application 1. The ACS712 outputs an analog signal,  $V_{OUT}$ , that varies linearly with the uni- or bi-directional AC or DC primary sensed current,  $I_P$ , within the range specified.  $C_F$  is recommended for noise management, with values that depend on the application.

# ACS712

## Fully Integrated, Hall Effect-Based Linear Current Sensor with 2.1 kVRMS Voltage Isolation and a Low-Resistance Current Conductor

### Description (continued)

loss. The thickness of the copper conductor allows survival of the device at up to 5× overcurrent conditions. The terminals of the conductive path are electrically isolated from the sensor leads (pins 5 through 8). This allows the ACS712 current sensor to be used in applications requiring electrical isolation without the use of opto-isolators or other costly isolation techniques.

The ACS712 is provided in a small, surface mount SOIC8 package. The leadframe is plated with 100% matte tin, which is compatible with standard lead (Pb) free printed circuit board assembly processes. Internally, the device is Pb-free, except for flip-chip high-temperature Pb-based solder balls, currently exempt from RoHS. The device is fully calibrated prior to shipment from the factory.

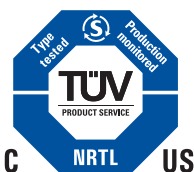
### Selection Guide

| Part Number       | Packing*                        | T <sub>OP</sub> (°C) | Optimized Range, I <sub>P</sub> (A) | Sensitivity, Sens (Typ) (mV/A) |
|-------------------|---------------------------------|----------------------|-------------------------------------|--------------------------------|
| ACS712ELCTR-05B-T | Tape and reel, 3000 pieces/reel | -40 to 85            | ±5                                  | 185                            |
| ACS712ELCTR-20A-T | Tape and reel, 3000 pieces/reel | -40 to 85            | ±20                                 | 100                            |
| ACS712ELCTR-30A-T | Tape and reel, 3000 pieces/reel | -40 to 85            | ±30                                 | 66                             |

\*Contact Allegro for additional packing options.

### Absolute Maximum Ratings

| Characteristic                        | Symbol                    | Notes   | Rating     | Units |
|---------------------------------------|---------------------------|---|------------|-------|
| Supply Voltage                        | V <sub>CC</sub>           |   | 8          | V     |
| Reverse Supply Voltage                | V <sub>RCC</sub>          |   | -0.1       | V     |
| Output Voltage                        | V <sub>IOUT</sub>         |   | 8          | V     |
| Reverse Output Voltage                | V <sub>RIOUT</sub>        |   | -0.1       | V     |
| Output Current Source                 | I <sub>IOUT(SOURCE)</sub> |   | 3          | mA    |
| Output Current Sink                   | I <sub>IOUT(SINK)</sub>   |   | 10         | mA    |
| Overcurrent Transient Tolerance       | I <sub>P</sub>            | 100 total pulses, 250 ms duration each, applied at a rate of 1 pulse every 100 seconds. | 60         | A     |
| Maximum Transient Sensed Current      | I <sub>R(max)</sub>       | Junction Temperature, T <sub>J</sub> < T <sub>J(max)</sub>                              | 60         | A     |
| Nominal Operating Ambient Temperature | T <sub>A</sub>            | Range E   | -40 to 85  | °C    |
| Maximum Junction                      | T <sub>J(max)</sub>       |   | 165        | °C    |
| Storage Temperature                   | T <sub>stg</sub>          |   | -65 to 170 | °C    |



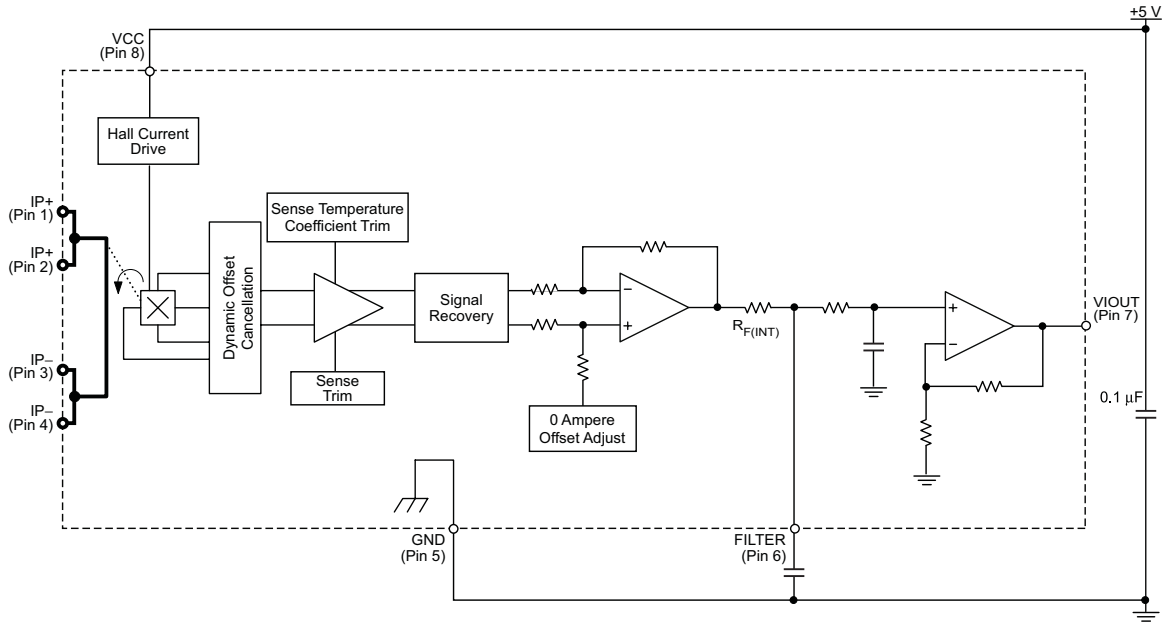
TÜV America  
Certificate Number:  
U8V 06 05 54214 010

| Parameter               | Specification  |
|-------------------------|--|
| Fire and Electric Shock | CAN/CSA-C22.2 No. 60950-1-03<br>UL 60950-1:2003<br>EN 60950-1:2001 |

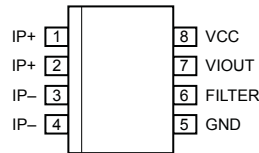


Allegro MicroSystems, Inc.  
115 Northeast Cutoff, Box 15036  
Worcester, Massachusetts 01615-0036 (508) 853-5000  
www.allegromicro.com

### Functional Block Diagram



### Pin-out Diagram



### Terminal List Table

| Number  | Name   | Description  |
|---------|--------|--|
| 1 and 2 | IP+    | Terminals for current being sensed; fused internally |
| 3 and 4 | IP-    | Terminals for current being sensed; fused internally |
| 5       | GND    | Signal ground terminal                               |
| 6       | FILTER | Terminal for external capacitor that sets bandwidth  |
| 7       | VIOUT  | Analog output signal                                 |
| 8       | VCC    | Device power supply terminal                         |

### COMMON OPERATING CHARACTERISTICS<sup>1</sup> over full range of $T_{OP}$ , $C_F = 1$ nF, and $V_{CC} = 5$ V, unless otherwise specified

| Characteristic                          | Symbol         | Test Conditions  | Min.      | Typ.                   | Max.      | Units         |
|---|----------------|--|-----------|------------------------|-----------|---------------|
| <b>ELECTRICAL CHARACTERISTICS</b>       |                |  |           |                        |           |               |
| Supply Voltage                          | $V_{CC}$       |  | 4.5       | 5.0                    | 5.5       | V             |
| Supply Current                          | $I_{CC}$       | $V_{CC} = 5.0$ V, output open  | 6         | 8                      | 11        | mA            |
| Output Zener Clamp Voltage              | $V_Z$          | $I_{CC} = 11$ mA, $T_A = 25^\circ\text{C}$   | 6         | 8.3                    | –         | V             |
| Output Resistance                       | $R_{IOUT}$     | $I_{IOUT} = 1.2$ mA, $T_A = 25^\circ\text{C}$  | –         | 1                      | 2         | $\Omega$      |
| Output Capacitance Load                 | $C_{LOAD}$     | $V_{IOUT}$ to GND  | –         | –                      | 10        | nF            |
| Output Resistive Load                   | $R_{LOAD}$     | $V_{IOUT}$ to GND  | 4.7       | –                      | –         | k $\Omega$    |
| Primary Conductor Resistance            | $R_{PRIMARY}$  | $T_A = 25^\circ\text{C}$   | –         | 1.2                    | –         | m $\Omega$    |
| RMS Isolation Voltage                   | $V_{ISORMS}$   | Pins 1-4 and 5-8; 60 Hz, 1 minute, $T_A = 25^\circ\text{C}$                                    | 2100      | –                      | –         | V             |
| DC Isolation Voltage                    | $V_{ISODC}$    | Pins 1-4 and 5-8; 1 minute, $T_A = 25^\circ\text{C}$   | –         | 5000                   | –         | V             |
| Propagation Time                        | $t_{PROP}$     | $I_P = I_P(\text{max})$ , $T_A = 25^\circ\text{C}$ , $C_{OUT} = \text{open}$                   | –         | 3                      | –         | $\mu\text{s}$ |
| Response Time                           | $t_{RESPONSE}$ | $I_P = I_P(\text{max})$ , $T_A = 25^\circ\text{C}$ , $C_{OUT} = \text{open}$                   | –         | 7                      | –         | $\mu\text{s}$ |
| Rise Time                               | $t_r$          | $I_P = I_P(\text{max})$ , $T_A = 25^\circ\text{C}$ , $C_{OUT} = \text{open}$                   | –         | 5                      | –         | $\mu\text{s}$ |
| Frequency Bandwidth                     | $f$            | –3 dB, $T_A = 25^\circ\text{C}$ ; $I_P$ is 10 A peak-to-peak                                   | 50        | –                      | –         | kHz           |
| Nonlinearity                            | $E_{LIN}$      | Over full range of $I_P$   | –         | $\pm 1$                | $\pm 1.5$ | %             |
| Symmetry                                | $E_{SYM}$      | Over full range of $I_P$   | 98        | 100                    | 102       | %             |
| Zero Current Output Voltage             | $V_{IOUT(Q)}$  | Bidirectional; $I_P = 0$ A, $T_A = 25^\circ\text{C}$   | –         | $V_{CC} \times 0.5$    | –         | V             |
| Magnetic Offset Error                   | $V_{ERROM}$    | $I_P = 0$ A, after excursion of 5 A  | –         | 0                      | –         | mV            |
| Clamping Voltage                        | $V_{CH}$       |  | Typ. –110 | $V_{CC} \times 0.9375$ | Typ. +110 | mV            |
|   | $V_{CL}$       |  | Typ. –110 | $V_{CC} \times 0.0625$ | Typ. +110 | mV            |
| Power-On Time                           | $t_{PO}$       | Output reaches 90% of steady-state level, $T_J = 25^\circ\text{C}$ , 20 A present on leadframe | –         | 35                     | –         | $\mu\text{s}$ |
| Magnetic Coupling <sup>2</sup>          |                |  | –         | 12                     | –         | G/A           |
| Internal Filter Resistance <sup>3</sup> | $R_{F(INT)}$   |  |           | 1.7                    |           | k $\Omega$    |

<sup>1</sup>Device may be operated at higher primary current levels,  $I_P$ , and ambient,  $T_A$ , and internal leadframe temperatures,  $T_{OP}$ , provided that the Maximum Junction Temperature,  $T_{J(\text{max})}$ , is not exceeded.

<sup>2</sup>1G = 0.1 mT.

<sup>3</sup> $R_{F(INT)}$  forms an RC circuit via the FILTER pin.

### COMMON THERMAL CHARACTERISTICS<sup>1</sup>

|  |                 |   | Min. | Typ. | Max.  | Units              |
|--|-----------------|---|------|------|-------|--------------------|
| Operating Internal Leadframe Temperature         | $T_{OP}$        | E range   | –40  | –    | 85    | $^\circ\text{C}$   |
|  |                 |   |      |      | Value | Units              |
| Junction-to-Lead Thermal Resistance <sup>2</sup> | $R_{\theta JL}$ | Mounted on the Allegro ASEK 712 evaluation board  |      |      | 5     | $^\circ\text{C/W}$ |
| Junction-to-Ambient Thermal Resistance           | $R_{\theta JA}$ | Mounted on the Allegro 85-0322 evaluation board, includes the power consumed by the board |      |      | 23    | $^\circ\text{C/W}$ |

<sup>1</sup>Additional thermal information is available on the Allegro website.

<sup>2</sup>The Allegro evaluation board has 1500 mm<sup>2</sup> of 2 oz. copper on each side, connected to pins 1 and 2, and to pins 3 and 4, with thermal vias connecting the layers. Performance values include the power consumed by the PCB. Further details on the board are available from the Frequently Asked Questions document on our website. Further information about board design and thermal performance also can be found in the Applications Information section of this datasheet.

# ACS712

## Fully Integrated, Hall Effect-Based Linear Current Sensor with 2.1 kVRMS Voltage Isolation and a Low-Resistance Current Conductor

### x05A PERFORMANCE CHARACTERISTICS $T_{OP} = -40^{\circ}\text{C}$ to $85^{\circ}\text{C}$ <sup>1</sup>, $C_F = 1\text{ nF}$ , and $V_{CC} = 5\text{ V}$ , unless otherwise specified

| Characteristic                  | Symbol          | Test Conditions  | Min. | Typ.      | Max. | Units |
|---------------------------------|-----------------|--|------|-----------|------|-------|
| Optimized Accuracy Range        | $I_P$           |  | -5   | -         | 5    | A     |
| Sensitivity <sup>2</sup>        | $Sens_{TA}$     | Over full range of $I_P$ , $T_A = 25^{\circ}\text{C}$  | -    | 185       | -    | mV/A  |
|                                 | $Sens_{TOP}$    | Over full range of $I_P$   | 178  | -         | 193  | mV/A  |
| Noise                           | $V_{NOISE(PP)}$ | Peak-to-peak, $T_A = 25^{\circ}\text{C}$ , 185 mV/A programmed Sensitivity, $C_F = 4.7\text{ nF}$ , $C_{OUT} = \text{open}$ , 20 kHz bandwidth | -    | 45        | -    | mV    |
|                                 |                 | Peak-to-peak, $T_A = 25^{\circ}\text{C}$ , 185 mV/A programmed Sensitivity, $C_F = 47\text{ nF}$ , $C_{OUT} = \text{open}$ , 2 kHz bandwidth   | -    | 20        | -    | mV    |
|                                 |                 | Peak-to-peak, $T_A = 25^{\circ}\text{C}$ , 185 mV/A programmed Sensitivity, $C_F = 1\text{ nF}$ , $C_{OUT} = \text{open}$ , 50 kHz bandwidth   | -    | 75        | -    | mV    |
| Electrical Offset Voltage       | $V_{OE}$        | $I_P = 0\text{ A}$   | -40  | -         | 40   | mV    |
| Total Output Error <sup>3</sup> | $E_{TOT}$       | $I_P = \pm 5\text{ A}$ , $T_A = 25^{\circ}\text{C}$  | -    | $\pm 1.5$ | -    | %     |

<sup>1</sup>Device may be operated at higher primary current levels,  $I_P$ , and ambient temperatures,  $T_{OP}$ , provided that the Maximum Junction Temperature,  $T_{J(max)}$ , is not exceeded.

<sup>2</sup>At  $-40^{\circ}\text{C}$  Sensitivity may shift as much 9% outside of the datasheet limits.

<sup>3</sup>Percentage of  $I_P$ , with  $I_P = 5\text{ A}$ . Output filtered.

### x20A PERFORMANCE CHARACTERISTICS $T_{OP} = -40^{\circ}\text{C}$ to $85^{\circ}\text{C}$ <sup>1</sup>, $C_F = 1\text{ nF}$ , and $V_{CC} = 5\text{ V}$ , unless otherwise specified

| Characteristic                  | Symbol          | Test Conditions  | Min. | Typ.      | Max. | Units |
|---------------------------------|-----------------|--|------|-----------|------|-------|
| Optimized Accuracy Range        | $I_P$           |  | -20  | -         | 20   | A     |
| Sensitivity <sup>2</sup>        | $Sens_{TA}$     | Over full range of $I_P$ , $T_A = 25^{\circ}\text{C}$  | -    | 100       | -    | mV/A  |
|                                 | $Sens_{TOP}$    | Over full range of $I_P$   | 97   | -         | 103  | mV/A  |
| Noise                           | $V_{NOISE(PP)}$ | Peak-to-peak, $T_A = 25^{\circ}\text{C}$ , 100 mV/A programmed Sensitivity, $C_F = 4.7\text{ nF}$ , $C_{OUT} = \text{open}$ , 20 kHz bandwidth | -    | 24        | -    | mV    |
|                                 |                 | Peak-to-peak, $T_A = 25^{\circ}\text{C}$ , 100 mV/A programmed Sensitivity, $C_F = 47\text{ nF}$ , $C_{OUT} = \text{open}$ , 2 kHz bandwidth   | -    | 10        | -    | mV    |
|                                 |                 | Peak-to-peak, $T_A = 25^{\circ}\text{C}$ , 100 mV/A programmed Sensitivity, $C_F = 1\text{ nF}$ , $C_{OUT} = \text{open}$ , 50 kHz bandwidth   | -    | 40        | -    | mV    |
| Electrical Offset Voltage       | $V_{OE}$        | $I_P = 0\text{ A}$   | -30  | -         | 30   | mV    |
| Total Output Error <sup>3</sup> | $E_{TOT}$       | $I_P = \pm 20\text{ A}$ , $T_A = 25^{\circ}\text{C}$   | -    | $\pm 1.5$ | -    | %     |

<sup>1</sup>Device may be operated at higher primary current levels,  $I_P$ , and ambient temperatures,  $T_{OP}$ , provided that the Maximum Junction Temperature,  $T_{J(max)}$ , is not exceeded.

<sup>2</sup>At  $-40^{\circ}\text{C}$  Sensitivity may shift as much 9% outside of the datasheet limits.

<sup>3</sup>Percentage of  $I_P$ , with  $I_P = 20\text{ A}$ . Output filtered.

### x30A PERFORMANCE CHARACTERISTICS $T_{OP} = -40^{\circ}\text{C}$ to $85^{\circ}\text{C}$ <sup>1</sup>, $C_F = 1\text{ nF}$ , and $V_{CC} = 5\text{ V}$ , unless otherwise specified

| Characteristic                  | Symbol          | Test Conditions   | Min. | Typ.      | Max. | Units |
|---------------------------------|-----------------|---|------|-----------|------|-------|
| Optimized Accuracy Range        | $I_P$           |   | -30  | -         | 30   | A     |
| Sensitivity <sup>2</sup>        | $Sens_{TA}$     | Over full range of $I_P$ , $T_A = 25^{\circ}\text{C}$   | -    | 66        | -    | mV/A  |
|                                 | $Sens_{TOP}$    | Over full range of $I_P$  | 64   | -         | 68   | mV/A  |
| Noise                           | $V_{NOISE(PP)}$ | Peak-to-peak, $T_A = 25^{\circ}\text{C}$ , 66 mV/A programmed Sensitivity, $C_F = 4.7\text{ nF}$ , $C_{OUT} = \text{open}$ , 20 kHz bandwidth | -    | 20        | -    | mV    |
|                                 |                 | Peak-to-peak, $T_A = 25^{\circ}\text{C}$ , 66 mV/A programmed Sensitivity, $C_F = 47\text{ nF}$ , $C_{OUT} = \text{open}$ , 2 kHz bandwidth   | -    | 7         | -    | mV    |
|                                 |                 | Peak-to-peak, $T_A = 25^{\circ}\text{C}$ , 66 mV/A programmed Sensitivity, $C_F = 1\text{ nF}$ , $C_{OUT} = \text{open}$ , 50 kHz bandwidth   | -    | 35        | -    | mV    |
| Electrical Offset Voltage       | $V_{OE}$        | $I_P = 0\text{ A}$  | -30  | -         | 30   | mV    |
| Total Output Error <sup>3</sup> | $E_{TOT}$       | $I_P = \pm 30\text{ A}$ , $T_A = 25^{\circ}\text{C}$  | -    | $\pm 1.5$ | -    | %     |

<sup>1</sup>Device may be operated at higher primary current levels,  $I_P$ , and ambient temperatures,  $T_{OP}$ , provided that the Maximum Junction Temperature,  $T_{J(max)}$ , is not exceeded.

<sup>2</sup>At  $-40^{\circ}\text{C}$  Sensitivity may shift as much 9% outside of the datasheet limits.

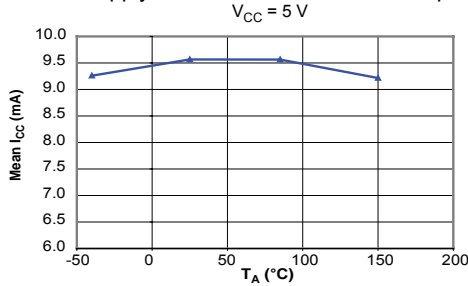
<sup>3</sup>Percentage of  $I_P$ , with  $I_P = 30\text{ A}$ . Output filtered.



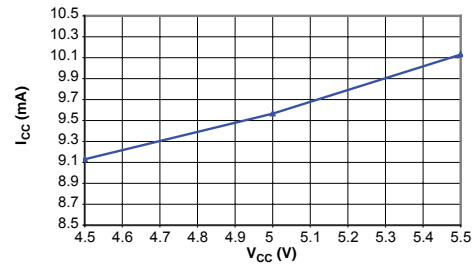
### Characteristic Performance

$I_P = 5\text{ A}$ , Sens = 185 mV/A unless otherwise specified

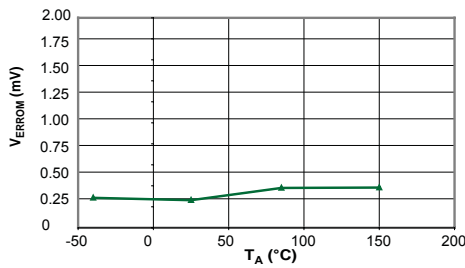
Mean Supply Current versus Ambient Temperature



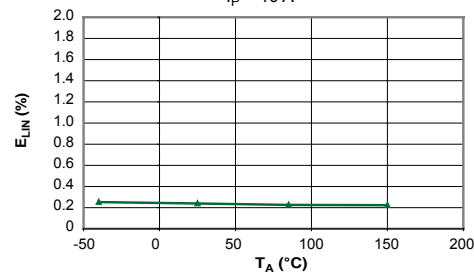
Supply Current versus Supply Voltage



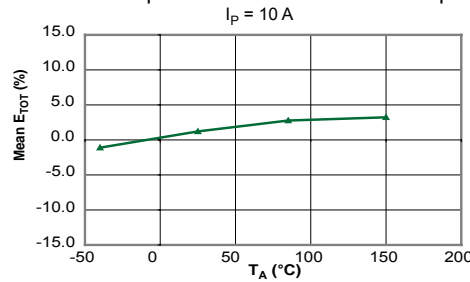
Magnetic Offset versus Ambient Temperature



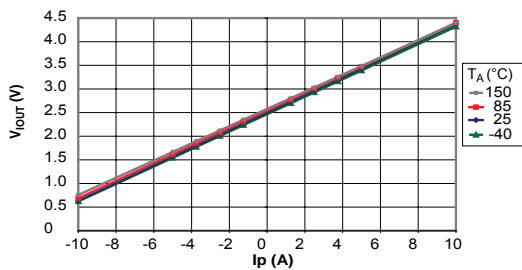
Nonlinearity versus Ambient Temperature



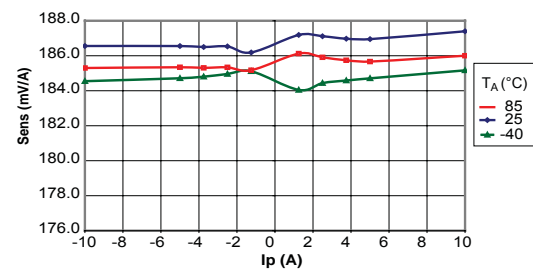
Mean Total Output Error versus Ambient Temperature



Output Voltage versus Sensed Current



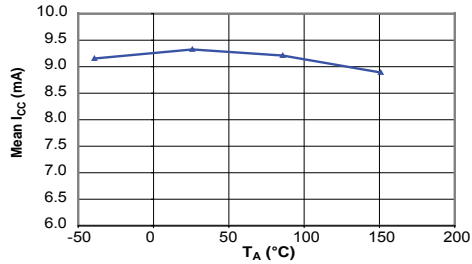
Sensitivity versus Sensed Current



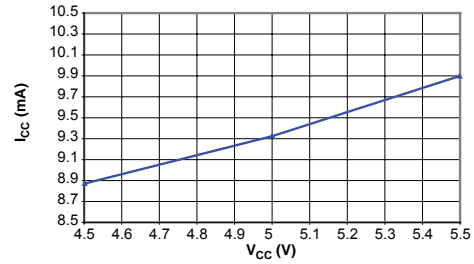
### Characteristic Performance

$I_P = 30\text{ A}$ , Sens = 66 mV/A unless otherwise specified

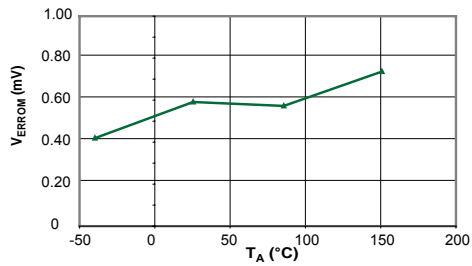
Mean Supply Current versus Ambient Temperature  
 $V_{CC} = 5\text{ V}$



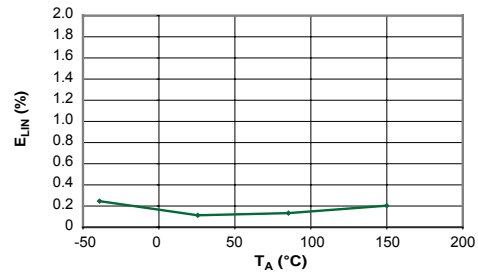
Supply Current versus Supply Voltage



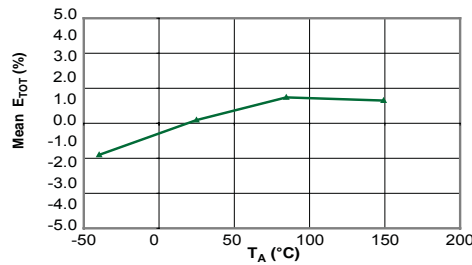
Magnetic Offset Current versus Ambient Temperature



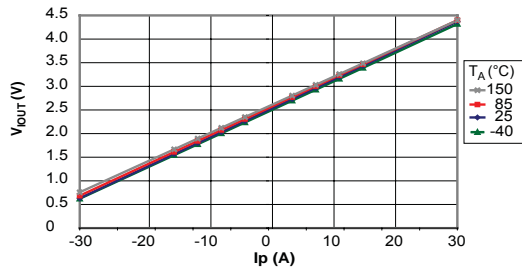
Nonlinearity versus Ambient Temperature



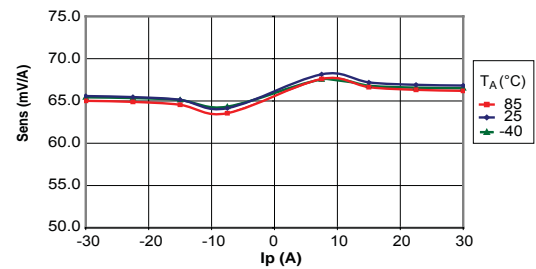
Mean Total Output Error versus Ambient Temperature



Output Voltage versus Sensed Current



Sensitivity versus Sensed Current



### Definitions of Accuracy Characteristics

**Sensitivity (Sens).** The change in sensor output in response to a 1 A change through the primary conductor. The sensitivity is the product of the magnetic circuit sensitivity (G/A) and the linear IC amplifier gain (mV/G). The linear IC amplifier gain is programmed at the factory to optimize the sensitivity (mV/A) for the full-scale current of the device.

**Noise ( $V_{NOISE}$ ).** The product of the linear IC amplifier gain (mV/G) and the noise floor for the Allegro Hall effect linear IC ( $\approx 1$  G). The noise floor is derived from the thermal and shot noise observed in Hall elements. Dividing the noise (mV) by the sensitivity (mV/A) provides the smallest current that the device is able to resolve.

**Linearity ( $E_{LIN}$ ).** The degree to which the voltage output from the sensor varies in direct proportion to the primary current through its full-scale amplitude. Nonlinearity in the output can be attributed to the saturation of the flux concentrator approaching the full-scale current. The following equation is used to derive the linearity:

$$100 \left\{ 1 - \left[ \frac{\Delta \text{ gain} \times \% \text{ sat} (V_{IOUT\_full\text{-}scale \text{ amperes}} - V_{IOUT(Q)})}{2 (V_{IOUT\_half\text{-}scale \text{ amperes}} - V_{IOUT(Q)})} \right] \right\}$$

where  $V_{IOUT\_full\text{-}scale \text{ amperes}}$  = the output voltage (V) when the sensed current approximates full-scale  $\pm I_P$ .

**Symmetry ( $E_{SYM}$ ).** The degree to which the absolute voltage output from the sensor varies in proportion to either a positive or negative full-scale primary current. The following formula is used to derive symmetry:

$$100 \left( \frac{V_{IOUT\_+ \text{ full-scale amperes}} - V_{IOUT(Q)}}{V_{IOUT(Q)} - V_{IOUT\_ - \text{ full-scale amperes}}} \right)$$

**Quiescent output voltage ( $V_{IOUT(Q)}$ ).** The output of the sensor when the primary current is zero. For a unipolar supply voltage, it nominally remains at  $V_{CC}/2$ . Thus,  $V_{CC} = 5$  V translates into  $V_{IOUT(Q)} = 2.5$  V. Variation in  $V_{IOUT(Q)}$  can be attributed to the resolution of the Allegro linear IC quiescent voltage trim and thermal drift.

**Electrical offset voltage ( $V_{OE}$ ).** The deviation of the device output from its ideal quiescent value of  $V_{CC}/2$  due to nonmagnetic causes. To convert this voltage to amperes, divide by the device sensitivity, Sens.

**Accuracy ( $E_{TOT}$ ).** The accuracy represents the maximum deviation of the actual output from its ideal value. This is also known as the total output error. The accuracy is illustrated graphically in the output voltage versus current chart at right.

Accuracy is divided into four areas:

- **0 A at 25°C.** Accuracy of sensing zero current flow at 25°C, without the effects of temperature.
- **0 A over  $\Delta$  temperature.** Accuracy of sensing zero current flow including temperature effects.
- **Full-scale current at 25°C.** Accuracy of sensing the full-scale current at 25°C, without the effects of temperature.
- **Full-scale current over  $\Delta$  temperature.** Accuracy of sensing full-scale current flow including temperature effects.

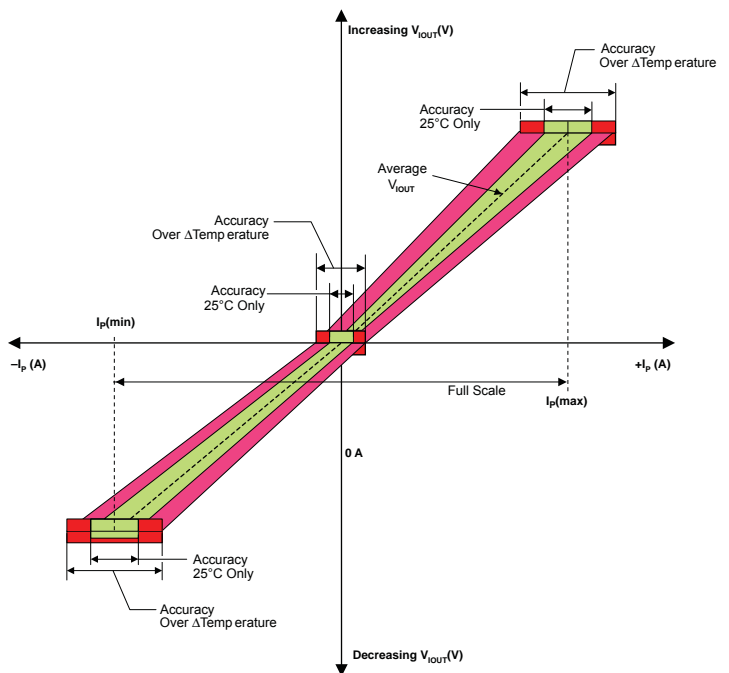
**Ratiometry.** The ratiometric feature means that its 0 A output,  $V_{IOUT(Q)}$ , (nominally equal to  $V_{CC}/2$ ) and sensitivity, Sens, are proportional to its supply voltage,  $V_{CC}$ . The following formula is used to derive the ratiometric change in 0 A output voltage,  $\Delta V_{IOUT(Q)RAT}$  (%).

$$100 \left( \frac{V_{IOUT(Q)VCC} / V_{IOUT(Q)5V}}{V_{CC} / 5V} \right)$$

The ratiometric change in sensitivity,  $\Delta \text{Sens}_{RAT}$  (%), is defined as:

$$100 \left( \frac{\text{Sens}_{VCC} / \text{Sens}_{5V}}{V_{CC} / 5V} \right)$$

**Output Voltage versus Sensed Current**  
Accuracy at 0 A and at Full-Scale Current



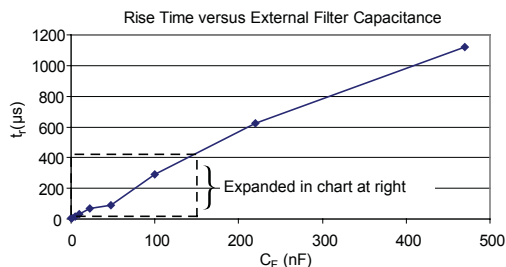
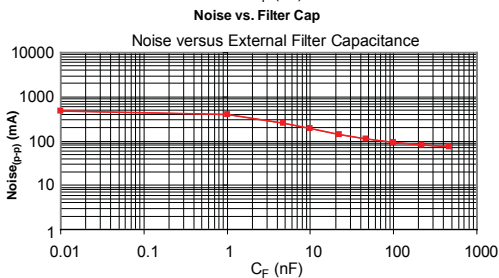
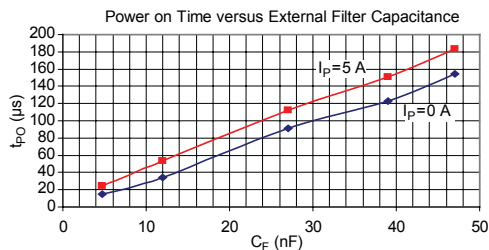
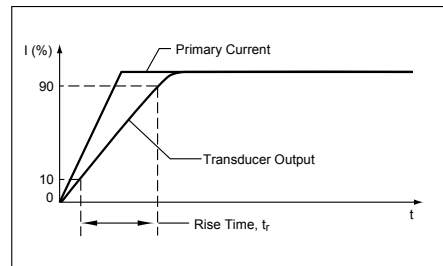
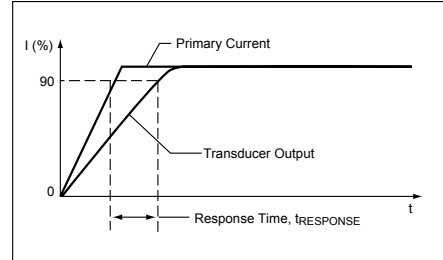
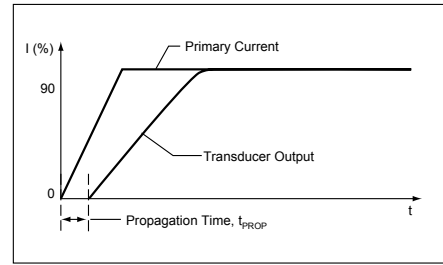


### Definitions of Dynamic Response Characteristics

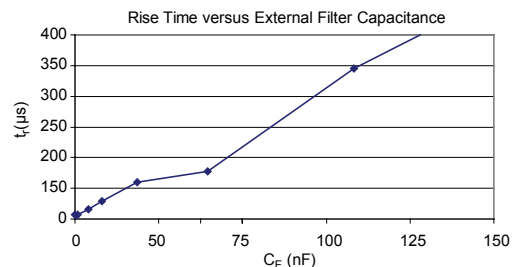
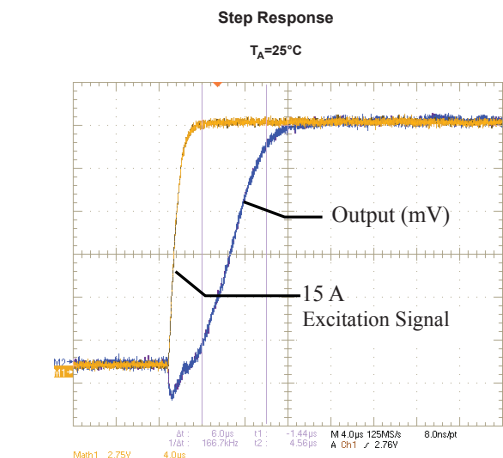
**Propagation delay ( $t_{PROP}$ ).** The time required for the sensor output to reflect a change in the primary current signal. Propagation delay is attributed to inductive loading within the linear IC package, as well as in the inductive loop formed by the primary conductor geometry. Propagation delay can be considered as a fixed time offset and may be compensated.

**Response time ( $t_{RESPONSE}$ ).** The time interval between a) when the primary current signal reaches 90% of its final value, and b) when the sensor reaches 90% of its output corresponding to the applied current.

**Rise time ( $t_r$ ).** The time interval between a) when the sensor reaches 10% of its full scale value, and b) when it reaches 90% of its full scale value. The rise time to a step response is used to derive the bandwidth of the current sensor, in which  $f(-3\text{ dB}) = 0.35/t_r$ . Both  $t_r$  and  $t_{RESPONSE}$  are detrimentally affected by eddy current losses observed in the conductive IC ground plane.



| $C_F$ (nF) | $t_r$ ( $\mu$ s) |
|------------|------------------|
| 0          | 6.6              |
| 1          | 7.7              |
| 4.7        | 17.4             |
| 10         | 32.1             |
| 22         | 68.2             |
| 47         | 88.2             |
| 100        | 291.3            |
| 220        | 623.0            |
| 470        | 1120.0           |



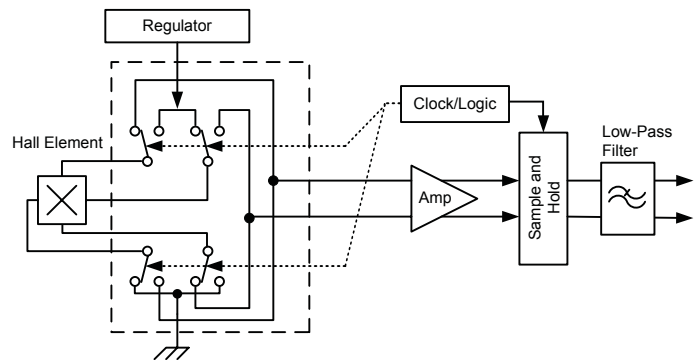
# ACS712

## Fully Integrated, Hall Effect-Based Linear Current Sensor with 2.1 kVRMS Voltage Isolation and a Low-Resistance Current Conductor

### Chopper Stabilization Technique

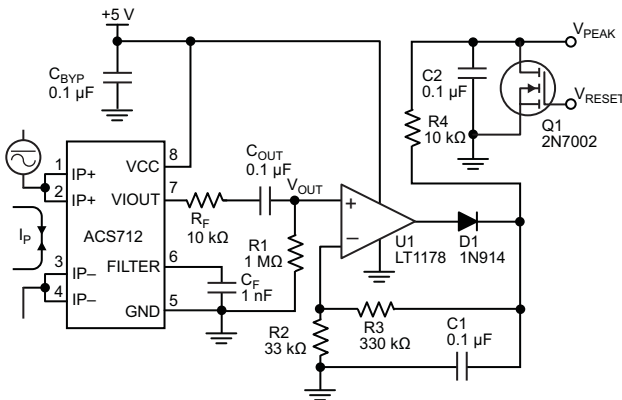
Chopper Stabilization is an innovative circuit technique that is used to minimize the offset voltage of a Hall element and an associated on-chip amplifier. Allegro patented a Chopper Stabilization technique that nearly eliminates Hall IC output drift induced by temperature or package stress effects. This offset reduction technique is based on a signal modulation-demodulation process. Modulation is used to separate the undesired dc offset signal from the magnetically induced signal in the frequency domain. Then, using a low-pass filter, the modulated dc offset is suppressed while the magnetically induced signal passes through the filter. As a result of this chopper stabilization approach, the output voltage from the Hall IC is desensitized to the effects of temperature and mechanical stress. This technique produces devices that have an extremely stable Electrical Offset Voltage, are immune to thermal stress, and have precise recoverability after temperature cycling.

This technique is made possible through the use of a BiCMOS process that allows the use of low-offset and low-noise amplifiers in combination with high-density logic integration and sample and hold circuits.

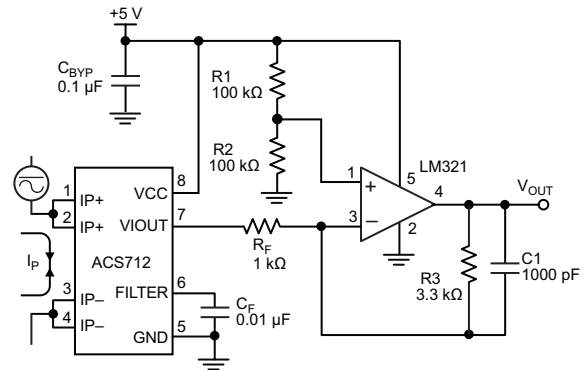


Concept of Chopper Stabilization Technique

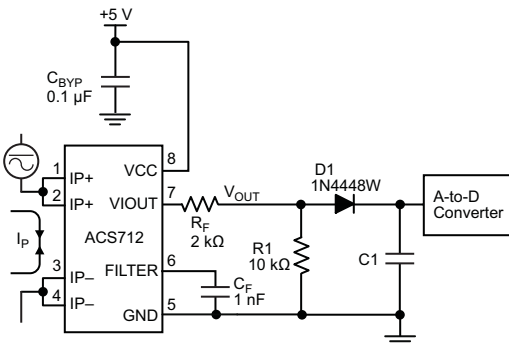
### Typical Applications



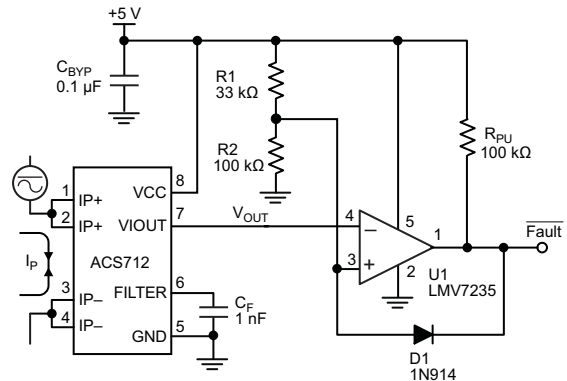
Application 2. Peak Detecting Circuit



Application 3. This configuration increases gain to 610 mV/A (tested using the ACS712ELC-05A).



Application 4. Rectified Output. 3.3 V scaling and rectification application for A-to-D converters. Replaces current transformer solutions with simpler ACS circuit. C1 is a function of the load resistance and filtering desired. R1 can be omitted if the full range is desired.



Application 5. 10 A Overcurrent Fault Latch. Fault threshold set by R1 and R2. This circuit latches an overcurrent fault and holds it until the 5 V rail is powered down.

### Improving Sensing System Accuracy Using the FILTER Pin

In low-frequency sensing applications, it is often advantageous to add a simple RC filter to the output of the sensor. Such a low-pass filter improves the signal-to-noise ratio, and therefore the resolution, of the sensor output signal. However, the addition of an RC filter to the output of a sensor IC can result in undesirable sensor output attenuation — even for dc signals.

Signal attenuation,  $\Delta V_{ATT}$ , is a result of the resistive divider effect between the resistance of the external filter,  $R_F$  (see Application 6), and the input impedance and resistance of the customer interface circuit,  $R_{INTFC}$ . The transfer function of this resistive divider is given by:

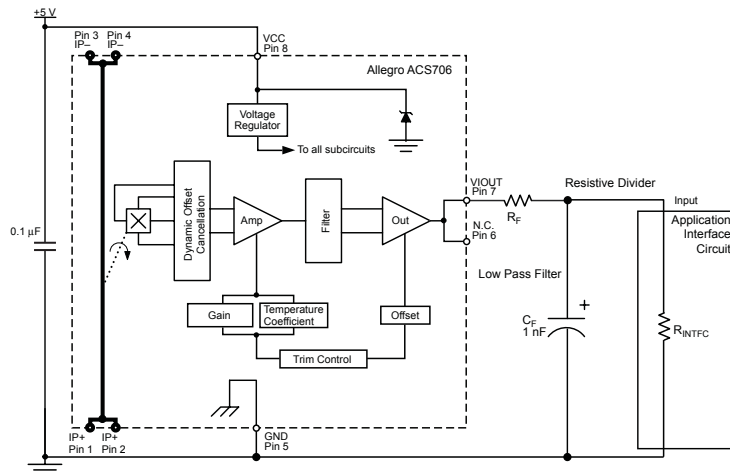
$$\Delta V_{ATT} = V_{IOUT} \left( \frac{R_{INTFC}}{R_F + R_{INTFC}} \right)$$

Even if  $R_F$  and  $R_{INTFC}$  are designed to match, the two individual resistance values will most likely drift by different amounts over

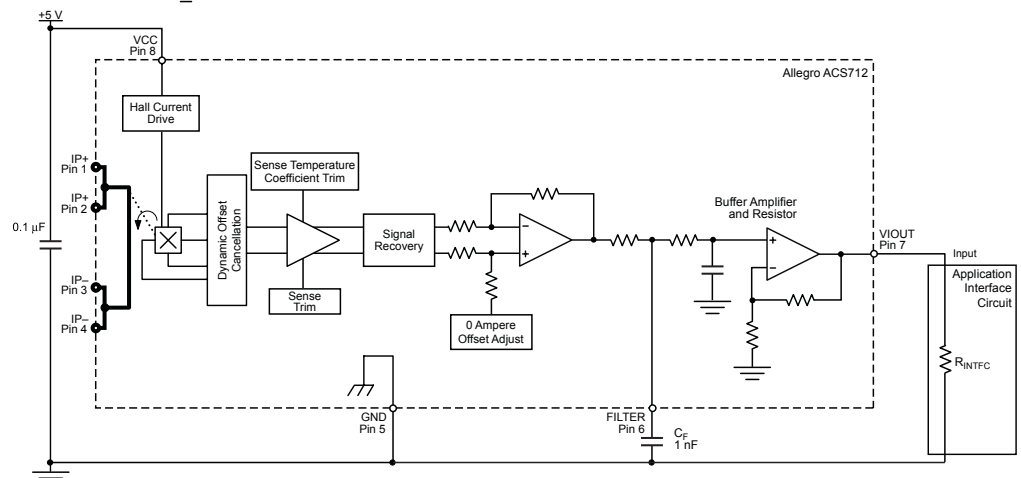
temperature. Therefore, signal attenuation will vary as a function of temperature. Note that, in many cases, the input impedance,  $R_{INTFC}$ , of a typical analog-to-digital converter (ADC) can be as low as 10 k $\Omega$ .

The ACS712 contains an internal resistor, a FILTER pin connection to the printed circuit board, and an internal buffer amplifier. With this circuit architecture, users can implement a simple RC filter via the addition of a capacitor,  $C_F$  (see Application 7) from the FILTER pin to ground. The buffer amplifier inside of the ACS712 (located after the internal resistor and FILTER pin connection) eliminates the attenuation caused by the resistive divider effect described in the equation for  $\Delta V_{ATT}$ . Therefore, the ACS712 device is ideal for use in high-accuracy applications that cannot afford the signal attenuation associated with the use of an external RC low-pass filter.

Application 6. When a low pass filter is constructed externally to a standard Hall effect device, a resistive divider may exist between the filter resistor,  $R_F$ , and the resistance of the customer interface circuit,  $R_{INTFC}$ . This resistive divider will cause excessive attenuation, as given by the transfer function for  $\Delta V_{ATT}$ .



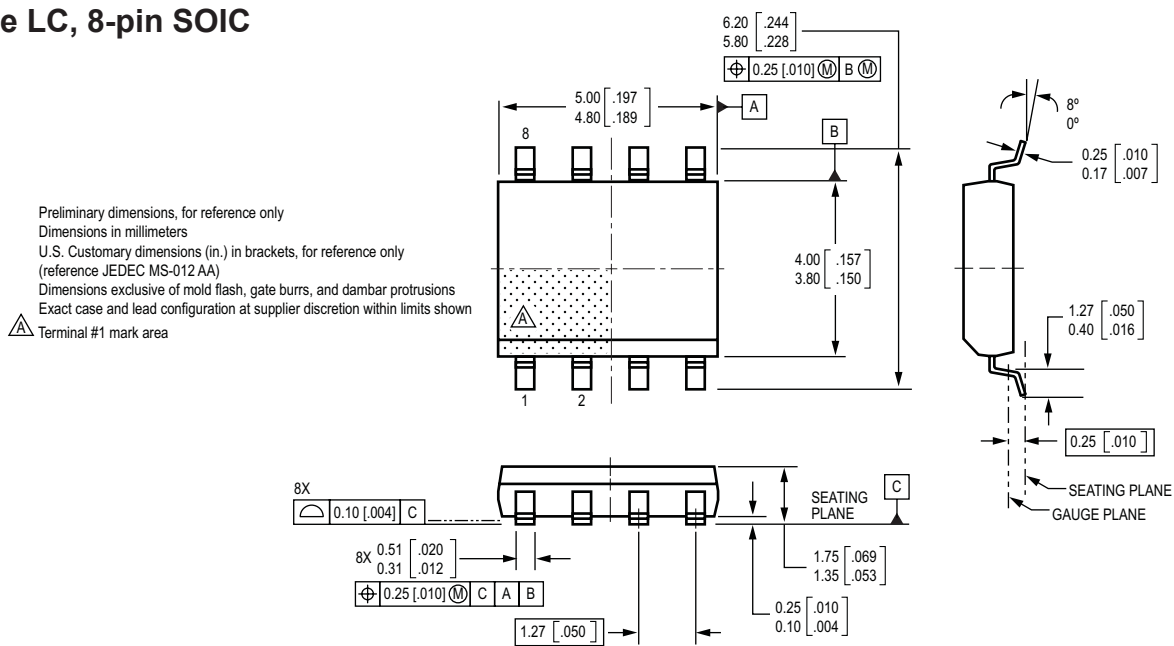
Application 7. Using the FILTER pin provided on the ACS712 eliminates the attenuation effects of the resistor divider between  $R_F$  and  $R_{INTFC}$ , shown in Application 6.



# ACS712

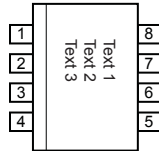
## Fully Integrated, Hall Effect-Based Linear Current Sensor with 2.1 kVRMS Voltage Isolation and a Low-Resistance Current Conductor

### Package LC, 8-pin SOIC



### Package Branding

Two alternative patterns are used



|                            |     |   |
|----------------------------|-----|---|
| ACS712T<br>RLCPPP<br>YYWWA | ACS | Allegro Current Sensor                        |
|                            | 712 | Device family number                          |
|                            | T   | Indicator of 100% matte tin leadframe plating |
|                            | R   | Operating ambient temperature range code      |
|                            | LC  | Package type designator                       |
|                            | PPP | Primary sensed current                        |
|                            | YY  | Date code: Calendar year (last two digits)    |
|                            | WW  | Date code: Calendar week                      |
|                            | A   | Date code: Shift code                         |

|                                    |       |   |
|------------------------------------|-------|---|
| ACS712T<br>RLCPPP<br>L...L<br>YYWW | ACS   | Allegro Current Sensor                        |
|                                    | 712   | Device family number                          |
|                                    | T     | Indicator of 100% matte tin leadframe plating |
|                                    | R     | Operating ambient temperature range code      |
|                                    | LC    | Package type designator                       |
|                                    | PPP   | Primary sensed current                        |
|                                    | L...L | Lot code                                      |
|                                    | YY    | Date code: Calendar year (last two digits)    |
|                                    | WW    | Date code: Calendar week                      |

The products described herein are manufactured under one or more of the following U.S. patents: 5,045,920; 5,264,783; 5,442,283; 5,389,889; 5,581,179; 5,517,112; 5,619,137; 5,621,319; 5,650,719; 5,686,894; 5,694,038; 5,729,130; 5,917,320; and other patents pending.

Allegro MicroSystems, Inc. reserves the right to make, from time to time, such departures from the detail specifications as may be required to permit improvements in the performance, reliability,

or manufacturability of its products. Before placing an order, the user is cautioned to verify that the information being relied upon is current. The information included herein is believed to be accurate and reliable. However, Allegro MicroSystems, Inc. assumes no responsibility for its use; nor for any infringement of patents or other rights of third parties which may result from its use.

Copyright ©2006, Allegro MicroSystems, Inc.

For the latest version of this document, go to our website at:

[www.allegromicro.com](http://www.allegromicro.com)



## X-ON Electronics

Largest Supplier of Electrical and Electronic Components

*Click to view similar products for [Industrial Current Sensors](#) category:*

*Click to view products by [Allegro](#) manufacturer:*

Other Similar products are found below :

[CSNS181](#) [S28S500D24ZM](#) [CSNS300M-001](#) [L05Z800S15](#) [5SHT-151-E](#) [5SHT-500-E](#) [T60404-B4658-X030](#) [T60404-B4658-X029](#) [SAO-Q1N](#) [SAO-Q2N](#) [CSNS300F-002](#) [CSCA0075A000U12J01](#) [SAO-S1N](#) [L34S1T5D15T](#) [L34S500D15T](#) [L34S1T0D15T](#) [CSNS300M-500](#) [LA200-P](#) [ACS724LLCTR-10AB-T](#) [ACS711KEXLT-15AB-T](#) [20310200202](#) [LCS10T12](#) [20320500101](#) [20310508201](#) [CCT354571-300-24-00](#) [LCSC10T12](#) [20320300101](#) [S29S1T0D24Z](#) [CCT272440-80-10-02](#) [DCSA20](#) [S21S180D15JN](#) [L31S300S05FS](#) [T60404-N4644-X021](#) [ECSL61AH](#) [ISB-300-A-802](#) [ISB-300-A-604](#) [ISB-175-A-802](#) [ISB-175-A-800](#) [ISB-175-A-604](#) [ISB-100-A-802](#) [LPMG12](#) [ECS41BC](#) [ECS41BD](#) [SAO-S5N](#) [DCSA50](#) [ECS21BC](#) [ACS726LLFTR-20B-T](#) [A-CS010B](#) [A-CS050B](#) [A-CS100B](#)