

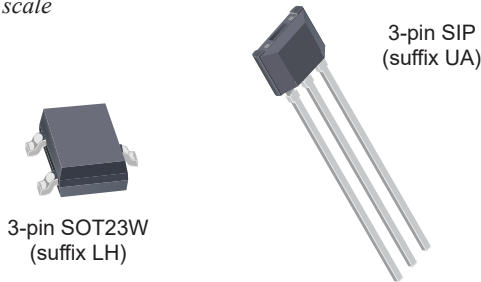
# High-Temperature Precision Hall-Effect Switch

## FEATURES AND BENEFITS

- Unipolar switchpoints
- ASIL A functional safety compliance
- Automotive-grade ruggedness and fault tolerance
  - Extended AEC-Q100 qualification
  - Reverse-battery and 40 V load dump protection
  - Operation from  $-40^{\circ}\text{C}$  to  $175^{\circ}\text{C}$  junction temperature
  - High EMC immunity,  $\pm 12$  kV HBM ESD
  - Output short-circuit and overvoltage protection
  - Superior temperature stability
  - Resistant to physical stress
- Operation from unregulated supplies, 2.8 to 24 V
- Chopper stabilization
- Solid-state reliability
- Industry-standard packages and pinouts

## PACKAGES:

*Not to scale*



## DESCRIPTION

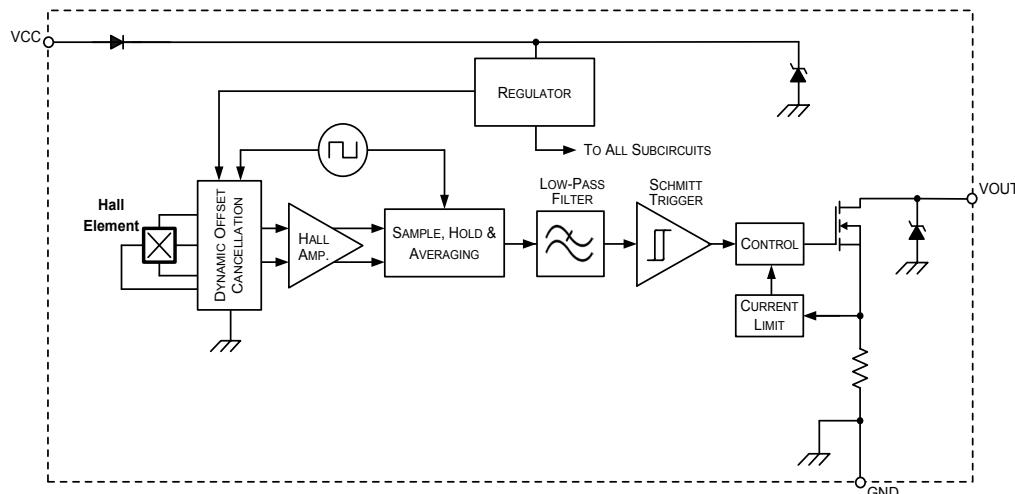
The APS11200 is a three-wire, planar Hall-effect sensor integrated circuit (IC). This device was developed in accordance with ISO 26262 and supports a functional safety level of ASIL A.

This Hall-effect switch IC features extended AEC-Q100 qualification and is ideal for high-temperature operation up to  $175^{\circ}\text{C}$  junction temperatures. In addition, the APS11200 includes a number of features designed specifically to maximize system robustness such as reverse-battery protection, output current limiter, overvoltage, and EMC protection.

The single silicon chip includes: a voltage regulator, a Hall plate, small signal amplifier, chopper stabilization, Schmitt trigger, and a short-circuit-protected open-drain output. A south pole of sufficient strength turns the output on. Removal of the magnetic field—or a north pole—turns the output off. The devices include on-board transient protection for all pins, permitting operation directly from a vehicle battery or regulator with supply voltages from 2.8 to 24 V.

Two package styles provide a choice of through-hole or surface mounting. Package type LH is a modified SOT23W, surface-mount package, while UA is a three-lead ultra-mini SIP for through-hole mounting. Both packages are lead (Pb) free and RoHs compliant with 100% matte-tin leadframe plating.

## Functional Block Diagram



# APS11200

# High-Temperature Precision Hall-Effect Switch

## SELECTION GUIDE

Part Number	Packing <sup>[1]</sup>	Mounting	Branding	Ambient, T <sub>A</sub>	Switchpoints (Typ.)	
					B <sub>OP</sub>	B <sub>RP</sub>
APS11200LLHALX	13-in. reel, 10000 pieces/reel	3-pin SOT23W surface mount	A21	-40°C to 150°C	35 G	25 G
APS11200LLHALT <sup>[2]</sup>	7-in. reel, 3000 pieces/reel	3-pin SOT23W surface mount	A21			
APS11200LUAA	Bulk, 500 pieces/bag	3-pin SIP through hole	A22			

<sup>[1]</sup> Contact Allegro for additional packing options.

<sup>[2]</sup> Available through authorized Allegro distributors only.



## ABSOLUTE MAXIMUM RATINGS

Characteristic	Symbol	Notes	Rating	Units
Forward Supply Voltage <sup>[1]</sup>	V <sub>CC</sub>		30	V
Reverse Supply Voltage <sup>[1]</sup>	V <sub>RCC</sub>		-18	V
Output Off Voltage <sup>[1]</sup>	V <sub>OUT</sub>		30	V
Output Current <sup>[2]</sup>	I <sub>OUT</sub>		60	mA
Reverse Output Current	I <sub>ROUT</sub>		-50	mA
Magnetic Flux Density <sup>[3]</sup>	B		Unlimited	-
Maximum Junction Temperature	T <sub>J(max)</sub>		165	°C
		For 500 hours	175	°C
Storage Temperature	T <sub>stg</sub>		-65 to 170	°C
ESD Voltage <sup>[4]</sup>	V <sub>ESD(HBM)</sub>	AEC-Q100, Human Body Model	±12	kV
	V <sub>ESD(CDM)</sub>	AEC-Q100, Charged Device Model	±1	kV
	V <sub>ESD(SYS)</sub>	ISO 10605, System Level	±15	kV

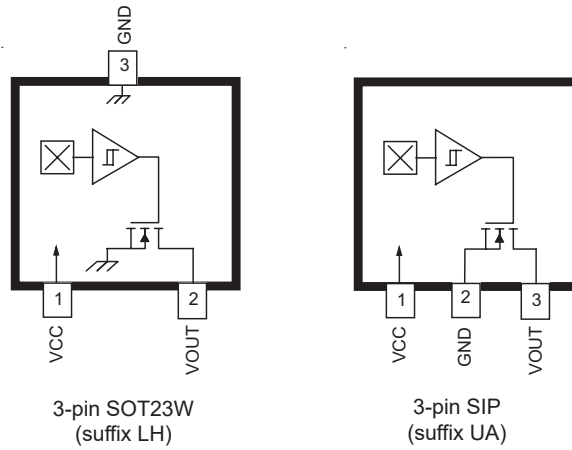
<sup>[1]</sup> This rating does not apply to extremely short voltage transients such as load dump and/or ESD. Those events have individual ratings, specific to the respective transient voltage event.

<sup>[2]</sup> Through short-circuit current limiting device.

<sup>[3]</sup> Guaranteed by design.

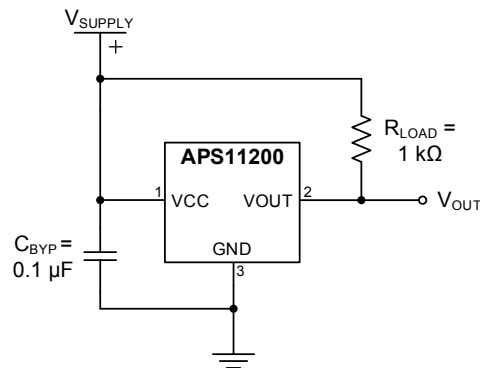
<sup>[4]</sup> System level ESD performance based on use with the application circuit shown in Figure 4 and the 2 kΩ/330 pF ESD discharge network.

## PINOUT DIAGRAMS AND TERMINAL LIST



### Terminal List

Name	Description	Number	
		LH	UA
VCC	Connects power supply to chip	1	1
VOUT	Output from circuit	2	3
GND	Ground	3	2



**Figure 1: Typical Application Circuit**

**ELECTRICAL CHARACTERISTICS:** Valid over full operating voltage, ambient temperature range  $T_A = -40^\circ\text{C}$  to  $150^\circ\text{C}$ , and with  $C_{BYP} = 0.1 \mu\text{F}$ , unless otherwise specified

Characteristics	Symbol	Test Conditions	Min.	Typ. <sup>[1]</sup>	Max.	Unit <sup>[2]</sup>
<b>ELECTRICAL CHARACTERISTICS</b>						
Forward Supply Voltage	$V_{CC}$	Operating, $T_J < 175^\circ\text{C}$	2.8	–	24	V
Supply Current	$I_{CC}$		1	2	3	mA
Output Leakage Current	$I_{OUTOFF}$	$V_{OUTOFF} = 24 \text{ V}$ , $B < B_{RP}$	–	–	10	$\mu\text{A}$
Output Saturation Voltage	$V_{OUT(SAT)}$	$I_{OUT} = 20 \text{ mA}$ , $B > B_{OP}$	–	200	500	mV
Output Off Voltage	$V_{OUTOFF}$	$B < B_{RP}$	–	–	24	V
Power-On Time	$t_{ON}$	$V_{CC} \geq V_{CC(\text{min})}$ , $B < B_{RP(\text{min})} - 10 \text{ G}$ , $B > B_{OP(\text{max})} + 10 \text{ G}$	–	–	25	$\mu\text{s}$
Power-On State, Output <sup>[3]</sup>	POS	$V_{CC} \geq V_{CC(\text{min})}$ , $t < t_{ON}$	Low			–
Chopping Frequency	$f_C$		–	800	–	kHz
Output Rise Time <sup>[4]</sup>	$t_r$	$R_{LOAD} = 1 \text{ k}\Omega$ , $C_L = 20 \text{ pF}$	–	0.2	2	$\mu\text{s}$
Output Fall Time <sup>[4]</sup>	$t_f$	$R_{LOAD} = 1 \text{ k}\Omega$ , $C_L = 20 \text{ pF}$	–	0.1	2	$\mu\text{s}$
<b>TRANSIENT PROTECTION CHARACTERISTICS</b>						
Output Short-Circuit Current Limit	$I_{OM}$		30	–	60	mA
Output Zener Clamp Voltage	$V_{Z\text{output}}$	$I_{OUTOFF} = 3 \text{ mA}$ ; $T_A = 25^\circ\text{C}$ , Output Off	30	–	–	V
Reverse Battery Current	$I_{RCC}$	$V_{RCC} = -18 \text{ V}$ , $T_A = 25^\circ\text{C}$	–	–	–5	mA
Supply Zener Clamp Voltage	$V_Z$	$I_{CC} = I_{CC(\text{max})} + 3 \text{ mA}$ , $T_A = 25^\circ\text{C}$	30	–	–	V
<b>MAGNETIC CHARACTERISTICS</b>						
Operate Point	$B_{OP}$		–	35	50	G
Release Point	$B_{RP}$		5	25	–	G
Hysteresis	$B_{HYS}$	$(B_{OP} - B_{RP})$	7	10	20	G

[1] Typical data are at  $T_A = 25^\circ\text{C}$  and  $V_{CC} = 12 \text{ V}$ .

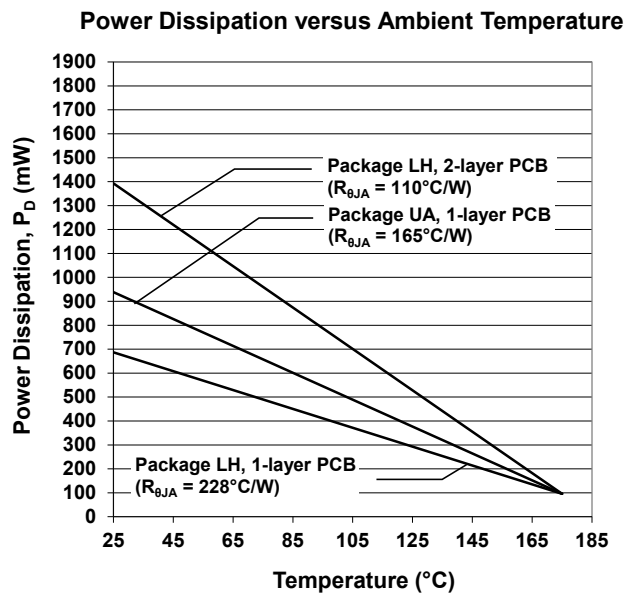
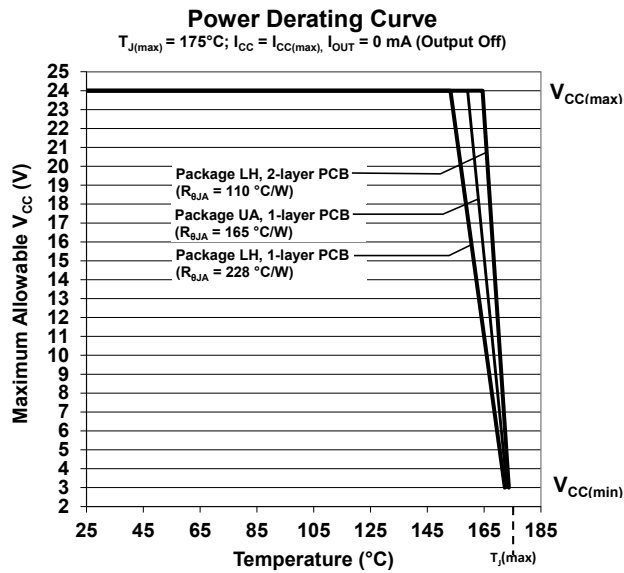
[2] 1 G (gauss) = 0.1 mT (millitesla).

[3] Guaranteed by device design and characterization.

[4]  $C_L$  = oscilloscope probe capacitance.

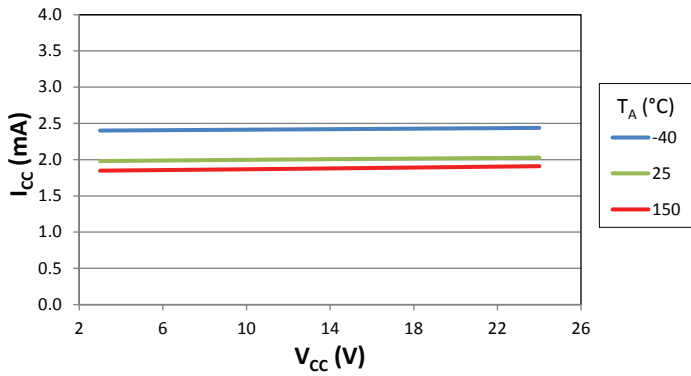
**THERMAL CHARACTERISTICS:** May require derating at maximum conditions; see application information

Characteristic	Symbol	Test Conditions	Value	Units
Package Thermal Resistance	$R_{\theta JA}$	Package LH, 1-layer PCB with copper limited to solder pads	228	$^{\circ}\text{C}/\text{W}$
		Package LH, 2-layer PCB with 0.463 in <sup>2</sup> of copper area each side connected by thermal vias	110	$^{\circ}\text{C}/\text{W}$
		Package UA, 1-layer PCB with copper limited to solder pads	165	$^{\circ}\text{C}/\text{W}$

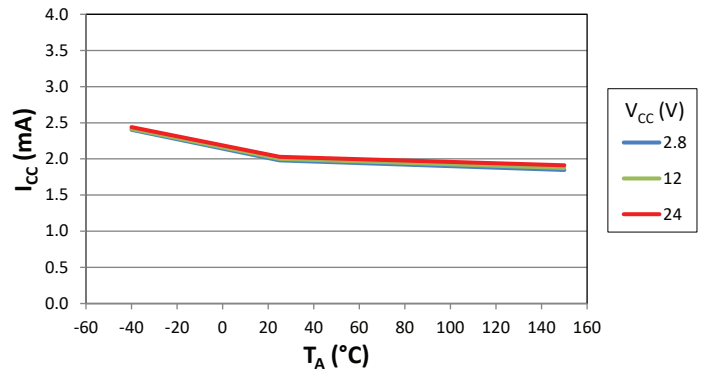


## CHARACTERISTIC PERFORMANCE DATA

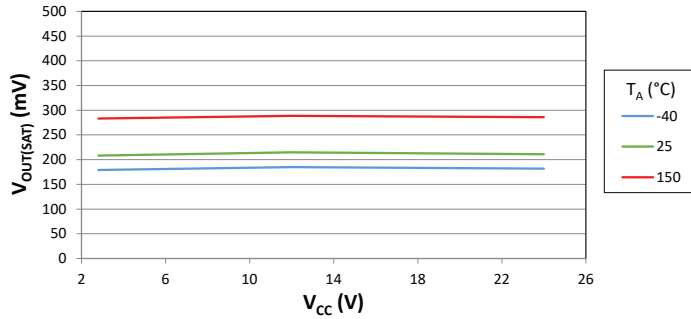
Average Supply Current versus Supply Voltage



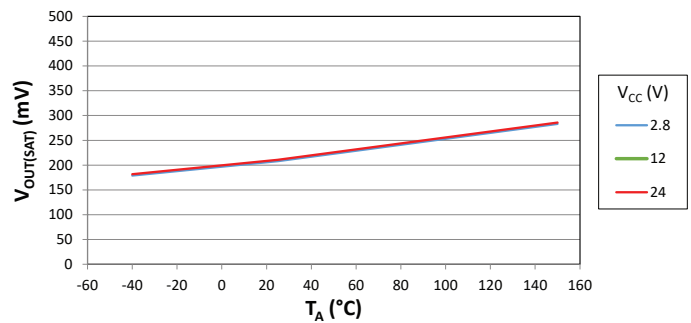
Average Supply Current versus Ambient Temperature



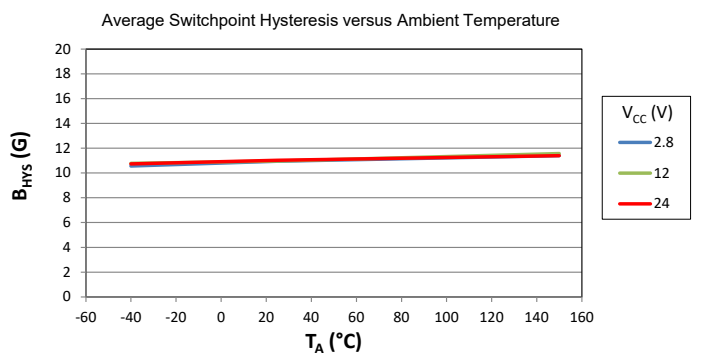
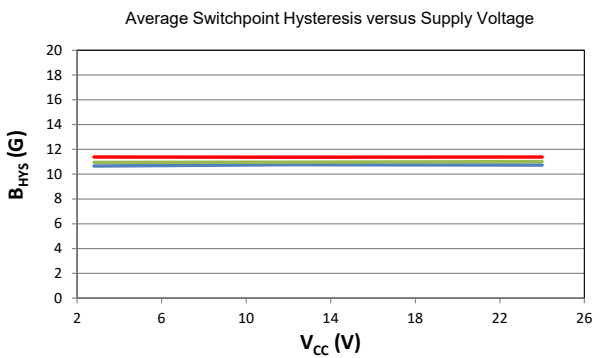
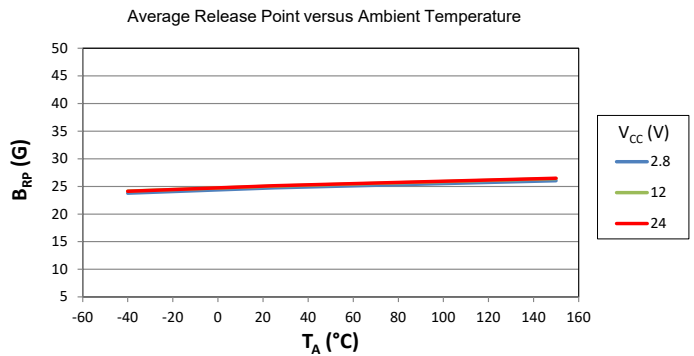
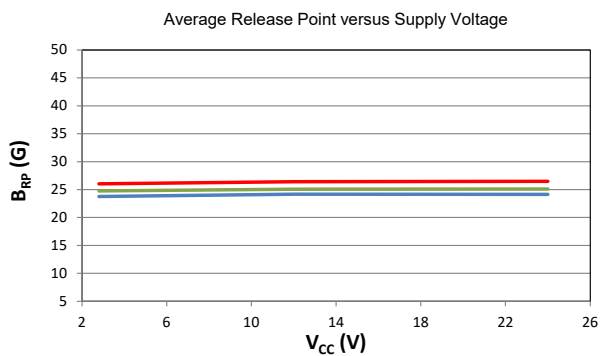
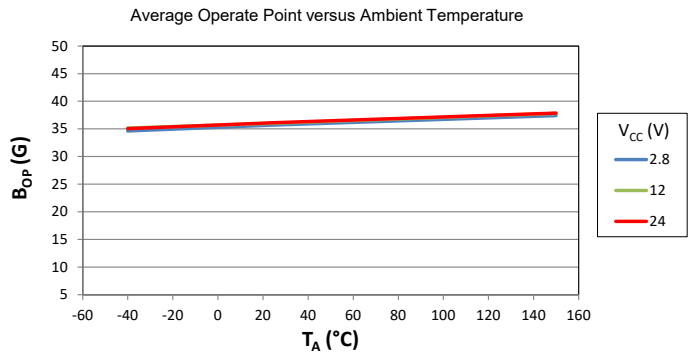
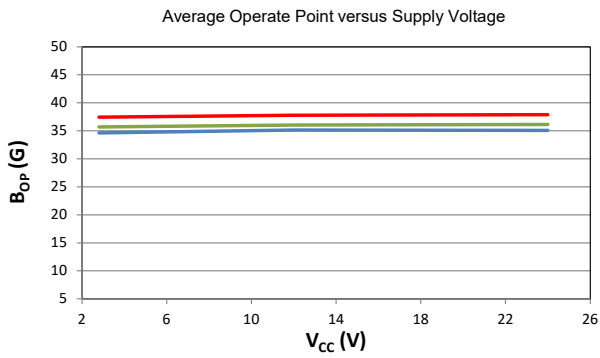
Average Low Output Voltage versus Supply Voltage for I<sub>OUT</sub> = 20 mA



Average Low Output Voltage versus Ambient Temperature for I<sub>OUT</sub> = 20 mA



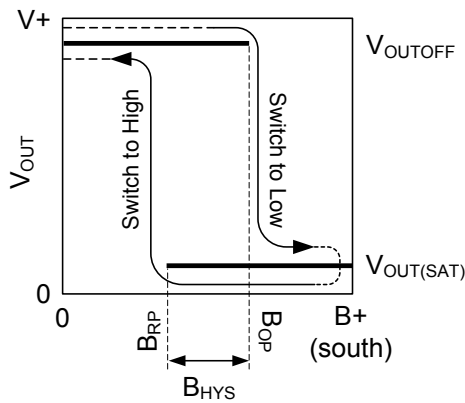
## CHARACTERISTIC PERFORMANCE DATA (continued)



## FUNCTIONAL DESCRIPTION

### OPERATION

The output of the APS11200 switches low (turns on) when a south-polarity magnetic field perpendicular to the Hall element exceeds the operate point threshold,  $B_{OP}$  (see Figure 2). After turn-on, the output voltage is  $V_{OUT(SAT)}$ . The output transistor is capable of continuously sinking up to 30 mA. When the magnetic field is reduced below the release point,  $B_{RP}$ , the device output goes high (turns off) to  $V_{OUT(OFF)}$ .



**Figure 2: Device Switching Behavior**

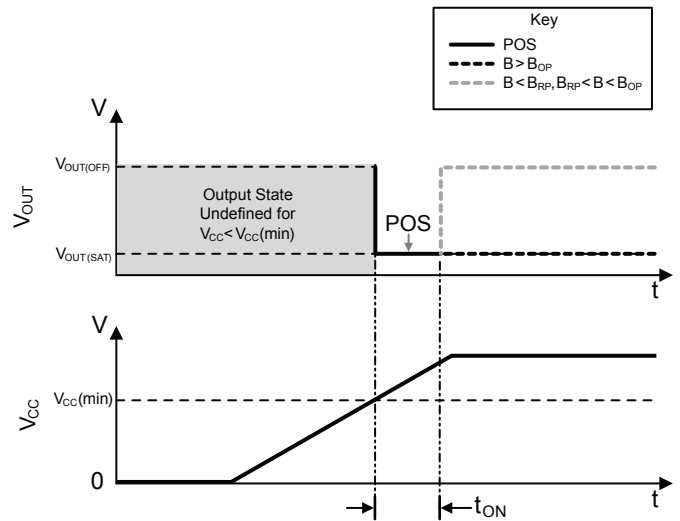
On the horizontal axis, the B+ direction indicates increasing south polarity magnetic field strength.

The difference in the magnetic operate and release points is the hysteresis,  $B_{HYS}$ , of the device. This built-in hysteresis allows clean switching of the output even in the presence of external mechanical vibration and electrical noise.

### POWER-ON BEHAVIOR

Device power-on occurs once  $t_{ON}$  has elapsed. During the time prior to  $t_{ON}$ , and after  $V_{CC} \geq V_{CC(min)}$ , the output state is  $V_{OUT(SAT)}$ . After  $t_{ON}$  has elapsed, the output will correspond with the applied magnetic field for  $B > B_{OP}$  or  $B < B_{RP}$ . See Figure 3 for an example.

Powering-on the device in the hysteresis range (less than  $B_{OP}$  and higher than  $B_{RP}$ ) will give an output state of  $V_{OUT(OFF)}$ . The correct state is attained after the first excursion beyond  $B_{OP}$  or  $B_{RP}$ .



**Figure 3: Power-On Sequence and Timing**



## Functional Safety

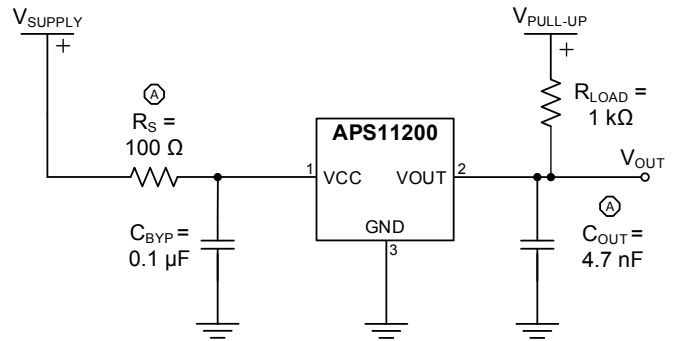
The APS11200 was designed in accordance with the international standard for automotive functional safety, ISO 26262. This product achieves an ASIL (Automotive Safety Integrity Level) rating of ASIL A according to the standard. The APS11200 is classified as a SEooC (Safety Element out of Context) and can be easily integrated into safety-critical systems requiring higher ASIL ratings that incorporate external diagnostics or use measures such as redundancy. Safety documentation will be provided to support and guide the integration process. For further information, contact your local Allegro field applications engineer or sales representative.



## Applications

It is strongly recommended that an external bypass capacitor be connected (in close proximity to the Hall element) between the supply and ground of the device to guarantee correct performance under harsh environmental conditions and to reduce noise from internal circuitry. As is shown in Figure 1: Typical Application Circuit, a 0.1  $\mu\text{F}$  capacitor is required. In applications where maximum robustness is required, such as in an automobile, additional measures may be taken. In Figure 4: Enhanced Protection Circuit, a resistor in series with the VCC pin and a capacitor on the VOUT pin enhance the EMC immunity of the device. It is up to the user to fully qualify the Allegro sensor IC in their end system to ensure they achieve their system requirements.

These devices are sensitive in the direction perpendicular to the branded package face, and may be configured to sense magnetic



Ⓐ  $R_S$  and  $C_{OUT}$  are recommended for maximum robustness in an automotive environment.

**Figure 4: Enhanced Protection Circuit**

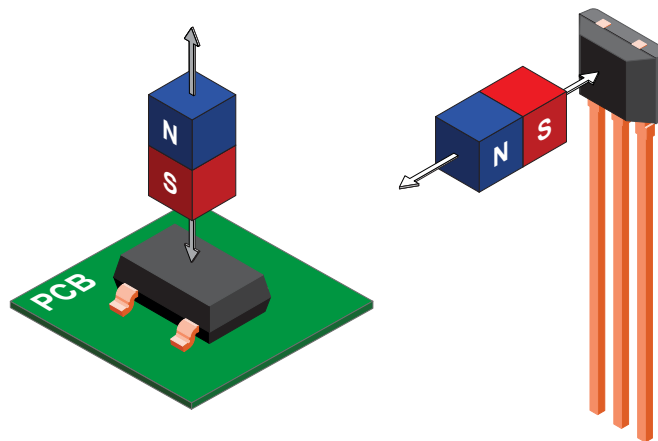
fields in a variety of orientations, such as the ones shown in Figure 5.

Extensive applications information for Hall-effect devices is available in:

- *Hall-Effect IC Applications Guide, AN27701,*
- *Hall-Effect Devices: Guidelines for Designing Subassemblies Using Hall-Effect Devices AN27703.1*
- *Soldering Methods for Allegro's Products – SMD and Through-Hole, AN26009*

All are provided on the Allegro website:

[www.allegromicro.com](http://www.allegromicro.com)



**Figure 5: Sensing Configurations**

CHOPPER STABILIZATION

A limiting factor for switchpoint accuracy when using Hall-effect technology is the small-signal voltage developed across the Hall plate. This voltage is proportionally small relative to the offset that can be produced at the output of the Hall sensor. This makes it difficult to process the signal and maintain an accurate, reliable output over the specified temperature and voltage range. Chopper stabilization is a proven approach used to minimize Hall offset.

The Allegro technique, dynamic quadrature offset cancellation, removes key sources of the output drift induced by temperature and package stress. This offset reduction technique is based on a signal modulation-demodulation process. Figure 6: Model of Chopper Stabilization Circuit (Dynamic Offset Cancellation) illustrates how it is implemented.

The undesired offset signal is separated from the magnetically induced signal in the frequency domain through modulation. The subsequent demodulation acts as a modulation process for

the offset causing the magnetically induced signal to recover its original spectrum at baseband while the DC offset becomes a high-frequency signal. Then, using a low-pass filter, the signal passes while the modulated DC offset is suppressed. Allegro’s innovative chopper stabilization technique uses a high-frequency clock. The high-frequency operation allows a greater sampling rate that produces higher accuracy, reduced jitter, and faster signal processing. Additionally, filtering is more effective and results in a lower noise analog signal at the sensor output. Devices such as the APS11200 that use this approach have an extremely stable quiescent Hall output voltage, are immune to thermal stress, and have precise recoverability after temperature cycling. This technique is made possible through the use of a BiCMOS process which allows the use of low-offset and low-noise amplifiers in combination with high-density logic and sample-and-hold circuits.

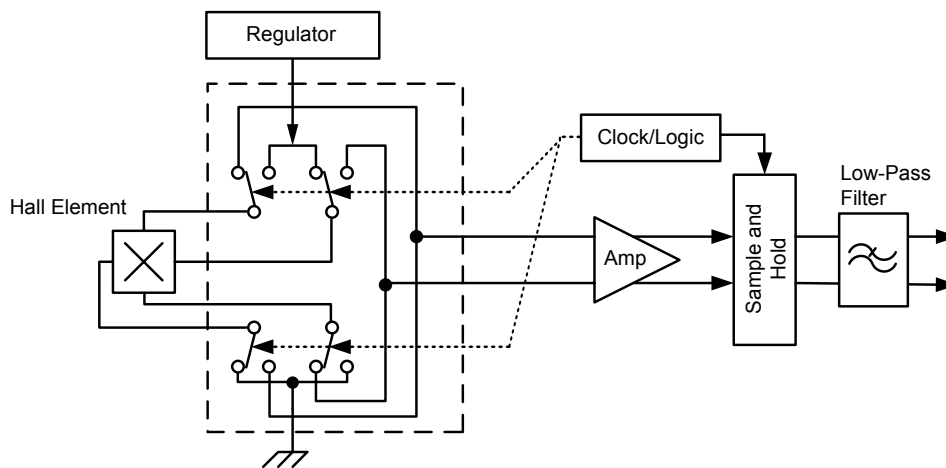


Figure 6: Model of Chopper Stabilization Circuit (Dynamic Offset Cancellation)

## POWER DERATING

The device must be operated below the maximum junction temperature of the device,  $T_J(\text{max})$ . Under certain combinations of peak conditions, reliable operation may require derating supplied power or improving the heat dissipation properties of the application. This section presents a procedure for correlating factors affecting operating  $T_J$ . (Thermal data is also available on the Allegro MicroSystems website.)

The Package Thermal Resistance,  $R_{\theta JA}$ , is a figure of merit summarizing the ability of the application and the device to dissipate heat from the junction (die), through all paths to the ambient air. Its primary component is the Effective Thermal Conductivity,  $K$ , of the printed circuit board, including adjacent devices and traces. Radiation from the die through the device case,  $R_{\theta JC}$ , is relatively small component of  $R_{\theta JA}$ . Ambient air temperature,  $T_A$ , and air motion are significant external factors, damped by overmolding.

The resulting power dissipation capability directly reflects upon the ability of the device to withstand extreme operating conditions. The junction temperature mission profile specified in the Absolute Maximum Ratings table designates a total operating life capability based on qualification for the most extreme conditions, where  $T_J$  may reach  $175^\circ\text{C}$ .

The silicon IC is heated internally when current is flowing into the VCC terminal. When the output is on, current sinking into the VOUT terminal generates additional heat. This may increase the junction temperature,  $T_J$ , above the surrounding ambient temperature. The APS11200 is permitted to operate up to  $T_J = 175^\circ\text{C}$ . As mentioned above, an operating device will increase  $T_J$  according to equations 1, 2, and 3 below. This allows an estimation of the maximum ambient operating temperature.

$$P_D = V_{IN} \times I_{IN}$$

$$\Delta T = P_D \times R_{\theta JA}$$

$$T_J = T_A + \Delta T$$

(1)

(2)

(3)

For example, given common conditions such as:  $T_A = 25^\circ\text{C}$ ,  $V_{CC} = 12\text{ V}$ ,  $I_{CC} = 2\text{ mA}$ ,  $V_{OUT} = 185\text{ mV}$ ,  $I_{OUT} = 20\text{ mA}$  (output on), and  $R_{\theta JA} = 165^\circ\text{C/W}$ , then:

$$P_D = (V_{CC} \times I_{CC}) + (V_{OUT} \times I_{OUT}) = \\ (12\text{ V} \times 2\text{ mA}) + (185\text{ mV} \times 20\text{ mA}) = \\ 24\text{ mW} + 3.7\text{ mW} = 27.7\text{ mW}$$

$$\Delta T = P_D \times R_{\theta JA} = 27.7\text{ mW} \times 165^\circ\text{C/W} = 4.6^\circ\text{C}$$

$$T_J = T_A + \Delta T = 25^\circ\text{C} + 4.6^\circ\text{C} = 29.6^\circ\text{C}$$

A worst-case estimate,  $P_D(\text{max})$ , represents the maximum allowable power level ( $V_{CC}(\text{max})$ ,  $I_{CC}(\text{max})$ ), without exceeding  $T_J(\text{max})$ , at a selected  $R_{\theta JA}$ .

For example, given the conditions  $R_{\theta JA} = 228^\circ\text{C/W}$ ,  $T_J(\text{max}) = 175^\circ\text{C}$ ,  $V_{CC}(\text{max}) = 24\text{ V}$ ,  $I_{CC}(\text{max}) = 4\text{ mA}$ ,  $V_{OUT} = 500\text{ mV}$ , and  $I_{OUT} = 25\text{ mA}$  (output on), the maximum allowable operating ambient temperature can be determined.

The power dissipation required for the output is shown below:

$$P_D(V_{OUT}) = V_{OUT} \times I_{OUT} = 500\text{ mV} \times 25\text{ mA} = 12.5\text{ mW}$$

The power dissipation required for the IC supply is shown below:

$$P_D(V_{CC}) = V_{CC} \times I_{CC} = 24\text{ V} \times 4\text{ mA} = 96\text{ mW}$$

Next, by inverting using equation 2:

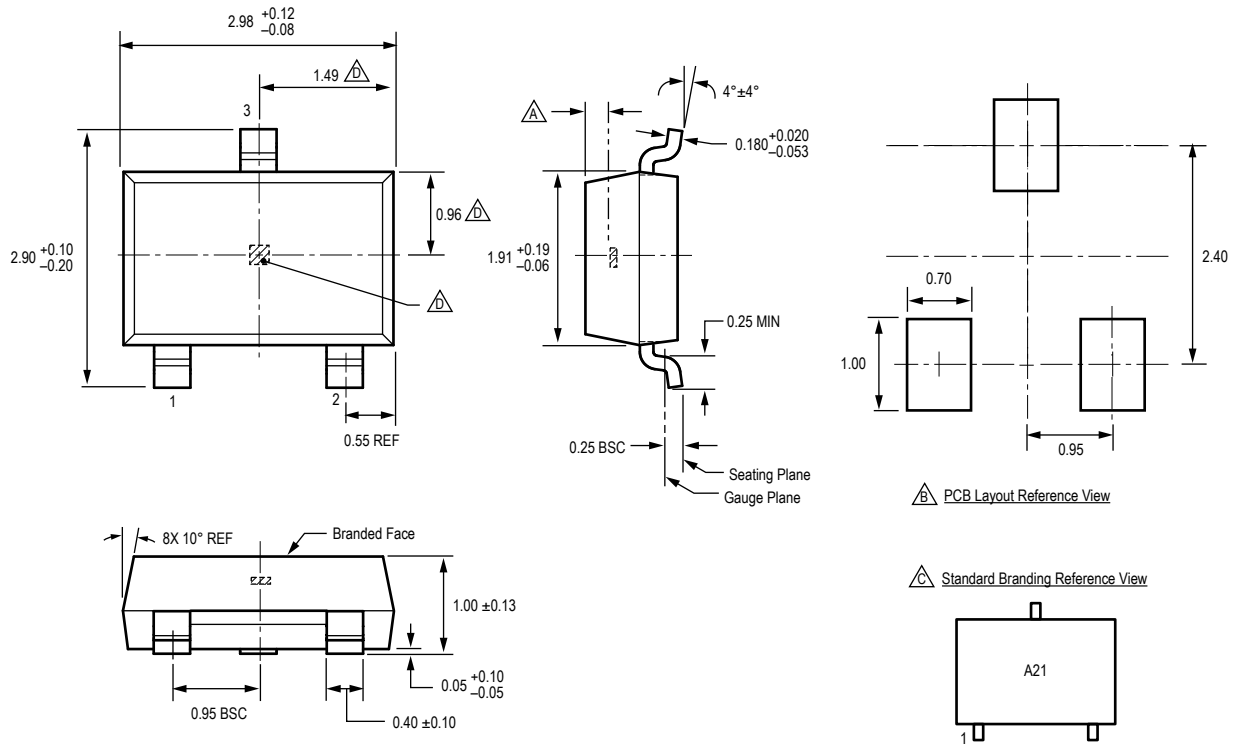
$$\Delta T = P_D \times R_{\theta JA} = [P_D(V_{OUT}) + P_D(V_{CC})] \times 228^\circ\text{C/W} = \\ (12.5\text{ mW} + 96\text{ mW}) \times 228^\circ\text{C/W} = \\ 108.5\text{ mW} \times 228^\circ\text{C/W} = 24.7^\circ\text{C}$$

Finally, by inverting equation 3 with respect to voltage:

$$T_A(\text{est}) = T_J(\text{max}) - \Delta T = 175^\circ\text{C} - 24.7^\circ\text{C} = 150.3^\circ\text{C}$$

In the above case, there is sufficient power dissipation capability to operate up to  $T_A(\text{est})$ . The example indicates that  $T_A(\text{max})$  can be as high as  $150.3^\circ\text{C}$  without exceeding  $T_J(\text{max})$ . However, the  $T_A(\text{max})$  rating of the device is  $150^\circ\text{C}$ ; the APS11200 performance is not guaranteed above  $T_A = 150^\circ\text{C}$ .

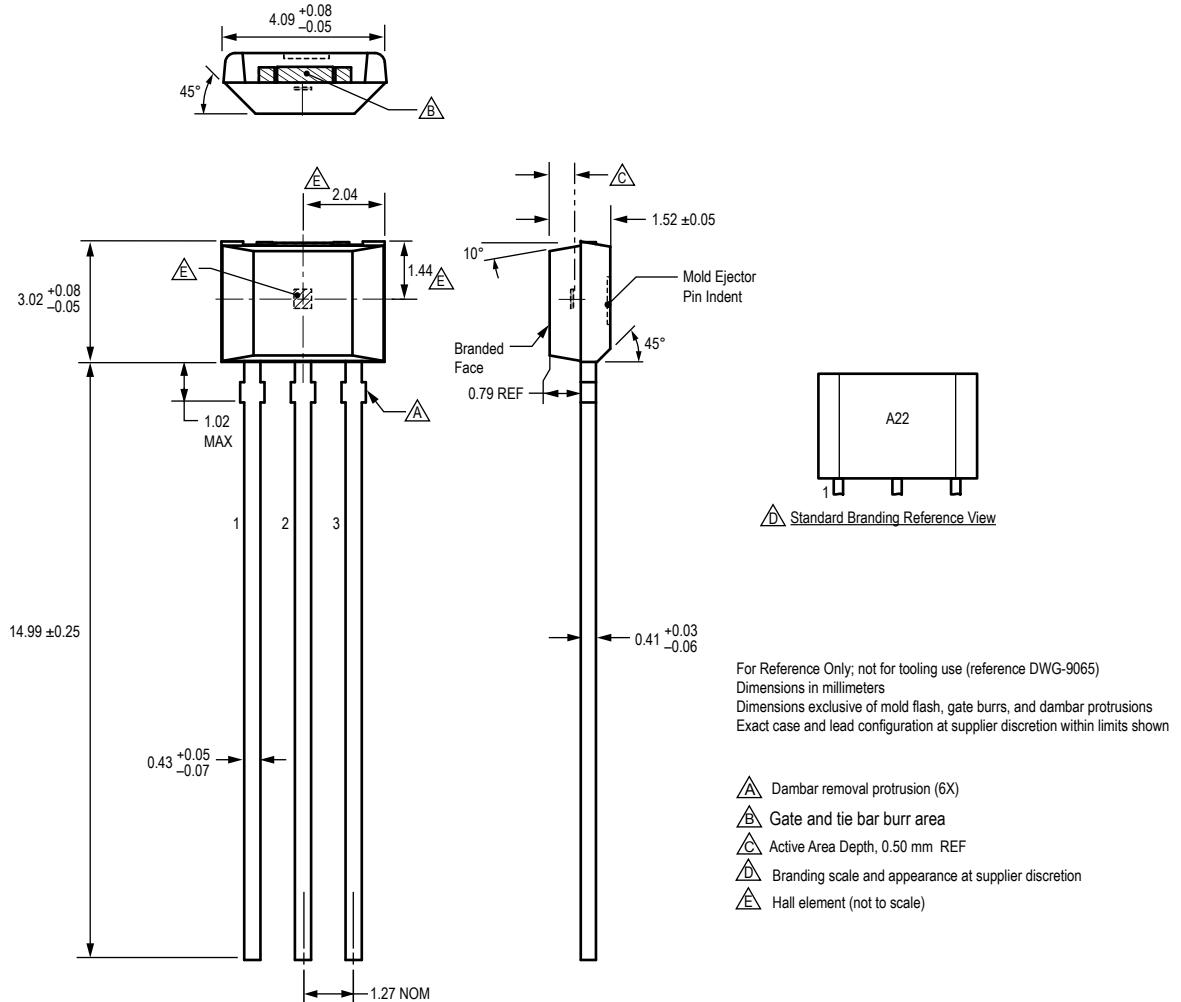
## Package LH, 3-Pin (SOT-23W)



For Reference Only; not for tooling use (reference dwg. 802840)  
 Dimensions in millimeters  
 Dimensions exclusive of mold flash, gate burrs, and dambar protrusions  
 Exact case and lead configuration at supplier discretion within limits shown

- $\triangle A$  Active Area Depth, 0.28 mm REF
- $\triangle B$  Reference land pattern layout  
 All pads a minimum of 0.20 mm from all adjacent pads; adjust as necessary to meet application process requirements and PCB layout tolerances
- $\triangle C$  Branding scale and appearance at supplier discretion
- $\triangle D$  Hall element, not to scale

## Package UA, 3-Pin SIP



## Revision History

Number	Date	Description
–	February 23, 2018	Initial release
1	January 16, 2019	Minor editorial updates
2	January 22, 2020	Minor editorial updates

Copyright 2020, Allegro MicroSystems.

Allegro MicroSystems reserves the right to make, from time to time, such departures from the detail specifications as may be required to permit improvements in the performance, reliability, or manufacturability of its products. Before placing an order, the user is cautioned to verify that the information being relied upon is current.

Allegro's products are not to be used in any devices or systems, including but not limited to life support devices or systems, in which a failure of Allegro's product can reasonably be expected to cause bodily harm.

The information included herein is believed to be accurate and reliable. However, Allegro MicroSystems assumes no responsibility for its use; nor for any infringement of patents or other rights of third parties which may result from its use.

Copies of this document are considered uncontrolled documents.

For the latest version of this document, visit our website:

[www.allegromicro.com](http://www.allegromicro.com)

## X-ON Electronics

Largest Supplier of Electrical and Electronic Components

*Click to view similar products for [Board Mount Hall Effect/Magnetic Sensors](#) category:*

*Click to view products by [Allegro](#) manufacturer:*

Other Similar products are found below :

[HGPRDT005A](#) [AH1894-FA-7](#) [AH277AZ4-AG1](#) [AV-10448](#) [SS41C](#) [AH1894-Z-7](#) [TLE4917](#) [TLE4946-1L](#) [TLE4976L](#) [SS85CA](#)  
[BU52003GUL-E2](#) [AH277AZ4-BG1](#) [AH3376-P-B](#) [TLE4941](#) [TLE4945-2L](#) [AH3360-FT4-7](#) [TLE4941-1](#) [AH374-P-A](#) [SS41-JL](#) [AH1913-W-7](#)  
[AH3373-P-B](#) [MA732GQ-Z](#) [MA330GQ-Z](#) [S-57K1NBL2A-M3T2U](#) [S-57P1NBL9S-M3T4U](#) [S-576ZNL2B-L3T2U](#) [S-576ZNL2B-A6T8U](#) [S-](#)  
[57P1NBL0S-M3T4U](#) [S-57A1NSL1A-M3T2U](#) [S-57K1RBL1A-M3T2U](#) [S-57P1NBH9S-M3T4U](#) [S-57P1NBH0S-M3T4U](#) [S-57A1NSH1A-](#)  
[M3T2U](#) [S-57A1NSH2A-M3T2U](#) [S-57K1NBH1A-M3T2U](#) [S-57A1NNL1A-M3T2U](#) [S-5701BC11B-L3T2U5](#) [S-57GNNL3S-A6T8U](#) [S-](#)  
[57TZ1L1S-A6T8U](#) [S-57GSNL3S-A6T8U](#) [S-5716ANDH0-I4T1U](#) [S-57GSNL5S-L3T2U](#) [S-57GDNL3S-L3T2U](#) [S-57GNNL3S-L3T2U](#) [S-](#)  
[57RBNL8S-L3T2U](#) [S-57RBNL9S-A6T8U](#) [S-57RB1L8S-L3T2U](#) [S-57GDNL5S-L3T2U](#) [S-57RBNL9S-L3T2U](#) [S-57TZ1L1S-L3T2U](#)