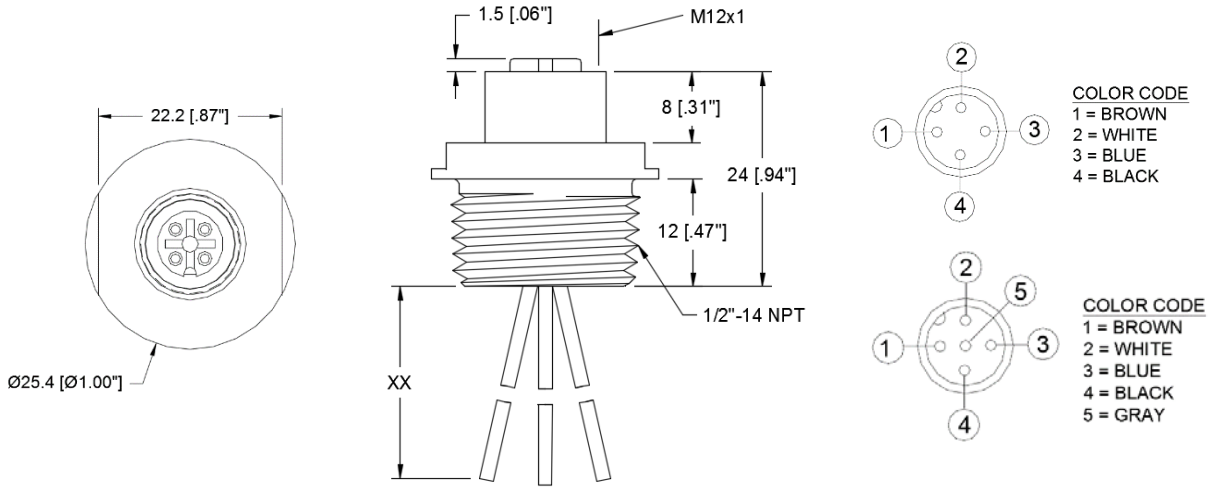


**Drawing**



**Technical Data**

**Mechanical**

Receptacle Style	M12, Female
Applicable Specification	IEC 61076-2-101
Receptacle Threads	Internal
Housing	Aluminum, Anodized Blue, Leads Epoxy Potted
Insert	Nylon
Contact	Copper Alloy, Gold Plated
Mounting Orientation	1/2" 14-NPT
Panel Nut	Nickel Plated Brass
O-Ring	FKM

**Electrical**

<b>Contact Resistance</b>	≤ 5 mΩ
Nom. Current @ 40°C	4 A
Rated Voltage	4 Pole 250 V (IEC) 300V (UL) 5 Pole 60 V (IEC) 30V (UL)

UL File E485156

**Lead Wires**

AWG	22 AWG (7/30) Tinned Copper
Insulation	PVC
Outside Diameter	0.062" Nominal
<b>Lead Length</b>	0.5 Meters (19.7")
UL Style	AWM 1007 & 1569
CSA Style	TR64

**Environmental**

Issue: 1 Issue Date: 8/8/2016 Effective Date: 8/8/2016

Degree of Protection	IP 67/ NEMA 6P
Operating Temperature Range	-25C (-13F)/ +90C (+194F)
CE	All materials used in the manufacture of this part meet the requirements of European Directive 2011/65/EU regarding the restriction of use of certain hazardous substances in electrical and electronic equipment. Exemption used; 6a.
REACH Regulation (EC 1907/2006)	This product does not contain Substances of Very High Concern (SVHC) listed on the European Union’s REACH candidate list in excess of 0.1% mass of the item.

Ordering Information	Description	Quantity
300ACN NC404	4 Pin	Each
302ACN NC404	5 Pin	Each

Although Alpha Wire (“Alpha”) makes every reasonable effort to ensure their accuracy at the time of this publication, information and specifications described herein are subject to error or omission and to change without notice, and the listing of such information and specifications does not ensure product availability. Alpha provides the information and specification herein on an “AS IS” basis, with no representations or warranties, whether express, statutory or implied. In no event will Alpha be liable any damages (including consequential, indirect, incidental, special, punitive, or exemplary damages) whatsoever, even if Alpha has been advised of the possibility of such damages, whether in an action under contract, negligence or any other theory, arising out of or in connection with the use, or inability to use, the information or specification described herein.

## X-ON Electronics

Largest Supplier of Electrical and Electronic Components

*Click to view similar products for [Sensor Cables / Actuator Cables](#) category:*

*Click to view products by [Alpha manufacturer](#):*

Other Similar products are found below :

[1300070444](#) [43-10984](#) [M83513/19-F01CP](#) [704000D02F120](#) [MDM15SH001K](#) [MDM25PH003BF222](#) [802027107404-1](#) [885030A09M010](#)  
[885030A09M020](#) [1200650174](#) [1200651332](#) [1200651713](#) [1200660171](#) [1200660208](#) [1200660343](#) [1200660804](#) [1200660845](#) [1200660926](#)  
[1200660977](#) [1200661173](#) [1200661354](#) [120066-1712](#) [1200720053](#) [1200720099](#) [1200720153](#) [1200720172](#) [1200720217](#) [1200720226](#)  
[1200720251](#) [1200720285](#) [1200720296](#) [1200720404](#) [1200730148](#) [1200730378](#) [1200800231](#) [1200860112](#) [1200860121](#) [1200860125](#)  
[1200860337](#) [1200860365](#) [1200860420](#) [1200870046](#) [1200870123](#) [1200870248](#) [1200980102](#) [1200660181](#) [1200660183](#) [1200660827](#)  
[1200660849](#) [1200661170](#)