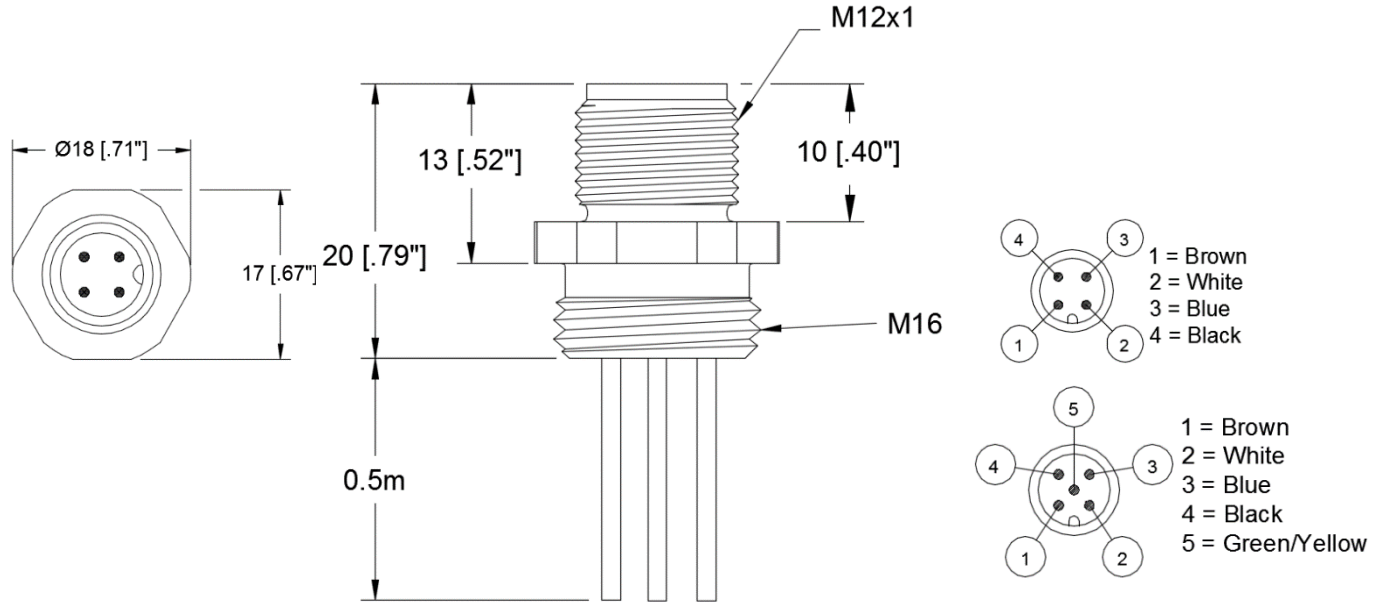


**Drawing**



**Technical Data**

**Mechanical**

|                          |  |
|--------------------------|--|
| Receptacle Style         | M12, Male  |
| Applicable Specification | IEC 61076-2-101  |
| Receptacle Threads       | External   |
| Housing                  | Stainless Steel  |
| Insert                   | BPT  |
| Contact                  | Copper Alloy, Gold Plated                                  |
| Mounting Orientation     | Front  |
| Panel Nut                | Stainless Steel  |
| O-Ring                   | EPDM   |
| <b>Electrical</b>        |  |
| Contact Resistance       | ≤ 5 mΩ   |
| Nom. Current @ 40°C      | 4 A  |
| Rated Voltage            | 4 Pole 250 V (IEC) 300V (UL)<br>5 Pole 60 V (IEC) 30V (UL) |
| UL File                  | E485156  |
| <b>Lead Wires</b>        |  |
| AWG                      | 22 AWG (7/30) Tinned Copper<br>(20 AWG for Green/Yellow)   |
| Insulation               | PVC  |
| Outside Diameter         | 0.062" Nominal   |

Issue: 1 Issue Date: 8/8/2016 Effective Date: 8/8/2016

|                                 |  |
|---------------------------------|--|
| <b>Lead Length</b>              | 0.5 Meters (19.7")   |
| UL Style                        | AWM 1007 & 1569  |
| CSA Style                       | TR64   |
| <b>Environmental</b>            |  |
| Degree of Protection            | IP 67 / NEMA 6P (IP67 / IP69K for 308DCFS)   |
| Operating Temperature Range     | -25C (-13F)/ +70C (+158F)  |
| CE                              | All materials used in the manufacture of this part meet the requirements of European Directive 2011/65/EU regarding the restriction of use of certain hazardous substances in electrical and electronic equipment. Exemption used; 6a. |
| REACH Regulation (EC 1907/2006) | This product does not contain Substances of Very High Concern (SVHC) listed on the European Union's REACH candidate list in excess of 0.1% mass of the item.   |

| Ordering Information | Description                 | Quantity |
|----------------------|-----------------------------|----------|
| 305DCFS NC404        | 4 Pin                       | Each     |
| 307DCFS NC404        | 5 Pin                       | Each     |
| 308DCFS NC404        | 5 Pin – Circuit Board Mount | Each     |

Although Alpha Wire ("Alpha") makes every reasonable effort to ensure their accuracy at the time of this publication, information and specifications described herein are subject to error or omission and to change without notice, and the listing of such information and specifications does not ensure product availability. Alpha provides the information and specification herein on an "AS IS" basis, with no representations or warranties, whether express, statutory or implied. In no event will Alpha be liable any damages (including consequential, indirect, incidental, special, punitive, or exemplary damages) whatsoever, even if Alpha has been advised of the possibility of such damages, whether in an action under contract, negligence or any other theory, arising out of or in connection with the use, or inability to use, the information or specification described herein.

## X-ON Electronics

Largest Supplier of Electrical and Electronic Components

*Click to view similar products for [Sensor Cables / Actuator Cables](#) category:*

*Click to view products by [Alpha manufacturer](#):*

Other Similar products are found below :

[60963](#) [60964](#) [703000D02F2002](#) [703001D02F0602](#) [703001D02F300](#) [704000D02F120](#) [773032K02F030](#) [802027107404-1](#) [802027213811-1](#)  
[804001A09M150](#) [805001A09M0502](#) [84914-0235](#) [84914-0237](#) [885030A09M020](#) [8R4J30E03C3003](#) [1200651332](#) [1200651713](#) [1200660844](#)  
[1200660845](#) [1200661173](#) [1200680071](#) [1200720053](#) [1200720081](#) [1200720099](#) [1200720217](#) [1200800231](#) [1200860125](#) [1200870123](#)  
[1200980102](#) [1200650267](#) [1200650298](#) [1200660183](#) [1200660782](#) [1200660849](#) [1200661295](#) [1200661297](#) [1200661342](#) [1200661343](#)  
[1200670080](#) [1200670220](#) [1200680331](#) [1200720252](#) [1200730184](#) [1200860344](#) [1200870359](#) [1200870643](#) [1200980008](#) [1200980031](#)  
[1210502211](#) [1210400542](#)