

---

**ALPHA WIRE COMPANY**  
**CUSTOMER PRODUCT SPECIFICATION**

---

Part Number: 775  
Page 1 of 2 Pages

Issue: 3  
Issue Date: 5/25/2004  
Effective Date: 6/30/2004

---

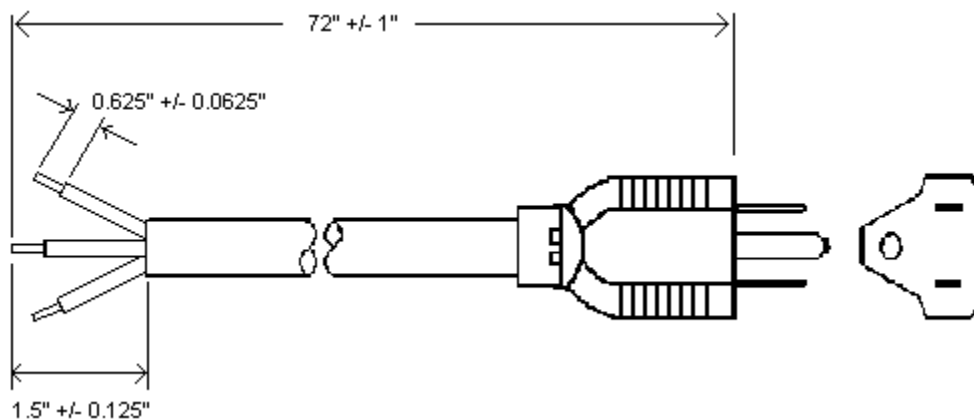
**A. Cordage Construction**

- 1) Conductor
  - a) Material Bare Copper, per ASTM B-3
  - b) AWG, Stranding 18, 41/34; Finer stranding may be used.
  
- 2) Insulation
  - a) Material Rubber
  - b) Min. Avg. Wall Thickness 0.015
  - c) Nominal Diameter 0.077
  
- 3) Core Assembly
  - a) Number of Conductors 3
  - b) Color Code Black, White & Green/Yellow or Black, White & Green within Munsell® Component extended limits of deviation.  
*[Note: The stripe of the Green/Yellow insulation shall be 50% +/- 20%.]*
  - c) Fillers Optional
  - d) Separator Tissue Paper
  
- 4) Jacket
  - a) Material Rubber
  - b) Surface Finish Smooth, non-striated
  - c) Min. Avg. Wall Thickness 0.030
  - d) Nominal Diameter 0.260
  - e) Color Black; within Munsell® Component limits of deviation
  - f) UL, CSA Type SV\*\*, Minimum
  - g) Jacket Marking Per UL Standard 62 and CSA C22.2 No. 49.

\*\* Cordage Types with a UL/CSA rating greater than Type SV may be substituted.

**B. Cord Configuration**

- 1) End 1 Molded Vinyl Grounding Plug, NEMA 5-15P
- 2) End 2 Jacket Stripped 1.5" +/- .125"  
Insulation Stripped 0.625" +/- 0.0625"
- 3) Mold Color Black
- 4) Overall Length 72" +/- 1"



---

**ALPHA WIRE COMPANY**  
**CUSTOMER PRODUCT SPECIFICATION**

---

**Part Number: 775**  
**Page 2 of 2 Pages**

**Issue: 3**  
**Issue Date: 5/25/2004**  
**Effective Date: 6/30/2004**

---

**C. Industry Approvals and Ratings**

- |                       |                  |
|-----------------------|------------------|
| 1) UL                 | UL Standard 817  |
| 2) CSA                | CSA C22.2 No. 21 |
| 3) Voltage Rating     | 125 Vrms         |
| 4) Current Rating     | 10 Amps          |
| 5) Temperature Rating | 60°C, Minimum    |

## X-ON Electronics

Largest Supplier of Electrical and Electronic Components

*Click to view similar products for [AC Power Leads](#) category:*

*Click to view products by [Alpha manufacturer](#):*

Other Similar products are found below :

[62500-1774](#) [1300000023](#) [312033-01](#) [YP-61+YC12](#) [P28818-M2](#) [YP21A+YC13](#) [FTP-629Y603](#) [1702002600](#) [1700001947](#) [J2014004L001-CC](#)  
[SHELF](#) [IL13-EU1-H05-3100-300-S](#) [P28976-M45](#) [BB-3271V86](#) [W-97277](#) [W-97278](#) [W-97279](#) [W-97204](#) [W-97895](#) [W-98437](#) [W-98452](#) [W-](#)  
[98453](#) [MWOC-PCA-3-3-2](#) [P29844-M5](#) [P29844-M10](#) [W-99245](#) [W-99246](#) [W-99249](#) [W-99251](#) [W-99252](#) [W-99253](#) [W-99254](#) [W-99257](#) [W-](#)  
[99260](#) [W-99261](#) [W-99262](#) [W-99265](#) [W-99267](#) [W-99269](#) [W-99270](#) [W-99272](#) [W-99280](#) [W-99282](#) [S144720002](#) [S002020062](#) [S007220315](#)  
[S007220344](#) [S007220303](#) [S007220307](#) [P28818-M6](#) [1019123](#)